

Model SZ-460-2S Dual Spring Stand

Safety

Bright orange, powder coated legs allow the SZ-460-2S sign stand to be seen from highways to city sidewalks.

Visibility

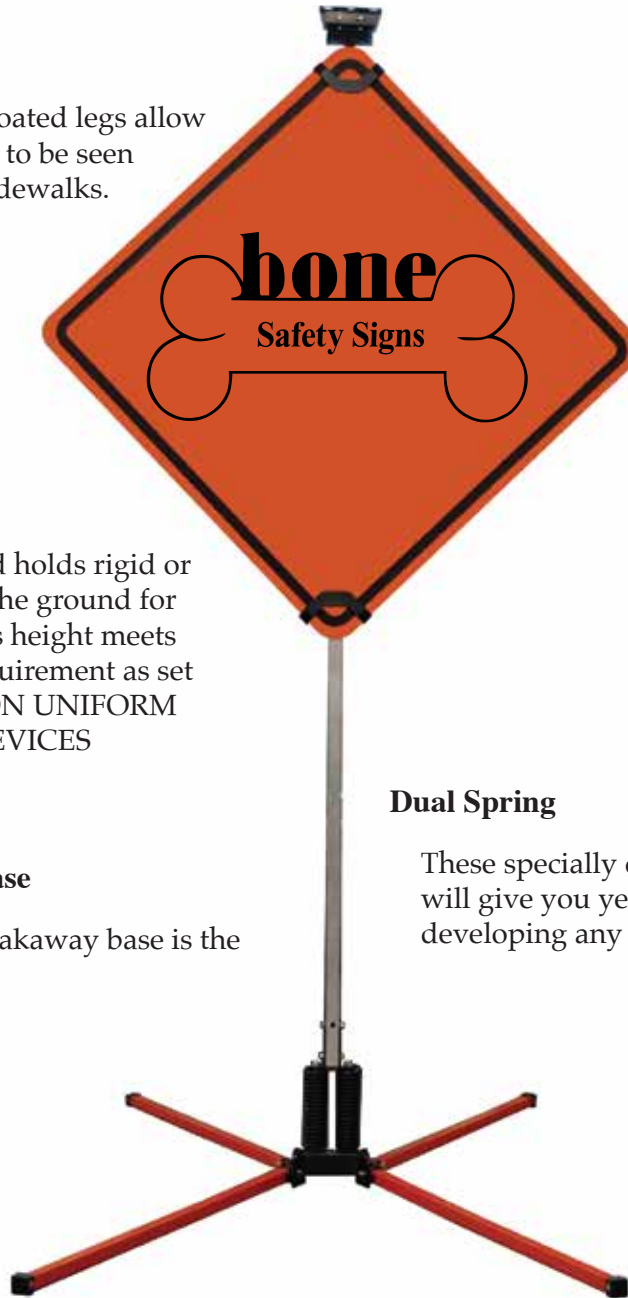
The SZ-460-2S sign stand holds rigid or roll-up signs 60" above the ground for maximum visibility. This height meets the minimum height requirement as set forth in the MANUAL ON UNIFORM TRAFFIC CONTROL DEVICES (MUTCD).

Crash Test Breakaway Base

The SZ-460-2S's new breakaway base is the first of its kind.

Dual Spring

These specially designed heavy-duty springs will give you years of use without developing any memory or sag.



The SZ-460-2S meets NCHRP-350 crashworthiness guidelines

FEATURES



Easy Storage

Measuring 9" x 12" x 66" when folded for storage, the SZ-460-2S specially engineered to weight only 42 lbs when rigid mast and both sign brackets are attached.



Bolt on Mast

Bolt on telescoping mast accepts rigid and roll-up sign.

Pull Pin/Kick Release Levers

The dual pull pin/kick release lever allows each leg to be deployed by either pulling the pin by hand or by stepping on the kick release at the user's option.

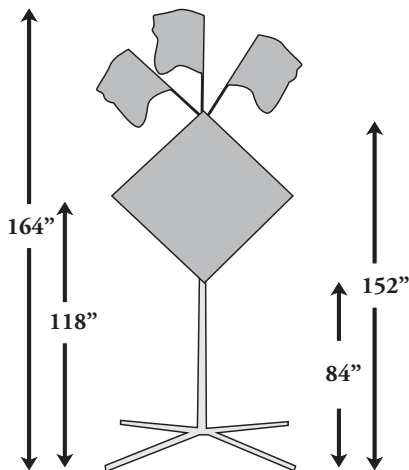
Nut and Bolt Construction

Readily available replacement parts and simple nut and bolt construction allow for fast repairs for worn or damaged parts. Component parts can be replaced easily in the field, using simple hand tools!

DIMENSIONS

SZ-460-2S Overall Dimensions (in the first position)

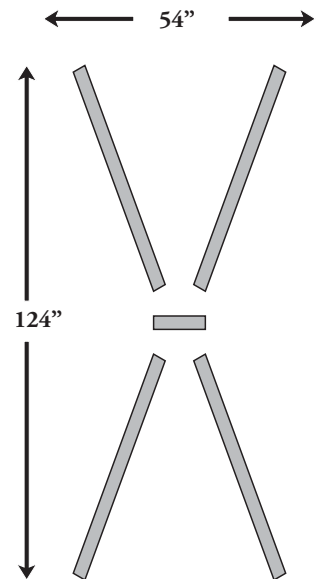
SZ-460-2S Footprint (in the first position)



Shown with optional flag assembly

Folding Dimensions:

Height: 66"
 Weight: 55 lbs.w/ rigid Brkt.
 Area: 9" x 12" x 66"
 Storage: 5 cubic ft.



Covered by U.S. patents #4,426,800 & 4,888,894. Other patents pending.