

SafeZone Series

Safety Products for Temporary Traffic Control



Model SZ-412-X Springless Stand

Safety

Bright orange, powder coated legs allow the SZ-412-X sign stand to be seen from highways to city sidewalks.

Nut and Bolt Construction

Readily available replacement parts and simple nut and bolt construction allow for fast repairs for worn or damaged parts. Component parts can be replaced easily in the field, using simple hand tools!

Visibility

The SZ-412-X sign stand holds roll-up signs 12" inches above the ground for maximum visibility. This height meets the minimum height requirement as set forth in the MANUAL ON UNIFORM TRAFFIC CONTROL DEVICES (MUTCD).

Ease of Use

The SZ-412-X has a single attachment point to hold and display the roll-up signs, making it quick, simple.... and easy to use! Non telescoping, fixed length legs for quick, simple setup.



The SZ-412-X meets NCHRP-350 crashworthiness guidelines



Crash Test Breakaway Base

The SZ-412-X's breakaway base has been designed, if impacted, to rotate 90 degrees to the ground causing no damage to the undercarriage of the impacting vehicle.

FEATURES



Compact & Lightweight

Measuring 6.5" x 7" x 51" when folded for storage, the SZ-412-X sign stand requires a minimum of space on your vehicle... and, at just 20 lbs, it's easy to carry for setup and deployment of your roll-up or rigid signs!



Pull Pin/Kick Release Levers

The dual pull pin/kick release lever allows each leg to be deployed by either pulling the pin by hand or by stepping on the kick release at the user's option.



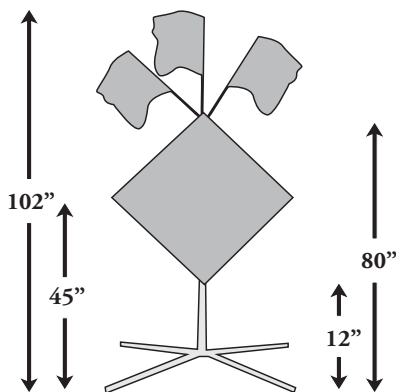
Roll-Up Bracket

Roll-Up bracket for roll-up signs.

DIMENSIONS

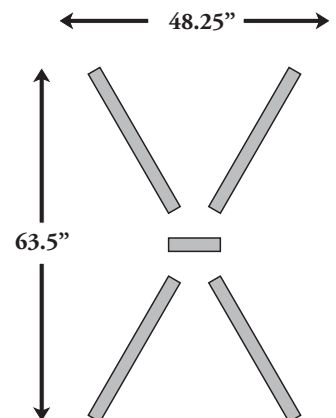
SZ-412-X Overall Dimensions (in the first position)

SZ-412-X Footprint (in the first position)



Folding Dimensions:

Height: 51"
Weight: 20 lbs.
Area: 6.5" x 7" x 51"
Storage: 1.33 cubic ft.



For maximum wind resistance: All four (4) legs must be in the down and locked position when using either 36" x 36" or 48" x 48" roll-up signs

Meets NCHRP-350 requirement. (WZ-324)