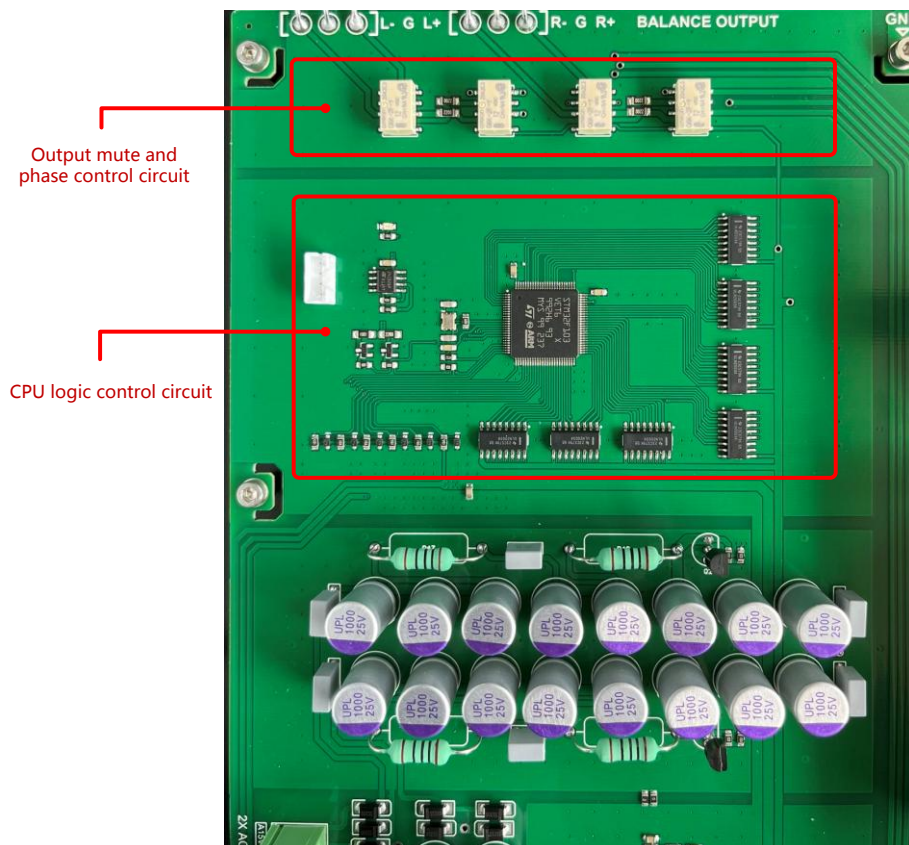
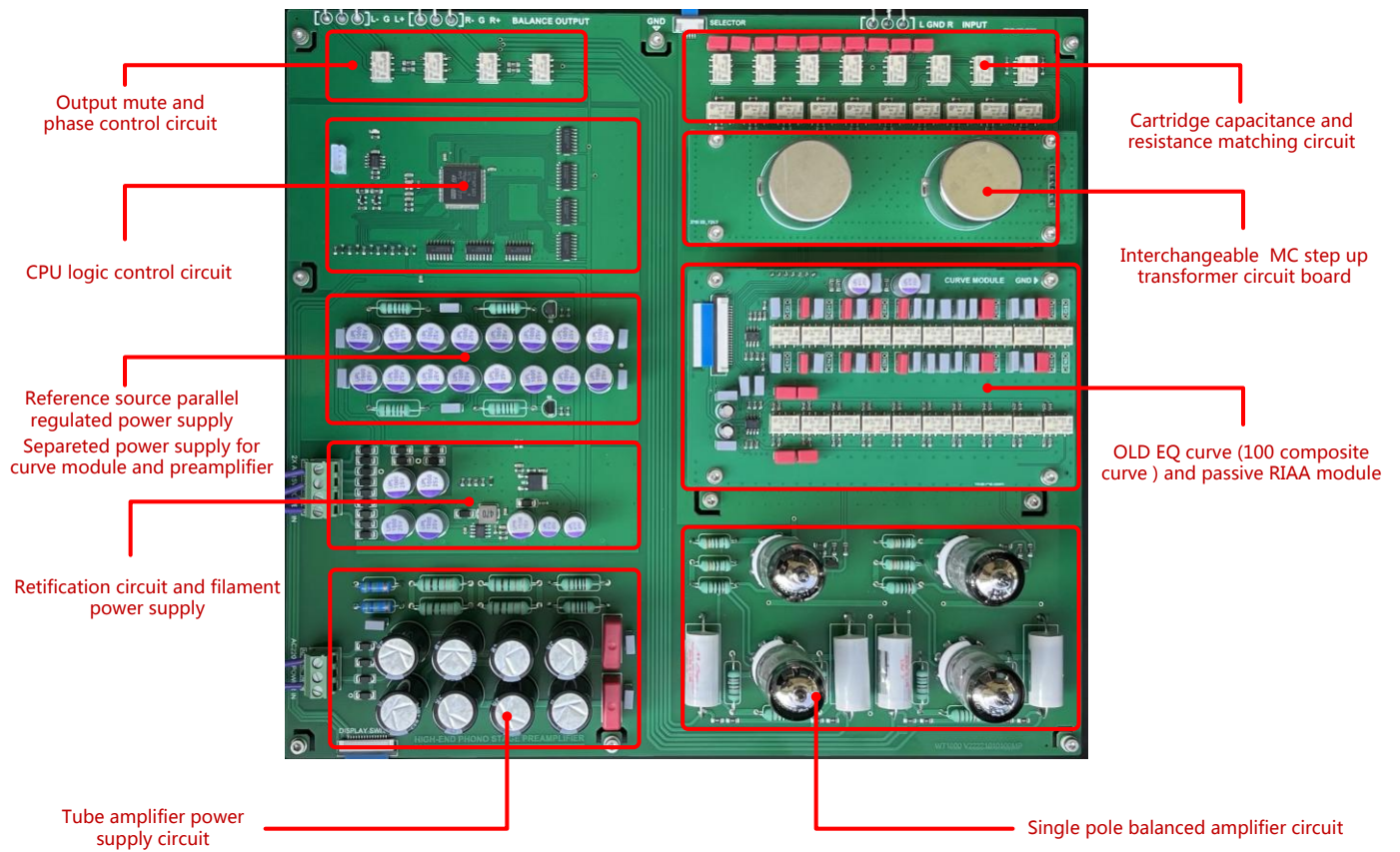


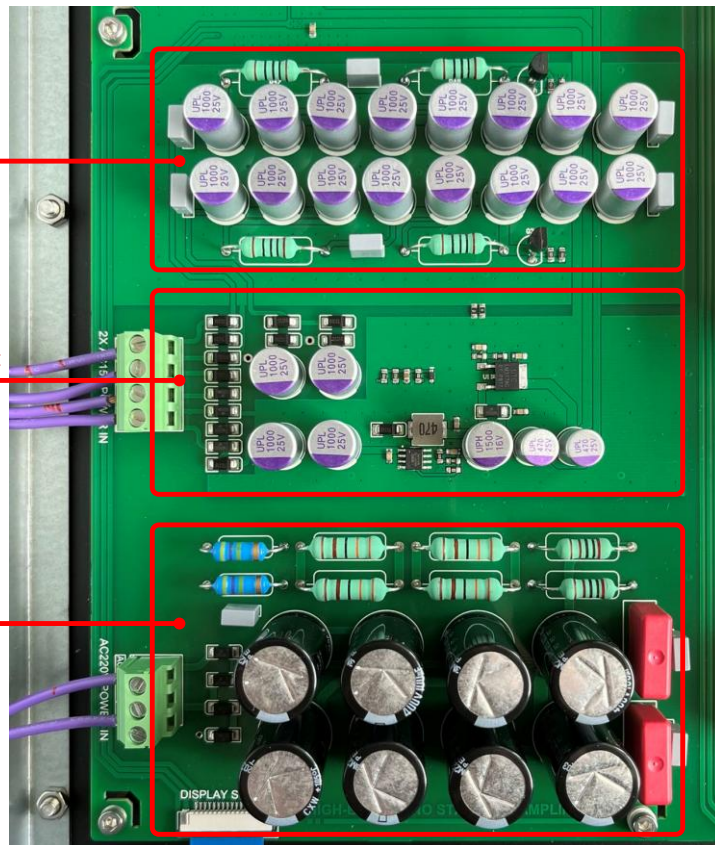
Wonder Audio Labs P1 Technical Feature



Reference source parallel regulated power supply

Rectification circuit and filament power supply

Tube amplifier power supply circuit



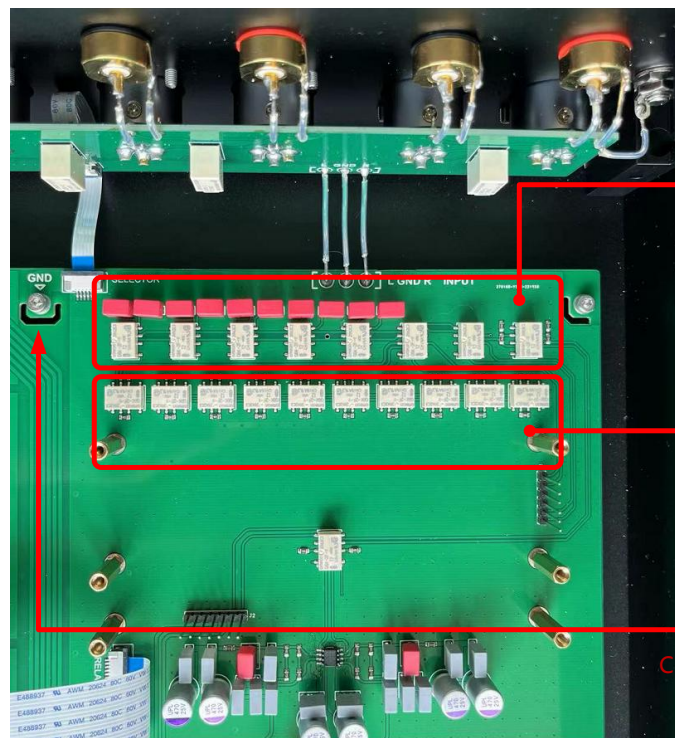
Cartridge capacitance matching circuit

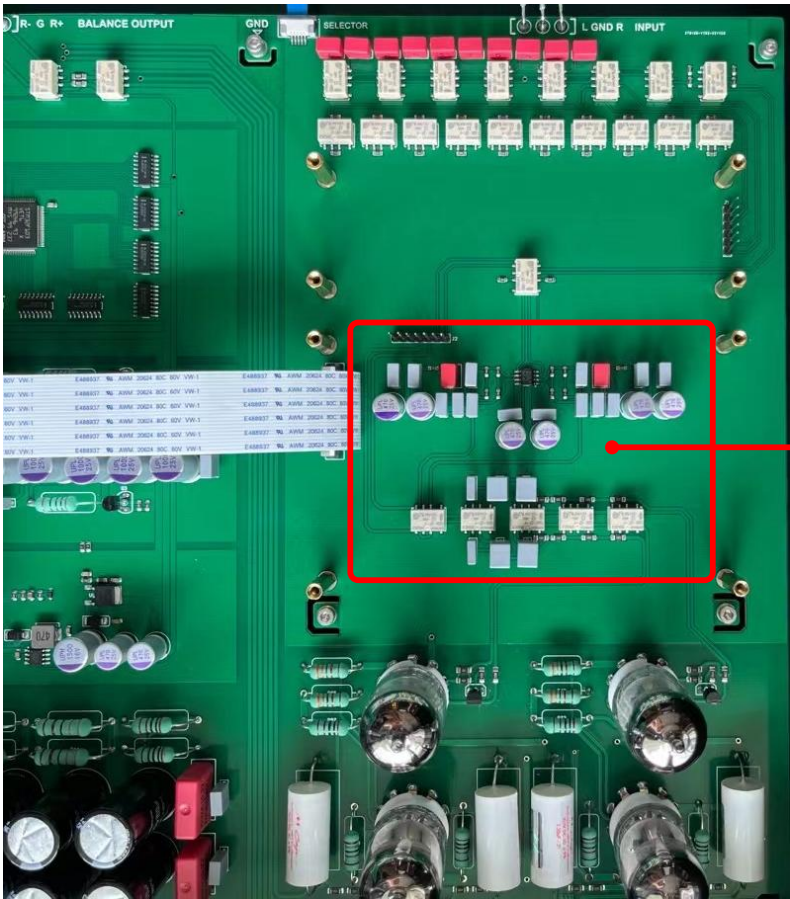
Matching capacitance up to 32 levels adjustable from 0pF—1800pF

Cartridge resistance matching circuit

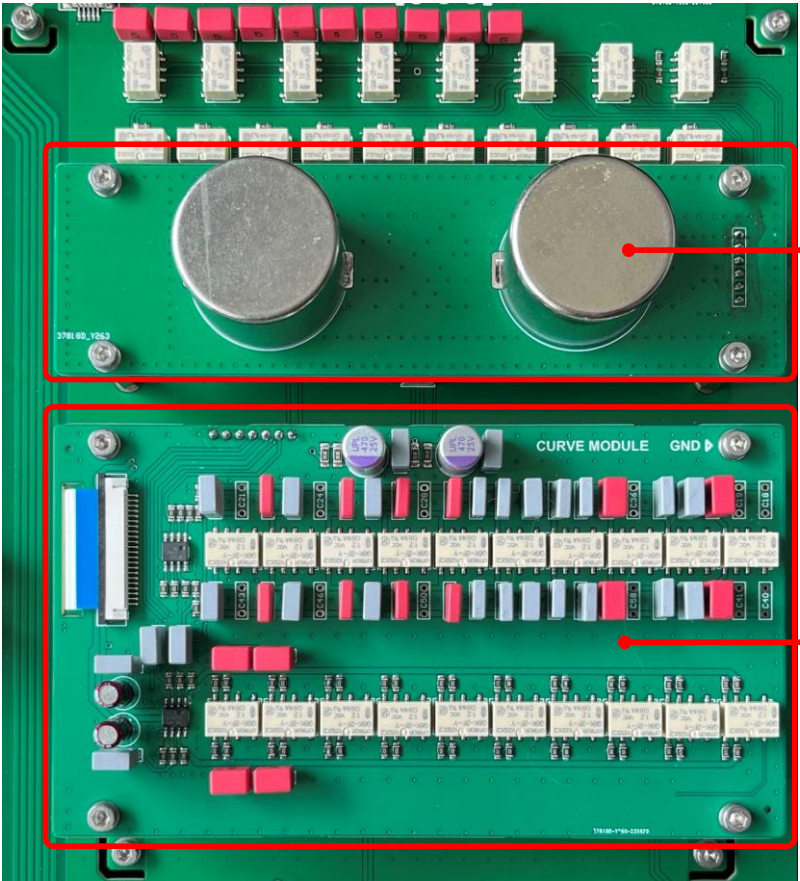
Matching resistance up to 1000 levels adjustable from 10—1019 Ohm

Circuit board shockproof treatment



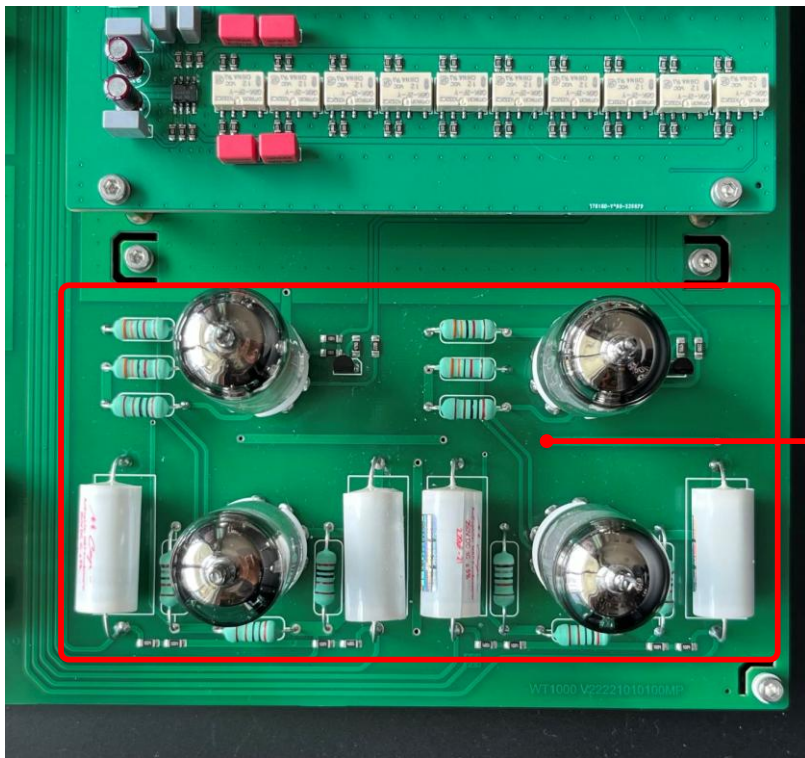


Active RIAA circuit

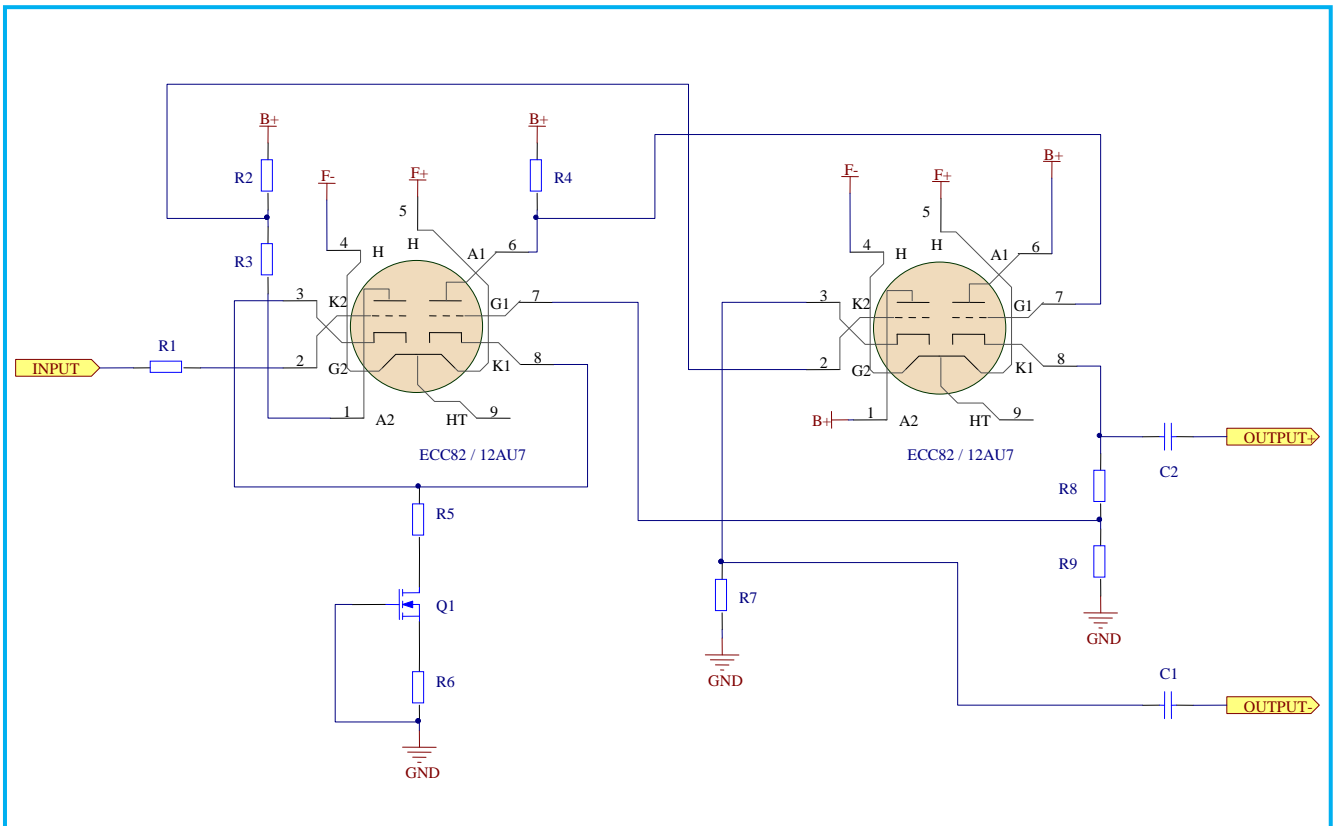


Interchangeable MC step up transformer circuit board

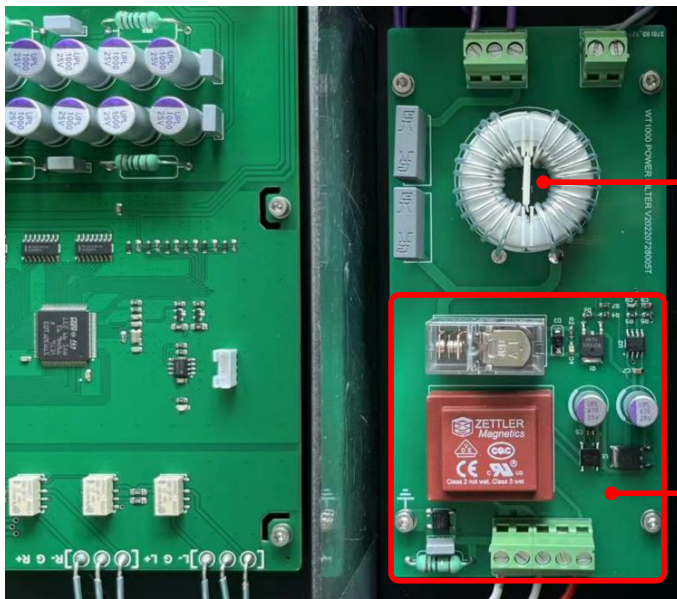
OLD EQ curve (100 composite curve) and passive RIAA module



Single pole balanced amplifier circuit



Single pole balanced amplifier circuit schmetic



99.99% pure silver wire common mode choke

AC power switch control circuit



Wonder Audio Labs designe step up transformer

High-End grade in out put connector



