

C8000 Parts Diagram

April 2024

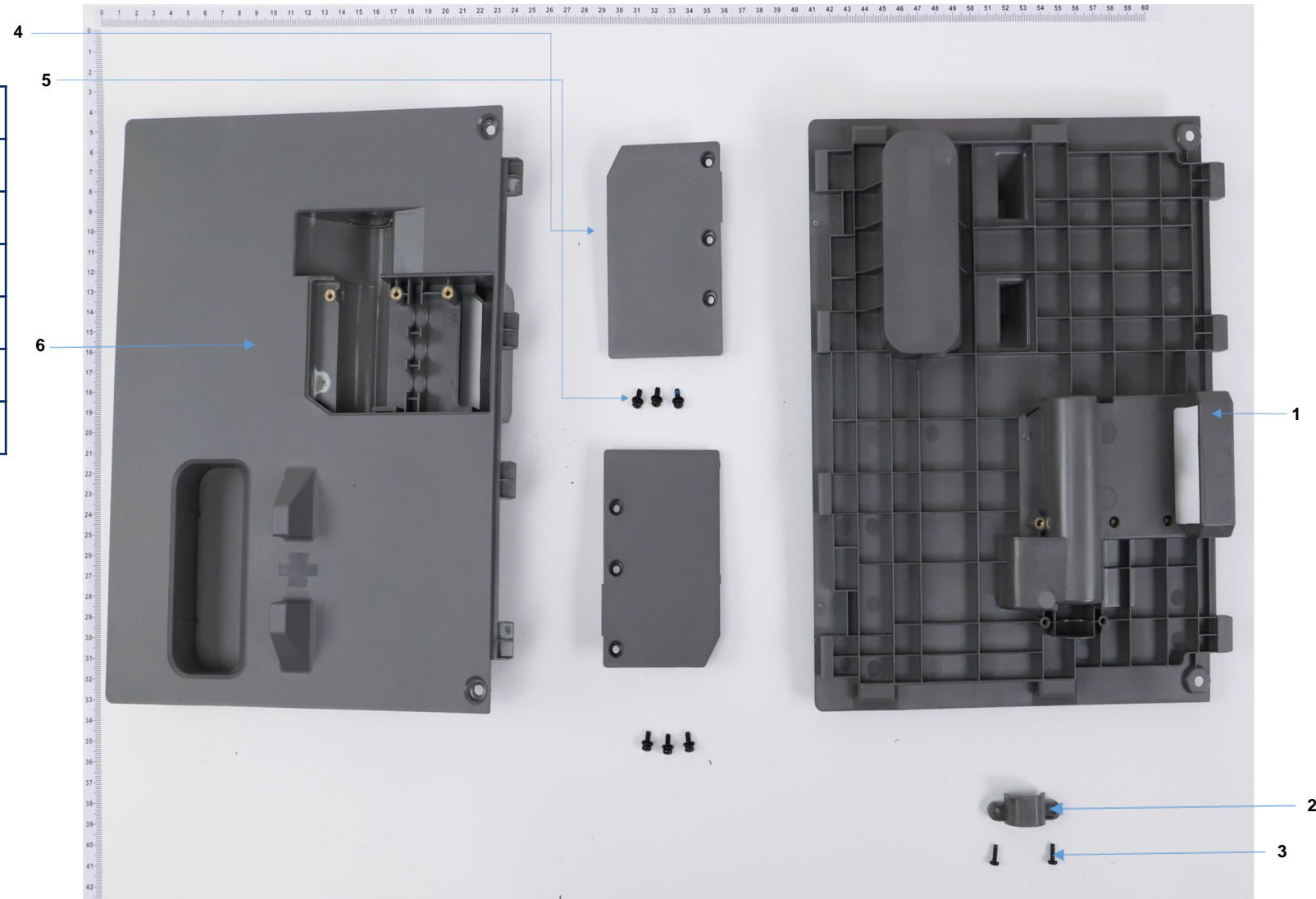
RANTIZO[®]

Confidential: Do Not Distribute



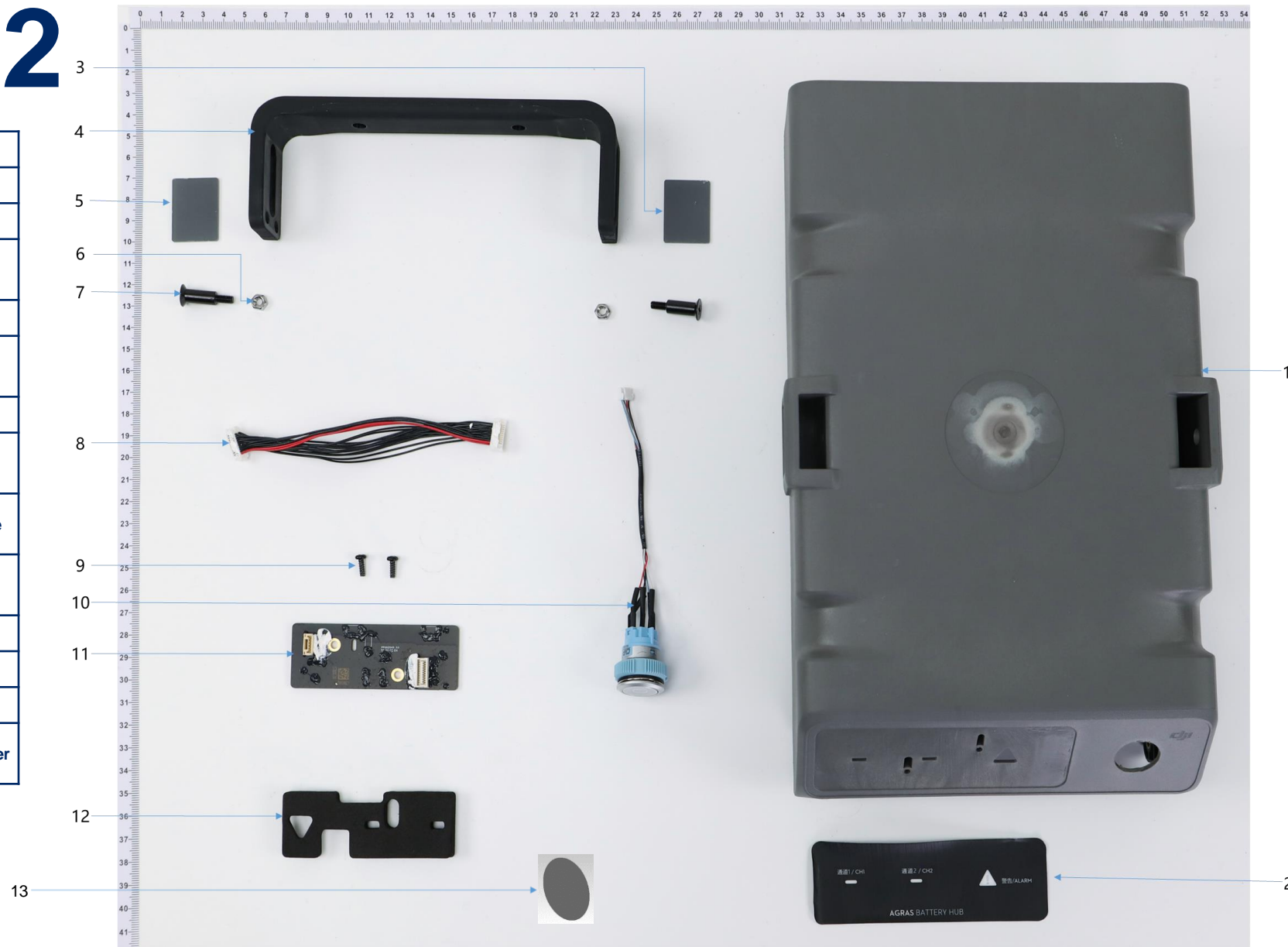
C8000 Part 1

No.	Material Number	Material Name
1	YC.JG.ZS000937	Battery Station Sideboard
2	YC.SJ.WS002329	Charger Side Plate B
3	YC.WJ.LL000217	T30-PR00800080-055020-3125-Y
4	YC.JG.ZS000935	Battery Cable Cover Plate
5	YC.WJ.LL000215	M3 x 8 Black Screw with Screw
6	YC.JG.ZS000937	Battery Station Sideboard



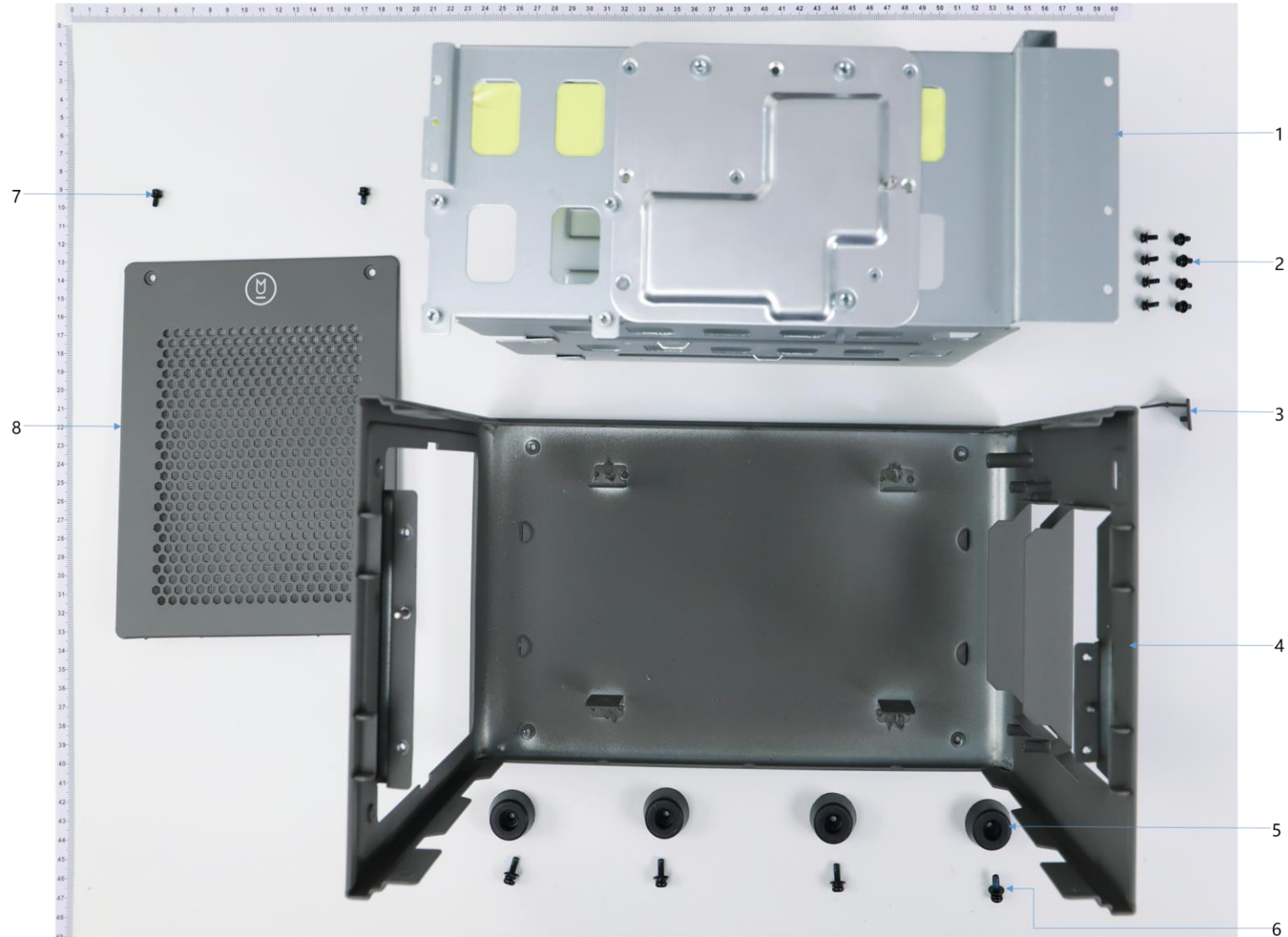
C8000 Part 2

No.	Material Number	Material Name
1	YC.JG.ZS000936	Charger Upper Cover
2	YC.JG.MQ000550	Panel Indicator Tape
3	YC.JG.MQ000615	Handle Screw Shielding Piece
4	YC.XJ.QT000174	Charger Handle
5	YC.JG.MQ000615	Handle Screw Shielding Piece
6	YC.WJ.LM000042	M40-HX070032-0223
7	YC.WJ.ZZ002715	Charger Handle Fixing Pin
8	YC.XC.XX000703	LED Board Communication Cable
9	YC.WJ.LL000217	T30-PR00800080-055020-3125-Y
10	YC.XC.XX000724	Battery Station Switch
11	BC.AG.PP000176	Chargers LED Board
12	YC.JG.MQ000551	LED Shading Cotton
13	YC.JG.MQ000822	Battery Station Upper Cover Sticker



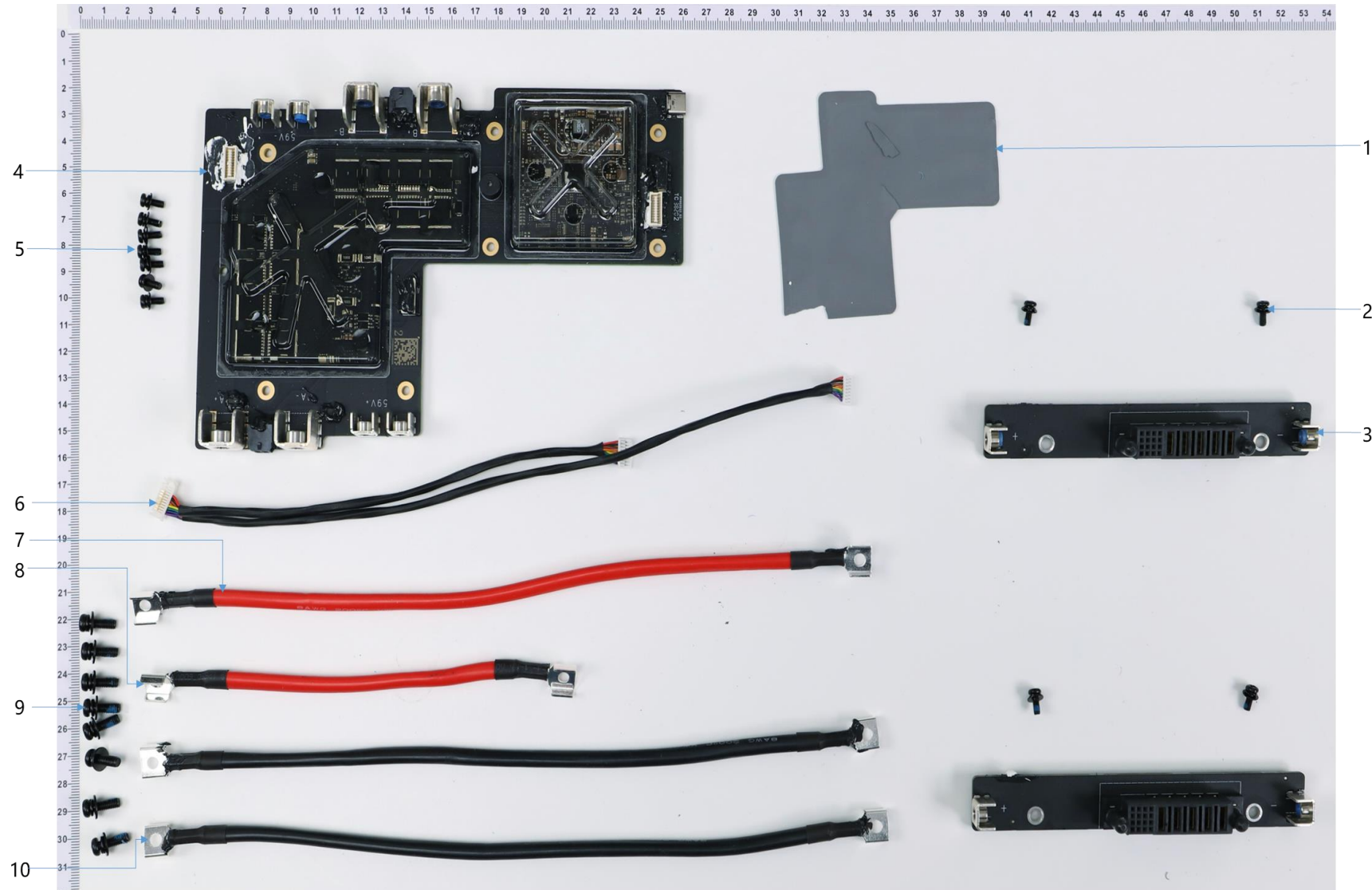
C8000 Part 3

No.	Material Number	Material Name
1	YC.JG.BJ000534	Battery Station Module Bracket
2	YC.WJ.LL000215	M3 x 8 Black Screw with Screw
3	YC.XJ.QT000175	Charger Type-C Silicone Rubber Stopper
4	YC.JG.BJ000532	Battery Station U-Type Frame
5	YC.SJ.WS002365	Charger Landing Gear Pad
6	YC.WJ.LL000214	M4*12 Black Screw with Pad
7	YC.WJ.LL000215	M3 x 8 Black Screw with Screw
8	YC.JG.BJ000556	Battery Station Heat Sink



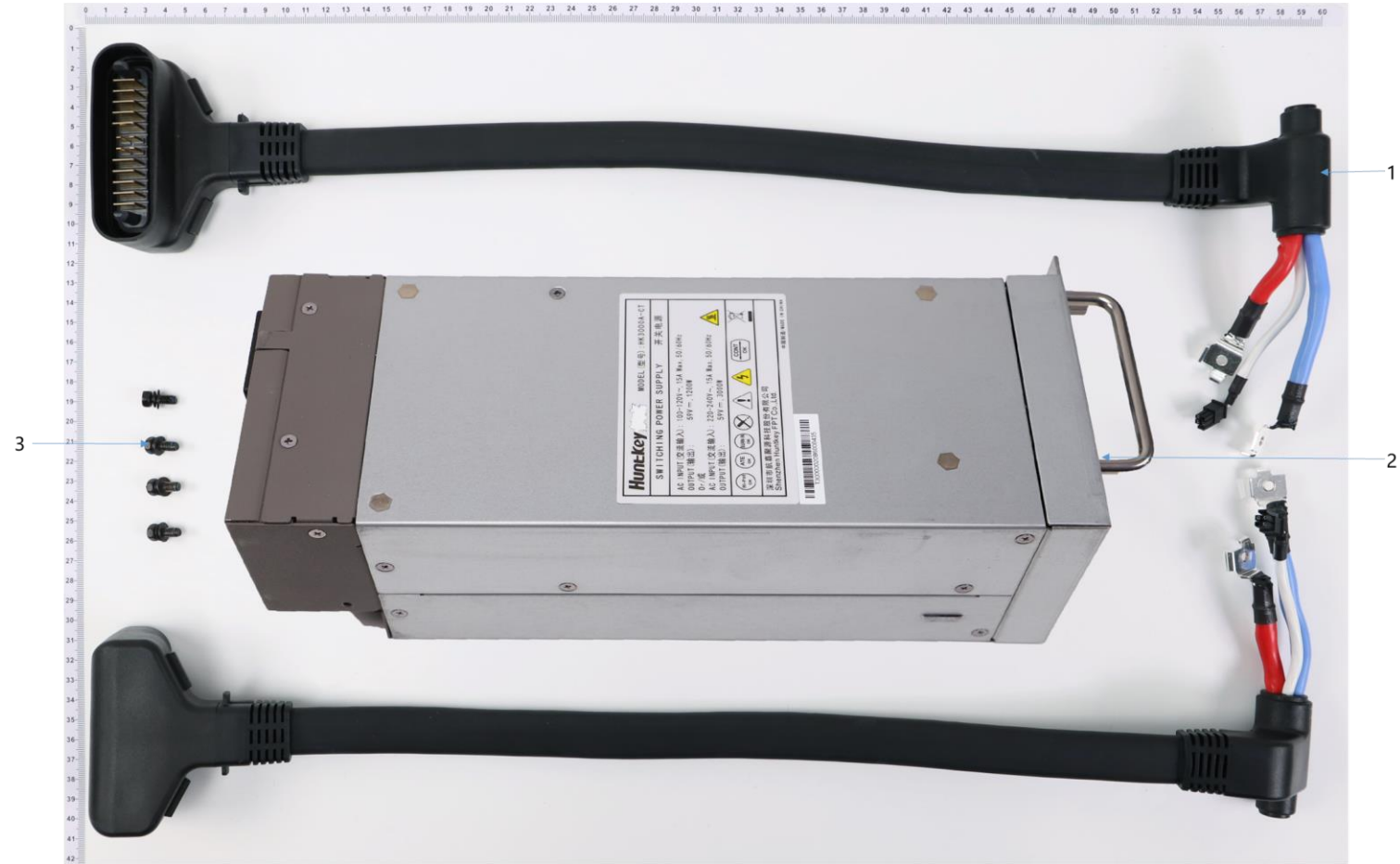
C8000 Part 4

No.	Material Number	Material Name
1	YC.JG.MQ000549	Battery Station Board Thermal Pad
2	YC.WJ.LL000215	M3 x 8 Black Screw with Screw
3	BC.AG.PP000204	Power Module Adapter
4	BC.AG.SS000405	T30 Battery Station Board Module
5	YC.WJ.LL000215	M3 x 8 Black Screw with Screw
6	YC.XC.XX000720	T30 Power Module Communication Cable
7	YC.XC.DD000455	Battery Station Positive Polar Cable (280 mm)
8	YC.XC.DD000451	Battery Station Positive Polar Cable (150 mm)
9	YC.WJ.LL000214	M4*12 Black Screw with Pad
10	YC.XC.DD000452	Battery Station Negative Polar Cable (280 mm)



C8000 Part 5

No.	Material Number	Material Name
1	YC.XC.DD000453	T30 Battery Charging Cable
2	YC.DZ.BC000062	T30/T10 Battery Station Power Module (JWY)
3	YC.WJ.LL000214	M4*12 Black Screw with Pad



C8000 Final Product



Contact Support

Web

www.Rantizo.com

Email

Support@Rantizo.com

Phone

(319) 201-3020 (ext. 2)

LinkedIn

[@RantizoSprays](#)

Facebook

[@RantizoSprays](#)



Thank you.
