

Welcome to your **Click & Grow 25!**

**A farmers market in
your home.**



Growing our own food drastically improves our connection with nature, our mental and physical wellbeing. We believe it is the future of food and your new Click & Grow 25 is a pioneering milestone in it. We're excited to welcome you on a journey that changes how we eat and how we relate to nature. Happy growing!

Mattias Lepp

Founder and CEO of Click & Grow

A handwritten signature in black ink, reading "Mattias Lepp". The signature is fluid and cursive, with a long horizontal flourish extending to the right.

Using

Introduction	5
Recommended plants	6
Using Grow Flow™ trays	7
Continuous growing and harvesting	8
Tips for growing greens	10
Using the App	11
Our community	12

Setup

Specifications	13
List of parts	14
Assembly instructions	15
Stacking Click & Grow 25 units	21
Replacing the water sensor battery	26
Warranty	27

Introduction

The Click & Grow 25 enables you to enjoy a continuous harvest of fresh, nutritious leafy vegetables in your meals. Growing with us, you'll be taking a fruitful step towards a healthier and more sustainable diet.

The Click & Grow 25 works as simply as a capsule coffee machine, only instead of coffee pods, you use our specially developed Smart Soil plant pods. Coupled with the lighting and watering system they automatically control everything plants need for accelerated growth, superior nutrient content, and amazing taste.

Key features



Weekly harvest



Automatic watering



Modular



Automatic lighting



App-controlled

Using your Click & Grow 25

Recommended plants

Your new garden is developed as a pioneering solution for continuously growing and harvesting leafy greens. All of these greens grow at a similar pace - from planting to harvest in just 5 weeks. Using the Grow Flow™ trays, you're free to mix and match your favorite greens within or between trays and plan your growing cycles.

Here are a few healthy recommendations from our selection of greens:



Romaine Lettuce



Red Lettuce



Arugula



Green Sorrel



Red Chard



Pak Choi



Red Pak Choi



Red Kale



Italian Kale



Leaf Mustard

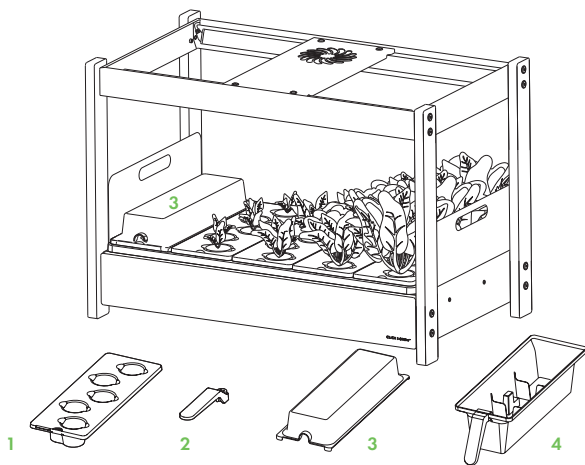
and 15+ more on our website

Although developed with a focus on growing leafy vegetables, the Click & Grow 25 also works perfectly with the rest of the herbs, fruits, and ornamentals in our wide plant pod selection.

Note that these grow slower and are not compatible with the 5 week cycle. We recommend using the Click & Grow app with its Freestyle mode if you want to mix different plant categories.

Using Grow Flow™ trays

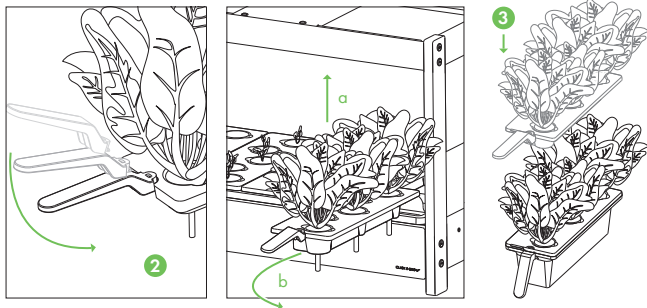
- Your new garden fits 5 trays, each holding 5 plant pods **fig. 1**
- Have all 5 trays covering the water bath at all times to keep debris and light away
- Move trays in and out of the garden with a detachable handle **fig. 2**
- Use the germination cover on a newly planted tray for about a week **fig. 3**
- Plant new pods in the 6th spare tray after you've moved one with a full harvest into a special tray holder **fig. 4**
- We recommend the Click & Grow app to help you with your harvesting schedule, keep track of your plants, and manage tray refills. The app also serves as a watering reminder



Using Grow Flow™ tray holder & handle

1. Fill the tray holder with tap water until indicated level
2. Attach the handle to a harvest-ready tray
3. Place the harvest-ready plants on top of the tray holder

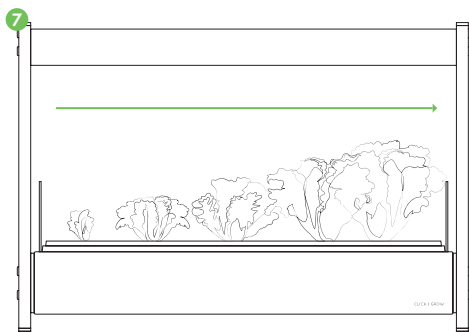
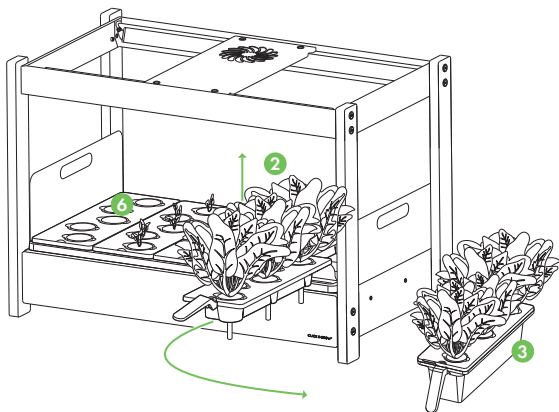
Plants on the tray holder stay fresh for a week and always at hand where you cook. They require no special conditions or grow lights but they're best kept in well-lit places.



Continuous growing and harvesting

1. Fill one tray at a time once per week
2. Remove a tray of mature greens 5 weeks after planting
3. Set them in the tray holder, consume within a week
4. Add water to the garden while making the switch
5. Slide trays sideways to make room for the next

- Plant a new set of plant pods, place the germination cover on top for a week
- Keep a gradual order with younger plants on one and older plants on the other side to avoid overshadowing



Tips for growing greens

Leafy greens prefer growing at a temperature between 64°F to 72°F (18°C to 22°C). Anything out of this range will inhibit germination. The Click & Grow 25 does not control its temperature and humidity so mind the conditions in your room. We recommended placing the device in a well-ventilated room. After growing for 5 weeks a tray full of leafy greens will have reached their best taste and nutrient levels. Remove the tray from the garden and consume within a week.

Always remember not to run out of plant pods and try new varieties! Head to www.clickandgrow.com to replenish your stock or set up our plant pod subscription to have your favorite ones delivered to your doorstep when you wish at a hefty discount.

Lighting

After plugging in the garden, two grow lights turn on automatically and start a cycle of 16 hours on and 8 hours off. You can change the cycle and control lighting through the app once your mobile device is paired with the garden (see page 20).

Watering

If you follow the previously described continuous harvest cycle, you'll need to add up to 170 fl oz (5 L) of water per week. We suggest doing it every time a tray is taken out and a new one planted. You can use tap water. Keep the water bath filled between indicated marks on the inner walls. Additionally, the garden will remind you of low water levels with blinking lights.

Using the App

Key features

The **Click & Grow Official** app connects your garden and tracks the humidity, temperature, and water level to ensure the ultimate growing conditions for your plants. On top of that, it serves as a powerful tool to schedule and organize your harvest.

- Register and track your trays and plants
- Check your harvesting schedule
- Be notified when a tray of greens is fully grown
- Get personalised suggestions based on your growing history
- Receive watering reminders
- Control lights and lighting schedule
- Access Click & Grow plant information

See pairing guide on page 20.

Get the App

clickandgrow.com/app



Our community

Find us on social media:

@clickandgrow      

We would love to see how your plants are growing!

Use **#clickandgrow** when you are posting on social media.

Click & Growers group

Our unique Click & Growers community is the meeting place for indoor gardeners. See what other plant lovers around the world are growing and learn new things about indoor gardening every day.

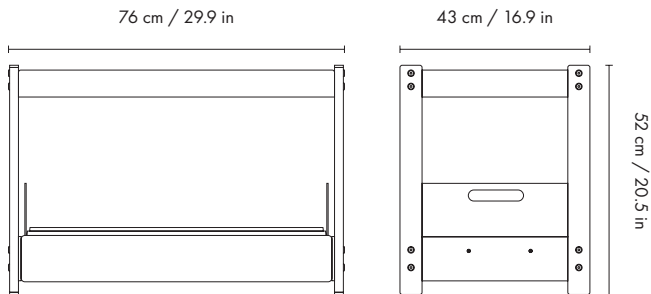
Find **Click & Growers on Facebook**.

'Ask a Gardener' forum

Start a conversation or ask any gardening related question - our own Click & Grow gardeners are always there to help! Head to **gardeners.clickandgrow.com**

Read our latest news, plant care tips & tricks on our blog **clickandgrow.com/blog**

Specifications



Growing capacity

25 plants

Net weight

15 kg / 33 lb

Power

38W total; 15,5W per lamp

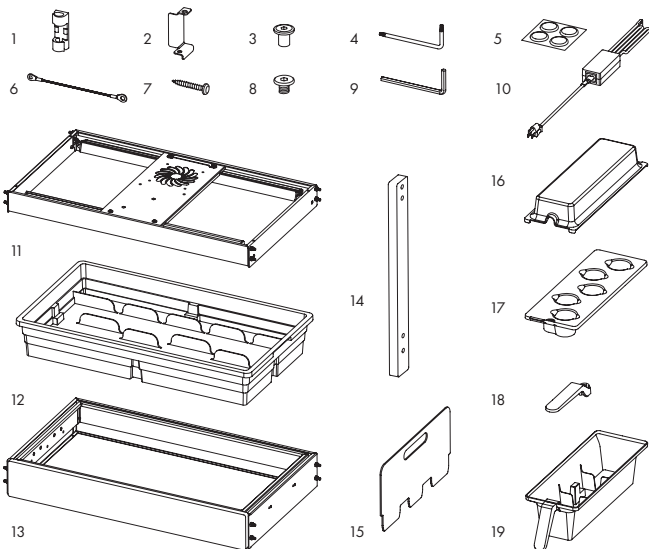
Voltage

220 / 110V

Materials

Steel, wood, plastic

List of parts

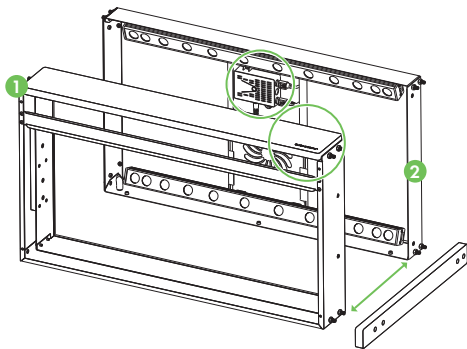


- | | |
|---|-------------------------------------|
| 1. Power cable clamp 2x | 11. Top frame set 1x |
| 2. Stacking clamp 2x left & 2x right | 12. Water bath 1x |
| 3. Nut (for attaching legs to frame) 16x | 13. Bottom frame set 1x |
| 4. L-wrench T10 1x | 14. Wooden leg 4x |
| 5. Self-adhesive pads for legs 4x | 15. Drawer side panel 2x |
| 6. Wall safety fixator 1x | 16. Germination cover 1x |
| 7. Wall safety fixator screw 1x | 17. Grow Flow™ plant tray 6x |
| 8. M4 screw (for stacking clamp) 9x | 18. Plant tray handle 1x |
| 9. L-wrench hex 4 1x | 19. Plant tray holder 1x |
| 10. Power adapter 1x | |

Assembly instructions

Step 1 Getting started

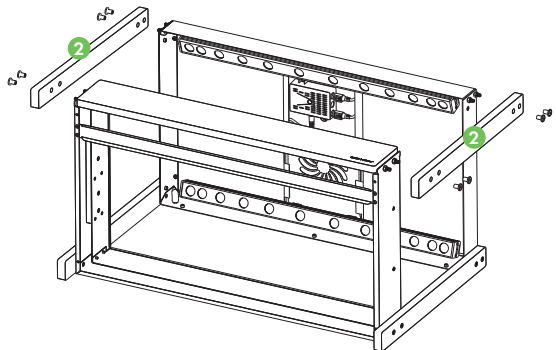
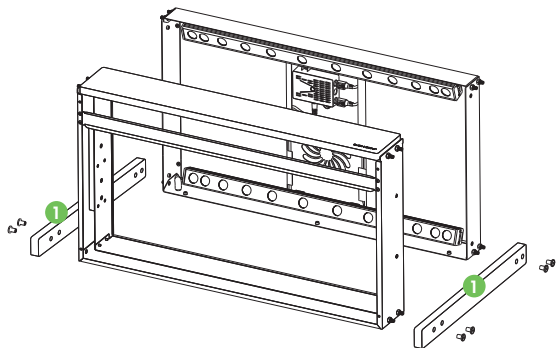
1. Lay the bottom frame assembly on the floor, back side down. Handle with care! Note the logo and the controller unit to help you orientate
2. Lay the top frame assembly on the floor, back side down. Leave a space between the two frames approximately the length of the wooden legs. Handle with care!



Step 2 Installing the legs

1. First, install the rear wooden legs. Fit the rear right and rear left leg to the frame bolts. The legs will fit only one way. Fasten the legs with flat-head nuts, 4 nuts per leg. Tighten the nuts gently, not all the way

2. Install the front wooden legs. Fit the front right and front left leg to the frame bolts. The legs will fit only one way. Fasten the legs with flat-head nuts, 4 nuts per leg. Tighten the nuts gently, not all the way



Nut 16x

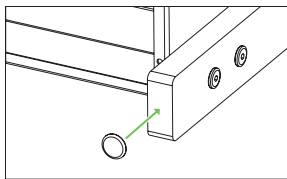


L-wrench hex 4 1x

3. With the legs fitted to the frame, finish by applying the self-adhesive pads under each leg (optional if stacking units)



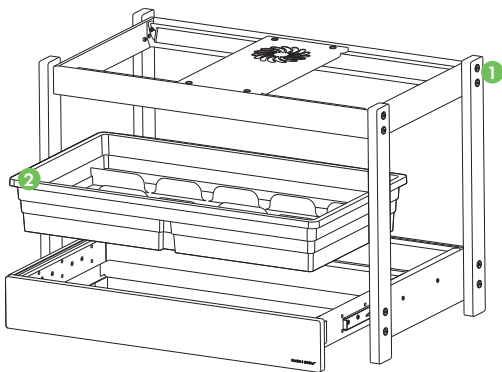
Pads 4x

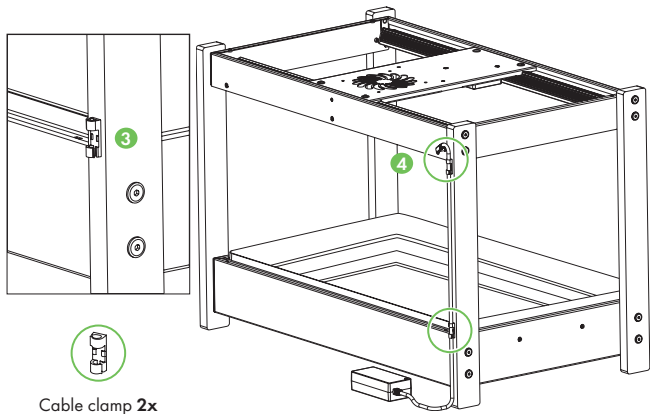


Step 3 Installing the bath & power adapter

1. Place the garden on its legs. Tighten all 16 nuts all the way, using medium force in the end
2. Pull the drawer open and place the bath into the drawer

Do not fill the bath before pairing the water level sensor.

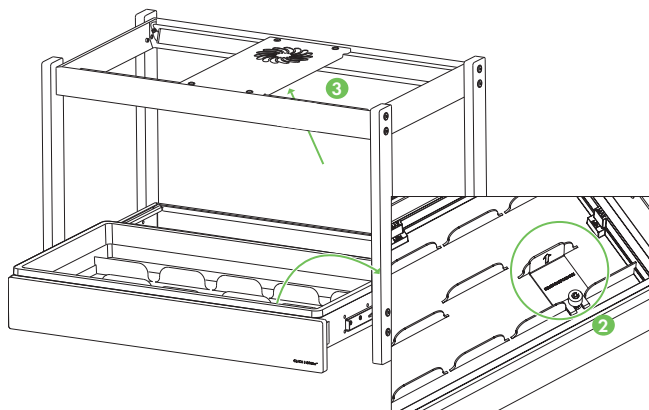




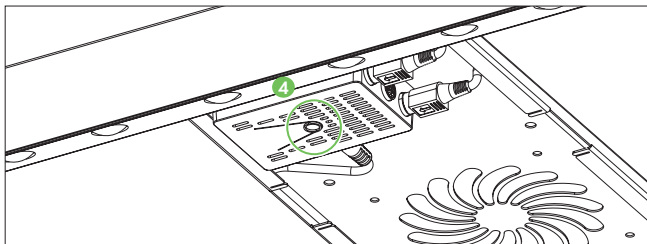
3. Attach two power cable clamps to the backside of the device
4. Connect the power adapter to the garden
5. Thread the power cable through the cable clamps

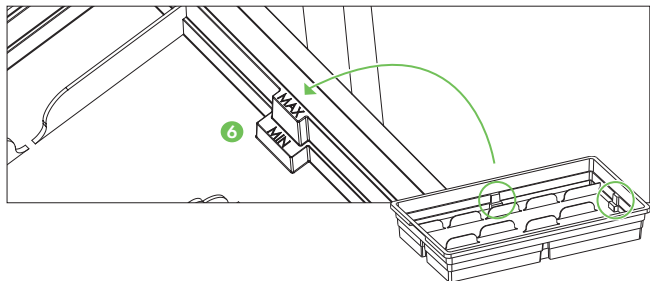
Step 4 Pairing the water sensor with the garden

1. Plug in your Click & Grow 25. If you use several units, see the next paragraph first
2. Next, remove the appropriately marked cardboard tab inside the bath. This frees the float and triggers the Bluetooth connectivity for the water level sensor. Wait for 10 seconds before you proceed
3. Locate the control unit for the lights under the top assembly



4. Hold down the button on the controller of grow lights for 15 seconds until both lights blink once
5. After blinking, the pairing process will take another 10-15 seconds. If successful, the lights will flash twice, indicating low water levels
6. After a successful pairing, water can be added to the bath. Use the guides inside the bath. This will end the blinking





If you have multiple gardens

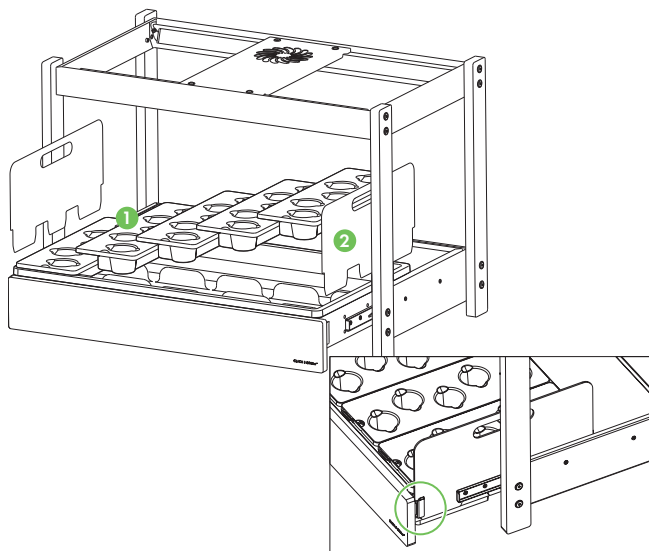
If you have more than one Click & Grow 25 unit, follow the previous steps but do the pairing one unit after another. Do not plug in units while you are pairing a previous one. Also, make sure not to disconnect units already paired with their water level sensors from the mains.

Connecting your garden with the app (optional)

1. Hold your mobile device near the garden with Bluetooth turned on
2. Open the Click & Grow app
3. Follow the steps in the app and choose your preferred settings

Step 5 Final assembly

1. Place 5 plant trays side by side on the edges of the bath
2. Remove the protective film from the side panels. Slide the side panels into their slots on either side of the bath

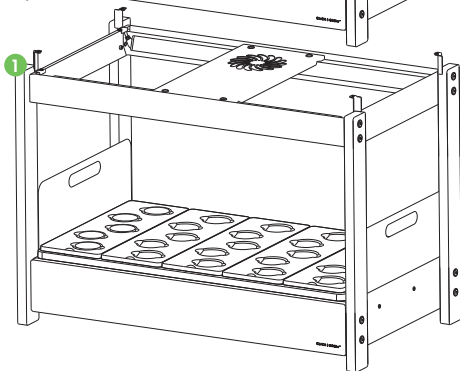
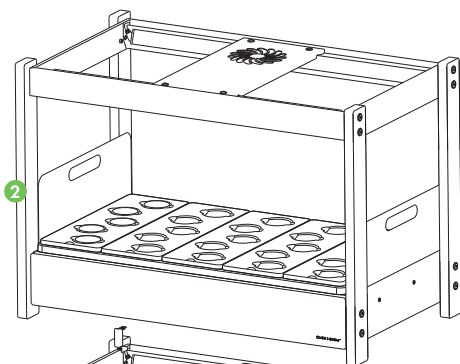


Stacking Click & Grow 25 units

For safety reasons, if you stack at least one Click & Grow 25 unit on top of another you should always fix them together and attach to a wall.

Stacking gardens

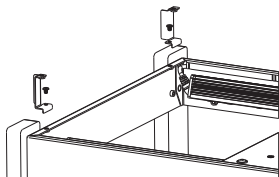
1. Take the bottom unit and fasten four stacking clamps to the edges of the top metal frame with M4 screws
2. Place the upper device on top, sliding the wooden legs into the clamps



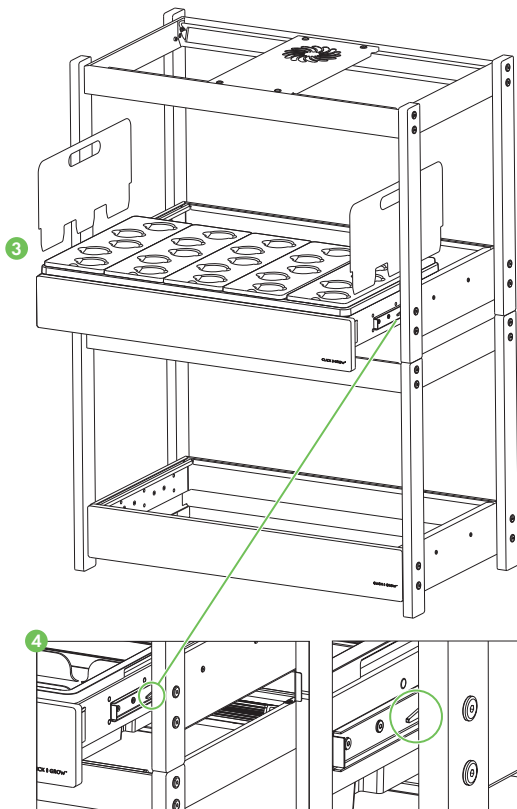
M4 screw 8x



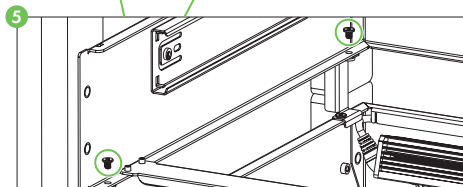
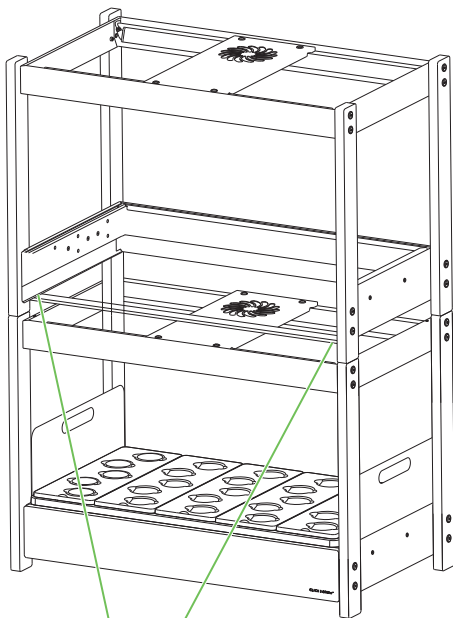
L-wrench T10 1x



3. Remove the safety panels, trays, and bath from the upper device
4. Lift the slider knob upward with the stick and pull the drawer outward. Repeat with the other side to remove the drawer entirely

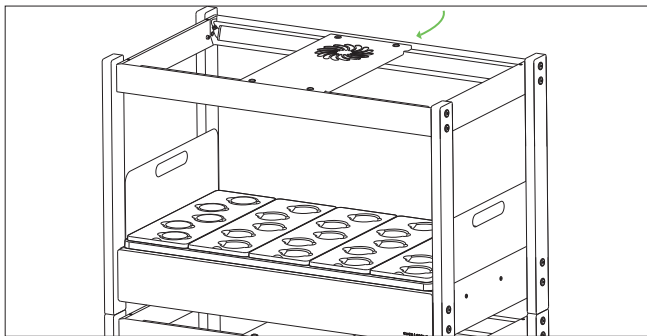
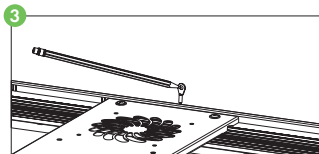
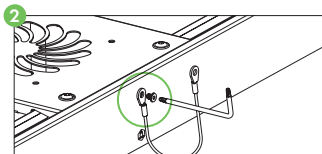


5. Fasten the upper unit to the clamps with four M4 bolts
6. Insert drawer back to its sliders and close it
7. Reinsert the bath, trays and safety panels



Attaching to a wall

1. Make sure the wall is reliable and strong
2. Attach the fixator to the back of the product with the appropriate bolt
3. Pull the other end of the fixator to the wall. Make a mark for the screw hole
4. Attach the fixator to the wall with the appropriate screw. Make sure not to create any excess strain on the fixator



M4 screw **1x**



Safety fixator **1x**

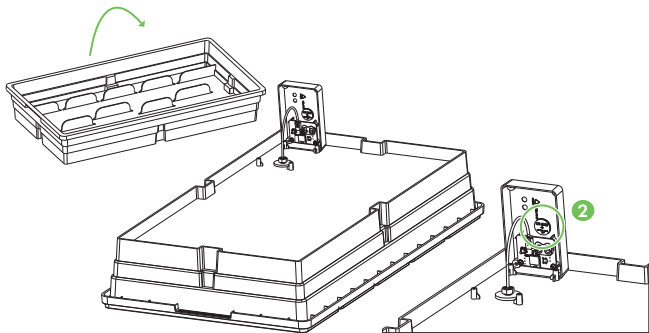


Fixator screw **1x**

Replacing the water sensor battery

In normal conditions, the battery works for up to 2 years and has a shelf life of 5 years. You will be notified through the Click & Grow app when the battery is running low.

1. Remove the cover from the water level control unit located under the bath
2. Replace the old battery with a new CR2032 type battery
3. Replacing the battery should automatically trigger the water level sensor to pair with the main controller again
4. If not, follow pairing instructions again



Your garden comes with a full warranty

In the rare case it has any defects, let us know! We'll exchange it for a new one within the first 12 months from purchase.

Contact support@clickandgrow.com or visit our support page at support.clickandgrow.com

Щоб завантажити це керівництво для користувача іншою мовою, завітайте на сайт:

Om deze gebruikershandleiding in een ander taal te downloaden, ga naar:

Aby pobrać tę instrukcję w innym języku, wejdź na:

Скачать эту инструкцию на другом языке можно по ссылке:

Per scaricare il presente manuale in una lingua diversa, andare su:

Um dieses Benutzerhandbuch in einer anderen Sprache herunterzuladen, besuchen Sie:

För att ladda ned denna användarmanual i annat språk gå till:

Para descargar este manual del usuario en otro idioma, visite:

Pour télécharger ce manuel dans une autre langue, allez sur:

下載此用戶手冊的其他語言版本，請訪問：

لتنزيل دليل المستخدم هذا بلغة مختلفة، يرجى زيارة الرابط التالي :

clickandgrow.com/pages/manuals

CLICK & GROW™

Out of Plant Pods? Head to clickandgrow.com to get some fresh ones.

@clickandgrow



Go to support.clickandgrow.com for help

Boost your plant-skills with the Click & Grow app!

