

SCOOTER DOCK



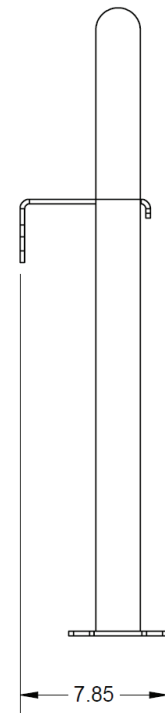
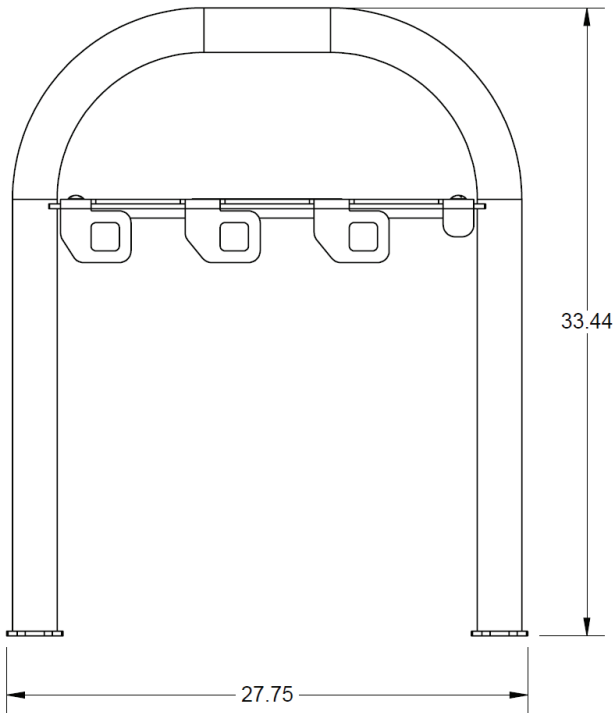
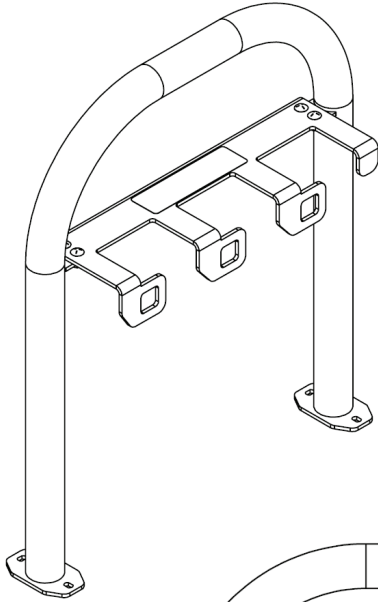
Looking to add space for eScooters in your parking setup? The Scooter Dock provides an easily-implemented option. Inspired by the Bike Dock design, this rack incorporates individual bays to park up to three scooters, while still allowing space for a bike to park on the opposite side. Integrated locking points allow securing the scooter with a standard bike lock, and a protective vinyl coating prevents damage to your scooter's handlebars.

Product Specifications

- Parks up to 3 scooters while accommodating a bicycle on the opposite side
- Soft-touch vinyl coating on parking bays protects scooter handlebars from damage
- Can be directly surface mounted or is compatible with Saris Bike Corral rails
- Single bike parking position meets APBP parking guidelines

Scooter Dock

Dimensions



Accommodates
3 scooters and
1 bike



2 3/8" pipe
1/4" steel plate



Powder coat
galvanized vinyl
coating



Temporary: 28879
Temporary secure: 26270
Permanent spike anchor:
6266



1 year
warranty



Made in
the USA

Anchors sold separately

Dimensions

Model	Capacity	Finish	Weight	Length	Height	Width
34609BLK	3 scooters, 1 bike	Powder Coat	36 lbs.	27.75"	33.44"	7.85"
34609G	3 scooters, 1 bike	Galvanized	36 lbs.	27.75"	33.44"	7.85"

Design files and additional product resources available
online at sarinfrastructure.com