

SQUARE TUBE BIKE DOCK



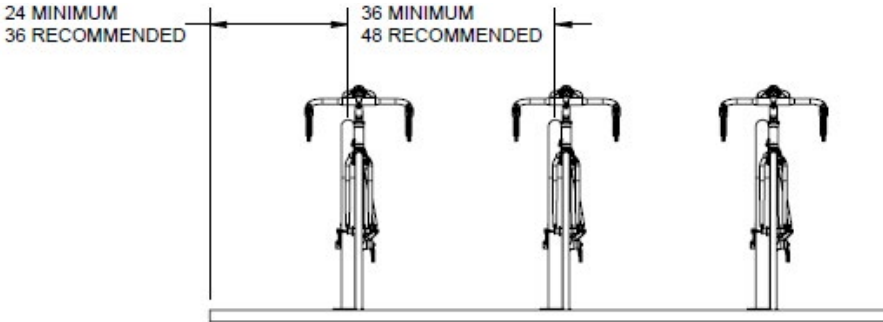
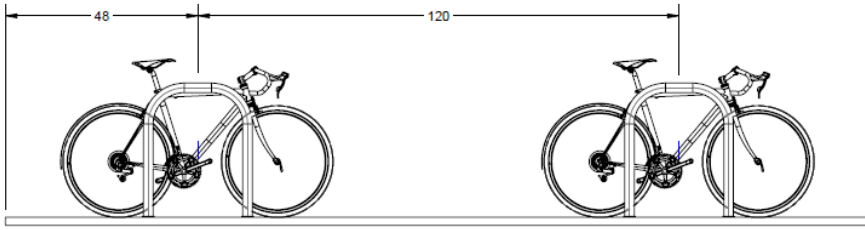
It's hip to be square. Troublemakers wielding pipe-cutters will have to look elsewhere if bike stealing mischief is on their minds. The 2" square tube provides extra protection by preventing a round-tubed pipe cutter from securing to and rotating around the bike rack.

Product Specifications

- 2"x2"x3/16" structural square tube- square tubing resists efforts from thieves using pipe cutters
- Accommodates two bikes
- Offers 2 points of contact for bike stability
- Meets APBP bike parking guidelines

Square Tube Bike Dock

Recommended Setbacks



2 bikes



2" Square,
Schedule 40
pipe



Powder Coat
Galvanized



Temporary: 28879
(install kit: 25683)
Temporary
Secure: 26270
(install kit: 26268)
Permanent: 6265



1 year
warranty



Made in
the USA

Anchors must be purchased separately



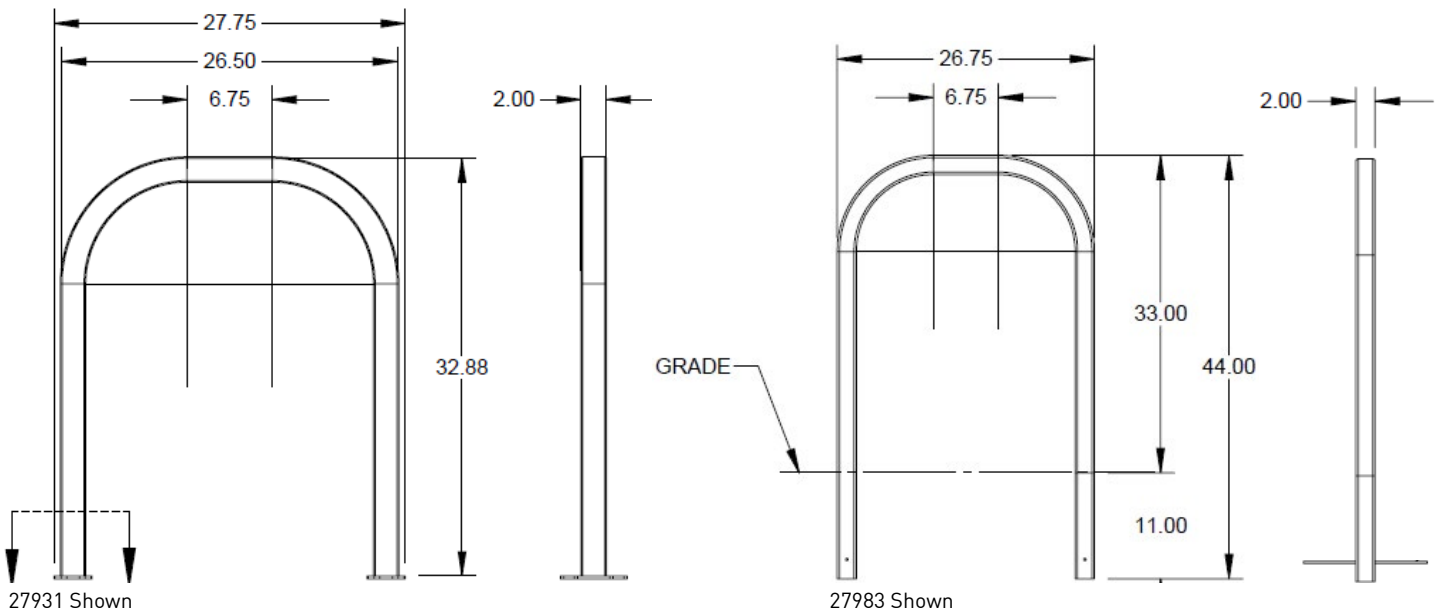
Standard Colors



Flange Mount



Below Grade
Mount



Dimensions

Model #	# Bikes	Type of Mount	Weight	Length	Height	Width
27931	2	Flange	33 lbs.	33.25"	27.75"	5.25"
27983	2	Below Grade	38 lbs.	44"	26.75"	2"

Downloadable product resources available online:



CAD Files



SketchUp Files



Written Specs



Photos

Our Saris Infrastructure representatives can assist with custom layout and spacing to meet your room dimensions and desired bike capacity.

Saris Infrastructure 800.783.7257

www.sarisinfrastructure.com