

## SMALL DIAL BIMETAL THERMOMETERS

Reotemp's OEM Thermometers are the perfect choice for equipment with limited space that requires a rugged, dependable, and economical temperature sensor. These thermometers are also available with a wide variety of mounting threads.



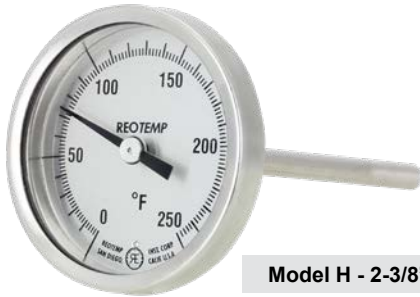
Accuracy



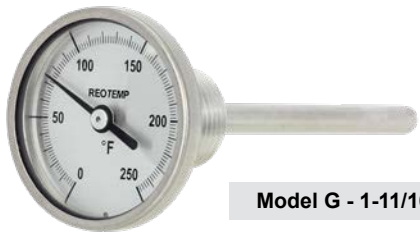
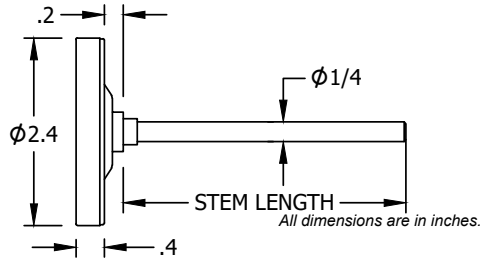
Custom Logo



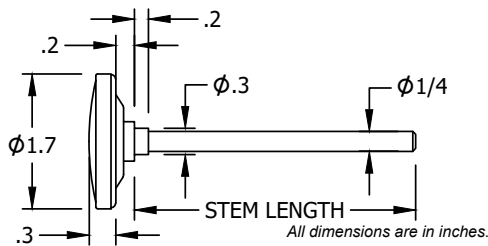
Made in the USA



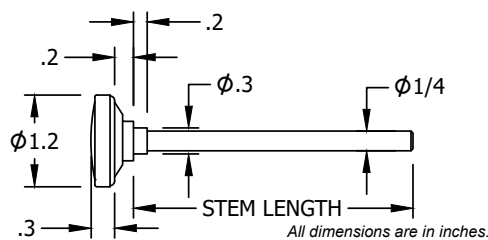
**Model H - 2-3/8" (2.38)**



**Model G - 1-11/16" (1.68)**



**Model Q - 1-5/32" (1.16)**



### FEATURES / BENEFITS

- Made to ASME B40.3 Specifications
- Accuracy  $\pm 1\%$  Full Scale. (ASME B40.3)
- Standard External Reset
- One Year Warranty
- Made in the USA
- All-Stainless Steel Construction

### SPECIFICATIONS

<b>Accuracy</b>	$\pm 1\%$ Full Scale (ASME B40.3)
<b>Dial Size</b>	1-5/32" (1.16), 1-11/16" (1.68), 2-3/8" (2.38)
<b>Dial Material</b>	Black marks on satin matte aluminum finish, or White Dial
<b>Stem Length</b>	2" to 80"
<b>Stem Diameter</b>	1/4" or 5/16"
<b>Head, Bezel, Mounting Bushing, Stems</b>	300 Series SS, 316SS (Optional)
<b>Operating Conditions</b>	Head temperature should not exceed 200°F. Stem should not be exposed to continuous temperatures exceeding 50% over-range or 800°F.
<b>Environmental Protection</b>	IP67, NEMA 6 Rated
<b>Lens</b>	Glass (Standard), Acrylic, or Polycarbonate
<b>Immersion</b>	Minimum 2" in liquid, and 4" in gas for most ranges. Certain ranges require up to 4" in liquids & 5" in gas.
<b>Mounting Connection</b>	Plain Bushing (standard), 1/2" NPT, 3/8"-24 NF (straight threaded), 1/4" NPT, 1/8" NPT, 3/8" NPT, Hex Reset Bushing
<b>Temperature Sensing Area</b>	Last 2" to 4" of the stem

## SMALL DIAL BIMETAL THERMOMETERS



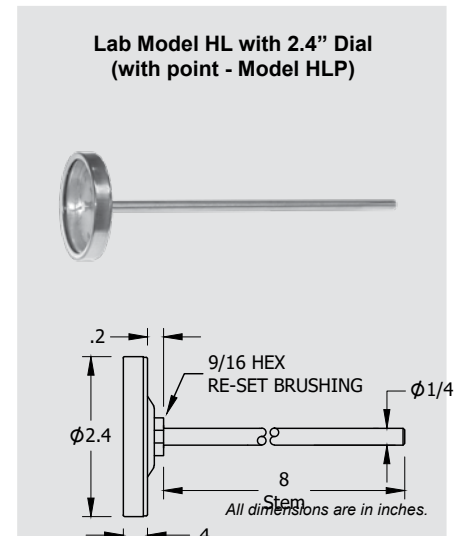
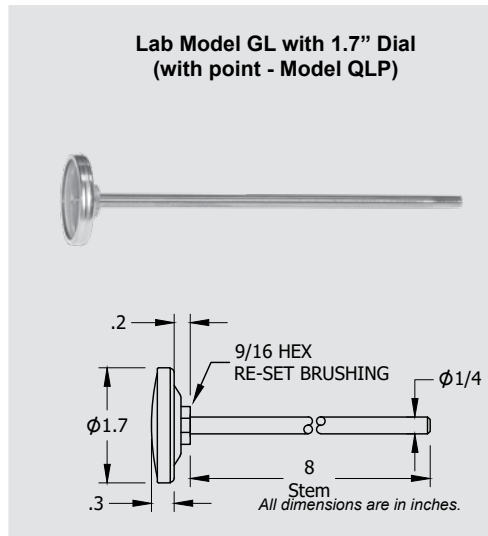
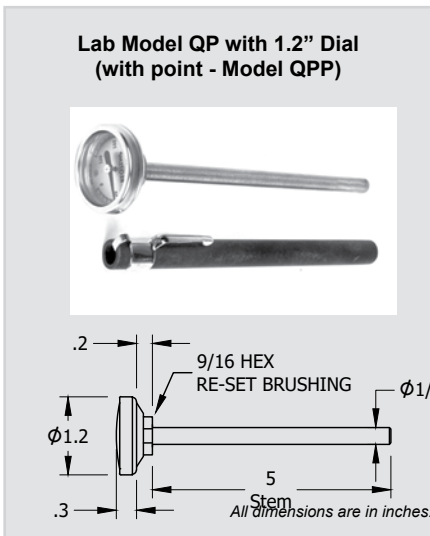
Visit [reotemp.com](http://reotemp.com)

- ✓ Check Stock
- ✓ Get Price
- ✓ Configure Part #
- ✓ Generate a Custom Engineering Drawing

**HOW TO ORDER:** Choose options to build a part number. For example: **QQ0251F23-PS**

MODELS	STEM LENGTH	CONNECTION	TEMPERATURE RANGE	OPTIONS
<p><b>QQ</b></p> <p><b>OEM Models</b>  <b>QQ</b> = Model Q                      1-5/32" (1.16)                      Dial  <b>GG</b> = Model G                      1-11/16" (1.68)                      Dial  <b>HH</b> = Model H                      2-3/8" (2.38)                      Dial</p> <p><b>Lab &amp; Test Models</b>  <b>QP</b> = Model QP (1                      5/32" Dial) with                      5" Stem  <b>GL</b> = Model GL (1                      11/16" Dial) with                      8" Stem  <b>HL</b> = Model HL (2                      3/8" Dial) with 8"                      Stem</p>	<p><b>025</b> = 2.5"  <b>040</b> = 4"  <b>060</b> = 6"  <b>090</b> = 9"  <b>120</b> = 12"  <b>150</b> = 15"  <b>180</b> = 18"  <b>240</b> = 24"  <b>300</b> = 30"  <b>360</b> = 36"</p> <p>Note: Intermediate stem lengths available up to 80".</p> <p><b>Millimeter Stem Lengths</b>  <b>M????</b> = Use a code beginning in M to specify a mm stem length ex: 100mm = M0100</p>	<p><b>2</b> = Plain Bushing (std)  <b>1</b> = 1/2" NPT  <b>3</b> = 3/8" - 24 NF (straight threaded)  <b>4</b> = 1/4" NPT  <b>6</b> = 1/8" NPT  <b>7</b> = 3/8" NPT  <b>8</b> = Hex Reset Bushing</p>	<p><b>Fahrenheit Ranges</b>  <b>F23</b> = -40°F to 160°F  <b>F55</b> = 25°F to 125°F*  <b>F43</b> = 0°F to 200°F  <b>F47</b> = 0°F to 250°F  <b>F63</b> = 50°F to 300°F  <b>F67</b> = 50°F to 500°F  <b>F69</b> = 50°F to 550°F  <b>F81</b> = 150°F to 750°F  <b>F85</b> = 200°F to 1000°F</p> <p><b>Dual Scale Ranges</b>  <b>D23</b> = -40°F to 160°F &amp; -40°C to 70°C  <b>D55</b> = 25°F to 125°F &amp; -5°C to 50°C*  <b>D43</b> = 0°F to 200°F &amp; -10°C to 90°C  <b>D47</b> = 0°F to 250°F &amp; -20°C to 120°C  <b>D63</b> = 50°F to 300°F &amp; 10°C to 150°C  <b>D67</b> = 50°F to 500°F &amp; 10°C to 260°C  <b>D69</b> = 50°F to 550°F &amp; 10°C to 290°C  <b>D81</b> = 150°F to 750°F &amp; 70°C to 400°C  <b>D85</b> = 200°F to 1000°F &amp; 100°C to 500°C</p>	<p><b>Celsius Ranges</b>  <b>C23</b> = -40°C to 70°C  <b>C55</b> = 0°C to 50°C*  <b>C43</b> = 0°C to 100°C  <b>C47</b> = -20°C to 120°C  <b>C59</b> = 0°C to 150°C  <b>C67</b> = 0°C to 250°C  <b>C69</b> = 0°C to 300°C  <b>C73</b> = 0°C to 400°C  <b>C85</b> = 100°C to 500°C</p> <p><b>General Options (Choose up to 4)</b>  <b>-PS</b> = Pointed Stem  <b>-SS</b> = 316 Stainless Stem  <b>-CL</b> = Custom Logo Dial</p> <p><b>Window Options (Std. is glass)</b>  <b>-PC</b> = Acrylic Window</p> <p><b>Calibration Cert. Options</b>  <b>-R1</b> = One Point Calibration Cert (Reotemp Chooses Points)  <b>-R3</b> = Three Point Calibration Cert (Reotemp Chooses Points)</p> <p><i>For Additional Options See Page 220</i></p> <p><i>For Thermowells See Pages 234-240</i></p>
			<p>*Not available in 2.5" stem.</p> <p><i>For Additional Ranges See Master Range Code Sheet on Page 221</i></p>	<p><b>Note:</b> Thermowells should be used whenever the stem or bulb would be exposed to pressure, corrosion, velocity, abrasion or shear forces. Thermowells also make it possible to remove the thermometer without losing pressure or the contents of the process.</p>

Reotemp's Laboratory Thermometers (QP, GL & HL) are ideal for testing and spot checking local temperatures in a variety of critical process or lab applications. Pointed stems are available for insertion in semi-solids such as soil, meat, etc.



THERMOMETERS

## BIMETAL OPTION CODES

Part #	Description	Industrial AA, RR, CC, CN, BB, SS, XR, XX, YY, YN, VR, VV, LL, MM, JJ	Small Dial OEM QQ, GG, HH	Digital DT, DTR, BT	Dual Mode Thermometer DMT
<b>CASE FILL OPTIONS</b>					
<b>-SF</b>	Silicone Filled Case	✓	N/A	N/A	✓
<b>LENS OPTIONS</b>					
<b>-PC</b>	Acrylic Window	✓	✓	N/A	✓
<b>-PY</b>	Polycarbonate Window	✓	✓	STD	✓
<b>-TG</b>	Tempered Safety Glass Lens	✓	N/A	N/A	✓
<b>-SG</b>	Laminated Safety Glass Lens	✓	N/A	N/A	✓
<b>-GL</b>	Plain Glass	STD	STD	✓	STD
<b>STEM OPTIONS</b>					
<b>-PS</b>	Pointed Tip	✓	✓	✓	N/A
<b>-SS</b>	316 Stainless Steel Stem	✓	✓	✓	✓
<b>-F5</b>	5/16" Diameter Stem (Not Available with 316SS Stem)	✓	✓	✓	N/A
<b>-S3</b>	3/8" Diameter Stem	✓	✓	✓	✓
<b>-TF</b>	Teflon Coating (Stem Only)	✓	✓	✓	✓
<b>DIAL OPTIONS</b>					
<b>-CL</b>	Custom Logo Dial	✓	✓	✓	✓
<b>-HV</b>	Hi-Vis Dial	✓	MQ	N/A	✓
<b>-CB</b>	Color Band	✓	MQ	N/A	✓
<b>-PI</b>	Color Pie	✓	MQ	N/A	✓
<b>-WD</b>	White Dial (Standard Ranges Only)	✓	✓	✓	✓
<b>-MM</b>	Min/Max Pointer	✓	N/A	N/A	✓
<b>NL</b>	No Logo	✓	✓	✓	✓
<b>TAG OPTION</b>					
<b>-TS</b>	Stainless Steel Tag (1-10 Characters)	✓	✓	✓	✓
<b>-TP</b>	Paper Tag	✓	✓	✓	✓
<b>CERTIFICATION OPTIONS</b>					
<b>-R1</b>	1pt. Calibration Certification (Reotemp Chooses the Point)	✓	✓	✓	✓
<b>-R3</b>	3 pt. Calibration Certification (Reotemp Chooses the Points)	✓	✓	✓	✓
<b>-C1</b>	1 pt. Calibration Certification (Customer Chooses the Point)	✓	✓	✓	✓
<b>-C3</b>	3 pt. Calibration Certification (Customer Chooses the Points)	✓	✓	✓	✓
<b>-CS</b>	NIST Calibration Sticker (No Logged Points)	✓	✓	✓	✓
<b>-CC</b>	Certificate of Conformance	✓	✓	✓	✓
<b>OTHER</b>					
<b>-3H</b>	316 Stainless Steel Head & Bezel	✓	N/A	STD	✓
<b>-HT</b>	Heat Transfer Compound	✓	✓	✓	✓
<b>-CH</b>	Spring Handle (T-27)	✓	✓	✓	N/A
<b>-AS</b>	Allows Bimet to Fit 1-1/4-18 xxowell	✓	✓	✓	✓

✓	Indicates that the option is available with the model.
STD	Indicates standard options with no additional cost.

N/A	Indicates the option is not available with this model.
MQ	Minimum order quantity applies.

## BIMETAL RANGE CODES

FAHRENHEIT RANGES		
Code	°F Range	Div.
F03	-100/100	2
F05	-100/200	2
F07	-80/120	2
F11	-70/150	2
F19	-50/300	5
F21 <sup>†</sup>	-40/120	2
F23	-40/160	2
F25	-40/180	2
F26	-40/200	2
F27 <sup>‡</sup>	-40/70	1
F31 <sup>†</sup>	-20/120	2
F33	-20/425	5
F35 <sup>‡</sup>	0/100	1
F37 <sup>†</sup>	0/140	2
F39 <sup>†</sup>	0/150	1
F43	0/200	2
F45	0/220	2
F47	0/250	2
F49	0/300	2
F50	0/500	5
F51	0/600	10
F53	20/240	2
F55 <sup>‡</sup>	25/125	1
F57 <sup>‡</sup>	30/130	1
F63	50/300	2
F65	50/400	5
F67	50/500	5
F69	50/550	5
F71	50/650	10
F73	50/750	10
F78	100/600	5
F79	100/800	10
F81	150/750	10
F82	200/700	20
F83	200/300	2
F84	100/900	5
F85	200/1000	10
F89	250/600	5
F91	300/400	2

CELSIUS RANGES		
Code	°C Range	Div.
C01	-80/220	2
C03	-70/70	2
C06	-70/30	1
C07	-50/50	1
C08	-60/120	2
C09 <sup>‡</sup>	-50/0	1
C15	-50/100	2
C17	-50/200	2
C19	-40/160	2
C20	-60/300	5
C23	-40/70	1
C24	-40/350	5
C27 <sup>‡</sup>	-30/30	1
C31 <sup>†</sup>	-20/40	1
C32	-20/60	
C33	-20/220	2
C34	-20/320	5
C35 <sup>‡</sup>	0/30	.5
C37 <sup>‡</sup>	0/60	1
C38 <sup>†</sup>	0/80	
C43	0/100	1
C47	-20/120	2
C53	-10/110	1
C55 <sup>‡</sup>	0/50	.5
C56	0/120	1
C59	0/150	1
C60	50/150	
C61	0/160	2
C63	10/150	2
C65	0/200	2
C67	0/250	2
C69	0/300	2
C71	0/300	5
C73	0/400	5
C74	0/450	5
C75	0/500	5
C79	50/450	5
C81	50/400	5
C85	100/500	5
C87	100/550	5

DUAL RANGES	
Code	°F & °C Range
D01	-150/400 & 100/200
D03	-100/100 & -70/40
D07	-80/120 & -60/50
D15	-50/210 & -50/100
D19	-50/300 & -40/160
D23	-40/160 & -40/70
D37 <sup>†</sup>	0/140 & -15/60
D39 <sup>†</sup>	0/150 & -20/65
D41 <sup>†</sup>	0/160 & -15/70
D43	0/200 & -10/90
D45	0/220 & -10/100
D47	0/250 & -20/120
D49	0/300 & -10/150
D53	20/240 & -10/115
D55 <sup>‡</sup>	25/125 & -5/50
D63	50/300 & 10/150
D65	50/400 & 10/200
D67	50/500 & 10/260
D69	50/550 & 10/290
D77	100/450 & 40/230
D79	100/800 & 40/400
D81	150/750 & 70/400
D85	200/1000 & 100/500
D87	200/1000 & 100/550

‡ Minimum stem length is 4".

† For 2.5" stem, all bottom connect and all-angle models require adapter P/N AD22S.