



SERIES 2000-HA | HIGH ACCURACY MAGNEHELIC® DIFFERENTIAL PRESSURE GAGE



BENEFITS/FEATURES

- Accurate within 1%
- Mirrored scale overlay eliminates parallax error
- Six point calibration certificate included
- IP67 - Fully protects against dust and immersion
- Optional corrosion resistant brushed 304 SS bezel

APPLICATIONS

- Clean room positive pressure indication
- Filter monitoring
- Air velocity with Dwyer® pitot tube
- Blower vacuum monitoring
- Fan pressure indication
- Duct, room, or building pressures

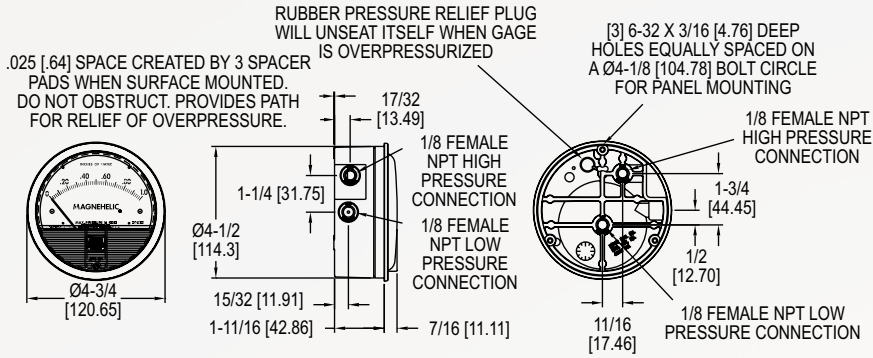
DESCRIPTION

The **SERIES 2000-HA High Accuracy Magnehelic® Differential Pressure Gage** is twice as accurate as the standard Magnehelic® gage. The well-engineered high accuracy Magnehelic® gage offers a mirrored overlay as standard in order to eliminate any parallax error when taking measurements. A six point calibration certificate is included with each high accuracy model. The rugged IP67 casing helps fully protect against dust and water ingress. The redesigned corrosion resistant brushed 304 stainless steel bezel option offers a clean tapered design, yet minimizes the possibility of any dust accumulation on the edges.

SPECIFICATIONS

Service	Air and non-combustible, compatible gases (natural gas option available). Note: May be used with hydrogen. Order a Buna-N diaphragm. Pressures must be less than 35 psi.
Wetted Materials	Consult factory.
Housing	Die cast aluminum case and bezel with acrylic cover. Exterior finish is coated gray to withstand 168 hour salt spray corrosion test.
Accuracy	±1% FS (±1.5% on -0, -100 Pa, -125 Pa, -10 mm and ±2% on -00, -60 Pa, -6 mm ranges) throughout range at 70°F (21.1°C).
Pressure Limits	-20 in Hg to 15 psig (-0.677 bar to 1.034 bar).
Overpressure	Relief plug opens at approximately 25 psig (1.72 bar), standard gages only. See Overpressure Protection note on catalog page.
Temperature Limits	4" (101.6 mm) diameter dial face.
Size	4" (101.6 mm) diameter dial face.
Mounting Orientation	Diaphragm in vertical position. Consult factory for other position orientations.
Process Connections	1/8" female NPT duplicate high and low pressure taps – one pair side and one pair back.
Weight	1 lb 2 oz (510 g).
Standard Accessories	Two 1/8" NPT plugs for duplicate pressure taps, two 1/8" pipe thread to rubber tubing adapters, and three flush mounting adapters with screws.
Compliance	Meets the technical requirements of EU Directive 2011/65/EU (RoHS II).

DIMENSIONS



HOW TO ORDER

Use the **bold** characters from the chart below to construct a product code.

	2001	-HA	
SERIES/RANGE			OPTIONS
(in w.c./mm w.c.)	(Pa)	(kPa)	-HA: High accuracy scale
2000-00: 0-0.25 in w.c.	2000-60NPA: 10-0-50 Pa	2000-1KPA: 0-1 kPa	-SS: Brushed 304 SS bezel
2000-00N: 0.5-0-0.2 in w.c.	2000-60PA: 0-60 Pa	2000-1.5KPA: 0-1.5 kPa	
2000-0: 0-0.5 in w.c.	2000-100PA: 0-100 Pa	2000-2KPA: 0-2 kPa	
2001: 0-1 in w.c.	2000-125PA: 0-125 Pa	2000-3KPA: 0-3 kPa	
2002: 0-2 in w.c.	2000-250PA: 0-250 Pa		
2003: 0-3 in w.c.	2000-300PA: 0-300 Pa		
2004: 0-4 in w.c.	2000-500PA: 0-500 Pa		
2006: 0-6 in w.c.	2300-60PA: 30-0-30 Pa		
2010: 0-10 in w.c.	2300-100PA: 50-0-50 Pa		
2000-6MM: 0-6 mm w.c.	2300-120PA: 60-0-60 Pa		
2000-50MM: 0-50 mm w.c.			
2300-12MM: 6-0-6 mm w.c.			

Note: Only our most popular models and options are listed. For additional available models, please visit: <https://www.dwyer-inst.com/Product/Pressure/DifferentialPressure/Gages/Series2000>

ORDER ONLINE TODAY!

dwyer-inst.com



DWYER INSTRUMENTS, LLC