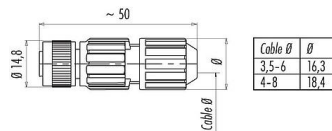


Product description	M12 Female cable connector, Contacts: 4, 4.0-8.0 mm, unshielded, IDC, IP67
Area	M12-A
Part no.	99 0528 12 04

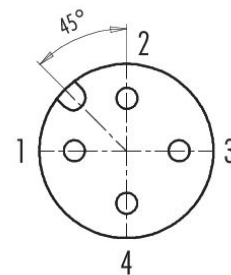
Illustration



Scale drawing



Contact arrangement (Plug-in side)



You can find the assembly instructions on the next page.

Technical data

General features

Part no.	99 0528 12 04
Connector design	Female cable connector
Type standard	DIN EN 61076-2-101
Version	Connector socket straight
Connector locking system	screw
Termination	IDC
Degree of protection	IP67
Cross-sectional area	0.34-0.75 mm ² / AWG 22-18
Cable outlet	4.0-8.0 mm
Temperature range from/to	-40 °C / 80 °C
Mechanical operation	> 100 Mating cycles
Weight (g)	16.50
Customs tariff number	85369010
Country of Origin	DE

Electrical parameters

Rated voltage	250 V
Rated impulse voltage	2500 V
Rated current	4.0 A
Insulation resistance	> 10 ⁸ Ω
Pollution degree	3
Overtoltage category	II

Product description **M12 Female cable connector, Contacts: 4, 4.0-8.0 mm, unshielded, IDC, IP67**

Area **M12-A**
Part no. **99 0528 12 04**

Insulating material group III
EMC compliance unshielded

Material

Housing material PA
Contact body material TPU
Contact material CuZn (brass)
Contact plating Au (gold)
Locking material Zinc die-cast nickel-plated
REACH SVHC None (No pollutants)
SCIP number SCIP-number not available

Classifications

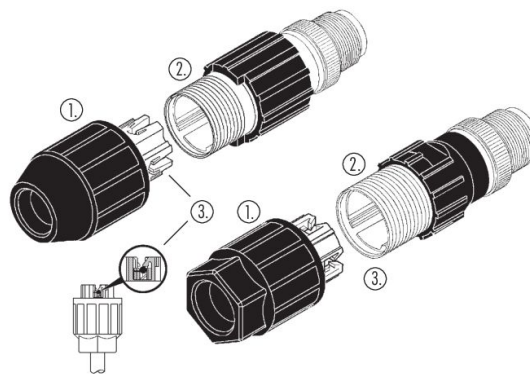
eCl@ss 11.1 27-44-01-02
ETIM 9.0 EC002635

Declarations of conformity

Low Voltage Directive 2014/35/EU (EN 60204-1:2018;EN 60529:1991)

Assembly instructions

1. Premounted cup nut unit
(cap nut, seal, splice ring with strain relief)
2. Contact carrier
3. Splice ring

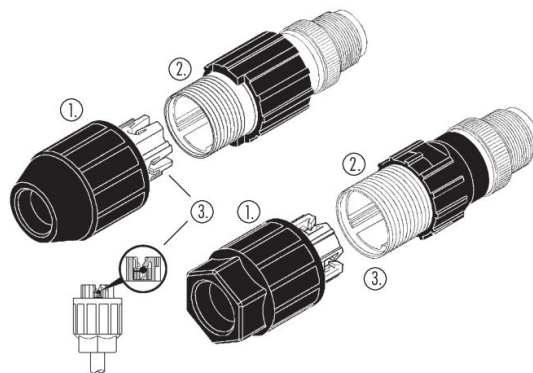


Product description **M12 Female cable connector, Contacts: 4, 4.0-8.0 mm, unshielded, IDC, IP67**

Area **M12-A**
Part no. **99 0528 12 04**

Assembly instructions

1. *Premounted cup nut unit
(cap nut, seal, splice ring with strain relief)*
2. *Contact carrier*
3. *Splice ring*



Product description	M12 Female cable connector, Contacts: 4, 4.0-8.0 mm, unshielded, IDC, IP67
Area	M12-A
Part no.	99 0528 12 04

General Disclaim Notice

The connector must not be plugged or unplugged under load. Non-observance and improper use can result in personal injury.

The connectors have been developed for applications in plant engineering, control and electrical equipment construction. The user is responsible for checking whether the connectors can also be used in other areas of application.

To protect against unintentional opening of the connector, the thread between the housing and the connector head must be secured with a suitable cyanoacrylate adhesive when used in circuits with voltages dangerous to the touch. This does not apply to connectors used in SELV and PELV circuits according to IEC 61140 (EN 61140, VDE 0140-1).

Connectors which are used in circuits with voltages dangerous to the touch may only be installed and used by, or under the supervision of, persons with electrical engineering training, taking into account the applicable regulations and standards.

Plug connectors with enclosure protection IP67 and IP68 are not suitable for use under water. When used outdoors, the plug connectors must be protected separately against corrosion. For further information on the IP protection classes, please refer to the "Technical Information" download centre.

To lock the cable connector with the device connector, the threaded ring is tightened "hand-tight" (approx. 60 cNm).

The user must take appropriate safety precautions to ensure that the connector cannot be accidentally disconnected. In addition, the user must ensure that the cable is suitably secured.