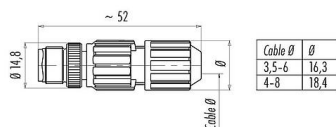


Product description	<b>M12 Male cable connector, Contacts: 4, 4.0-8.0 mm, unshielded, IDC, IP67</b>
Area	<b>M12-A</b>
Part no.	<b>99 0527 12 04</b>

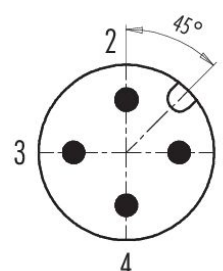
### Illustration



### Scale drawing



### Contact arrangement (Plug-in side)



You can find the assembly instructions on the next page.

## Technical data

### General features

Part no.	<b>99 0527 12 04</b>
Connector design	Male cable connector
Type standard	DIN EN 61076-2-101
Version	Connector pin straight
Connector locking system	screw
Termination	IDC
Degree of protection	IP67
Cross-sectional area	0.34-0.75 mm <sup>2</sup> / AWG 22-18
Cable outlet	4.0-8.0 mm
Temperature range from/to	-40 °C / 80 °C
Mechanical operation	> 100 Mating cycles
Weight (g)	15.00
Customs tariff number	85369010
Country of Origin	DE

### Electrical parameters

Rated voltage	250 V
Rated impulse voltage	2500 V
Rated current	4.0 A
Insulation resistance	> 10 <sup>8</sup> Ω
Pollution degree	3
Overtoltage category	II

Product description **M12 Male cable connector, Contacts: 4, 4.0-8.0 mm, unshielded, IDC, IP67**

Area **M12-A**  
Part no. **99 0527 12 04**

Insulating material group III  
EMC compliance unshielded

### Material

Housing material PA  
Contact body material TPU  
Contact material CuZn (brass)  
Contact plating Au (gold)  
Locking material Zinc die-cast nickel-plated  
REACH SVHC None (No pollutants)  
SCIP number SCIP-number not available

### Classifications

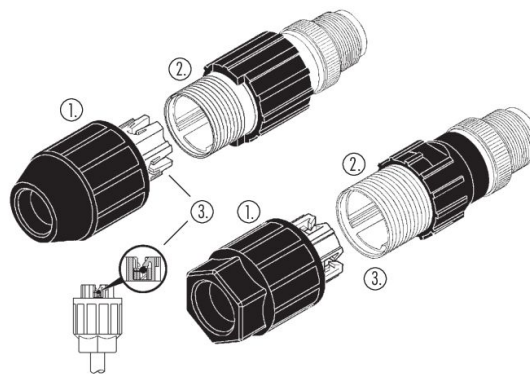
eCl@ss 11.1 27-44-01-02  
ETIM 9.0 EC002635

### Declarations of conformity

Low Voltage Directive 2014/35/EU (EN 60204-1:2018;EN 60529:1991)

### Assembly instructions

1. Premounted cup nut unit  
(cap nut, seal, splice ring with strain relief)
2. Contact carrier
3. Splice ring

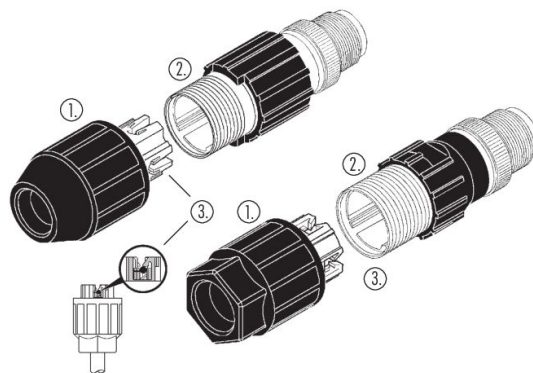


Product description **M12 Male cable connector, Contacts: 4, 4.0-8.0 mm, unshielded, IDC, IP67**

Area **M12-A**  
Part no. **99 0527 12 04**

## Assembly instructions

1. *Premounted cup nut unit  
(cap nut, seal, splice ring with strain relief)*
2. *Contact carrier*
3. *Splice ring*



Product description	<b>M12 Male cable connector, Contacts: 4, 4.0-8.0 mm, unshielded, IDC, IP67</b>
Area	<b>M12-A</b>
Part no.	<b>99 0527 12 04</b>

## General Disclaim Notice

The connector must not be plugged or unplugged under load. Non-observance and improper use can result in personal injury.

The connectors have been developed for applications in plant engineering, control and electrical equipment construction. The user is responsible for checking whether the connectors can also be used in other areas of application.

To protect against unintentional opening of the connector, the thread between the housing and the connector head must be secured with a suitable cyanoacrylate adhesive when used in circuits with voltages dangerous to the touch. This does not apply to connectors used in SELV and PELV circuits according to IEC 61140 (EN 61140, VDE 0140-1).

Connectors which are used in circuits with voltages dangerous to the touch may only be installed and used by, or under the supervision of, persons with electrical engineering training, taking into account the applicable regulations and standards.

Plug connectors with enclosure protection IP67 and IP68 are not suitable for use under water. When used outdoors, the plug connectors must be protected separately against corrosion. For further information on the IP protection classes, please refer to the "Technical Information" download centre.

To lock the cable connector with the device connector, the threaded ring is tightened "hand-tight" (approx. 60 cNm).

The user must take appropriate safety precautions to ensure that the connector cannot be accidentally disconnected. In addition, the user must ensure that the cable is suitably secured.