

Pressure Transmitter

With thin film measuring cell

Pressure ranges 0 – 6 bar to 0 – 2500 bar

DTM

Application

Pressure transmitter models DTM are suitable for overpressure measurement of liquid and gaseous media from 0 – 6 bar up to 0 – 2500 bar, which do not corrode stainless steel 1.4548 (diaphragm) and 1.4542 or 1.4548.4 (process connection).

The design of this robust, compact instrument allows for applications also in rough operating conditions, e.g. in hydraulic systems, in test benches, in process engineering, industry and research.

The pressure transmitters are temperature-compensated and provide a calibrated output signal.

Construction

Our pressure transmitters with thin film measuring cell stand out especially due to their robust construction. The thin film sensor is, just as the case, welded directly to the pressure connection piece. Thus, the entire instrument is particularly dirt-resistant and can also be applied under critical conditions.

Standard Versions

Construction Type

Installation length: standard, measuring cell placed inside

Process Connection

G 1/4 B (1/4" BSP), 1.4542: up to 0 – 1000 bar

High pressure connection

M 16x1.5 female, 1.4548.4: from 0 – 1600 bar

Measuring Cell/Sensor

Thin film, diaphragm made of stainless steel 1.4548, welded, placed inside

Case

Stainless steel, degree of protection IP65 according to DIN EN 60 529

Pressure Ranges/Overload

Overpressure 0 – 10 bar to 0 – 2500 bar

(reference point ambient air pressure during manufacturing)

Overpressure (bar)	Overrange protection (bar)	Overpressure (bar)	Overrange protection (bar)
-1 / +5	20	0 – 100	300
-1 / +9		0 – 160	
-1 / +15	40	0 – 250	600
-1 / +24		0 – 400	
0 – 6	20	0 – 600	1200
0 – 10		0 – 1000	
0 – 16	40	0 – 1600	2200
0 – 25		0 – 2500	
0 – 40	100		
0 – 60			

Output Signal

	Supply voltage	Load impedance
4...20 mA 2-wire	9...30 V DC	(U _B - 9 V) / 0.02 A
0...20 mA 3-wire	9...30 V DC	(U _B - 9 V) / 0.02 A
0...10 V 3-wire	14...30 V DC	min. 10 kΩ

Measuring Accuracy

Better than ±0.5 % of full scale value (including non-linearity, hysteresis and non-repeatability)

Temperature Ranges

Storage temperature: -25 °C to +85 °C (-13 °F to +185 °F)

Rated temperature: -25 °C to +85 °C (-13 °F to +185 °F)

Temperature Influence in the Rated Temperature Range

Zero point: ≤0.3 % / 10 K

Span: ≤0.2 % / 10 K

Reference Temperature

+20 °C (+68 °F)

Long-term Stability of Zero Point and Span

Better than ±0.2 % p.a.

Reverse Voltage Protection

Available

Electrical Connection

Plug connector DIN EN 175 301-803 construction type A, 3-pin + protective contact, IP65 (DIN EN 60 529/IEC 529)

For assuring the electromagnetic compatibility (EMC), please use a shielded cable (e.g. LP/LiMYCY). The shield has to be connected to the ground terminal or the case. Wiring diagram see page 2.

Position of Installation/Position of Connection

Any

EMC

DIN EN 61 000-6-3, 61 000-6-2

Options

• Process connection:

- G 1/2 B, 1/4" NPT, 1/2" NPT, M 12x1.5, M 20x1.5
- high pressure connection 1/8" – 18 UNF
- VCR® union nut (1.4301)
- VCR® male thread rigid
- others upon request

• Electrical connection:

- circular plug connector M 12x1 (IP67)¹⁾
- angular cable box, without cable
- optional with 2 m (6.56') die cast cable
- circular plug connector M 12x1 (IP67)
- straight cable box, without cable
- others upon request

• Special version:

- silicone-free version
- version free of grease and oil, up to 600 bar

adjustment ≤ 250 bar with dry air

≥ 400 bar with distilled water

- oxygen version: up to max. 0 – 600 bar

- restrictor screw in the inlet port of the connection, orifice Ø 0.3 mm (0.01")

• Higher temperature:

with temperature decoupler TE, length approx. 30 mm (1.18")

- for medium temperatures > 80 °C < 140 °C (> 176 °F < 284 °F)

- for medium temperatures > 140 °C (> 284 °F) upon request

Ordering Information

Basic model	DTM
Process connection	e.g. G 1/4 B
Pressure range	e.g. 0 – 60 bar
Output signal	e.g. 4...20 mA

Example: DTM, G 1/4 B, 0 – 60 bar, 4...20 mA

www.armano-messtechnik.com

ARMANO

ARMANO Messtechnik GmbH

Location Beierfeld

Am Gewerbehark 9 • 08344 Grünhain-Beierfeld
Tel.: +49 3774 58 – 0 • Fax: +49 3774 58 – 545
mail@armano-beierfeld.com

Location Wesel

Manometerstraße 5 • 46487 Wesel-Ginderich
Tel.: +49 2803 9130 – 0 • Fax: +49 2803 1035
mail@armano-wesel.com

9830

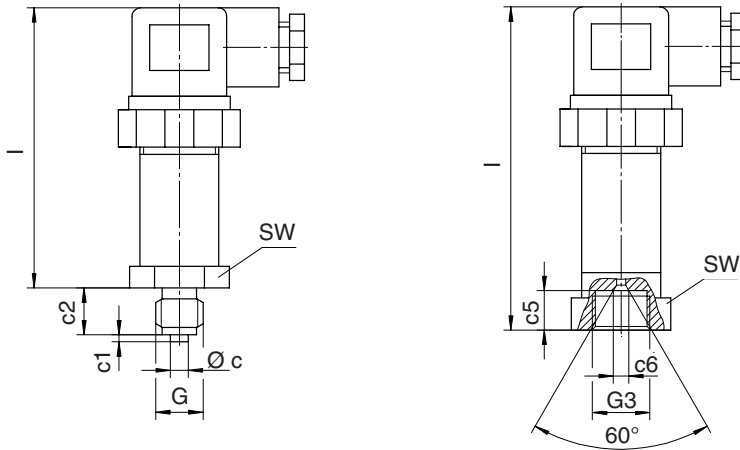
01/22

Case Configuration, Dimensional Data and Weight, Wiring Diagram

Standard Version

Pressure ranges up to 0 – 1000 bar

Pressure ranges up to 0 – 1600 bar and 0 – 2500 bar

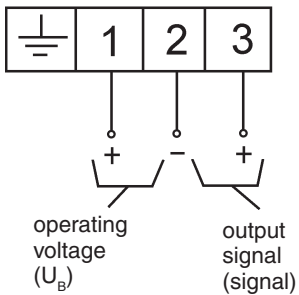


Dimensional Data (mm/inch) and Weight (kg/lb)

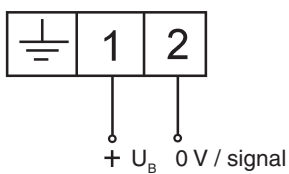
pressure range	Ø c	c1	c2	c5	c6	G	G3	I	SW	approx. weight
up to 0 – 1000 bar	5 0.2	2 0.08	13 0.51	—	—	G ¼ B ¼" BSP	—	78 3.07	24 0.94	0.12 0.26
from 1600 bar	—	—	—	11 0.43	4.3 0.17	—	M 16x1.5	90 3.54	24 0.94	0.13 0.29

Wiring Diagram

3-wire



2-wire



Please note:

Wiring diagram for version with circular plug connector
M 12x1 see supplied operating instructions!