



1059, boulevard des Entreprises Ouest  
 Terrebonne, QC Canada J6Y 1V2  
 Tel 450-628-1006 1.800.783.6883  
 Fax 450-628-7801 1.888.783.6883  
 www.plasticase.com

920 PADDED DIVIDER

PROJECT

920\_NANUK

PRODUCT

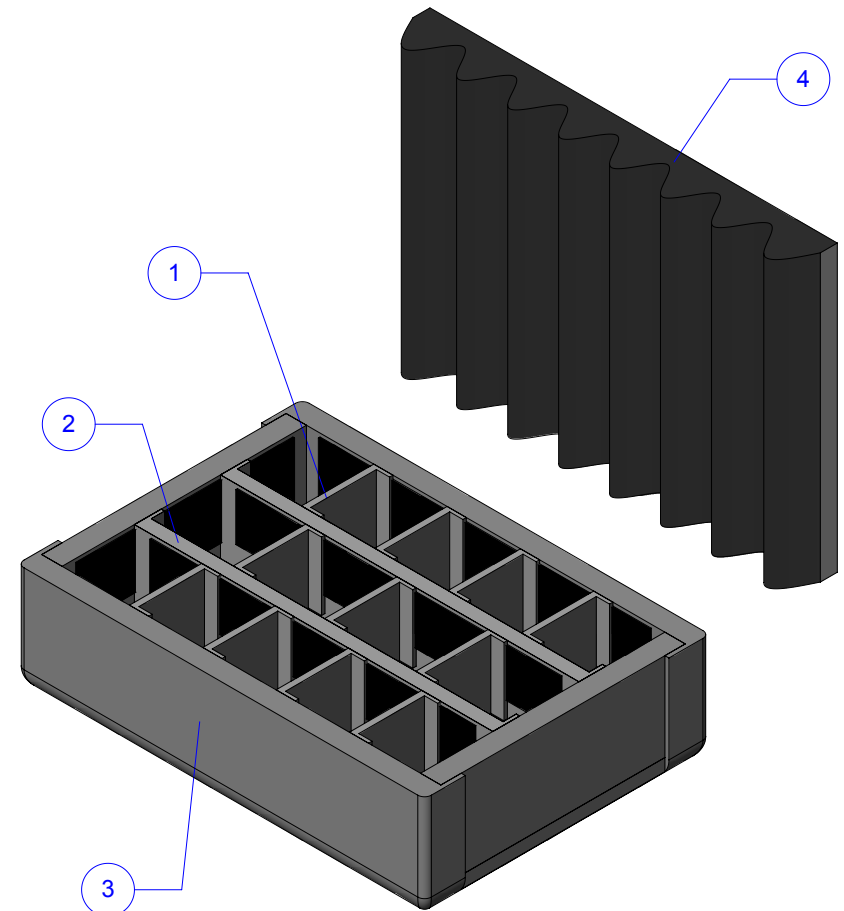
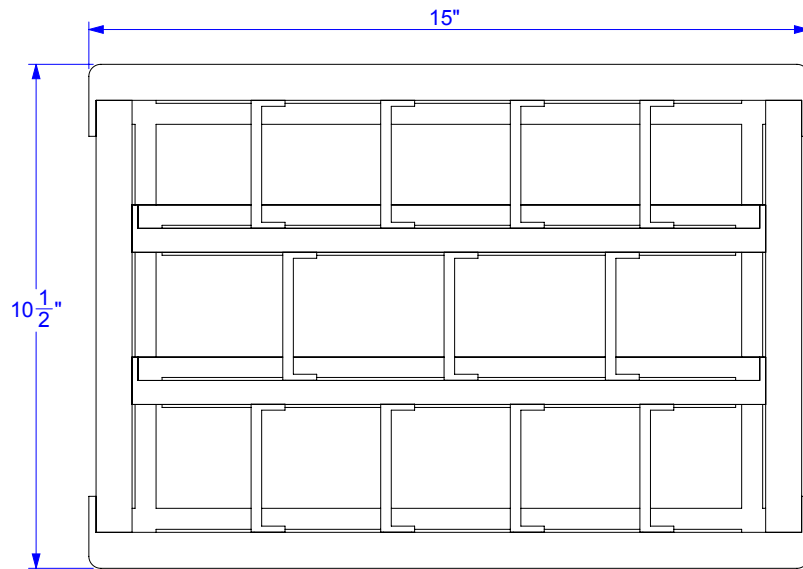
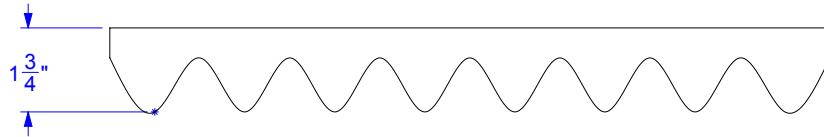
920\_PADDED\_DIVIDER\_a.00

DWG ID

STATUS

ITEM	DESCRIPTION	QTY.
1	920_PADDED DIVIDER 2.8" X 0.3" X 2.6"	11
2	920_PADDED DIVIDER 2.8" X 0.5" X 13.2"	2
3	920_PADDED DIVIDER CONTOUR	1
4	920_CONVOLUTED FOAM	1

CONVOLUTED FOAM



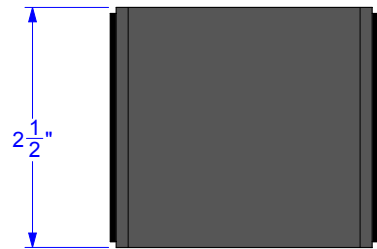
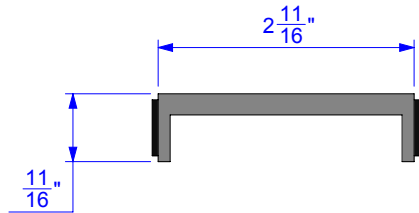
REV.	DESCRIPTION	DATE	INITIALS
REVISIONS			

**PROPRIETARY AND CONFIDENTIAL**  
 THE INFORMATION CONTAINED IN THIS DRAWING IS THE SOLE & EXCLUSIVE PROPERTY OF PLASTICASE INC.  
 ANY REPRODUCTION IN PART OR WHOLE WITHOUT THE WRITTEN PERMISSION OF PLASTICASE INC. IS PROHIBITED.

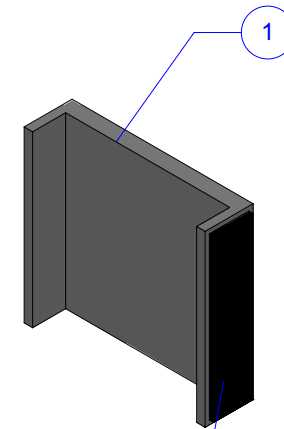
DO NOT SCALE DRAWING  
 SHEET SCALE 1:4

Karen Dupuis  
 DESIGNER

24/04/2017  
 DATE

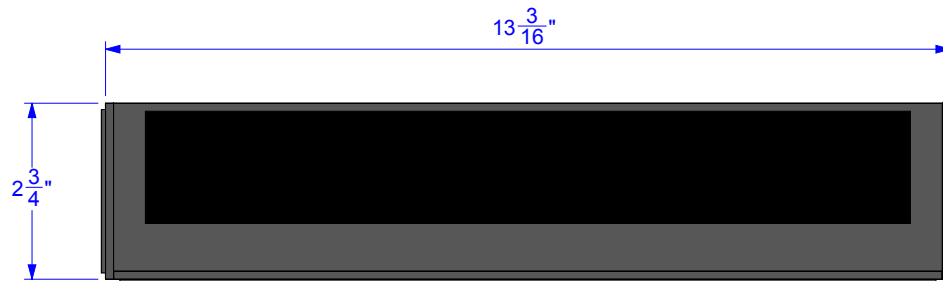


920\_PADDED DIVIDER 2.8" X 0.3" X 2.6"

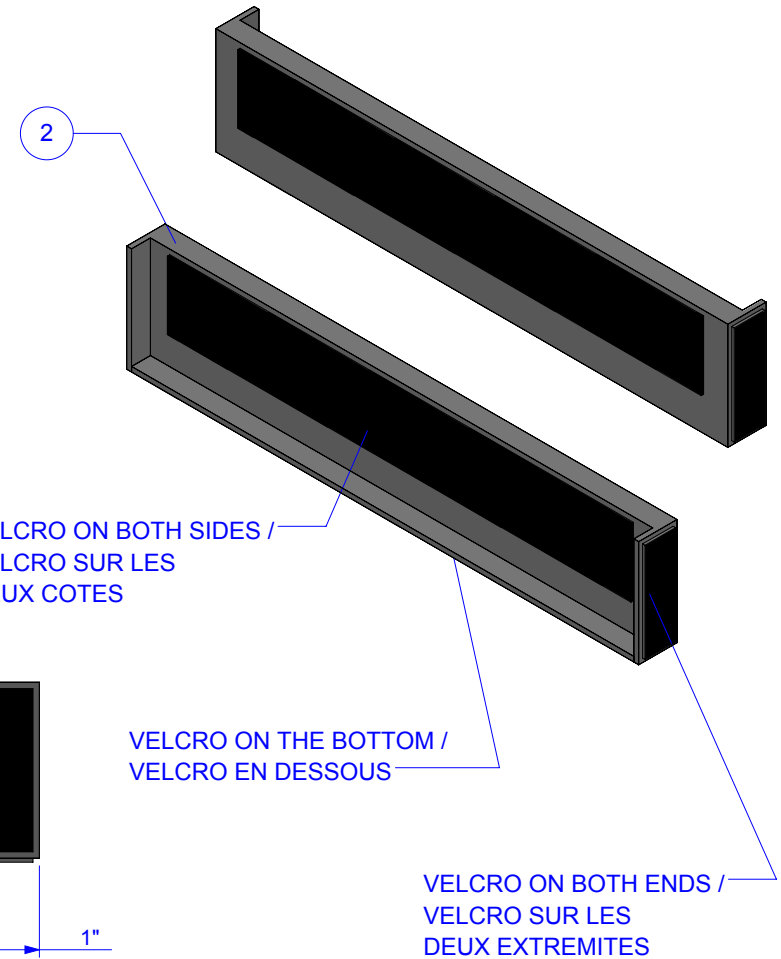


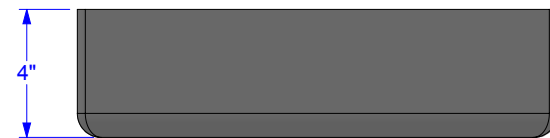
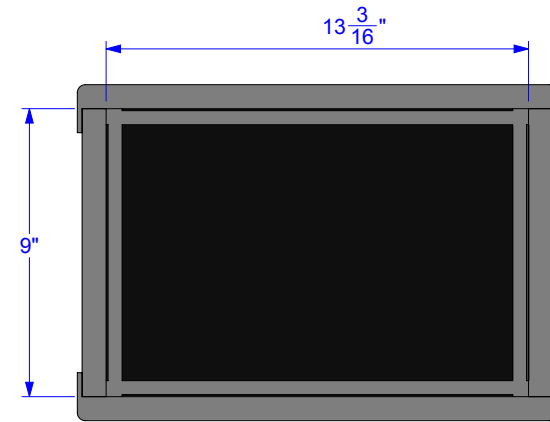
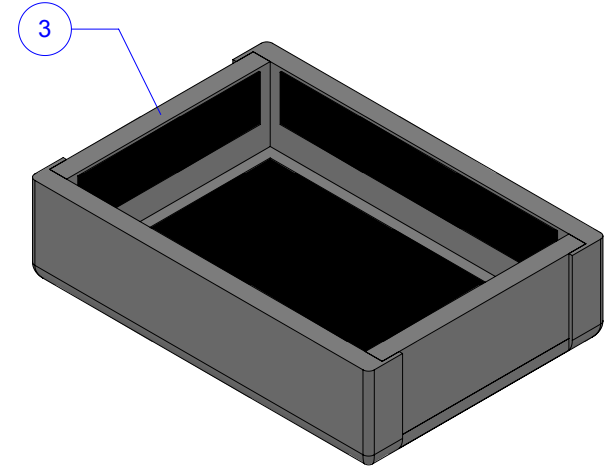
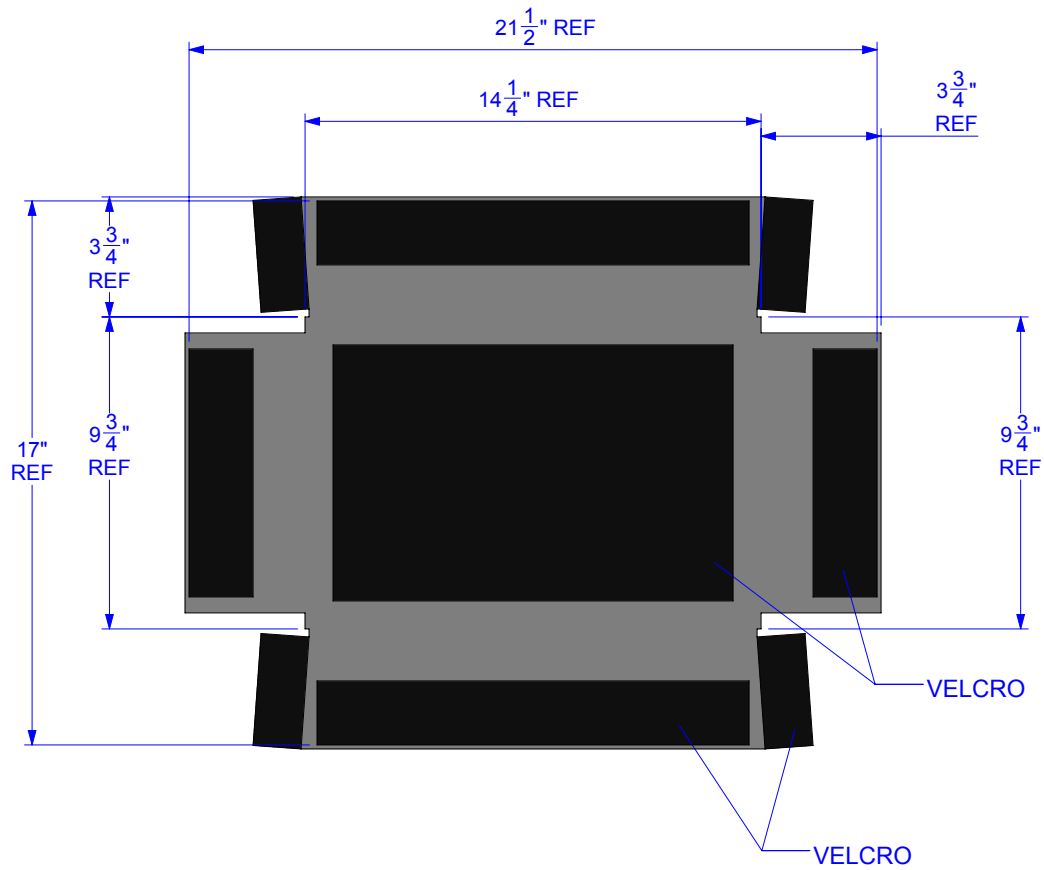
VELCRO ON BOTH ENDS /  
 VELCRO SUR LES  
 DEUX EXTREMITES

FOAM DENSITY MAY VARY.  
 DIMENSIONS ARE IN INCHES UNLESS OTHERWISE SPECIFIED



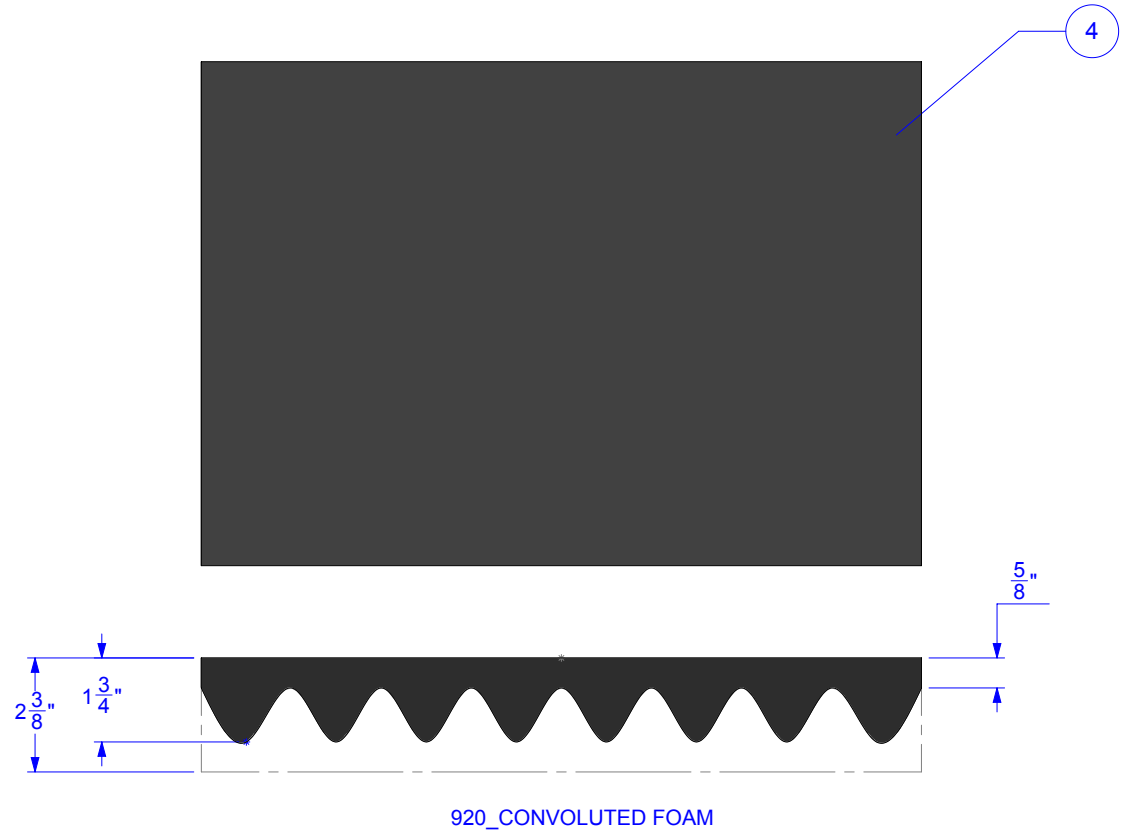
920\_PADDED DIVIDER 2.8" X 0.5" X 13.2"





920\_PADDED DIVIDER CONTOUR

FOAM DENSITY MAY VARY  
 DIMENSIONS ARE IN INCHES UNLESS OTHERWISE SPECIFIED



PUF P150-55 BLK 2 3/8" THICK 5/8" BASE MATERIAL