



1059, boulevard des Entreprises Ouest  
 Terrebonne, QC Canada J6Y 1V2  
 Tel 450-628-1006 1.800.783.6883  
 Fax 450-628-7801 1.888.783.6883  
 www.plasticase.com

PICK N PLUCK - 631-909

PROJECT

909\_NANUK

PRODUCT

00909\_NANUK\_p.00

DWG ID

STATUS

YOUR SIGNATURE IS REQUIRED FOR APPROVAL BEFORE ANY RELEASE OF PRODUCTION DRAWINGS

SIGNATURE

DATE

**TOLERANCES**

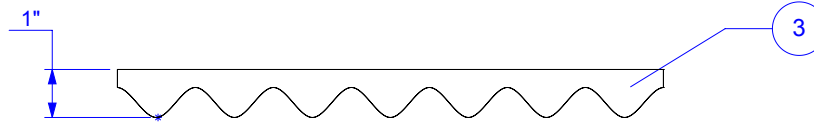
CUTOUTS +/- 1/16

OVERALL FOAM THICKNESS +/- 1/8

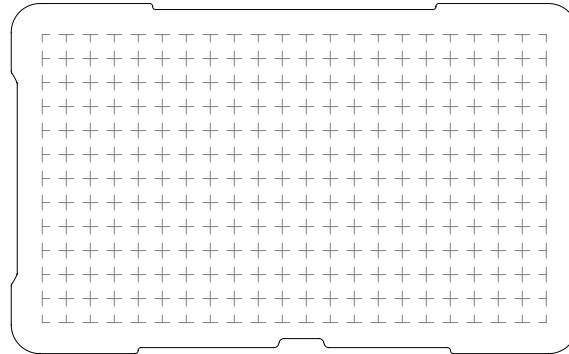
REVISIONS

REV.	DESCRIPTION	DATE	INITIALS
------	-------------	------	----------

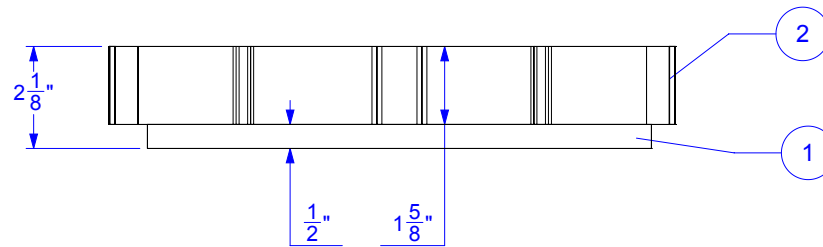
LID TRAY - ELEVATION



BASE TRAY



BASE TRAY - ELEVATION



FOAM DENSITY MAY VARY  
 DIMENSIONS ARE IN INCHES UNLESS OTHERWISE SPECIFIED

**PROPRIETARY AND CONFIDENTIAL**

THE INFORMATION CONTAINED IN THIS DRAWING IS THE SOLE & EXCLUSIVE PROPERTY OF PLASTICASE INC.  
 ANY REPRODUCTION IN PART OR WHOLE WITHOUT THE WRITTEN PERMISSION OF PLASTICASE INC. IS PROHIBITED.

DO NOT SCALE DRAWING  
 SHEET SCALE 1:4

Frank Vitiello  
 REPRESENTATIVE

Karen Dupuis  
 DESIGNER

22/09/2017  
 DATE

YOUR SIGNATURE IS REQUIRED FOR APPROVAL BEFORE ANY RELEASE OF PRODUCTION DRAWINGS

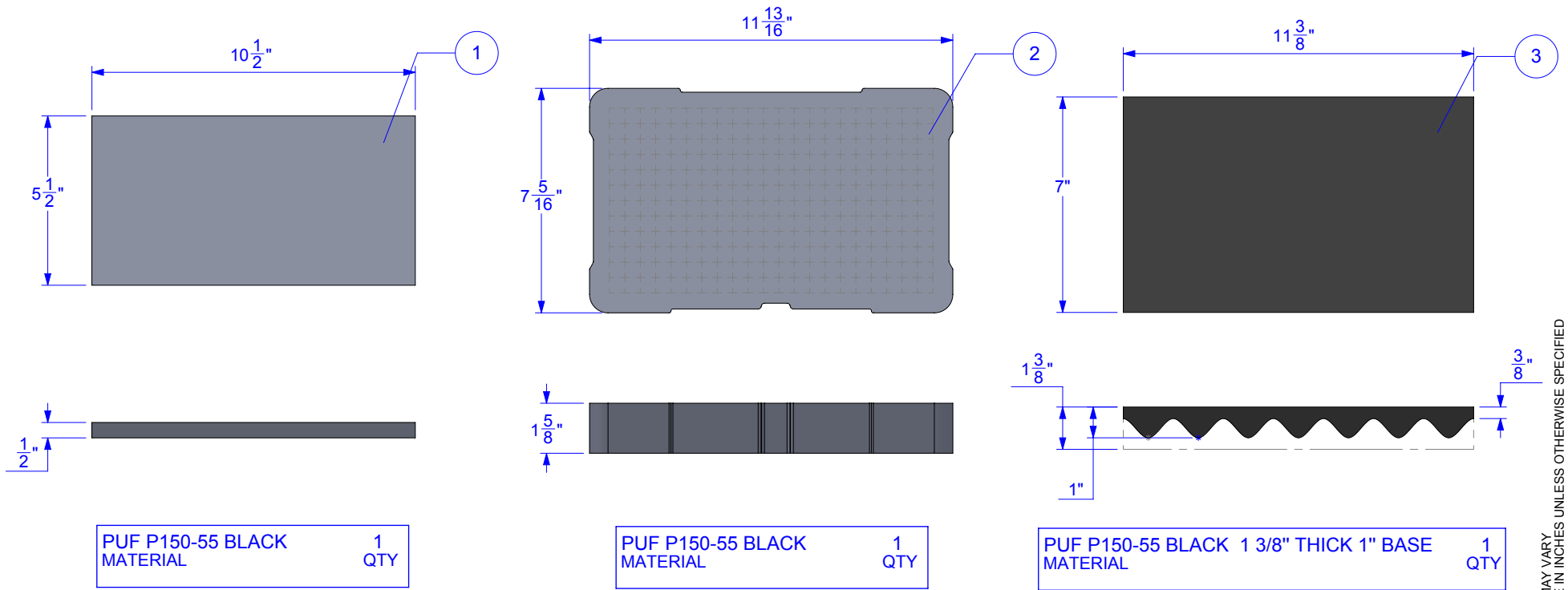
**TOLERANCES**

CUTOUTS +/- 1/16

OVERALL FOAM THICKNESS & CAVITY DEPTHS +/- 1/8

SIGNATURE

DATE



FOAM DENSITY MAY VARY. DIMENSIONS ARE IN INCHES UNLESS OTHERWISE SPECIFIED