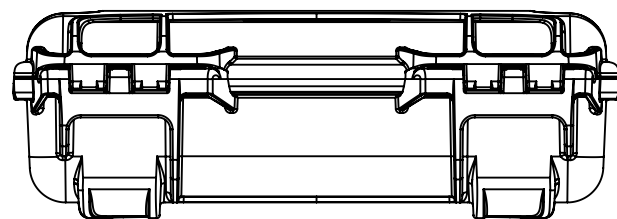
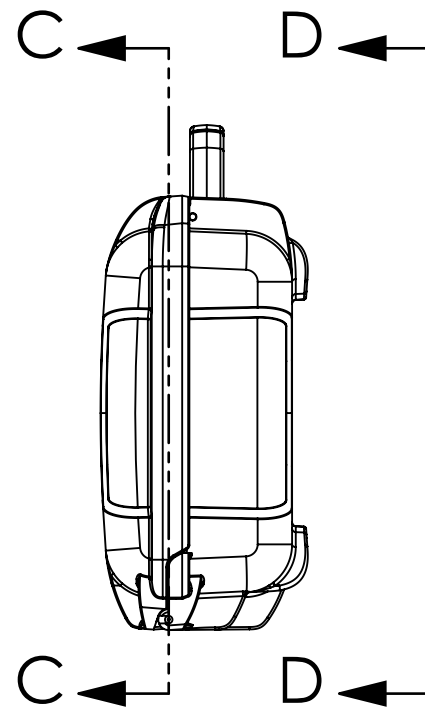
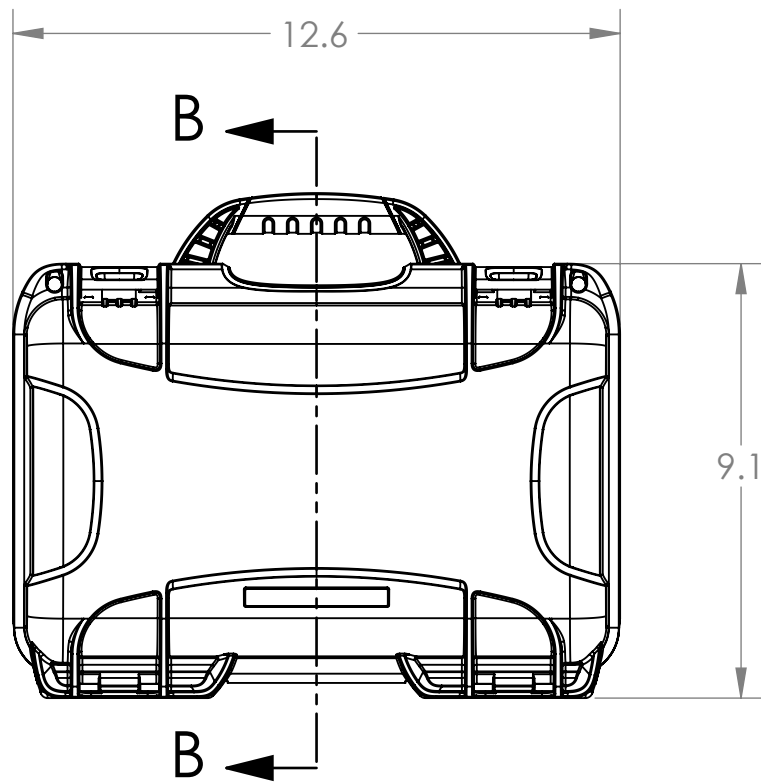
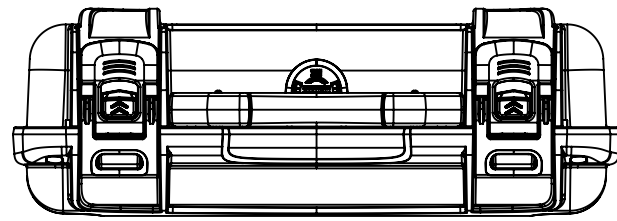


THE INFORMATION CONTAINED IN THIS DRAWING IS THE SOLE PROPERTY OF PLASTICASE ANY REPRODUCTION IN PART OR WHOLE WITHOUT THE WRITTEN PERMISSION OF PLASTICASE IS PROHIBITED.

| REVISIONS | | | |
|-----------|-------------|------|----------|
| REV. | DESCRIPTION | DATE | APPROVED |
| | | | |
| | | | |

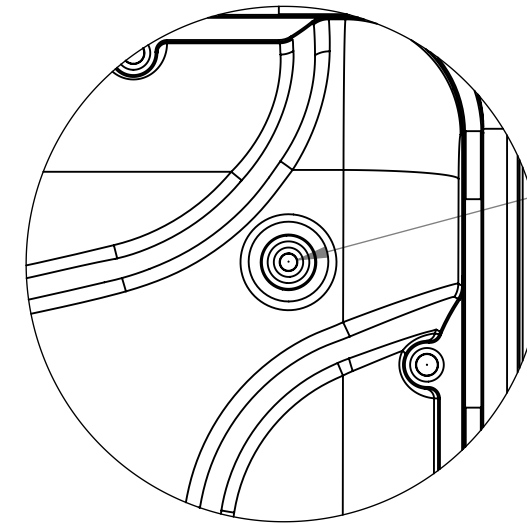


| NANUK 909 Specifications | |
|--------------------------|----------------|
| Case Weight Empty | 2.2lbs / 1kg |
| Interior Length | 11.5" / 293 mm |
| Interior Width | 7.0" / 179 mm |
| Interior Height | 3.7" / 94mm |
| Interior Lid Depth | 1.3" / 32 mm |
| Interior Base Depth | 2.4" / 61 mm |
| Exterior Length | 12.6" / 321 mm |
| Exterior Width | 9.1" / 230 mm |
| Exterior Height | 4.3" / 110 mm |
| Master Pack Qty. | 10 |
| Master Pack Wt. | 28lbs / 12.7kg |
| Max Buoyancy | 10lbs / 4.5kg |

| PARTS LIST | | | |
|---|---|------------------------|------------|
| UNLESS OTHERWISE SPECIFIED DIMENSIONS ARE IN INCHES | CAD GENERATED DRAWING, DO NOT MANUALLY UPDATE | | PLASTICASE |
| | APPROVALS | DATE | |
| MATERIAL | DRAWN | M.K. | 11/21/2017 |
| | CHECKED | | |
| FINISH | RESP ENG | | |
| | MFG ENG | | |
| DO NOT SCALE DRAWING | QUAL ENG | | |
| | SIZE B | | DWG. NO. |
| SCALE 1:4 | | CAD FILE: 909_ASSEMBLY | REV. |
| SHEET 1 OF 2 | | | |

THE INFORMATION CONTAINED IN THIS DRAWING IS THE SOLE PROPERTY OF PLASTICASE ANY REPRODUCTION IN PART OR WHOLE WITHOUT THE WRITTEN PERMISSION OF PLASTICASE IS PROHIBITED.

| REVISIONS | | | |
|-----------|-------------|------|----------|
| REV. | DESCRIPTION | DATE | APPROVED |
| | | | |
| | | | |



$\phi .093 \nabla .140$

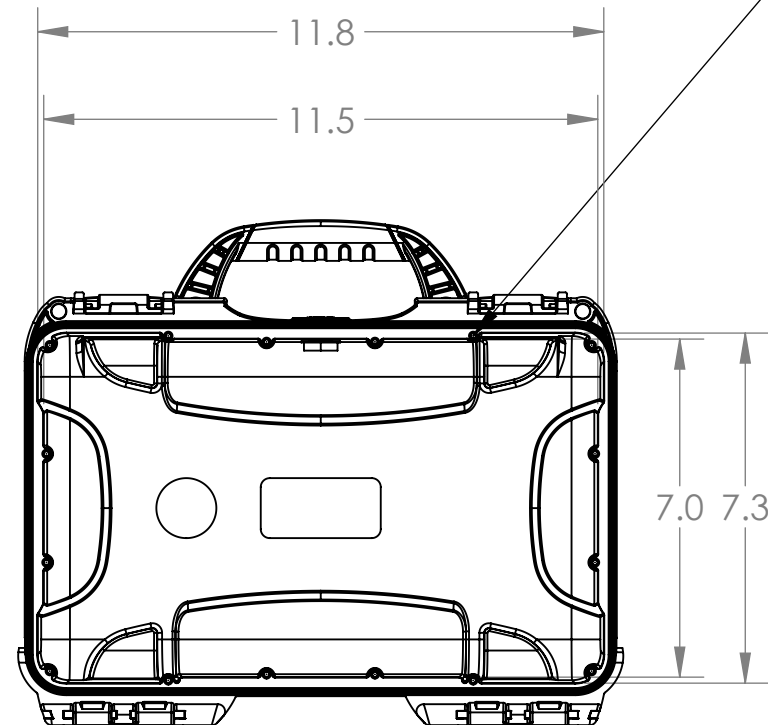
RECOMMENDED SCREWS :
#6 X 5/16" HI-LO

FOR HOLES POSITIONING
REFER TO BEZEL PLATE DRAWING

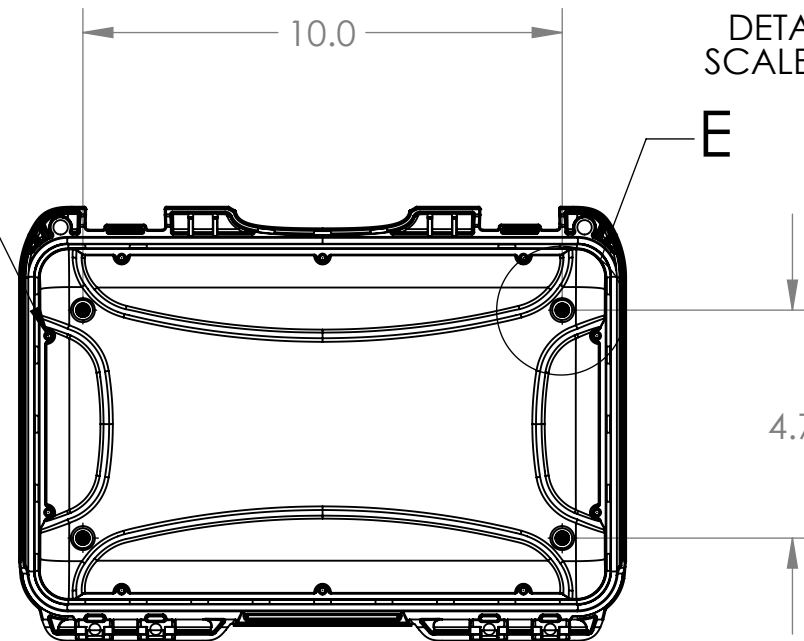
DETAIL E
SCALE 1:1

E

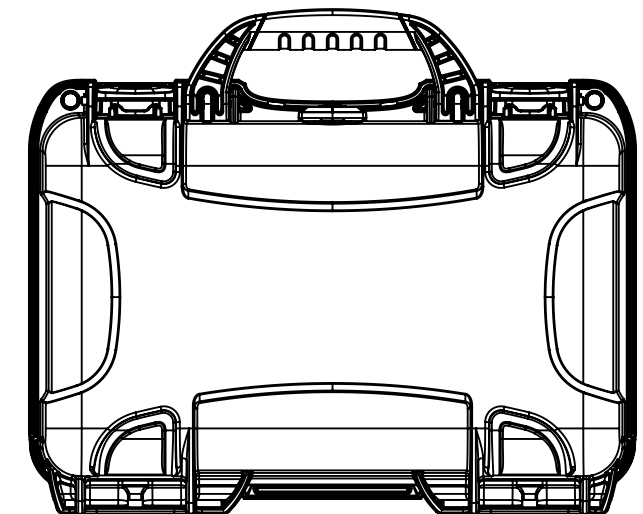
4.7



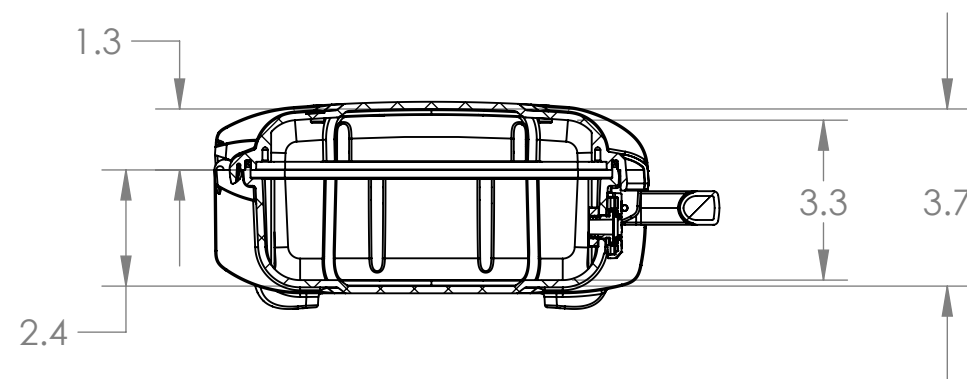
SECTION A-A
(BASE)



SECTION C-C
(LID)



SECTION D-D



SECTION B-B

| PARTS LIST | | | |
|--|--|------------------------|------------|
| UNLESS OTHERWISE SPECIFIED DIMENSIONS ARE IN INCHES | CAD GENERATED DRAWING, DO NOT MANUALLY UPDATE | | PLASTICASE |
| | APPROVALS | DATE | |
| MATERIAL | DRAWN | M.K. | 11/21/2017 |
| | CHECKED | | |
| FINISH | RESP ENG | | |
| | MFG ENG | | |
| DO NOT SCALE DRAWING | QUAL ENG | | |
| | SIZE B | | DWG. NO. |
| SCALE 1:4 | | CAD FILE: 909_ASSEMBLY | REV. |
| | | SHEET 2 OF 2 | |

NANUK 909

SCALE 1:4 CAD FILE: 909_ASSEMBLY SHEET 2 OF 2