

In-Line Seals

For Ermeto Cutting Ring Fitting, PN 250

Model

RDM 7680

Application

In-line seals are to be integrated directly into the process line. This offers best conditions for perfect production processes. In-line seals are especially suitable also for applications completely free of dead spaces, for circulating, highly viscous media and such that are inclined to swirl, and for often changing media, since in-line seals are very well cleanable. In-line seals for Ermeto cutting ring fittings are applied mainly at enamelling lines.

Important information about advantages, applications, and features can be found in our model overview 7000 where you will also find an overview of our other chemical seal series.

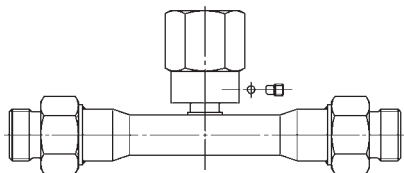
Please note especially the explanations about the influences of temperature and other special operating conditions, and the requirement of detailed ordering information resp. inquiries.

Please use our check list for pressure measuring instruments with chemical seal to ensure the completeness of all required ordering information (to find at our website, under "PDF-Download"). You can receive the check list in printed version with mail upon request.

Construction

The tube-shaped diaphragm is flush welded to the cylindrical body. The complete system is filled through a filling port located in the instrument connection part.

The in-line seal has to be mounted directly into the process line.



Do not open any connection of the system! Otherwise filling fluid will leak out and the measuring system cannot work properly anymore!

Standard Configuration

Process Connections

2 x M 18 x 1.5 (12 L) for Ermeto cutting ring fitting acc. to DIN 2353

Body

316 L (1.4435)

Diaphragm

Diaphragm tube 316 L (1.443), welded to the cylindrical body

Nominal Pressure

PN 250 max.

Instrument Connection

G 1/4 female (1/4" BSP-f), 1.4435 (316 L)

Filling Liquid

Glycerine (FN 3)

Pressure Range Measuring Instrument

Pressure gauge NCS 63 (2 1/2"): 0- 6 bar to 0- 250 bar,
0-100 psi to 0-3,000 psi

Details for other pressure measuring instruments upon request

Reference Temperature

+20 °C (+ 68 °F), dial inscription for pressure gauges: tA 20 °C



Optional Special Configurations e.g.:

- Silicone free version
- Instrument connection G 1/2, 1/2"NPT, 1/4"NPT female
- Operating temperature differing from +20 °C (+68 °F)
- Other filling fluids, suitable to the medium (FDA also)
- Capillary line between diaphragm seal and instrument (length limit upon request), or cooling element, see data sheet 7002, strongly recommended for medium temperatures >+100 °C (>+212 °F)

How to Order:

Please note the detailed information about the required ordering information

- in our model overview 7000 and our check list for measuring instruments with chemical seal
- on the data sheet for the measuring instrument that shall be attached

Model: **RDM 7680**
Process connections: **M 18x1.5**
Nominal pressure: **PN 250**
Material: **1.4435 (316 L)**
Instrument connection¹⁾: **G 1/4 (1/4" BSP-f)**

Special configurations: see above, e.g. other instrument connection, cooling element, capillary line etc.

Please point out especially when the medium or ambient temperature is different than +20 °C (+68 °F).

Example:

RDM 7680, M 18x1.5, PN 250, 1.4435, G 1/4 for instrument

¹⁾ to state only for separate ordered in-line seals



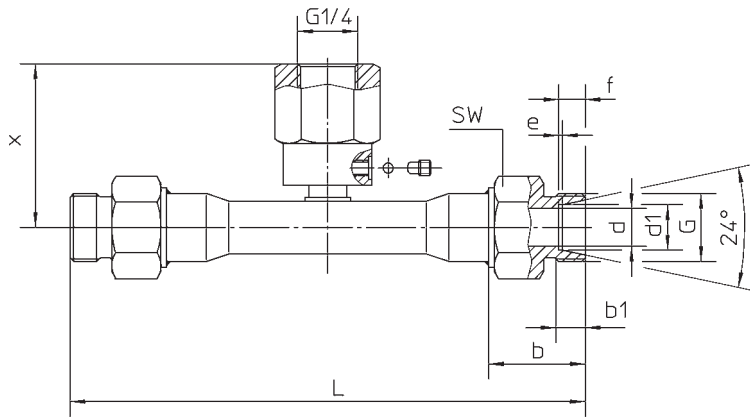
ARMATURENBAU GmbH
Manometerstraße 5 D-46487 Wesel - Ginderich
Phone: (0 28 03) 9130-0 Fax: (0 28 03) 10 35
armaturenbau.com mail@armaturenbau.com



Subsidiary Company and Sales East Germany and Eastern Europe
MANOTHERM Beierfeld GmbH
Am Gewerbepark 9 • D-08344 Grünhain-Beierfeld
Phone: (0 37 74) 58-0 Fax: (0 37 74) 58-545
manotherm.com mail@manotherm.com

7680
12/06

Dimensions and Weight



Dimensions (mm / inches) and Weight (kg / lb)

| b | b1 | d | d1 | e | f | G | L | SW | x | Weight (approx.) |
|------|-----|-----|-----|-----|-----|------------|------|-----|------|------------------|
| 25.5 | 7 | 10 | 12 | 1 | 7 | M 18 x 1,5 | 136 | 24 | 43 | .30 |
| 1 | .28 | .39 | .47 | .04 | .28 | | 5.35 | .94 | 1.69 | .66 |

The information in this leaflet is given in good faith, but we reserve the right to make changes without notice.