

Diaphragm Pressure Gauge

For chlorine metering services

With vertical diaphragm, polyamide screw ring case

PsPK

63 – 2

Information on advantages, application fields, temperature resistance, metrological features and pressure ranges of all available diaphragm pressure gauges with vertical diaphragm can be found in our model overview 4000.

Application

Diaphragm pressure gauges with vertical diaphragm model PsPK 63 – 2 have been developed especially for the application in chlorine metering services.

The lower flange of the diaphragm with the socket is made of steel, black enamelled, the wetted parts are bright. The diaphragm is protected by a silver foil, which is applicable for use under vacuum. The case made of impact resistant polyamide with screw ring protects the inner parts from all external harmful influences (chloric gas).

Standard Versions

Accuracy (DIN EN 837-3)
Class 2.5

Case and Ring
Fibre-glass reinforced polyamide 6B black, screw ring, case sealed against external influences

Degree of Protection (DIN EN 60 529/IEC 529)
IP65

Nominal Case Size
63 mm (2½")

Wetted Parts

Ordering code	Connection	Lower flange of the diaphragm	Diaphragm	O-ring sealing
- 2	steel black enamelled, wetted parts bright	steel black enamelled, wetted parts bright	steel enamelled or CuBe, for -1 / 0 to 0 – 1 bar Duratherm ^{®1)} or Inconel fine silver foil	Viton [®] (FPM)

Case Configuration

Connection: screwed
Position of the connection:
- bottom connection
- centre back connection (**rm**)
Mounting device:
- without
- for centre back connection:
- u-clamp for panel mounting (**rmT**)

Pressure Ranges (DIN EN 837-3)
0 – 1 bar to 0 – 40 bar
also corresponding vacuum and compound ranges, preferably -1 / 0 bar and 0 – 16 bar

Process Connection
G¼B bottom connection with orifice Ø 5 mm (0.2"), or centre back connection

Window
Polycarbonate (PC)



Movement
Brass/German silver

Dial
Aluminum white, scale black
Dial inscription: Cl₂

Pointer
Aluminum black

Safety Feature
Pressure relief vent

Temperature Resistance
Storage temperature: -40 °C to +70 °C (-40 °F to +158 °F)
Ambient temperature: -20 °C to +60 °C (-4 °F to +140 °F)
Medium temperature: max. +60 °C (+140 °F)

Reference Temperature
+20 °C (+68 °F)

Options

- 3-times overrange protected, max. 50 bar
- Reed switch equivalent to data sheet 1211.94

Special Versions Upon Request

- Other connection threads
- Other materials for the wetted parts, e.g. 316L
- Special scales, e.g. dual scales
- Movement stainless steel

Ordering Information

Please specify in your order:

Basic model PsPK 63
Wetted parts - 2
Case configuration bottom connection, rm or rmT
Pressure range according to DIN EN 837-3
-1 / 0 bar or 0 – 16 bar
Process connection G¼B
Specifics see above
Example: PsPK 63 – 2, 0 – 16 bar, G¼B
PsPK 63 – 2, rm, -1 / 0 bar, G¼B

¹⁾ NiCrCo-alloy

Case Configurations, Code Letters, Dimensional Data and Weight

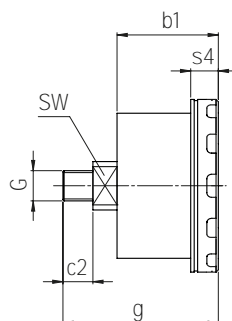
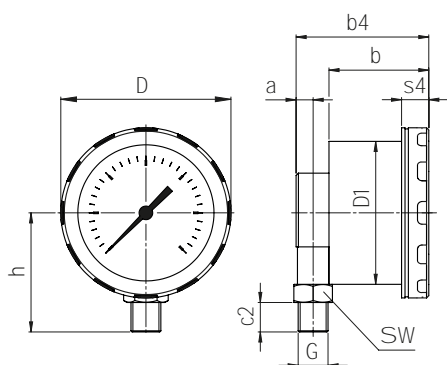
Bottom Connection

Centre Back Connection

without mounting device

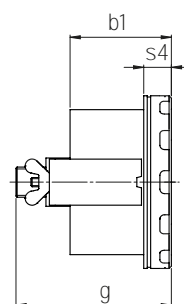
(no additional code letters)

code letters: **rm**



with mounting device

code letters: **rmT**



Dimensional Data (mm/inch) and Weight (kg/lb)

NCS	a	D	D1	b	b1	b4	c2	g	G	h ^{±1}	s4	SW	approx. weight ¹⁾
63	7	75	64	44	44	58	13	63	G ¼ B	52	12	17	0.28
2½"	0.28	2.95	2.52	1.73	1.73	2.28	0.51	2.48	¼" BSP	2.05	0.47	0.67	0.62

Pressure Ranges/Scale Division

Pressure ranges in bar according to DIN EN 837-3	Smallest subdivision of the scale (bar)	
Vacuum	-1 / 0	0.02
Compound range	-1 / +0.6	0.05
	-1 / +1.5	0.1
	-1 / +3	0.2
	-1 / +5	0.2
	-1 / +9	0.2
	-1 / +15	0.5
	-1 / +24	1.0

Pressure ranges in bar according to DIN EN 837-3	Smallest subdivision of the scale (bar)	
Pressure	0 - 1.0	0.02
	0 - 1.6	0.05
	0 - 2.5	0.1
	0 - 4	0.2
	0 - 6	0.2
	0 - 10	0.2
	0 - 16	0.5
	0 - 25	1
	0 - 40	2

¹⁾ information for version without mounting device