

# plank

HARDWARE

## HANDLE INSTALLATION GUIDE (DUAL FIXING POINT)

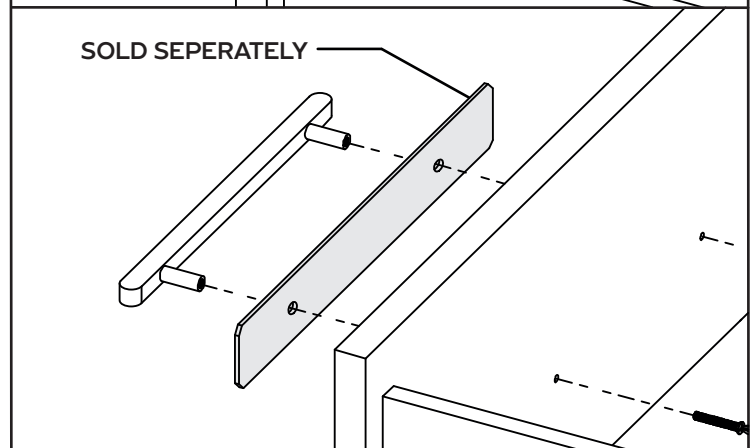
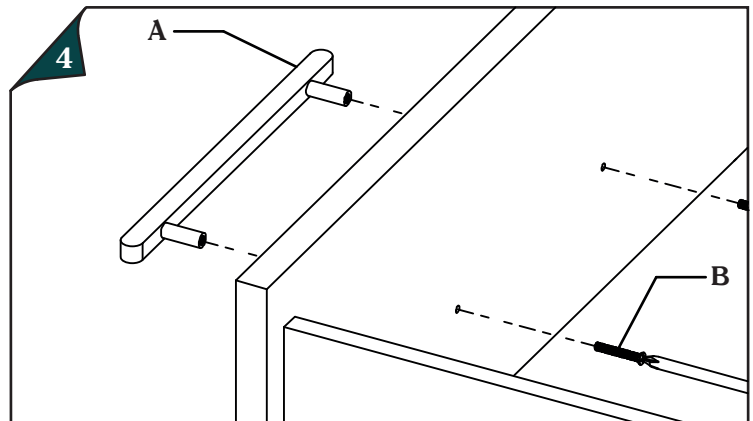
A

X1

B

X2

SOLD SEPERATELY



DO NOT CLEAN WITH ABRASIVE MATERIALS

DO NOT USE HARSH CHEMICALS

CLEAN WITH SOFT CLOTH & MILD SOAP ONLY