



Mirror flame fireplace insert with visible flame through a mirror
Warmth atmosphere.

MAIN FEATURES

TECHNICAL

Visible flame surface: L 290 mm x H 1200 mm.
Model raised or flush mounted flush with the outer profile.

END USER

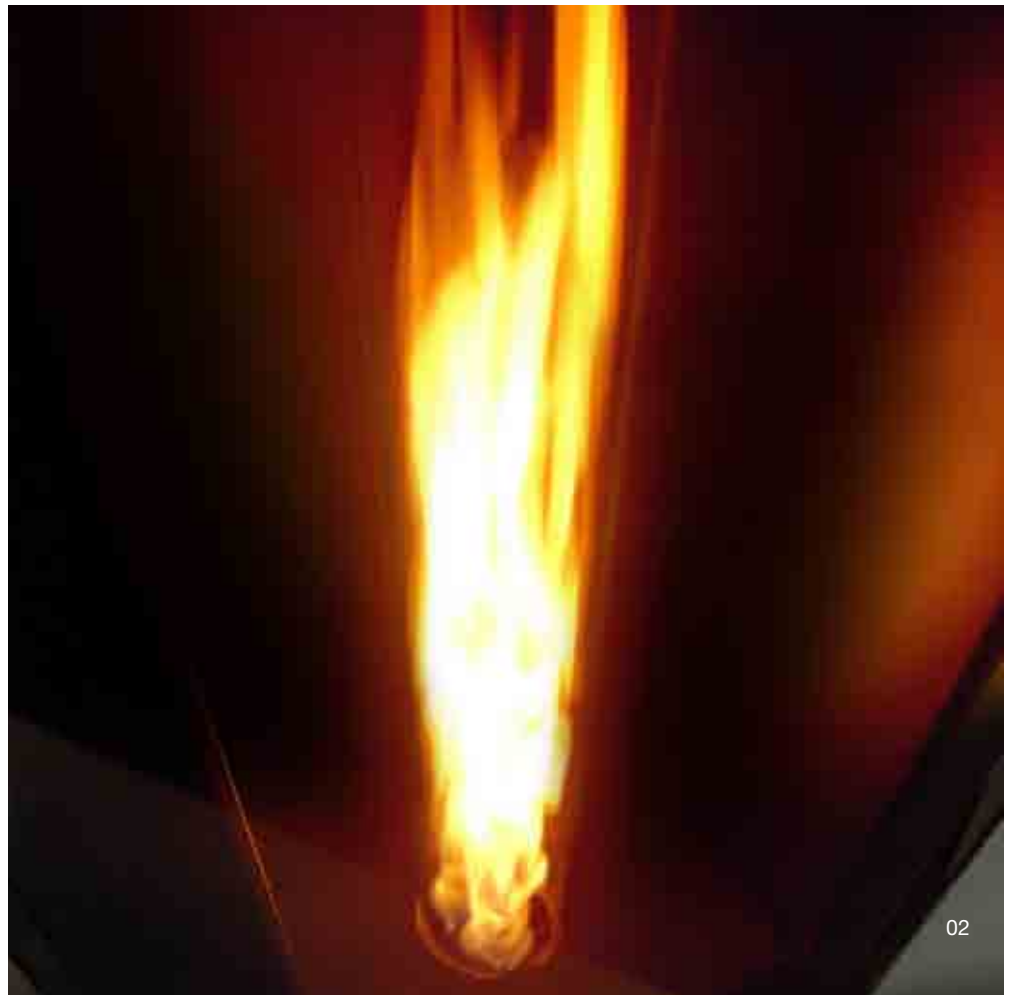
Frontal mirror disappearance while flame is running.
Creates atmosphere by a visible tall flame.
Three stages flame setting: (Min, Med, Max).

01_ Radio remote control with timer and display (optional)



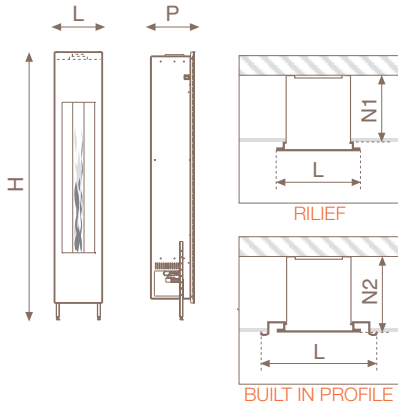
01

02_ Visible flame behind a mirror

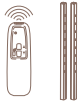


02

RANGE, SIZE AND WEIGHT



Model	RILIEF	BUILT IN PROFILE	u.m.
Length (L)	380	477	mm
Height (H)	2138	2181	mm
Width (P)	346	350	mm
Depth (N1)	310	-	mm
Depth (N2)	-	346	
Glass length	380	380	mm
Glass height	2000	2000	mm
Net weight	30	35	Kg
Gross weight	39	44	Kg

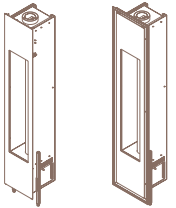


Equipped standard

- standard remote control (with no display)
- adjustable feet

NOTE: FOR THE APPLIANCE OPERATING WITH LPG, YOU MUST CHANGE THE 7TH FIGURE ON CODE, PUTTING A "L" (EXP. IN03AM L0000).

RANGE

	Model	Code	Description
	Mirror flame	IN03AM M0000	Insert with single sided mirror in relief.
	Mirror flame	IN03AM MQ000	Insert with single sided mirror built in profile.

INSTALLATION TYPOLOGIES

