

CVO FIRE 



HIGH EFFICIENCY GAS FIRES

GLASS FRONTED CHIMNEY FIRE

AWARD WINNING DESIGN: The CVO fire brand was created in 1999. We have a factory based at Newton Aycliffe in the North East of England. Our designs have been installed in properties around the world. CVO Fire has won many awards – the Price of Wales Design Award, the Homes & Gardens Design Award, the Retail Store of the Year Award and the Interbuild Energy Efficiency Award. Our products have also featured on TV programs such as Grand Designs and the Homes Show. Our high efficiency gas fires are handmade at our factory in the North East of England using locally sourced materials. Our gas fires are tested to the latest CE and BS approval standards. Our gas fires are tested to the 2014 standard for energy efficiency. This test is much stricter than earlier test standards. This approval includes tests for reliability, safety and function. The CE test standard is very strict and once awarded it allows us to manufacture our gas fires in the UK and then sell throughout Europe.

ENERGY EFFICIENCY EXPLAINED: This booklet features our new High Efficiency Fires. These have been designed to meet the latest European Union test standards for safety, reliability and efficiency. There are two factors to consider when looking for an energy efficient heating appliance, the efficiency rating of the appliance and the fuel that will be used. To secure the biggest energy saving the fuel should be gas. Gas is approximately 70% cheaper per Kw than using electric, wood or biofuel. To achieve a high energy efficiency rating the appliance must have a closed glass front. This works in two ways. It seals the chimney so that any heat generated by your heating system (radiators, under floor etc) is not lost up the chimney. The second way is that it maximises the heat radiated from the gas fire when it is switched on.

HOW TO REDUCE YOUR BILLS: By taking a direct comparison of an open flame gas fire and glass fronted gas fire you can increase the heat generated and reduce the running cost at the same time. If a fireplace has an open flame, despite whatever you may see claimed elsewhere, it is obvious that heat from the room is being lost up the chimney. So replacing that open flame fire with a glass front greatly increases the efficiency of your property.

EXAMPLE:

Open Flame Gas Fire – 6Kw, Efficiency 25%, running cost is 27p/hour, heat in the room, 1.5Kw.

Blade High Efficiency Gas Fire – 4.6Kw, Efficiency 84%, running cost 21p/hour, heat in the room, 3.9Kw.

So in the example above you have 1.6x more heat coming in to the room for 80% of the cost. Of course this is on full power so you can turn the fire down once the room is warm enough and save even more. Add to this all day long your house stays warm due to the glass front, resulting in greater savings.

USING A CHIMNEY OR FLUE: All of the high efficiency gas fires shown in this booklet can be installed within an existing brick built chimney. All types are suitable. The fires can also be installed in a flue box which allows a straight flue pipe to be used. The installation in this way is completed by the addition of a false chimney breast. Using your existing chimney is the most cost effective way of upgrading your home to high efficiency. In most instances the fires can be fitted easily with minimum building work.

FIREVAULT SHOWROOM: We have a fireplace showroom within our factory with our high efficiency gas fires on live display. There are examples of the various installation styles and materials on display. Our trained sales consultants can also discuss any special installation requirements and bespoke designs during your visit. The showroom is open Monday to Saturday, 9am to 6pm. To discuss visiting call sales on **01325-301020**.

TECHNICAL INFORMATION: We can supply all the technical information you require to decide the suitability of the product for your home prior to ordering. Most information is available from the technical section of the web site www.cvo.co.uk. We can also email install booklets, technical sheets and drawings.

PRICES & ORDERING: To obtain the latest prices and special offers call sales. Prices are also available online at our web store at www.cvofire.co.uk. Sales are direct from our factory and selected distributors in the UK and across Europe. To discuss our gas fires in greater detail and to place your order call sales on **01325-301020**, Monday to Saturday, 9am to 6pm. For trade and volume customers call to set up a trade account.

CONTENTS:

Page 2 : **High Efficiency Gas Fires Explained**

Page 3 : **HE INSET** – Bailey Fire.

Page 4 : **FR920HE** – Frameless, 920mm wide, with Logs.

Page 6 : **BLADE** – Wall Mounted, 960mm wide, with floating ribbon of flame.

Page 8 : **KOKOTO** – Wall Mounted, 960mm wide, with Pebbles.

Page 10 : **FR600HE** – Wall Mounted, 960mm wide, with ribbon of flame and pebble decor.

Our fireplace range includes many styles of gas, bio-ethanol, electric and wood burning fireplaces. Each product range has a separate brochure. If our High Efficiency Chimney Fires are not suitable we have products for all installation requirements available. To discuss your requirements in detail call sales on **01325-301020**, Monday to Saturday



Bailey HE Inset

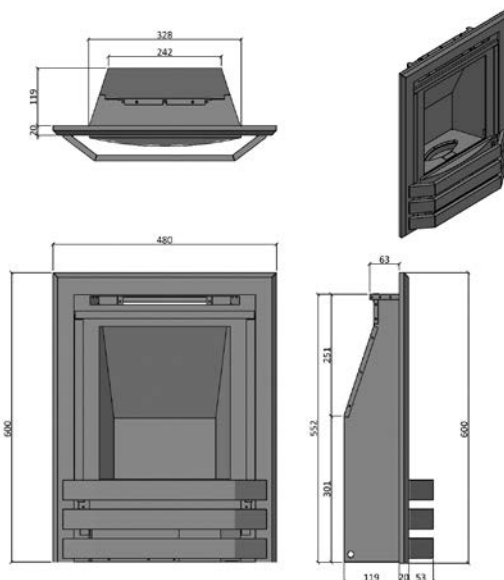
DESCRIPTION

The BAILEY Inset high efficiency gas fire is the perfect replacement for an old open flame inset fire. Designed to fit any existing inset fireplace and chimney style. This modern glass fronted gas fire are tested to latest CE standard for energy efficiency and when compared like for like with old appliances quoting efficiency ratings of up to 90% our fires came out nearly 10% higher on the new test standard. Due to the glass front a high Kw rating is not required so running costs are kept low at 10p/hour, which is a 60% saving on an old open flame version. Available with various trim styles.



TECHNICAL DATA

Model	BAILEY
Overall Size	480 (w) x 644 (h)
Power (kw)	2.5Kw
Efficiency Rating	72%
Chimney	Class 2 (5") or greater
Flue Size (mm)	127mm
Min Length (m)	3
Gas Types	Natural Gas
Ignition	Manual
Air Vent	No
Approval	BS7977:2013
Installation	Selected European Countries
Burner	Logs
Trim	Brushed, Black Finish



NOTE: This is a glass fronted fire so it will make your central heating system more efficient due to no loss up the chimney. The fire is low powered to keep running costs to a minimum - approx 10p/hour.



FR920HE

DESCRIPTION

The FR920HE frameless gas fire with logs has been tested to the latest British and CE quality standards for safety, reliability and energy efficiency. The FR920 features a ribbon gas burner with fireplace logs and embers. This gives a realistic look of wood burning – without all the mess.

This modern UK made gas fire can be installed in any property with a chimney (BS Version) or in a new build property without a chimney using a flue liner and a false chimney breast (EN Version). This glass fronted gas fire has a 6.1kW gas burner which will provide over 4.7kW of heat into the room. This modern gas fire is built at our factory in the UK to the latest 2013 CE test standard.

The fire is operated by a new modern Radio Frequency remote control system with a thermostat built into the hand set. This feature greatly increases the efficiency and energy saving potential of the gas fire. Select the desired room temperature on the hand set and the gas fire will automatically adjust the flame up and down to maintain the selected room temperature.

SPECIAL FEATURES

- 6.1Kw High Efficiency Gas Fire, UK Made.
- Approved to both BS7977:2013 and EN613.
- Frameless “Letterbox” Design Style.
- Thermostatic Remote Control System.



TECHNICAL DATA

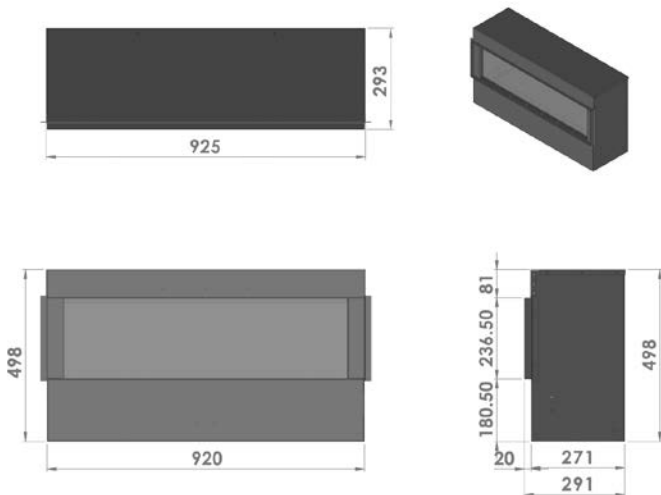
Model	FR920HE
Opening Size	920 (w) x 237 (h)
Power (kw)	6.1
Efficiency Rating	79%
Chimney	Class 2 (5”) or greater
Flue Size (mm)	127mm
Min Length (m)	2
Gas Types	Natural Gas
Ignition	Thermostatic Remote
Air Vent	No
Approval	BS7977:2013 & EN613
Installation	Selected European Countries
Enclosure	Matt Black
Trim	No Trim or Various Stone

NOTE: See technical drawing for installation requirements. The BS7977 version is for use in a brick chimney and the EN613 version is for use with a straight flue liner and false chimney breast.

INSTALLATION

Installation of the FR920HE is possible in any property with a chimney. The BS7977 version of this gas fire has minimum depth and should fit most properties with minor building work. If a property does not have a chimney installation is still possible by using the EN613 version which has a special flue adaptor that allows a straight steel pipe to be used. The final fireplace is finished with a false stud wall and plasterboard.

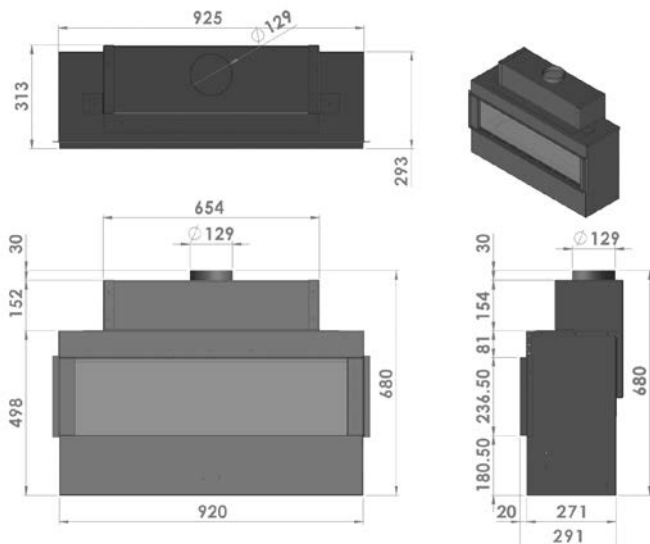
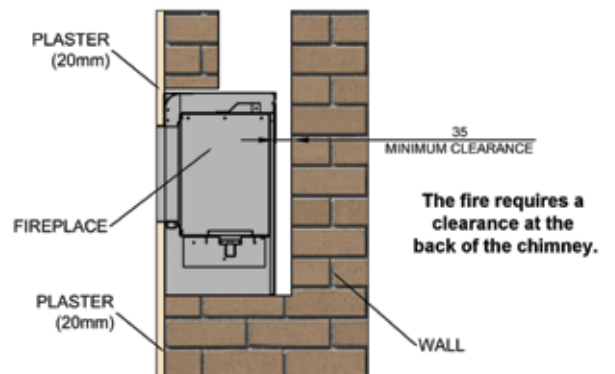
The installation images below right show examples of how the BS7977 and EN613 version would be fitted.



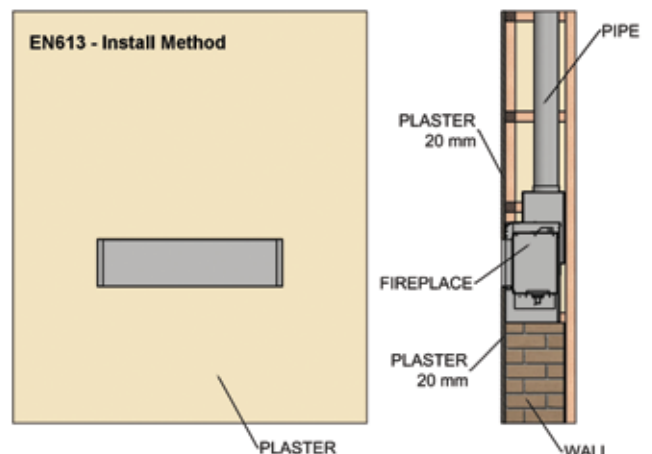
TECHNICAL

- Tested to current building codes for Energy Efficiency.
- Heat Input 6.1Kw, Heat Output 4.8Kw (on high setting).
- Running Costs approximately 27p/hour (on high setting).
- Operated by Battery Thermostatic Remote Control.
- The flame can be adjusted in 8 levels from high to low.
- Supplied with high quality fireplace logs and embers.
- EN613 Version Minimum Depth – 313mm.
- BS7977 Version Minimum Depth – 326mm.

BS7977 - Install Method



EN613 - Install Method





Blade

DESCRIPTION

The BLADE is a modern and unique fireplace. The gas burner has been designed to appear like a floating blade of steel with a ribbon of flame. This glass fronted, wall mounted, high efficiency gas fire not only provides a stunning design feature it is also very practical with a 4.6Kw gas burner and energy efficiency rating of over 84%. The fire can be supplied with a metal fascia. The fascia design allows cold air from the room to be drawn into the fire body, warmed by the fireplace casing and then warm air is pushed back into the room from the top. This increases the efficiency and warms the room up quicker, allowing the fire to be reduced to a lower setting – saving energy.

The BLADE is hand made at our factory in the UK and is tested to the latest British and CE quality standards for safety, reliability and energy efficiency. This modern gas fire can be installed in any property with a chimney or in a property without a chimney using a flue box, flue liner and a false chimney breast. The fire is operated manually.

SPECIAL FEATURES

- 4.6Kw High Efficiency Gas Fire, UK Made.
- Approved to allow a shelf above the fire.
- Approved to both BS7977:2013 and EN613.
- Stunning Floating Flame Design Feature.



TECHNICAL DATA

Model	BLADE
Opening Size	595 (w) x 379 (h)
Power (kw)	4.6
Efficiency Rating	84%
Chimney	Class 2 (5") or greater
Flue Size (mm)	127mm
Min Length (m)	3
Gas Types	Natural Gas
Ignition	Manual
Air Vent	No
Approval	BS7977:2013 & EN613
Installation	Selected European Countries
Enclosure	Matt Black
Trim	Black or Brushed Steel



Kokoto

DESCRIPTION

The KOKOTO glass fronted, wall mounted, high efficiency gas fire has been designed with a special pebble burner and a large glamorous flame. The flame dances across eight large pebbles of various colour and shape. This creates a unique design feature. The Kokoto has a large flame but was designed with a lower power rating to reduce the running costs. The gas fire has a power rating of 3.1Kw and an efficiency rating of 78%. This modern gas fire is hand made at our factory in the UK and is tested to the latest British and CE quality standards for safety, reliability and energy efficiency. The gas fire can be installed in any property with a chimney or in a property without a chimney using a flue box, flue liner and a false chimney breast. The fire is operated manually. Can be installed with shelf and TV above.

The KOKOTO gas fire is supplied with a metal fascia. The fascia design allows cold air from the room to be drawn into the fire body, warmed by the fireplace casing and then warm air is pushed back into the room from the top. This increases the efficiency and warms the room up quicker, allowing the fire to be reduced to a lower setting – saving energy.

SPECIAL FEATURES

- 3.1Kw High Efficiency Gas Fire, UK Made.
- Approved to allow a shelf above the fire.
- Approved to both BS7977:2013 and EN613.
- Pebble basket gas burner design.

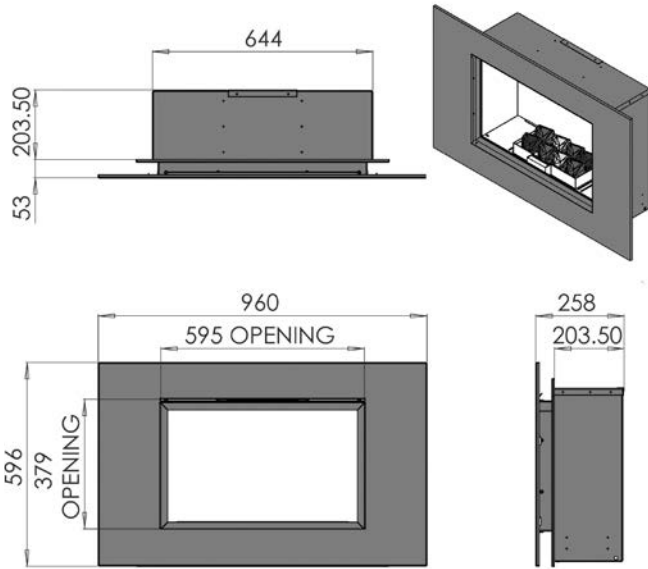


TECHNICAL DATA

Model	KOKOTO
Opening Size	595 (w) x 379 (h)
Power (kw)	3.1
Efficiency Rating	78%
Chimney	Class 2 (5") or greater
Flue Size (mm)	127mm
Min Length (m)	3
Gas Types	Natural Gas
Ignition	Manual
Air Vent	No
Approval	BS7977:2013 & EN613
Installation	Selected European Countries
Enclosure	Matt Black
Trim	Black or Brushed Steel

INSTALLATION

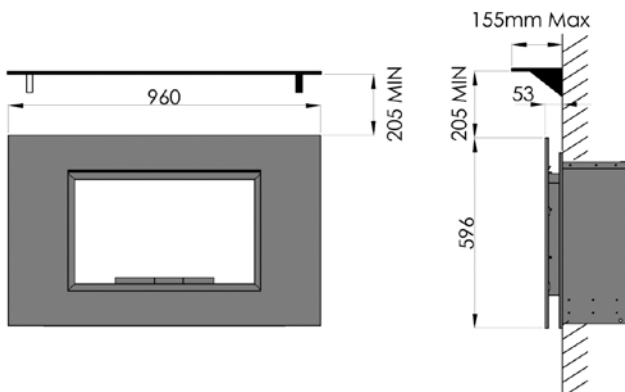
Installation of the KOKOTO is possible in any property with a chimney. The fire is designed as a cartridge to slide into a fireplace opening or the fire can be supplied with a matching flue box which allows a straight flue liner to be used. The final fireplace is finished with a false stud wall and plasterboard. The fire is approved to allow a shelf above and this is the ideal barrier so that a TV can be mounted above the shelf.



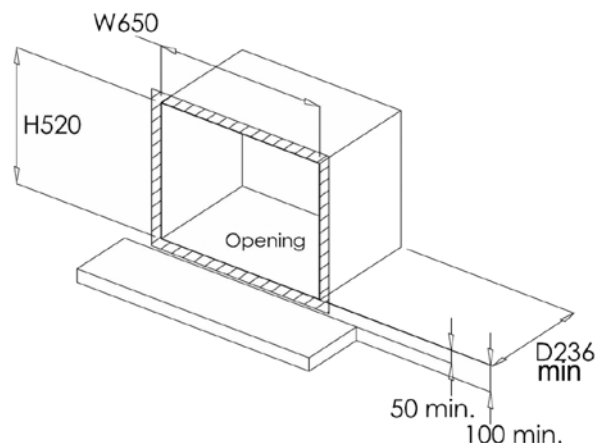
TECHNICAL

- Tested to meet building codes for Energy Efficiency.
- Heat Input 3.1Kw, Heat Output 2.4Kw (on high setting).
- Running Costs approximately 14p/hour (on high setting).
- Designed to radiate heat from around the floating fascia.
- The fascia can be supplied in metal finishes.
- The flame can be adjusted from high to low setting.
- Cartridge size – 643mm (w) x 201mm (d) x 507mm (h)
- Minimum Depth – 236mm.

A shelf can be fitted above the fire to create a barrier which then allows a TV to be mounted above the shelf.



The fire is designed to convect the cold air from the room through the inner casing and back into the room.





FR600HE

DESCRIPTION

The FR600HE glass fronted, wall mounted, high efficiency gas fire has been designed to provide a single ribbon of flame which dances within the enclosure on a bed of small chippings. This creates a modern fireplace feature with the addition of energy saving gas fire design. The FR600HE has a power rating of 3.8Kw and an efficiency rating of 83%. This modern gas fire is hand made at our factory in the UK and is tested to the latest standards for safety, reliability and energy efficiency. The gas fire can be installed in any property with a chimney or in a property without a chimney using a flue box, flue liner and a false chimney breast. The fire is operated manually. Can be installed with shelf and TV above.

The FR600HE gas fire is supplied with a metal fascia. The fascia design allows cold air from the room to be drawn into the fire body, warmed by the fireplace casing and then warm air is pushed back into the room from the top. This increases the efficiency and warms the room up quicker, allowing the fire to be reduced to a lower setting – saving energy.

SPECIAL FEATURES

- 3.8Kw High Efficiency Gas Fire, UK Made.
- Approved to allow a shelf above the fire.
- Approved to both BS7977:2013 and EN613.
- Dancing Ribbon Of Flame Burner Design.

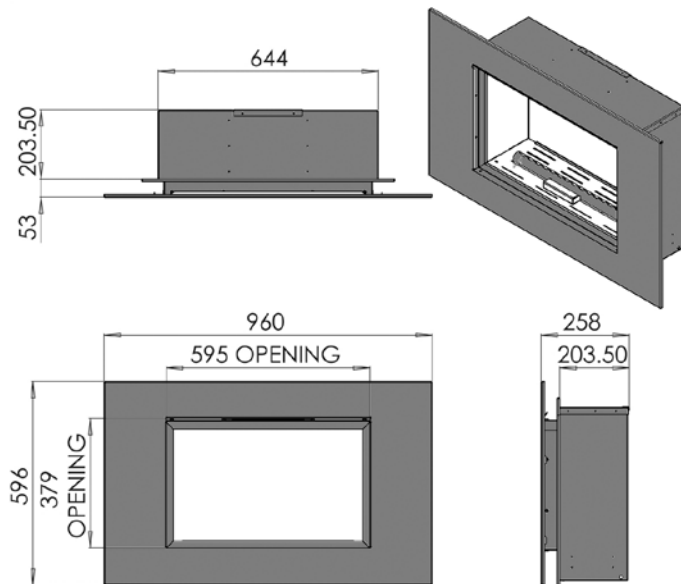


TECHNICAL DATA

Model	FR600HE
Opening Size	595 (w) x 379 (h)
Power (kw)	3.8
Efficiency Rating	83%
Chimney	Class 2 (5") or greater
Flue Size (mm)	127mm
Min Length (m)	3
Gas Types	Natural Gas
Ignition	Manual
Air Vent	No
Approval	BS7977:2013 & EN613
Installation	Selected European Countries
Enclosure	Matt Black
Trim	Black or Brushed Steel

INSTALLATION

Installation of the FR600HE is possible in any property with a chimney. The fire is designed as a cartridge to slide into a fireplace opening or the fire can be supplied with a matching flue box which allows a straight flue liner to be used. The final fireplace is finished with a false stud wall and plasterboard. The fire is approved to allow a shelf above and this is the ideal barrier so that a TV can be mounted above the shelf.

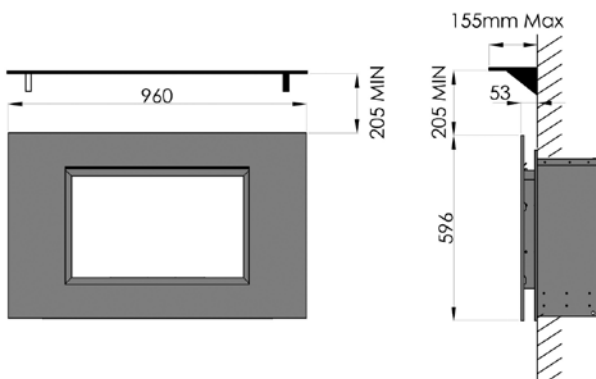


TECHNICAL

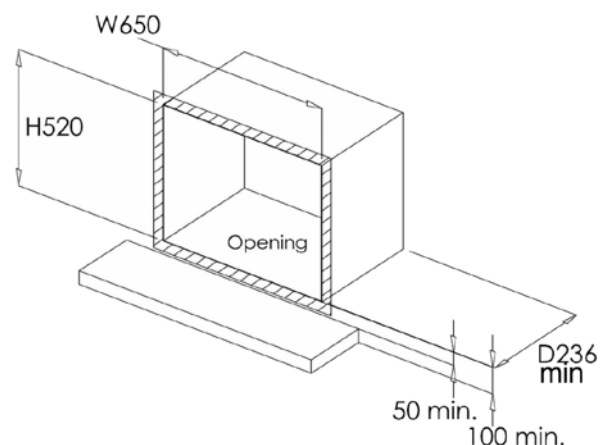
- Tested to meet building codes for Energy Efficiency.
- Heat Input 3.8Kw, Heat Output 3.1Kw (on high setting).
- Running Costs approximately 17p/hour (on high setting).
- Designed to radiate heat from around the floating fascia.
- The fascia can be supplied in metal finishes.
- The flame can be adjusted from high to low setting.
- Cartridge size – 643mm (w) x 201mm (d) x 507mm (h)
- Minimum Depth – 236mm.



A shelf can be fitted above the fire to create a barrier which then allows a TV to be mounted above the shelf.



The fire is designed to convect the cold air from the room through the inner casing and back into the room. Maximising the efficiency and heat output.



CVO FIRE



For additional details, technical specifications and prices call
Sales: Monday to Saturday, 9am to 6pm
or email: sales@cvo.co.uk

CVO FIRE is a brand of Spirit Fires Limited
4 Beaumont Square, Aycliffe Industrial Park
Newton Aycliffe, Co. Durham DL5 6XN

Call: 01325 301020
Email: sales@cvo.co.uk
Web: www.cvo.co.uk



High Efficiency (Chimney)



RETAIL PRICE LIST

SKU	Product Name	RRP (inc VAT)
X-BAI-003	Bailey HE (Hole in the Wall) Inset Gas Fire - Brushed Steel Trim - Natural Gas	729.00
X-BAI-004	Bailey HE (Hole in the Wall) Inset Gas Fire - Satin Black Trim - Natural Gas	729.00
X-BAI-002	Bailey HE Inset Gas Fire - Brushed Steel Trim - Natural Gas	699.00
X-BAI-001	Bailey HE Inset Gas Fire - Satin Black Trim - Natural Gas	699.00
X-BLD-02	Blade HE Fire - Brushed Steel Trim - Natural Gas	1,799.00
X-BLD-01	Blade HE Fire - Satin Black Trim - Natural Gas	1,799.00
P-CC200	Blade/FR600/Kokoto Zintec Flue Box [125mm Spigot] - Rev 2	340.00
X-HEFR-01	FR600 HE Fire - Brushed Steel Trim - Natural Gas	1,339.00
X-HEFR-02	FR600 HE Fire - Satin Black Trim - Natural Gas	1,339.00
P-JC003	FR920 4pc Black Granite Fascia [Bonds Direct to Wall]	349.00
P-JC002	FR920 4pc Limestone Fascia [Bonds Direct to Wall]	285.00
X-HEFR-04	FR920 High Efficiency Gas Fire [BS 7977 Version] - Natural Gas	2,499.00
X-HEFR-05	FR920 High Efficiency Gas Fire [EN613 Version] with Flue Box Fitted - Natural Gas	2,699.00
X-KOK-01	Kokoto HE Fire - Brushed Steel Trim - Natural Gas	1,339.00
X-KOK-02	Kokoto HE Fire - Satin Black Trim - Natural Gas	1,339.00

Note: Only the Natural Gas version is shown on the price list however fires are also available for use with LPG/Propane. To calculate the price of the LPG/Propane version add £44. Prices valid for 30 days from published date below and include VAT @ 20%. For the latest offers and to place your order **Call Sales on 01325-301020, Monday to Saturday 9am to 6pm**. For images, videos and technical specifications visit our web site at www.cvo.co.uk. Fires are available for all installation types and fuel types – gas, wood, bioethanol and electric. To receive information on our other ranges, call sales. Trade accounts are set up upon application.

Spirit Fires Ltd, Unit 4, Beaumont Square, Durham Way South, Newton Aycliffe, County Durham, DL5 6XN

CVO FIRE 



HIGH EFFICIENCY INSET GAS FIRES

FIRES AND SURROUNDS

OVER 25 YEARS OF EXPERIENCE WITH MARBLE & GRANITE

These stone surrounds are created from the finest limestone, granite, micro and natural marble and our extensive product range, along with our bespoke service means we are able to cater to all style preferences. Our commitment to an efficient supply chain allows us to consistently provide excellent value.

Our products are designed in house in Huddersfield, West Yorkshire, and produced to a consistently high standard of quality in our dedicated 100, 000 ft2 of manufacturing and warehousing

Space, housing nearly a thousand tonnes of marble and granite. Marble and granite are wonderful materials to work with, but getting the best product can often be challenging. We source the highest quality marble and granite from quarries located around the world, with each slab individually inspected by our marble experts.

Once products have been cut, they are then assembled and packed by hand, ensuring our quality is never compromised.



AFFORDABLE LUXURY MADE TO MEASURE

FIREPLACES – Our extensive range of fireplaces combined with our bespoke service ensures that there is something to suit all tastes and styles of interior design.



Fire not included*

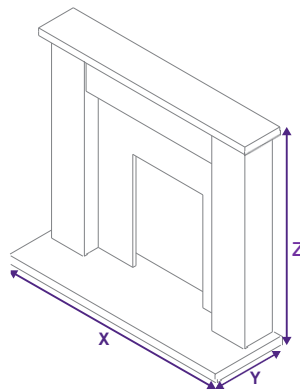
Sorento

Fireplace surround set

Shown in Beige Stone

Curved header with double shelf and lipped hearth

Downlights Included



48"

X:1219mm

Y:381mm

Z:1087mm

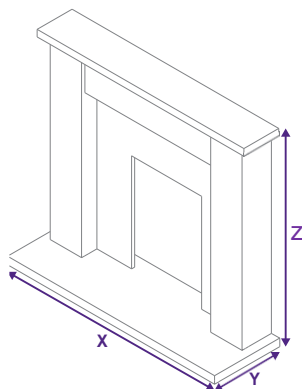


Fire not included*

MADRID

Fireplace surround set

Downlights Included



48"

X:1219mm

Y:381mm

Z:1062mm



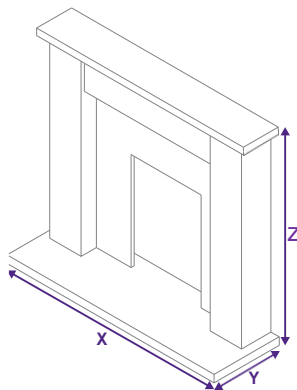
Fire not included*

MONACO

Fireplace surround set

Curve detail edging

Downlights Included



48"

X:1372mm

Y:381mm

Z:1062mm



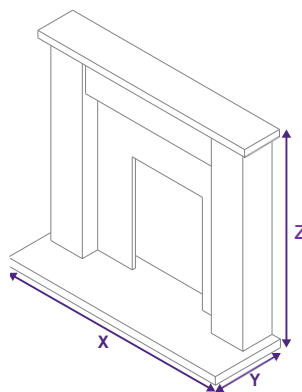
Fire not included*

VALENCIA

Fireplace surround set

Arched header with corbels and double hearth

Downlights Included



48"

X:1219mm

Y:381mm

Z:1092mm

54"

X:1372mm

Y:381mm

Z:1172mm



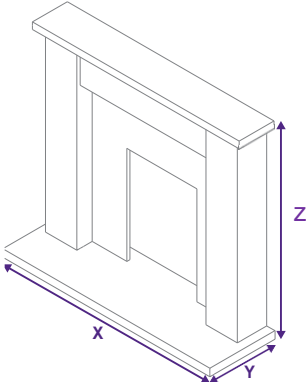
Fire not included*

VENICE

Fireplace surround set

Bolero shown in China White. Cuba shown in Black Granite

Downlights Included



48"	54"
X:1219mm	X:1372mm
Y:381mm	Y:381mm
Z:1102mm	Z:1182mm



Fire not included*

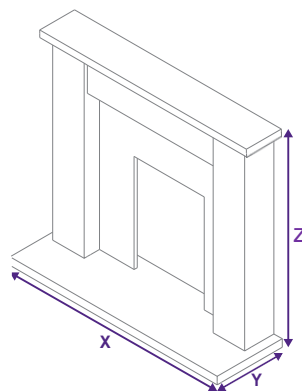
CHARLTON

Fireplace surround set

Shown in Roman Stone

Arched header with stone detail finish

Downlights Included



48"

X:1219mm

Y:381mm

Z:1062mm

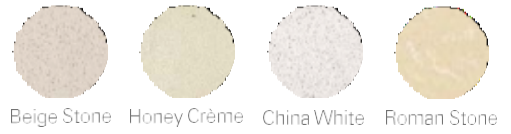
54"

X:1372mm

Y:381mm

Z:1062mm

The Marseille & Trieste are available in:



Fire not included*

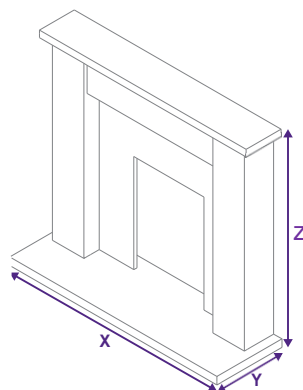
MARSEILLE

Fireplace surround set

Shown in China White

Double shelf with curved detail

Downlights Included



48"

X:1219mm

Y:381mm

Z:1102mm

54"

X:1372mm

Y:381mm

Z:1182mm



Fire not included*

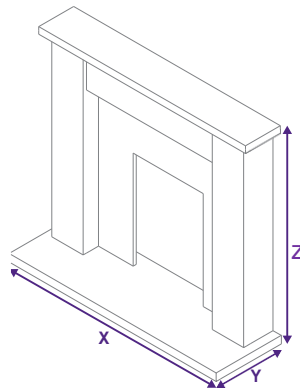
TRIESTE

Fireplace surround set

Shown in Beige Stone

Double shelf with curved stepped design

Downlights Included



48"

X:1219mm

Y:381mm

Z:1107mm

54"

X:1372mm

Y:381mm

Z:1182mm



B A I L E Y

H I G H E F F I C I E N C Y G A S F I R E

BAILEY

CHIMNEY (HE) GAS FIRE

Cover: BAILEY - with Black Trim and Charlton Surround.
Below: BAILEY - with Black Trim and Charlton Surround.



THE BAILEY HAS BEEN DESIGNED WITH LOGS TO CREATE THE LOOK OF A WOOD BURNING FIREPLACE COMBINED WITH ENERGY SAVING.

The 2.5Kw BAILEY high efficiency inset gas fire with fireplace logs has a beautiful flame and will help to reduce your overall heating bills. By removing an old open inset gas fire with a BAILEY you can get 20% more heat for 60% less cost. The BAILEY will fit any existing standard UK traditional fireplace and chimney. The BAILEY can be supplied as gas fire only to upgrade any existing fireplace or with a wide selection of traditional fireplace surrounds and hearths. This is a room sealed gas fire and no external air ventilation is required. Complies with the latest building regulations and SAP requirements for new build homes.

“BEAUTIFUL FIRE THAT SAVES MONEY”

- CE approved 2.5kw high efficiency gas fire, Natural Gas only.
- Operated by piezo manual control ignition system.
- Suitable for upgrading existing inset installations to high efficiency.
- Requires a Class 2, Class 1 or Pre-Cast flue system.
- Room sealed - no additional room ventilation required.
- Trims available in Black steel or Brushed Stainless steel.
- Sold as a fire only or a complete traditional fireplace package.
- For full specification, pictures and videos visit www.cvo.co.uk

Call: 01325 301020
Email: sales@cvo.co.uk
Web: www.cvo.co.uk



GLASS FRONTED FIRE



BAILEY with Fireplace Logs & Black Trim (a Stainless trim is available).

ENERGY RATING 72%

EFFICIENCY CLASS : 1
NOX CLASS : 3

NEW BUILD: The Bailey has been designed to meet SAP regulations for new build properties.

How the BAILEY can save you money. If you remove an old 6kw inset fire and replace it with a BAILEY glass fronted fire you will get the **20% more heat** and save **60% in running costs**. That could mean a saving of over **£100 a year** with normal usage.

OLD INSET FIRE

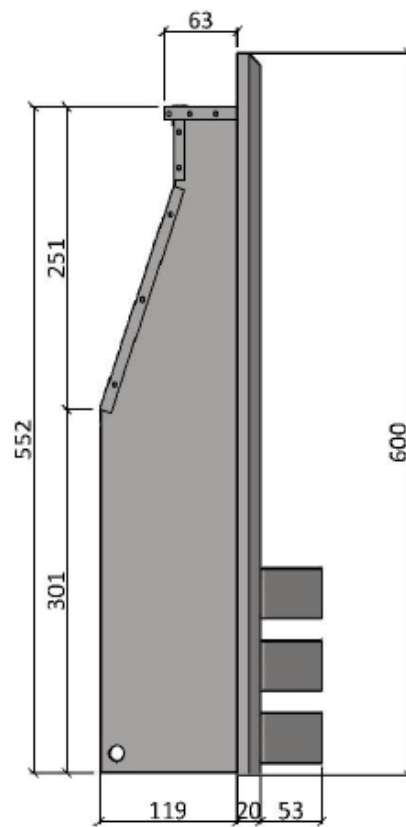
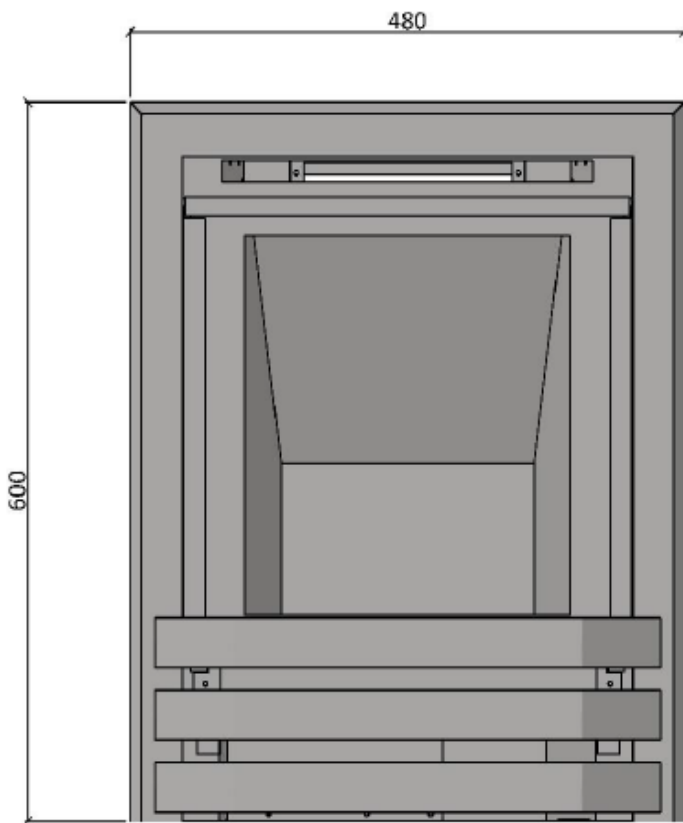
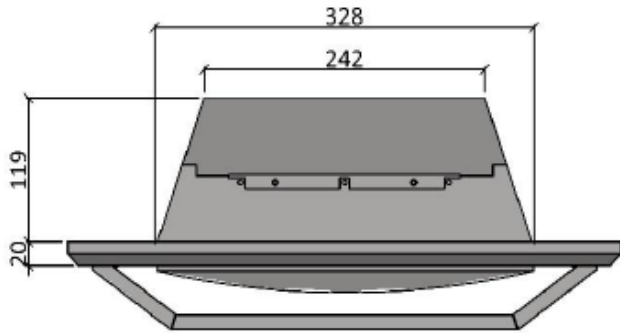
6.0kw x 25% = 1.5kw in room, running cost = 27p/hour

BAILEY INSET GAS FIRE

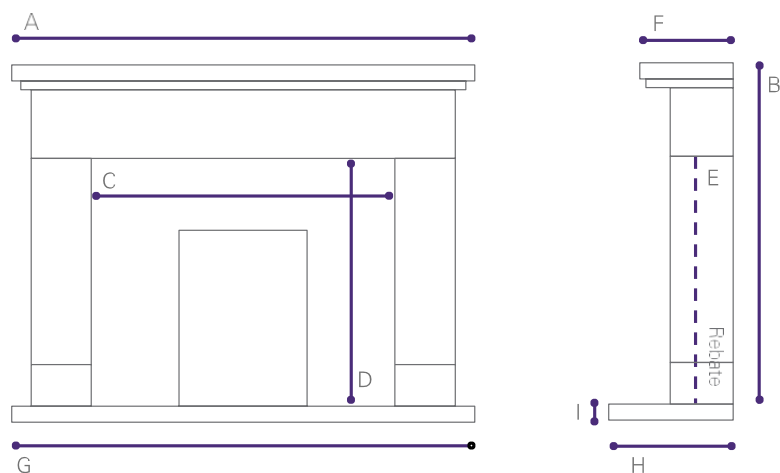
2.5kw x 72% = 1.8kw in room, running cost = 11p/hour



Technical Drawing



PRODUCT SPECIFICATIONS



All measurements given are in millimetres*

	A	B	C	D	E	F	G	H	I
<i>Charlton 48"</i>	1219	1005	737	800	25	235	1219	381	57
<i>Charlton 54"</i>	1365	1005	795	800	25	235	1372	381	57
<i>Madrid 48"</i>	1219	1005	790	745	25	196	1219	381	57
<i>Marseille 48"</i>	1215	1045	735	775	25	223	1219	381	57
<i>Marseille 54"</i>	1355	1125	815	835	25	223	1372	381	57
<i>Monaco 54"</i>	1355	1005	805	750	25	207	1372	381	57
<i>Sorento 48"</i>	1219	1030	808	845	25	180	1219	381	57
<i>Trieste 48"</i>	1215	1050	655	762	25	223	1219	381	57
<i>Trieste 54"</i>	1355	1125	715	797	25	223	1372	381	57
<i>Valencia 48"</i>	1215	1035	715	790	25	207	1219	381	57
<i>Valencia 54"</i>	1355	1115	785	835	25	207	1372	381	57
<i>Venice 48"</i>	1215	1045	760	825	25	207	1219	381	57
<i>Venice 54"</i>	1355	1125	855	895	25	207	1372	381	57

MARBLE & GRANITE SAMPLES

The marble and granite colour swatches shown throughout this brochure are a representational image of the materials used to produce our products. Material samples are available upon request.

SPIRIT FIRES



Spirit Fires Limited

Unit 4 Beaumont Square • Durham Way South
Newton Aycliffe • Co. Durham • DL5 6XN

T: 01325 301020 • F: 01325 327292
E: sales@cvo.co.uk • W: www.cvo.co.uk

Follow us on  @spiritfires

Registered in England : 6115228

HE Inset Surrounds



RETAIL PRICE LIST

SKU	Product Name	RRP (inc VAT)
P-JC346	Charlton - Roman Stone Surround, Backing, 48" Hearth & 1" Rebate	729.00
P-JC347	Charlton - Roman Stone Surround, Backing, 48" Hearth, 1" Rebate & Lights	749.00
P-JC344	Charlton - Roman Stone Surround, Backing, 54" Hearth & 1" Rebate	749.00
P-JC345	Charlton - Roman Stone Surround, Backing, 54" Hearth, Lights & 1" Rebate	749.00
P-JC376	Madrid 48" China White with Lights 1" Rebate	729.00
P-JC356	Marseille - China White Surround, Backing, 54" Hearth & 1" Rebate	749.00
P-JC357	Marseille - China White Surround, Backing, 54" Hearth, 1" Rebate & Lights	749.00
P-JC339	Marseilles - White, Surround, Backing, 48" Hearth & 1" Rebate	729.00
P-JC368	Marseilles White Surround, Backing, 48" Hearth, 1" Rebate & Lights	729.00
P-JC362	Monaco - Beige Stone Surround, Backing, 54" Hearth & 1" Rebate	795.00
P-JC363	Monaco - Beige Stone Surround, Backing, 54" Hearth, 1" Rebate & Lights	795.00
P-JC354	Sorento -Beige Stone Surround, Backing, 48" Hearth & 1" Rebate	659.00
P-JC355	Sorento -Beige Stone Surround, Backing, 48" Hearth , 1" Rebate & Lights	659.00
P-JC364	Trieste - Beige Stone Surround, Backing, 48" Hearth & 1" Rebate	729.00
P-JC365	Trieste - Beige Stone Surround, Backing, 48" Hearth, 1" Rebate & Lights	729.00
P-JC366	Trieste - Beige Stone Surround, Backing, 54" Hearth & 1" Rebate	775.00
P-JC367	Trieste - Beige Stone Surround, Backing, 54" Hearth, 1" Rebate & Lights	775.00
P-JC296	Trieste - China White Surround, Backing, 48" Hearth, 1" Rebate & Lights	749.00
P-JC348	Valencia - Beige Stone Surround, Backing, 48" Hearth & 1" Rebate	729.00
P-JC349	Valencia - Beige Stone Surround, Backing, 48" Hearth, 1" Rebate & Lights	729.00
P-JC350	Valencia - Beige Stone Surround, Backing, 54" Hearth & 1" Rebate	749.00
P-JC351	Valencia - Beige Stone Surround, Backing, 54" Hearth, 1" Rebate & Lights	749.00
P-JC341	Venice - Roman Stone Surround, Back, 54" Hearth, 1" Rebate & Lights	775.00
P-JC342	Venice - Roman Stone Surround, Backing, 48" Hearth & 1" Rebate	749.00
P-JC343	Venice - Roman Stone Surround, Backing, 48" Hearth, Lights & 1" Rebate	749.00
P-JC340	Venice - Roman Stone Surround, Backing, 54" Hearth & 1" Rebate	775.00

Note: Only the Natural Gas version is shown on the price list however fires are also available for use with LPG/Propane. To calculate the price of the LPG/Propane version add £44. Prices valid for 30 days from published date below and include VAT @ 20%. For the latest offers and to place your order **Call Sales on 01325-301020, Monday to Saturday 9am to 6pm**. For images, videos and technical specifications visit our web site at www.cvo.co.uk. Fires are available for all installation types and fuel types – gas, wood, bioethanol and electric. To receive information on our other ranges, call sales. Trade accounts are set up upon application.

Spirit Fires Ltd, Unit 4, Beaumont Square, Durham Way South, Newton Aycliffe, County Durham, DL5 6XN

SPIRIT FIRES LIMITED

Printed: 20/06/2019