

CVO FIRE 

Gas Space Heaters



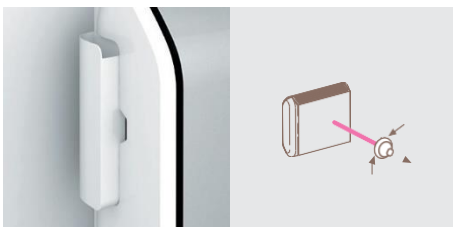




Poster	30	50	70	90
Power	2,32	4,34	6,25	7,74
Width	535	685	835	985
Depth	200			
Height	585			



- Manual piezoelectric ignition.
- No need for electrical power supply.
- No ventilation fan.
- A pilot flame with safety device with a thermocouple.
- Modulating gas valve for automatic regulation of heat output.

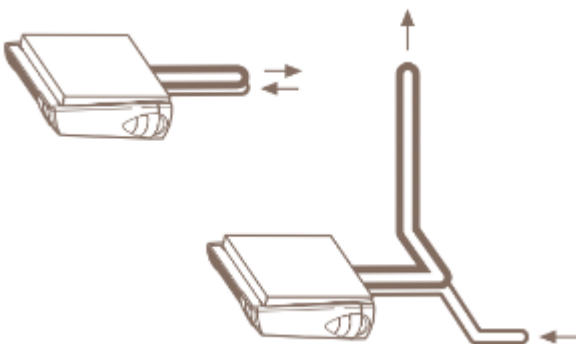


<b>Eco</b>	<b>18</b>	<b>30</b>	<b>45</b>
Power	1,79	3,02	4,33
Width	462	642	822
Depth	225		
Height	585		





MADE IN ITALY



Poster	40	60	80	90
Power	3,5	5,85	7,4	9,1
Width	508	658	808	958
Depth	580			
Height	225			

	Eco SC			Poster PSW				Stratos MB				u.m.
	18	30	45	40	60	80	90	30	50	70	90	
Exhaust type	C11			C13-C33-C53-C63								-
Heat input MAX (Hi)	2,10	3,49	5,11	3,85	6,5	8	10	2,50	4,70	6,80	8,60	kW
Heat input MIN (Hi)	0,84	1,42	2,04	2,7	4,55	5,6	7	1,70	3,30	4,80	5,70	kW
Heat output MAX (Hi)	1,79	3,02	4,33	3,5	5,85	7,4	9,1	2,30	4,30	6,25	7,74	kW
Heat output MIN (Hi)	0,71	1,2	1,75	2,4	4,1	5,1	6,23	1,58	3,05	4,41	5,13	kW
Efficiency level	90	91	90,1	90,5	90,2	92,5	91	93	92,4	91,9	90	%
*Heatable volume	78	135	196	95	155	196	245	78	166	197	246	m³
Fan air flow	-	-	-	160	265	335	410	130	225	335	419	m³/h
Consumption G20 Nom.	0,22	0,37	0,54	0,407	0,688	0,847	1,06	0,246	0,497	0,719	0,909	m³/h
Consumption G20 Red.	0,08	0,15	0,22	0,285	0,481	0,593	0,742	0,180	0,349	0,507	0,603	m³/h
Consumption G30 Nom.	0,16	0,27	0,40	0,303	0,512	0,630	0,788	0,195	0,368	0,532	0,626	Kg/h
Consumption G30 Red.	0,07	0,11	0,16	0,212	0,358	0,441	0,552	0,133	0,258	0,375	0,446	Kg/h
Consumption G31 Nom.	0,16	0,27	0,40	0,299	0,505	0,621	0,777	0,194	0,364	0,528	0,667	Kg/h
Consumption G31 Red.	0,06	0,11	0,16	0,209	0,354	0,435	0,544	0,132	0,256	0,372	0,442	Kg/h
Gas connection pipe	3/8"											Ø"
Power supply	no			230/50								V/Hz
Power input	no			135				80	60			W
Electrical protection	IP20											IP
Noise level from 3m	0			38	39	40		31	33	35	37	db A
Gas category	II 2H 3+											Cat.
Hole in the wall	90	110	130	65 or 110								Ø mm
Intake flue line Ø	no			32 or 54								Ø mm
Exhaust flue line Ø	no			32 or 54								Ø mm
Flue line intake/exhaust Ø	90/60	110/70	130/80	no								Ø mm
**MAX flue line length Ø32 2 single terminals	no			9	1	no		9	1	no		m
**MAX flue line length Ø54 2 single terminals	no			14				14				m
**MAX flue line length Ø32 1 unique terminal	no			8	1	no		8	1	no		m
**MAX flue line length Ø54 1 unique terminal	no			12				12				m
MAX flue line coax length	0,9			no				no				m
Width	462	642	822	508	658	808	958	535	685	835	985	mm
Height	585			225				585				mm
Depth	225			580				200				mm
Net weight	16,5	25	34	21,5	27,2	32,5	39,8	21	27	32	38	Kg



CVO Fire: Unit 4 Beaumont Square, Aycliffe Business Park, Durham Way South, Newton Aycliffe, DL5 6XN

T. 01325 327221 | F. 01325 327292 | sales@cvo.co.uk | [www.cvo.co.uk](http://www.cvo.co.uk)

NOTE: Due to ongoing product upgrading, aesthetic and dimensional features, technical details, fittings and accessories could undergo changes and are not binding.



# Gas Wall Heater



# RETAIL PRICE LIST

SKU	Product Name	RRP (inc VAT)
P-UC080	90 Degree Elbow (32mm) for Stratos Wall Heater [70000700 00]	72.00
P-UC075	ECO SC18 Wall Heater (White) Manual Control - LPG [SC18M0 L0300]	943.00
P-UC042	ECO SC18 Wall Heater (White) Manual Control - Natural Gas [SC18M0 M0300]	899.00
P-UC082	ECO SC30 Wall Heater (White) Manual Control - LPG [SC30M0 L030I0]	1,113.00
P-UC043	ECO SC30 Wall Heater (White) Manual Control - Natural Gas [SC30M0 M0300]	1,069.00
P-UC076	ECO SC45 Wall Heater (White) Manual Control - LPG [SC45M0 L0300]	1,213.00
P-UC044	ECO SC45 Wall Heater (White) Manual Control - Natural Gas [SC45M0 M0300]	1,169.00
P-UC085	Poster PSwb 4Kw Ceiling Heater Remote Control - LPG [PS40WB L00I0]	1,543.00
P-UC024	Poster PSwb 4Kw Ceiling Heater Remote Control - Natural Gas [PS40WB M00I0]	1,499.00
P-UC086	Poster PSwb 6Kw Ceiling Heater Remote Control - LPG [PS60WB L00I0]	1,643.00
P-UC025	Poster PSwb 6Kw Ceiling Heater Remote Control - Natural Gas [PS60WB M00I0]	1,599.00
P-UC087	Poster PSwb 8Kw Ceiling Heater Remote Control - LPG [PS80WB L00I0]	2,033.00
P-UC026	Poster PSwb 8Kw Ceiling Heater Remote Control - Natural Gas [PS80WB M00I0]	1,989.00
P-UC071	Poster PSwb 9Kw Ceiling Heater Remote Control - LPG [PS90WB L00I0]	2,213.00
P-UC027	Poster PSwb 9Kw Ceiling Heater Remote Control - Natural Gas [PS90WB M00I0]	2,169.00
P-UC081	Special Kit (Exhaust / Inlet 54mm dia)(1 combined) Fitting from Inside [TP5410A5 00]	155.00
P-MC224	Spider Ceiling Heater - Remote Control - LPG [IS07AS L0I00]	1,543.00
P-MC223	Spider Ceiling Heater - Remote Control - Natural Gas [IS07AS M0I00]	1,499.00
P-UC088	Stratos MB 3Kw Wall Heater (Silver RAL9006) Manual Control - LPG [SR30MB L00I0]	1,243.00
P-UC001	Stratos MB 3Kw Wall Heater (Silver RAL9006) Manual Control - Natural Gas [SR30MB M00I0]	1,199.00
P-UC049	Stratos MB 3kw Wall Heater (White RAL9002) Manual Control - LPG [SR30MB L03I0]	1,243.00
P-UC005	Stratos MB 3Kw Wall Heater (White RAL9002) Manual Control - Natural Gas [SR30MB M03I0]	1,199.00
P-UC084	Stratos MB 5Kw Wall Heater (Silver RAL9006) Manual Control - LPG [SR50MB L00I0]	1,395.25
P-UC002	Stratos MB 5Kw Wall Heater (Silver RAL9006) Manual Control - Natural Gas [SR50MB M00I0]	1,351.25
P-UC050	Stratos MB 5Kw Wall Heater (White RAL9002) Manual Control - LPG [SR50MB L030I0]	1,395.25
P-UC006	Stratos MB 5Kw Wall Heater (White RAL9002) Manual Control - Natural Gas [SR50MB M030I0]	1,351.25
P-UC009	Stratos MB 7Kw Wall Heater (Bespoke RAL 8011) Manual Control - Natural Gas [SR70MB M04I0]	2,155.74
P-UC065	Stratos MB 7kw Wall Heater (Silver RAL9006) Manual Control - LPG [SR70MB L00I0]	1,889.19
P-UC003	Stratos MB 7Kw Wall Heater (Silver RAL9006) Manual Control - Natural Gas [SR70MB M00I0]	1,845.19
P-UC089	Stratos MB 7Kw Wall Heater (White RAL9002) Manual Control - LPG [SR70MB L03I0]	1,889.19
P-UC007	Stratos MB 7Kw Wall Heater (White RAL9002) Manual Control - Natural Gas [SR70MB M03I0]	1,845.19
P-UC090	Stratos MB 9Kw Wall Heater (Silver RAL9006) Manual Control - LPG [SR90MB L00I0]	2,198.09
P-UC004	Stratos MB 9Kw Wall Heater (Silver RAL9006) Manual Control - Natural Gas [SR90MB M00I0]	2,154.09

SKU	Product Name	RRP (inc VAT)
P-UC091	Stratos MB 9Kw Wall Heater (White RAL9002) Manual Control - LPG [SR90MB L03I0]	2,198.09
P-UC008	Stratos MB 9Kw Wall Heater (White RAL9002) Manual Control - Natural Gas [SR90MB M03I0]	2,154.09
P-UC040	Wireless Chronothermostat Option for Stratos [7000099]	159.00

Note: Only the Natural Gas version is shown on the price list however fires are also available for use with LPG/Propane. To calculate the price of the LPG/Propane version add £44. Prices valid for 30 days from published date below and include VAT @ 20%. For the latest offers and to place your order **Call Sales on 01325-301020, Monday to Saturday 9am to 6pm**. For images, videos and technical specifications visit our web site at [www.cvo.co.uk](http://www.cvo.co.uk). Fires are available for all installation types and fuel types – gas, wood, bioethanol and electric. To receive information on our other ranges, call sales. Trade accounts are set up upon application.

Spirit Fires Ltd, Unit 4, Beaumont Square, Durham Way South, Newton Aycliffe, County Durham, DL5 6XN