

CVO FIRE 



FLUELESS GAS FIRES

HIGH EFFICIENCY

BRITISH DESIGN: CVO Fire has been at the forefront of gas fire design since 1999 using cutting edge technology to create unique desirable gas fires. We are a UK gas fire manufacturing company with a range of products to meet every installation requirement. Every flueless gas fire we sell is hand made at our factory at Newton Aycliffe in the North East. To ensure we provide a high quality product our manufacturing team are given your order and shown your name, so that they know who they are building the product for.

UNIQUE DESIGN: We are the only European gas fire manufacturer who can supply a flueless gas fire with an open flame. This is due to our unique gas burner technology which produces a very clean flame, other manufacturers use catalytic converters to reduce the emissions from the flue gases however with our fires these are not required. As there are no filters the fire also does not require a glass front, leaving a beautiful open flame.

NO CHIMNEY REQUIRED: Flueless gas fires do not require any form of chimney or flue outlet and this makes installation very easy. These fires are the perfect solution for rooms and properties without a chimney and they can also be used to heat rooms such as extensions and conservatories where other forms of heating may be too difficult or expensive to install. As there is no chimney the fire can be fitted on any wall in the room and being wall mounted designing your room layout will be much easier.

ENERGY SAVING: The energy efficiency rating of a flueless gas fire is 99.9%. This is due to there being no flue or chimney for heat to escape from the room. As a result running costs are very low, around 12p/hour for a 2.7Kw fire. When replacing an old inefficient fire a flueless gas fire can give a considerable saving for the householder. Running costs on a conventional fire will be around 4 times more than a flueless gas fire. On average you can save around £180 a year on secondary heating costs.

EASY INSTALLATION: The fires are supplied with an installation booklet and must be installed by a Gas Safe Registered Engineer. As most models are wall mounted only minimal building work is required. The installation cost on a flueless gas fire could be around 90% cheaper than other gas fireplaces.

SAFETY AND RELIABILITY: All CVO flueless gas fires are CE approved. The CE test standard is very strict due to the appliance not having a chimney or flue. The limits have been set at such a level that the fire is safer than any other gas appliance. Before a certificate was given to allow us to manufacture and sell the fire it was given a wide range of tests to ensure the emissions are safe and the fire is reliable. As all our flueless gas fires are manufactured in our factory in the UK we can control the manufacturing process. To ensure that every fire we make is built exactly to the test standard we perform over 40 tests on every fire before it is packed for shipment. If the fire was not safe, reliable and CE approved we would not be allowed to sell them. Every flueless fire we make includes a safety device which will switch off the fire if the air vent is blocked also the fire cannot be adjusted in any way, giving you total peace of mind.

A CVO flueless gas fire was installed in a London Restaurant in December 2003 and worked every day until the restaurant closed in May 2007. The fire operated for 15hrs per day, 6 days a week for 41 months. This equals 14,760 hours, the equivalent to nearly 25 years operation in a domestic property, and the fire looked as good on the day it was removed as it did when first installed.

AS SEEN ON TV: The Angel flueless gas fire featured on Grand Designs and the Moderno was featured on the Homes Show with George Clarke.

AWARD WINNING: Our flueless gas burner technology won the Inter-Build Energy Efficiency award to mark our advances in technology and the clean energy saving design of the burner. The Classico also won the Homes and Gardens, Palmes D'Or design award proving our flueless gas fire is not only functional but also visually attractive.

THE AIR VENT: There is a myth that installing an air vent within the room will cause drafts or cause heat to escape. Air vent technology has moved on since Victorian times and now modern air vents include baffles and only allow a small trickle of air to pass into the room. We supply the vent with the fire so that you can be assured that the fire will be used with the correct air vent.

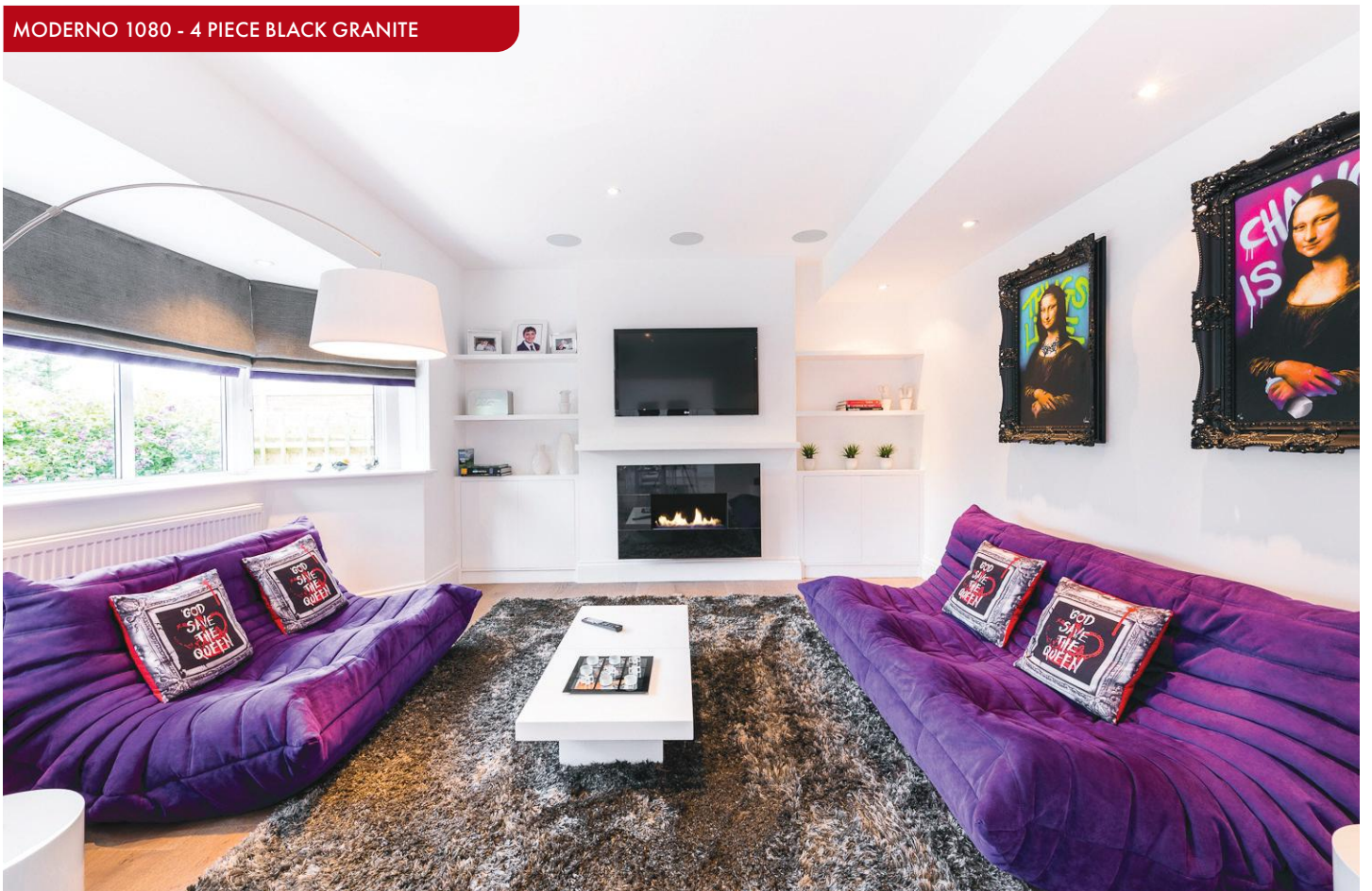
TECHNOLOGY: We have our own unique design technology with a clean flame. Flueless gas fires may seem new to the European market however they have been sold in the USA, Australia and Japan for many years, with an outstanding safety record.

WHY BUY FROM CVO? We are confident that once you have seen the alternatives on the market you will see the benefits of choosing our flueless gas fire above any other. When you buy from us you are buying a fully tested, safe and reliable, gas fire which has been hand made in our UK factory.



“ Thank you for providing our home with a product that exceeds all of our expectations ”

Alistair Thomas





ANGEL 840 STAINLESS



ANGEL 1110 BLACK

Angel

Black Interior and Metal Fascia

MAIN FEATURES

The Angel flueless gas fire features a satin black interior and is available with a choice of metal fascias. There are two size options, standard with an 840mm wide fascia and widescreen with a 1110mm fascia. The ribbon gas burner creates a dancing flame from within the enclosure. The Angel has been installed in homes, hotels, bars and restaurants around Europe and is the choice of UK home builders requiring a high quality, reliable product. The Angel was featured on the Channel 4 TV program - Grand Designs.

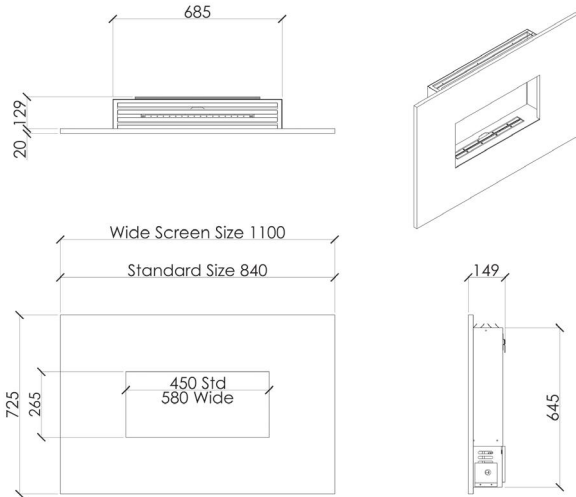
TECHNICAL

- Award Winning UK Made Design.
- Clean Burning Flame (No Filters).
- Open Flame Flueless Gas Fire.
- 100 % Energy Efficiency.
- No Chimney or Flue System Required.
- The fire can be upgraded to be recessed into the wall or upgraded with a deflector to allow a shelf above.
- This is a CE Approved design with Safety and Reliability built in allowing the fire to be installed in selected European Countries.
- Read Install Guidance notes on page 23.

ANGEL OPTIONS

- 2.7Kw or 3.5Kw natural gas burner.
- 3.5Kw LPG/Propane gas burner.
- 840mm or 1110mm wide metal fascia.
- Recess System Upgrade in wide range of finishes.
- Deflector Gather Upgrade to allow shelf above the fire.
- Fascia is available in either black satin steel, cream steel or brushed stainless.

RANGE, SIZE AND WEIGHT



Model	Standard	Wide	u.m.
Width (W)	840	1110	mm
Height (H)	725	725	mm
Depth (P)	150	150	mm
Gross Weight	25	30	kg

TECHNICAL DATA

Model	2.7kw	3.5kw
Heat output max/min	2.7kw	3.5kw
Exhaust type	No Chimney	
Efficiency level	100%	
Efficiency class	Class 1	
Heatable volume	Up to 70m ³	Over 70m ³
Gas Type	NG	NG or LPG
Ignition	Manual Control	
Category	I2H, I2E, I2E+, I13+, I3B/P(30), I3P(37)	
Countries	Selected Countries within Europe	
Approval	CE - 0063-BO-5341	

ANGEL 840 CREAM



ANGEL 1110 STAINLESS





MODERNO 1080 - 1 PIECE BLACK GRANITE



MODERNO 1080 - 1 PIECE LIMESTONE

Moderno

Black Interior and Stone Fascia

MAIN FEATURES

The Moderno flueless gas fire features a satin black interior which creates a mirror effect for the dancing flame created by the ribbon gas burner. The Moderno is a popular choice with customers as the contemporary styling can be combined with a wide range of natural stone fascia types to create a stunning feature fireplace for a room.

This version of our award winning design was featured on the Homes Show with George Clarke.

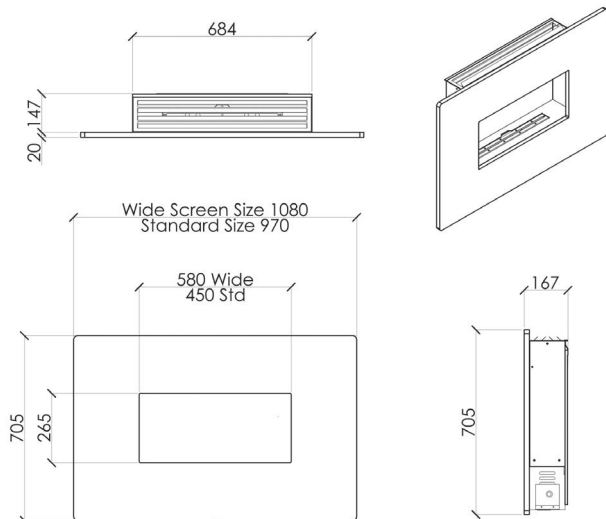
TECHNICAL

- Award Winning UK Made Design.
- Clean Burning Flame (No Filters).
- Open Flame Flueless Gas Fire.
- 100 % Energy Efficiency.
- No Chimney or Flue System Required.
- The fire can be upgraded to be recessed into the wall or upgraded with a deflector to allow a shelf above.
- This is a CE Approved design with Safety and Reliability built in allowing the fire to be installed in selected European Countries.
- Read Install Guidance notes on page 23.

MODERNO OPTIONS

- 2.7Kw or 3.5Kw natural gas burner.
- 3.5Kw LPG/Propane gas burner.
- 970mm or 1080mm wide stone fascia.
- Fascia in 4 cut or 1 cut stone.
- Recess System Upgrade in wide range of finishes.
- Deflector Gather Upgrade to allow shelf above the fire.
- Fascia available in numerous natural stone finishes including Limestone, Black Granite, Travertine, Green Limestone, Grey, White, Brown & others. Stone samples can be sent upon request.

RANGE, SIZE AND WEIGHT



Model	Standard	Wide	u.m.
Width (W)	970	1080	mm
Height (H)	705	705	mm
Depth (P)	167	167	mm
Gross Weight	60	65	kg

TECHNICAL DATA

Model	2.7kw	3.5kw
Heat output max/min	2.7kw	3.5kw
Exhaust type	No Chimney	
Efficiency level	100%	
Efficiency class	Class 1	
Heatable volume	Up to 70m ³	Over 70m ³
Gas Type	NG	NG or LPG
Ignition	Manual Control	
Category	I2H, I2E, I2E+, I3+, I3B/P(30), I3P(37)	
Countries	Selected Countries within Europe	
Approval	CE - 0063-BO-5341	

MODERNO 970 - 4 PIECE BLACK GRANITE



MODERNO 1080 - 4 PIECE GREEN LIMESTONE





CLASSICO 970 - 1 PIECE LIMESTONE



CLASSICO 1080 - MIRROR STRAIGHT

Classico

Polished Interior and Stone Fascia

MAIN FEATURES

The Classico flueless gas fire features a highly polished interior which creates multiple flame reflections from the ribbon gas burner. The Classico has modern styling and looks best when combined with a dark or black granite fascia. The contrast of the polished interior and a black fascia is stunning. The Classico is available with a wide range of natural stone fascia options.

The Classico won the Homes & Gardens Design Award and has featured on the Channel 4 TV program - Grand Designs.

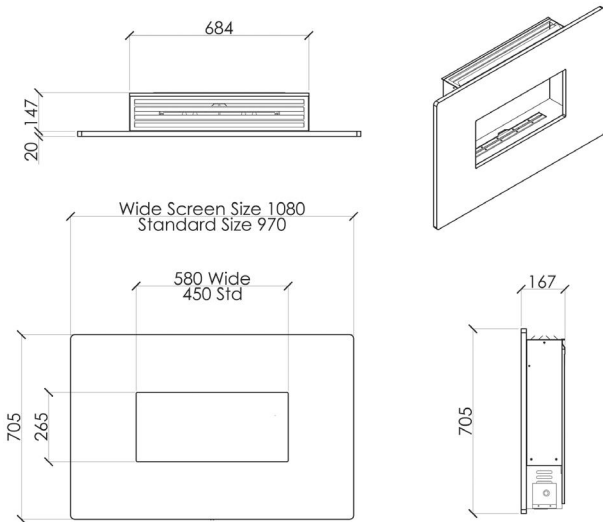
TECHNICAL

- Award Winning UK Made Design.
- Clean Burning Flame (No Filters).
- Open Flame Flueless Gas Fire.
- 100 % Energy Efficiency.
- No Chimney or Flue System Required.
- The fire can be upgraded to be recessed into the wall or upgraded with a deflector to allow a shelf above.
- This is a CE Approved design with Safety and Reliability built in allowing the fire to be installed in selected European Countries.
- Read Install Guidance notes on page 23.

CLASSICO OPTIONS

- 2.7Kw or 3.5Kw natural gas burner.
- 3.5Kw LPG/Propane gas burner.
- 970mm or 1080mm wide stone fascia.
- Fascia in 4 cut or 1 cut stone.
- Recess System Upgrade in wide range of finishes.
- Deflector Gather Upgrade to allow shelf above the fire.
- Fascia available in numerous natural stone finishes including Limestone, Black Granite, Travertine, Green Limestone, Grey, White, Brown & others. Stone samples can be sent upon request.
- Mirror fascia upon request

RANGE, SIZE AND WEIGHT



Model	Standard	Wide	u.m.
Width (W)	970	1080	mm
Height (H)	705	705	mm
Depth (P)	167	167	mm
Gross Weight	60	65	kg

TECHNICAL DATA

Model	2.7kw	3.5kw
Heat output max/min	2.7kw	3.5kw
Exhaust type	No Chimney	
Efficiency level	100%	
Efficiency class	Class 1	
Heatable volume	Up to 70m ³	Over 70m ³
Gas Type	NG	NG or LPG
Ignition	Manual Control	
Category	I2H, I2E, I2E+, I3+, I3B/P(30), I3P(37)	
Countries	Selected Countries within Europe	
Approval	CE - 0063-BO-5341	

CLASSICO 970 - LIMESTONE



CLASSICO 970 - 4 PIECE BLACK GRANITE





LITEN - 4 PIECE RIGEL



LITEN - 4 PIECE RIGEL

Liten

Black Interior and Stone Fascia

MAIN FEATURES

The Liten flueless gas fire features a satin black interior and was designed for use either as a small wall mounted fire design or, when upgraded, to be used within a traditional fireplace surround. The Liten with the small stone fascia and dancing ribbon of flame looks stunning and can be incorporated into an old style fire surround, creating a stunning contemporary fireplace with a beautiful mix of old and new styles. The Liten is very adaptable to a wide range of installations.

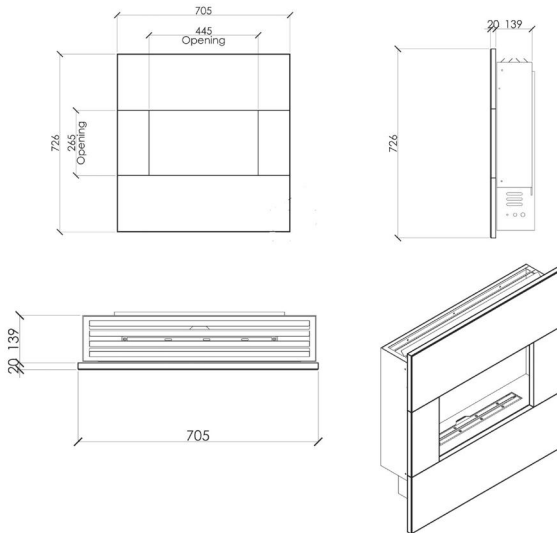
TECHNICAL

- Award Winning UK Made Design.
- Clean Burning Flame (No Filters).
- Open Flame Flueless Gas Fire.
- 100 % Energy Efficiency.
- No Chimney or Flue System Required.
- The fire can be upgraded to be recessed into the wall or upgraded with a deflector to allow a shelf above.
- This is a CE Approved design with Safety and Reliability built in allowing the fire to be installed in selected European Countries.
- Read Install Guidance notes on page 23.

LITEN OPTIONS

- 2.7Kw or 3.5Kw natural gas burner.
- 3.5Kw LPG/Propane gas burner.
- 705mm wide stone fascia.
- Fascia in 4 cut or 1 cut stone.
- Fire can be upgraded to be installed in a traditional surround.
- Deflector Gather upgrade to allow shelf above the fire.
- Fascia available in numerous natural stone finishes including Limestone, Black Granite, Travertine, Green Limestone, Grey, White, Brown, Sandstone & others. Stone samples can be sent upon request.
- Black or polished interior.

RANGE, SIZE AND WEIGHT



Model	Standard	u.m.
Width (W)	705	mm
Height (H)	725	mm
Depth (P)	167	mm
Gross Weight	50	kg

TECHNICAL DATA

Model	2.7kw	3.5kw
Heat output max/min	2.7kw	3.5kw
Exhaust type	No Chimney	
Efficiency level	100%	
Efficiency class	Class 1	
Heatable volume	Up to 70m ³	Over 70m ³
Gas Type	NG	NG or LPG
Ignition	Manual Control	
Category	I2H, I2E, I2E+, I3+, I3B/P(30), I3P(37)	
Countries	Selected Countries within Europe	
Approval	CE - 0063-BO-5341	

LITEN – STAINLESS FASCIA



LITEN (TRADITIONAL) - 4 PIECE LIMESTONE





MODERNO 970 - 1 PIECE CREAM RECESS LIMESTONE



CLASSICO 1080 - 4 PIECE LIMESTONE

Recess

Built-in Flueless Gas Fire

MAIN FEATURES

The Recess system is a unique feature of our flueless gas fire design, allowing the Angel, Moderno or Classico to be built into the wall. This style of design is perfect for modern homes without a chimney where a recessed fire is required. It is very popular to combine the recess system with a TV above the fireplace creating a media wall. This style of installation is very easy as the fire and TV must be mounted against the wall and then a false chimney is built to finish the look. The recess is available in various sizes and finishes, special colours are possible upon request.

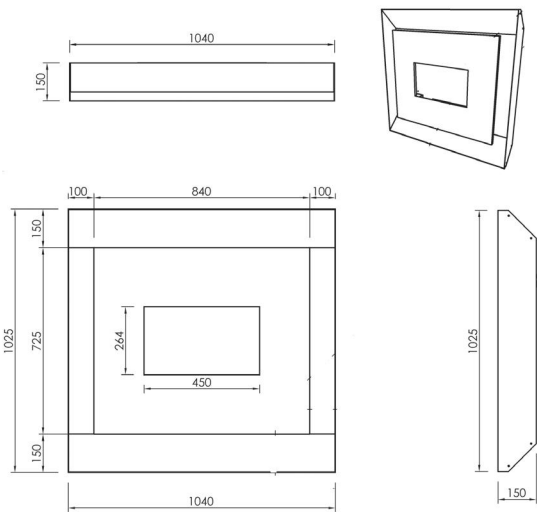
TECHNICAL

- The perfect option for bars, hotels, restaurants and homes without a chimney.
- Available for the Angel, Moderno and Classico.
- To allow the fire to be recessed into the wall the fire is upgraded with a deflector system and recess plate and supplied to site as a complete package.
- When installing a TV above the fireplace special guidance is required to avoid heat damage to the TV. Ask our sales team for a copy of our installation notes.
- Read Install Guidance notes on page 23.

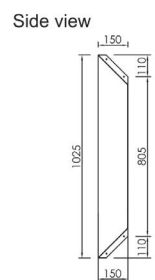
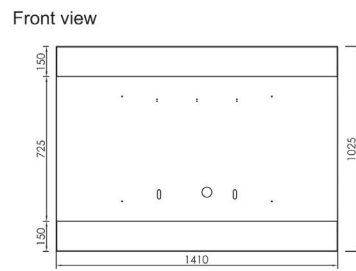
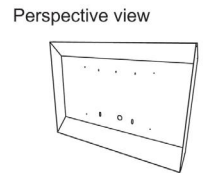
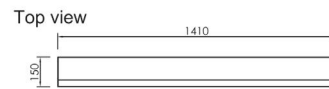
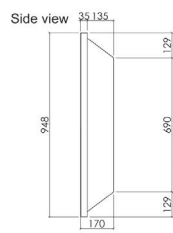
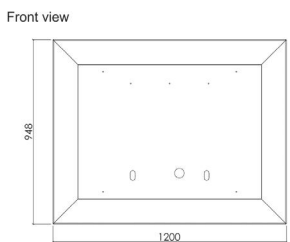
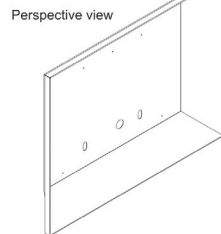
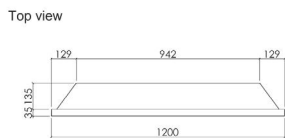
RECESS OPTIONS

- 3 different sizes to fit the Angel, Moderno and Classico with various fascia sizes.
- Choice of Stainless, Black, White or Cream finishes, custom colours available upon request.
- The recess is supplied as a package. Only an upgraded fire can be installed with our recess system to ensure the final design is safe, reliable and compliant with the CE approval for the fire.
- Call to discuss this style of installation and request our guidance notes.

RANGE, SIZE AND WEIGHT



DESIGN Models	SMALL Angel-840	MEDIUM Moderno-970 Classico-970	LARGE Angel-1110 Moderno-1110 Classico-1110	u.m.
Width (W)	1040	1200	1410	mm
Height (H)	1025	948	1025	mm
Depth (P)	150	170	150	mm
Gross Weight	10	12	15	kg



MODERNO 970 - 4 PIECE LIMESTONE, CREAM RECESS



CLASSICO 970 - 4 PIECE BLACK GRANITE, BLACK RECESS





KIAH IN WHITE MADRE PERLE



KIAH IN WHITE MADRE PERLE

Kiah

Stone Surround & Stone Fascia

MAIN FEATURES

The Kiah is a beautiful contemporary fireplace design with a traditional twist. The stone surround has square lines and angles. Design options are unlimited as the surround, hearth and fascia can be supplied in any combination of stone types. Create your own designer fireplace for your room. This modern gas fireplace is sold as a complete package including surround, black granite hearth, backing plate and a flueless gas fire with a satin black interior and stone fascia. This complete traditional fireplace design can be used to upgrade an old fireplace to 100% energy efficiency or within a room without a chimney.

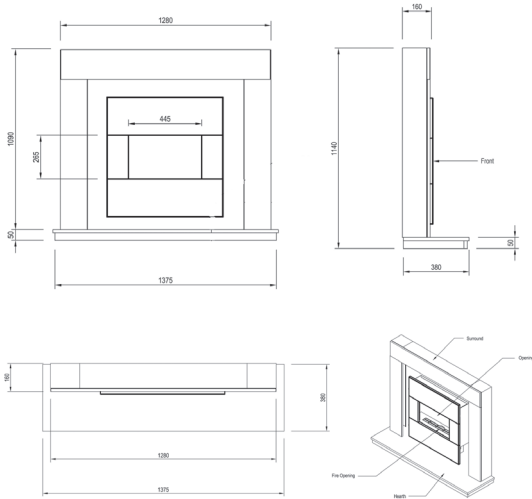
TECHNICAL

- Award Winning UK Made Design.
- Clean Burning Flame (No Filters).
- Open Flame Flueless Gas Fire.
- 100 % Energy Efficiency.
- No Chimney or Flue System Required.
- Surround is 1360mm wide x 1202mm high (including the hearth).
- Installation involves blocking up any existing fireplace opening, positioning of the hearth and the fitting of the wall plate. The fire is then mounted onto the wall plate and the gas connected. The surround is then fitted and the fascia placed on the fire.

KIAH OPTIONS

- Surround in a choice of stone types.
- Sold as a complete fireplace package.
- 2.7Kw or 3.5Kw natural gas burner.
- 3.5Kw LPG/Propane gas burner.
- 705mm wide stone fascia in either 4 cut or 1 cut, available in numerous natural stone finishes including Limestone, Black Granite, Travertine, Green Limestone, Grey, White, Brown, Sandstone and others. Stone samples can be sent upon request.
- The interior can be upgraded to polished upon request.

RANGE, SIZE AND WEIGHT



Model	Standard	u.m.
Width (W)	1280	mm
*Height (H)	1140	mm
Depth (P)	160	mm
Gross Weight	120	kg

* Height includes hearth

TECHNICAL DATA

Model	2.7kw	3.5kw
Heat output max/min	2.7kw	3.5kw
Exhaust type	No Chimney	
Efficiency level	100%	
Efficiency class	Class 1	
Heatable volume	Up to 70m ³	Over 70m ³
Gas Type	NG	NG or LPG
Ignition	Manual Control	
Category	I2H, I2E, I2E+, I3+, I3B/P(30), I3P(37)	
Countries	Selected Countries within Europe	
Approval	CE - 0063-BO-5341	

KIAH IN RIGEL



KIAH IN MADRE PERLE





BONITA WITH RIGEL FASCIA



BONITA WITH RIGEL FASCIA

Bonita

Wooden Surround & Stone Fascia

MAIN FEATURES

The Bonita traditional flueless gas fire features a solid wood surround and a flueless gas fire with a stone fascia. There are unlimited options to create a unique look as the fascia is available in numerous natural stone finishes. This modern gas fireplace is sold as a complete package including surround, black granite hearth, backing plate and a flueless gas fire with a satin black interior and stone fascia. This complete fireplace design can be used to upgrade an old inefficient fireplace to 100% energy efficiency or within a room without a chimney.

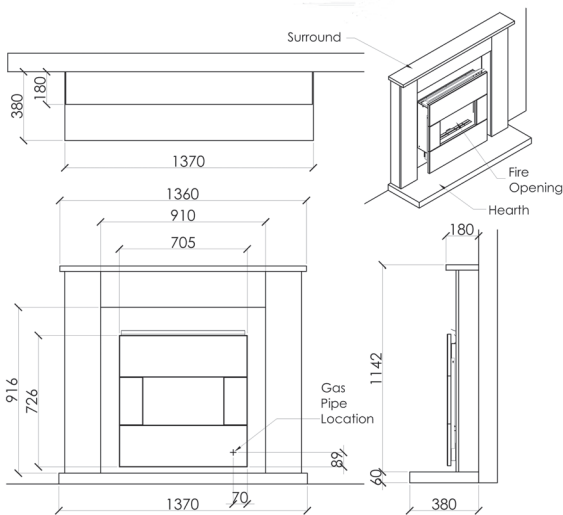
TECHNICAL

- Award Winning UK Made Design.
- Clean Burning Flame (No Filters).
- Open Flame Flueless Gas Fire.
- 100 % Energy Efficiency.
- No Chimney or Flue System Required.
- Surround is 1280mm wide x 1140mm high (including the hearth).
- Installation involves blocking up any existing fireplace opening, positioning of the hearth and the fitting of the wall plate. The fire is then mounted onto the wall plate and the gas connected. The surround is then fitted and the fascia placed on the fire.

BONITA OPTIONS

- Surround in beautiful Sheesham Wood.
- Sold as a complete fireplace package.
- 2.7Kw or 3.5Kw natural gas burner.
- 3.5Kw LPG/Propane gas burner.
- Fascia available in numerous natural stone finishes including Limestone, Black Granite, Travertine, Green Limestone, Grey, White, Brown, Sandstone and others. Stone samples can be sent upon request.
- The interior can be upgraded to polished upon request.

RANGE, SIZE AND WEIGHT



Model	Standard	u.m.
Width (W)	1360	mm
*Height (H)	1202	mm
Depth (P)	180	mm
Gross Weight	100	kg

* Height includes hearth

TECHNICAL DATA

Model	2.7kw	3.5kw
Heat output max/min	2.7kw	3.5kw
Exhaust type	No Chimney	
Efficiency level	100%	
Efficiency class	Class 1	
Heatable volume	Up to 70m ³	Over 70m ³
Gas Type	NG	NG or LPG
Ignition	Manual Control	
Category	I2H, I2E, I2E+, I3+, I3B/P(30), I3P(37)	
Countries	Selected Countries within Europe	
Approval	CE - 0063-BO-5341	

BONITA WITH RIGEL FASCIA



BONITA WITH RIGEL FASCIA





CORONA, LIGHT OAK, STAINLESS FASCIA



CORONA, WALNUT, RIGEL FASCIA

Corona

Wooden Surround & Metal Fascia

MAIN FEATURES

The Corona traditional flueless gas fire is a perfect mix of old and new styles. Sold as a complete package including a solid wooden surround in Oak or Walnut, black wall plate, black granite hearth and a flueless gas fire with a satin black interior and either a black, cream or brushed stainless fascia. This complete fireplace design can be used to upgrade an old inefficient fireplace 100% energy efficiency with the added benefit of a beautiful ribbon of dancing flame.

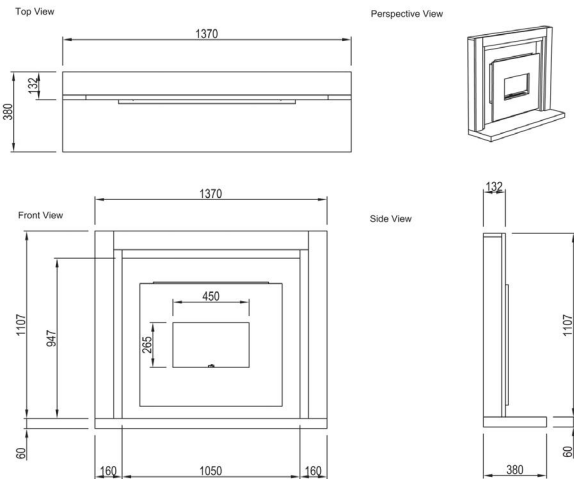
TECHNICAL

- Award Winning UK Made Design.
- Clean Burning Flame (No Filters).
- Open Flame Flueless Gas Fire.
- 100 % Energy Efficiency.
- No Chimney or Flue System Required.
- Surround is 1370mm wide x 1167mm high (including the hearth).
- Installation involves blocking any existing fireplace opening, positioning of the hearth and the fitting of the wall plate. The fire is then mounted onto the wall plate and the gas connected. The surround is then fitted and the fascia placed on the fire.

CORONA OPTIONS

- Surround in Oak or Walnut.
- Sold as a complete fireplace package.
- 2.7Kw or 3.5Kw natural gas burner.
- 3.5Kw LPG/Propane gas burner.
- 840mm metal fascia available in either black satin steel, cream steel or brushed stainless.
- The interior can be upgraded to polished and other fascias are available upon request.

RANGE, SIZE AND WEIGHT



Model	Standard	u.m.
Width (W)	1370	mm
*Height (H)	1167	mm
Depth (P)	132	mm
Gross Weight	100	kg

* Height includes hearth

TECHNICAL DATA

Model	2.7kw	3.5kw
Heat output max/min	2.7kw	3.5kw
Exhaust type	No Chimney	
Efficiency level	100%	
Efficiency class	Class 1	
Heatable volume	Up to 70m ³	Over 70m ³
Gas Type	NG	NG or LPG
Ignition	Manual Control	
Category	I2H, I2E, I2E+, I3+, I3B/P(30), I3P(37)	
Countries	Selected Countries within Europe	
Approval	CE - 0063-BO-5341	

CORONA, OAK, STAINLESS FASCIA



CORONA, OAK, STAINLESS FASCIA



Standard Wall Mounted Fires

Fire	Fascia Width	Finish
Angel	840mm	Satin Black Steel
Angel	840mm	Brushed Stainless Steel
Angel	840mm	Cream Steel
Angel	1110mm	Satin Black Steel
Angel	1110mm	Brushed Stainless Steel
Angel	1110mm	Cream Steel

* Custom colours are possible depending on availability of the RAL number supplied. Ask for details.

Moderno / Classico	970mm	Stone Cut in 4 Pieces (see list below)
Moderno / Classico	970mm	Stone Cut in 1 Piece (see list below)
Moderno / Classico	970mm	Mirror Fascia
Moderno / Classico	1080mm	Stone Cut in 4 Pieces (see list below)
Moderno / Classico	1080mm	Stone Cut in 1 Piece (see list below)
Moderno / Classico	1080mm	Mirror Fascia

Liten	705mm	Stone Cut in 4 Pieces (see list below)
Liten	705mm	Stone Cut in 1 Piece (see list below)

Standard Stone Finishes

	African Black Granite
	Cream Rigel
	White Madre Perle
	Serene Grey
	Unfilled Travertine
	Green Limestone
	Matrix Slate Grey
	Cabernet Brown

* Other stone finishes are available upon request depending on suitability, ask for details.

Flueless Fire Upgrades

Interior of Fire	All fires can be upgraded with a polished interior
Shelf above the Fire	All fires can be upgraded with a deflector gather to mount a shelf above. We can supply a shelf to match the stone fascia on the fire (see options above)
Mounted inside Surround	All fires can be upgraded with a deflector gather to mount in a surround
Air Vent	We can supply the correct vent based on Kw of fire.
Small Recess	for Angel (840)
Medium Recess	for Moderno (970) & Classico (970)
Large Recess	for Angel (1110), Moderno (1080) & Classico (1080)

* All Recess plates are available in Brushed Stainless, Black, White or Cream. Custom colours depending on RAL number upon request.

* Custom colours are possible depending on availability of the RAL number supplied. Ask for details.

Traditional Flueless Gas Fires

Corona	Oak	Black Steel, Cream Steel, Brushed Stainless Steel
Corona	Walnut	Black Steel, Cream Steel, Brushed Stainless Steel
Bonita	Sheesham	Any stone listed above - 4 pieces or 1 piece style.
Kiah	All Stones	Any stone listed above - 4 pieces or 1 piece style.

* The hearth is African black granite as standard. Others are available upon request

* Other surrounds are possible including bespoke fabrications to match the fire. Ask for details.

DESCRIPTION: Our flueless gas fires are CE approved and can be installed in any property in the UK, Ireland and selected countries in Europe. This appliance is 99.9% efficient as the gas burned is turned into heat, and as there is no chimney this heat stays in the room. Our clean burner has low emissions and does not require catalytic filters or glass on the front of the fire.

GAS SUPPLY: The fires are approved to be used with the gas types shown below. The gas inlet position is located in the centre back of the fire and is hidden. The location is shown on the specification sheet which can be downloaded from the website.

- Natural Gas: G20 at 20mbar, G25 at 25mbar.
- LPG/Propane: G31 at 37mbar, G30/G31 at 30mbar, 28-30mbar & 37mbar

RECESS, DEFLECTOR & SHELF: The standard fire is wall mounted. If the fire is to be recessed into a wall the CVO recess must be used. When you buy the recess the fire is converted to the recessed version making it safe. If a shelf is to be positioned above the fire it must be purchased with the deflector fitted. We supply a full range of shelves to go with our fires in various stone finishes. When buying the Liten fire for use in a traditional surround, this also must be upgraded to the traditional version.

INSTALLATION REQUIREMENTS:

- All gas appliances must be installed by a Gas Safe Registered engineer.
- The fire is supplied with an install booklet, a copy can be downloaded from our web site.
- The room must be bigger than the minimum room volume (in m³ (HxWxD)) as specified in the installation book for the fire, (>30 m³ for 2.7kw and >40m³ for 3.5kw).
- The room must include an air vent to the outside which provides the minimum amount of fresh air as indicated in the install booklet. It is advised to buy the air vent when you buy the fire, our modern vents do not create drafts. The vent must be over 1m away from the fire.
- The room must have a window, patio doors or similar which can be opened if desired. The fire does not have a thermostat, the window can be used if the room temperature becomes too hot. You can also turn the fire off.
- The fire must not be fitted in basements or bathrooms. We do not recommend installing in bedrooms. The fire must not be used in rooms where the atmosphere is likely to contain water for example a kitchen.
- Do not use the fire when burning scented candles or while painting or decorating. Newly decorated rooms can lead to unpleasant smells from the fire. The appliance has been designed to be installed onto a wall. It must be placed on a non-combustible surface. The surface must be flat, level and square to the back panel. If fitting the fire over an existing fireplace opening, the cavity must be blocked off completely. A hearth will be required if the fire is to be mounted on the wall less than 300mm from the base of the burner to the floor.
- The most common way of installation is by mounting on a wall and the heat is omitted from the top. The fire must never be recessed into the wall without using the official CVO recess system.
- The fascia supplied with the fire must be used. Under no circumstances should the gas fire, the fascia or the recess plate be painted with any substance other than that supplied by CVO fire.
- All flueless gas fires are classified as a secondary heat source.

FLUELESS GAS FIRE MYTHS

HAVING A GLASS FRONT IS SAFER. The glass used on other fires gets very hot, the glass on other fires is to force emissions through filters. Our flueless gas fires do not need filters so there is no need for glass.

FLUELESS GAS FIRES ARE DANGEROUS. No they are not. They are one of the safest gas appliances on the market. The flueless gas fires sold in the UK are tested to the highest CE safety standard and have safety devices fitted. Other heating appliances like wood burners have no safety devices and the emissions are 100x more than a flueless gas fire.

THE AIR VENT WILL CAUSE A DRAFT. This could happen if you buy a cheap air vent but why buy a high quality gas appliance then install a cheap vent? We supply high quality air vents which have baffles and cowls fitted. The air vent will not take heat out of the room. The air vent is used to provide a trickle of fresh air in to the room, it does not take air out.

THERE IS NO HEAT FROM A FLUELESS GAS FIRE. Our fires are available up to 3.5kw - that is similar to adding a large radiator or two electric fireplaces in the room.

BURNING WOOD IS CHEAPER AND SAFER. A 3.5kw flueless gas fire will cost you around 15p/hour to run on high. A wood burner, providing the same amount of heat into the room will cost you around 70% more (26p/hour). Add that up over a year and the wood burner will cost you around £190 more. By law all wood burners must have a Carbon Monoxide monitor in the room. This is because the emissions from burning wood are 100x more than a flueless gas fire. If there is a problem with the flue system or door seal on a wood burner those emissions will enter the room, so an alarm must be fitted. A flueless gas fire has an ODS device fitted.

If you have any questions about flueless gas fire technology ask us, the manufacturer, as that will give you accurate information to make an informed decision about which style of fire best suits your property. We make all types of fires, for all installation requirements.





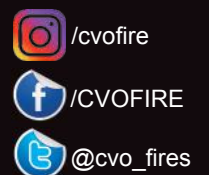
CVO FIRE



For additional details, technical specifications and prices call
Sales: Monday to Saturday, 9am to 6pm
or email: sales@cvo.co.uk

CVO FIRE is a brand of Spirit Fires Limited
4 Beaumont Square, Aycliffe Industrial Park
Newton Aycliffe, Co. Durham DL5 6XN

Call: 01325 301020
Email: sales@cvo.co.uk
Web: www.cvo.co.uk



Flueless Gas Fires (no chimney)



RETAIL PRICE LIST

SKU	Product Name	RRP (inc VAT)
X-SFA-04	Angel Flueless Gas Fire - 1110 Brushed Steel Fascia - 2.7kW Natural Gas	1,241.95
X-SFA-23	Angel Flueless Gas Fire - 1110 Brushed Steel Fascia - 3.5kW Natural Gas	1,280.95
X-SFA-03	Angel Flueless Gas Fire - 1110 Satin Black Fascia - 2.7kW Natural Gas	1,177.95
X-SFA-22	Angel Flueless Gas Fire - 1110 Satin Black Fascia - 3.5kW Natural Gas	1,216.95
X-SFA-19	Angel Flueless Gas Fire - 1110 Satin Cream Fascia - 2.7kW Natural Gas	1,433.95
X-SFA-31	Angel Flueless Gas Fire - 1110 Satin Cream Fascia - 3.5kW Natural Gas	1,472.95
X-SFA-02	Angel Flueless Gas Fire - 840 Brushed Steel Fascia - 2.7kW Natural Gas	1,113.95
X-SFA-21	Angel Flueless Gas Fire - 840 Brushed Steel Fascia - 3.5kW Natural Gas	1,152.95
X-SFA-01	Angel Flueless Gas Fire - 840 Satin Black Fascia - 2.7kW Natural Gas	1,049.95
X-SFA-20	Angel Flueless Gas Fire - 840 Satin Black Fascia - 3.5kW Natural Gas	1,088.95
X-SFA-18	Angel Flueless Gas Fire - 840 Satin Cream Fascia - 2.7kW Natural Gas	1,241.95
X-SFA-30	Angel Flueless Gas Fire - 840 Satin Cream Fascia - 3.5kW Natural Gas	1,280.95
X-SFA-47	Angel Recess Flueless Gas Fire - 1110 Brushed Steel Fascia - 2.7kW Natural Gas	1,400.95
X-SFA-51	Angel Recess Flueless Gas Fire - 1110 Brushed Steel Fascia - 3.5kW Natural Gas	1,439.95
X-SFA-46	Angel Recess Flueless Gas Fire - 1110 Satin Black Fascia - 2.7kW Natural Gas	1,336.95
X-SFA-50	Angel Recess Flueless Gas Fire - 1110 Satin Black Fascia - 3.5kW Natural Gas	1,375.95
X-SFA-69	Angel Recess Flueless Gas Fire - 1110 Satin Cream Fascia - 2.7kW Natural Gas	1,592.95
X-SFA-70	Angel Recess Flueless Gas Fire - 1110 Satin Cream Fascia - 3.5kW Natural Gas	1,631.95
X-SFA-45	Angel Recess Flueless Gas Fire - 840 Brushed Steel Fascia - 2.7kW Natural Gas	1,272.95
X-SFA-49	Angel Recess Flueless Gas Fire - 840 Brushed Steel Fascia - 3.5kW Natural Gas	1,311.95
X-SFA-44	Angel Recess Flueless Gas Fire - 840 Satin Black Fascia - 2.7kW Natural Gas	1,208.95
X-SFA-48	Angel Recess Flueless Gas Fire - 840 Satin Black Fascia - 3.5kW Natural Gas	1,247.95
X-SFA-66	Angel Recess Flueless Gas Fire - 840 Satin Cream Fascia - 2.7kW Natural Gas	1,400.95
X-SFA-67	Angel Recess Flueless Gas Fire - 840 Satin Cream Fascia - 3.5kW Natural Gas	1,439.95
X-SFA-57	Angel Traditional Flueless Gas Fire - 1110 Brushed Steel Fascia - 2.7kW Natural Gas	1,400.95
X-SFA-59	Angel Traditional Flueless Gas Fire - 1110 Brushed Steel Fascia - 3.5kW Natural Gas	1,439.95
X-SFA-56	Angel Traditional Flueless Gas Fire - 1110 Satin Black Fascia - 2.7kW Natural Gas	1,336.95
X-SFA-58	Angel Traditional Flueless Gas Fire - 1110 Satin Black Fascia - 3.5kW Natural Gas	1,375.95
X-SFA-64	Angel Traditional Flueless Gas Fire - 840 Brushed Steel Fascia - 2.7kW Natural Gas	1,272.95
X-SFA-62	Angel Traditional Flueless Gas Fire - 840 Brushed Steel Fascia - 3.5kW Natural Gas	1,311.95
X-SFA-65	Angel Traditional Flueless Gas Fire - 840 Satin Black Fascia - 2.7kW Natural Gas	1,208.95
X-SFA-63	Angel Traditional Flueless Gas Fire - 840 Satin Black Fascia - 3.5kW Natural Gas	1,247.95
X-FL-028	Classico Flueless Gas Fire - 1080 1pc Black Granite Fascia - 2.7kW Natural Gas	2,531.00

SKU	Product Name	RRP (inc VAT)
X-FL-135	Classico Flueless Gas Fire - 1080 1pc Black Granite Fascia - 3.5kW Natural Gas	2,570.00
X-FL-032	Classico Flueless Gas Fire - 1080 1pc Creme Travertine Fascia - 2.7kW Natural Gas	2,403.00
X-FL-139	Classico Flueless Gas Fire - 1080 1pc Creme Travertine Fascia - 3.5kW Natural Gas	2,442.00
X-FL-024	Classico Flueless Gas Fire - 1080 1pc Limestone Fascia - 2.7kW Natural Gas	2,339.00
X-FL-132	Classico Flueless Gas Fire - 1080 1pc Limestone Fascia - 3.5kW Natural Gas	2,378.00
X-FL-018	Classico Flueless Gas Fire - 1080 4pc Black Granite Fascia - 2.7kW Natural Gas	2,339.00
X-FL-128	Classico Flueless Gas Fire - 1080 4pc Black Granite Fascia - 3.5kW Natural Gas	2,378.00
X-FL-017	Classico Flueless Gas Fire - 1080 4pc Limestone Fascia - 2.7kW Natural Gas	2,243.00
X-FL-127	Classico Flueless Gas Fire - 1080 4pc Limestone Fascia - 3.5kW Natural Gas	2,282.00
X-FL-016	Classico Flueless Gas Fire - 1080 4pc Madre Perle Fascia - 2.7kW Natural Gas	2,147.00
X-FL-126	Classico Flueless Gas Fire - 1080 4pc Madre Perle Fascia - 3.5kW Natural Gas	2,186.00
X-FL-074	Classico Flueless Gas Fire - 1080 4pc Rigel Fascia - 2.7kW Natural Gas	2,147.00
X-FL-178	Classico Flueless Gas Fire - 1080 4pc Rigel Fascia - 3.5kW Natural Gas	2,186.00
X-FL-007	Classico Flueless Gas Fire - 970 1pc Black Granite Fascia - 2.7kW Natural Gas	2,406.00
X-FL-119	Classico Flueless Gas Fire - 970 1pc Black Granite Fascia - 3.5kW Natural Gas	2,445.00
X-FL-027	Classico Flueless Gas Fire - 970 1pc Creme Travertine Fascia - 2.7kW Natural Gas	2,278.00
X-FL-134	Classico Flueless Gas Fire - 970 1pc Creme Travertine Fascia - 3.5kW Natural Gas	2,317.00
X-FL-006	Classico Flueless Gas Fire - 970 1pc Limestone Fascia - 2.7kW Natural Gas	2,214.00
X-FL-118	Classico Flueless Gas Fire - 970 1pc Limestone Fascia - 3.5kW Natural Gas	2,253.00
X-FL-004	Classico Flueless Gas Fire - 970 4pc Black Granite Fascia - 2.7kW Natural Gas	2,214.00
X-FL-117	Classico Flueless Gas Fire - 970 4pc Black Granite Fascia - 3.5kW Natural Gas	2,253.00
X-FL-003	Classico Flueless Gas Fire - 970 4pc Limestone Fascia - 2.7kW Natural Gas	2,118.00
X-FL-116	Classico Flueless Gas Fire - 970 4pc Limestone Fascia - 3.5kW Natural Gas	2,157.00
X-FL-011	Classico Flueless Gas Fire - 970 4pc Madre Perle Fascia - 2.7kW Natural Gas	2,022.00
X-FL-123	Classico Flueless Gas Fire - 970 4pc Madre Perle Fascia - 3.5kW Natural Gas	2,061.00
X-FL-091	Classico Flueless Gas Fire - 970 4pc Rigel Fascia - 2.7kW Natural Gas	2,022.00
X-FL-195	Classico Flueless Gas Fire - 970 4pc Rigel Fascia - 3.5kW Natural Gas	2,061.00
X-TAF-18	Corona Trad Suite - Oak Surround & 4pc Rigel Fascia with Black Granite Hearth - 2.7kW Natural Gas	2,899.00
X-TAF-35	Corona Trad Suite - Oak Surround & 4pc Rigel Fascia with Black Granite Hearth - 3.5kW Natural Gas	2,938.00
X-TAF-13	Corona Trad Suite - Oak Surround & Brushed Steel Fascia with Black Granite Hearth - 2.7kW Natural Gas	2,849.00
X-TAF-30	Corona Trad Suite - Oak Surround & Brushed Steel Fascia with Black Granite Hearth - 3.5kW - Natural Gas	2,888.00
X-TAF-01	Corona Trad Suite - Oak Surround & Satin Black Fascia with Black Granite Hearth - 2.7kW Natural Gas	2,799.00
X-TAF-19	Corona Trad Suite - Oak Surround & Satin Black Fascia with Black Granite Hearth - 3.5kW Natural Gas	2,838.00
X-TAF-08	Kiah Trad Suite - Black Granite Surround & 4pc Black Granite Fascia with Black Granite Hearth - 2.7kW Natural Gas	3,099.00
X-TAF-25	Kiah Trad Suite - Black Granite Surround & 4pc Black Granite Fascia with Black Granite Hearth - 3.5kW Natural Gas	3,138.00
X-TAF-09	Kiah Trad Suite - Madre Perle Surround & 4pc Madre Perle Fascia with Black Granite Hearth - 2.7kW Natural Gas	2,879.00
X-TAF-26	Kiah Trad Suite - Madre Perle Surround & 4pc Madre Perle Fascia with Black Granite Hearth - 3.5kW Natural Gas	2,918.00
X-TAF-05	Kiah Trad Suite - Rigel Surround & 4pc Rigel Fascia with Black Granite Hearth - 2.7kW Natural Gas	2,799.00
X-TAF-22	Kiah Trad Suite - Rigel Surround & 4pc Rigel Fascia with Black Granite Hearth - 3.5kW Natural Gas	2,838.00

SKU	Product Name	RRP (inc VAT)
X-FL-330	Liten Classico Flueless Gas Fire - 1pc Creme Travertine Fascia - 2.7kW Natural Gas	2,127.00
X-FL-331	Liten Classico Flueless Gas Fire - 1pc Creme Travertine Fascia - 3.5kW Natural Gas	2,166.00
X-FL-105	Liten Classico Flueless Gas Fire - 4pc Black Granite Fascia - 2.7kW Natural Gas	2,127.00
X-FL-209	Liten Classico Flueless Gas Fire - 4pc Black Granite Fascia - 3.5kW Natural Gas	2,166.00
X-FL-098	Liten Classico Flueless Gas Fire - 4pc Limestone Fascia - 2.7kW Natural Gas	2,042.00
X-FL-202	Liten Classico Flueless Gas Fire - 4pc Limestone Fascia - 3.5kW Natural Gas	2,081.00
X-FL-338	Liten Classico Flueless Gas Fire - 4pc Madre Perle Fascia - 2.7kW Natural Gas	1,967.00
X-FL-343	Liten Classico Flueless Gas Fire - 4pc Rigel Fascia - 2.7kW Natural Gas	1,967.00
X-FL-108	Liten Moderno Flueless Gas Fire - 1pc Black Granite Fascia - 2.7kW Natural Gas	2,063.00
X-FL-212	Liten Moderno Flueless Gas Fire - 1pc Black Granite Fascia - 3.5kW Natural Gas	2,102.00
X-FL-069	Liten Moderno Flueless Gas Fire - 1pc Creme Travertine Fascia - 2.7kW Natural Gas	1,999.00
X-FL-174	Liten Moderno Flueless Gas Fire - 1pc Creme Travertine Fascia - 3.5kW Natural Gas	2,038.00
X-FL-094	Liten Moderno Flueless Gas Fire - 1pc Limestone Fascia - 2.7kW Natural Gas	1,935.00
X-FL-198	Liten Moderno Flueless Gas Fire - 1pc Limestone Fascia - 3.5kW Natural Gas	1,974.00
X-FL-064	Liten Moderno Flueless Gas Fire - 4pc Black Granite Fascia - 2.7kW Natural Gas	1,999.00
X-FL-169	Liten Moderno Flueless Gas Fire - 4pc Black Granite Fascia - 3.5kW Natural Gas	2,038.00
X-FL-077	Liten Moderno Flueless Gas Fire - 4pc Limestone Fascia - 2.7kW Natural Gas	1,914.00
X-FL-181	Liten Moderno Flueless Gas Fire - 4pc Limestone Fascia - 3.5kW Natural Gas	1,953.00
X-FL-076	Liten Moderno Flueless Gas Fire - 4pc Madre Perle Fascia - 2.7kW Natural Gas	1,839.00
X-FL-180	Liten Moderno Flueless Gas Fire - 4pc Madre Perle Fascia - 3.5kW Natural Gas	1,878.00
X-FL-065	Liten Moderno Flueless Gas Fire - 4pc Rigel Fascia - 2.7kW Natural Gas	1,839.00
X-FL-170	Liten Moderno Flueless Gas Fire - 4pc Rigel Fascia - 3.5kW Natural Gas	1,878.00
X-FL-046	Moderno Flueless Gas Fire - 1080 1pc Black Granite Fascia - 2.7kW Natural Gas	2,383.95
X-FL-153	Moderno Flueless Gas Fire - 1080 1pc Black Granite Fascia - 3.5kW Natural Gas	2,422.95
X-FL-059	Moderno Flueless Gas Fire - 1080 1pc Creme Travertine Fascia - 2.7kW Natural Gas	2,251.95
X-FL-165	Moderno Flueless Gas Fire - 1080 1pc Creme Travertine Fascia - 3.5kW Natural Gas	2,294.95
X-FL-048	Moderno Flueless Gas Fire - 1080 1pc Limestone Fascia - 2.7kW Natural Gas	2,191.95
X-FL-155	Moderno Flueless Gas Fire - 1080 1pc Limestone Fascia - 3.5kW Natural Gas	2,230.95
X-FL-044	Moderno Flueless Gas Fire - 1080 4pc Black Granite Fascia - 2.7kW Natural Gas	2,191.95
X-FL-151	Moderno Flueless Gas Fire - 1080 4pc Black Granite Fascia - 3.5kW Natural Gas	2,230.95
X-FL-043	Moderno Flueless Gas Fire - 1080 4pc Limestone Fascia - 2.7kW Natural Gas	2,095.95
X-FL-150	Moderno Flueless Gas Fire - 1080 4pc Limestone Fascia - 3.5kW Natural Gas	2,134.95
X-FL-045	Moderno Flueless Gas Fire - 1080 4pc Madre Perle Fascia - 2.7kW Natural Gas	1,999.95
X-FL-152	Moderno Flueless Gas Fire - 1080 4pc Madre Perle Fascia - 3.5kW Natural Gas	2,038.95
X-FL-093	Moderno Flueless Gas Fire - 1080 4pc Rigel Fascia - 2.7kW Natural Gas	1,999.95
X-FL-197	Moderno Flueless Gas Fire - 1080 4pc Rigel Fascia - 3.5kW Natural Gas	2,038.95
X-FL-056	Moderno Flueless Gas Fire - 970 1pc Black Granite Fascia - 2.7kW Natural Gas	2,258.95
X-FL-162	Moderno Flueless Gas Fire - 970 1pc Black Granite Fascia - 3.5kW Natural Gas	2,297.95
X-FL-051	Moderno Flueless Gas Fire - 970 1pc Creme Travertine Fascia - 2.7kW Natural Gas	2,258.95

SKU	Product Name	RRP (inc VAT)
X-FL-157	Moderno Flueless Gas Fire - 970 1pc Creme Travertine Fascia - 3.5kW Natural Gas	2,169.95
X-FL-049	Moderno Flueless Gas Fire - 970 1pc Limestone Fascia - 2.7kW Natural Gas	2,066.95
X-FL-156	Moderno Flueless Gas Fire - 970 1pc Limestone Fascia - 3.5kW Natural Gas	2,105.95
X-FL-041	Moderno Flueless Gas Fire - 970 4pc Black Granite Fascia - 2.7kW Natural Gas	2,066.95
X-FL-148	Moderno Flueless Gas Fire - 970 4pc Black Granite Fascia - 3.5kW Natural Gas	2,105.95
X-FL-040	Moderno Flueless Gas Fire - 970 4pc Limestone Fascia - 2.7kW Natural Gas	1,970.95
X-FL-147	Moderno Flueless Gas Fire - 970 4pc Limestone Fascia - 3.5kW Natural Gas	2,009.95
X-FL-042	Moderno Flueless Gas Fire - 970 4pc Madre Perle Fascia - 2.7kW Natural Gas	1,874.95
X-FL-149	Moderno Flueless Gas Fire - 970 4pc Madre Perle Fascia - 3.5kW Natural Gas	1,913.95
X-FL-092	Moderno Flueless Gas Fire - 970 4pc Rigel Fascia - 2.7kW Natural Gas	1,874.95
X-FL-196	Moderno Flueless Gas Fire - 970 4pc Rigel Fascia - 3.5kW Natural Gas	1,913.95
P-CC133	Moderno/Classico Brushed Steel Recess Gather - Rev 7	159.00
P-CC012	Recess Plate - Angel Standard [1040] Brushed Steel - Rev 5	959.00
P-CC164	Recess Plate - Angel Standard [1040] PCS Black - Rev 5	799.00
P-CC019	Recess Plate - Angel Standard [1040] PCS Cream - Rev 5	799.00
P-CC504	Recess Plate - Angel Standard [1040] PCS White - Rev 5	799.00
P-CC375	Recess Plate - Fireline Standard [1200] Brushed Steel - Rev 9	959.00
P-CC486	Recess Plate - Fireline Standard [1200] PCS Black - Rev 9	799.00
P-CC485	Recess Plate - Fireline Standard [1200] PCS Cream - Rev 9	799.00
P-CC487	Recess Plate - Fireline Standard [1200] PCS White - Rev 9	799.00
P-CC021	Recess Plate - Fireline/Angel Widescreen [1410] Brushed Steel - Rev 8	959.00
P-CC110	Recess Plate - Fireline/Angel Widescreen [1410] PCS Black - Rev 8	799.00
P-CC111	Recess Plate - Fireline/Angel Widescreen [1410] PCS Cream - Rev 8	799.00
P-CC112	Recess Plate - Fireline/Angel Widescreen [1410] PCS White - Rev 8	799.00
P-CC484	Universal Flueless Fire PCS Black Traditional Recess Gather - Rev 5	159.00

Note: Only the Natural Gas version is shown on the price list however fires are also available for use with LPG/Propane. To calculate the price of the LPG/Propane version add £44. Prices valid for 30 days from published date below and include VAT @ 20%. For the latest offers and to place your order **Call Sales on 01325-301020, Monday to Saturday 9am to 6pm**. For images, videos and technical specifications visit our web site at www.cvo.co.uk. Fires are available for all installation types and fuel types – gas, wood, bioethanol and electric. To receive information on our other ranges, call sales. Trade accounts are set up upon application.

Spirit Fires Ltd, Unit 4, Beaumont Square, Durham Way South, Newton Aycliffe, County Durham, DL5 6XN