

BLADE® - High Efficiency Gas Fire [Glass Fronted]

with Manual Control System

Index # 99, Rev-5, Page 1 of 3

CVO Fire : 01325-301020 : www.cvo.co.uk : sales@cvo.co.uk

MATERIAL OPTIONS:

- Burner: for use with Natural Gas Only
- Enclosure: Satin Black.
- Fascia Options: Satin Black or Brushed Stainless Steel.

CE APPROVAL:

The Blade is CE approved for I2H-G20-20mBar and is available for all European Countries using this gas type.

POWER RATING:

Natural Gas: 4.6kw [approx 20p/hour], Flow Rate: 0.5m3/Hour

DIMENSIONS:

Construction Opening:	HEIGHT: 520mm x WIDTH: 650mm
Minimum Opening Depth:	193mm
Overall Dimensions of Fascia:	HEIGHT: 596mm x WIDTH: 960mm
Opening Size [Glass Panel]:	HEIGHT: 379mm x WIDTH: 592mm
Overall Dimensions of Fire:	See drawings on page 2.

OTHER TECHNICAL INFORMATION:

1. **Test Standard : BS7977:2009**
2. **Efficiency Class 1 (84%)**
3. **NOx Class 4 (140mg/kWh / 12.2ppm)**
4. The Blade fire is available for Natural Gas Only.
5. ODS (Oxygen Depletion System), to monitor oxygen levels in the room (gas only).
6. No additional room ventilation is required.
7. This is a glass fronted appliance and the glass becomes very hot during operating. It is advised to mount the fire at a height away from children. It is also advised that when operating the appliance in a room that a fireguard for the protection of children and the elderly should be used.
8. **IGNITION/CONTROL:**
 - a. The fire is operated by a piezo manual control ignition and control valve. This will light the fire and adjust the flame between high and low settings. The control is hidden behind the fascia. To access the valve the fascia must be lifted from the bottom edge. This system allows for easy installation and increased reliability.
9. **OPENING:**
 - a. The fire is supplied as a steel cartridge to allow easy installation and must be sealed to the fireplace opening.
 - b. The fire is designed to be installed within a fireplace opening or cavity which is built inline with current regulations. See install booklet. For approximate sizes see above.
 - c. The depth of the enclosure is 157mm from the finished wall to the back of the enclosure. There is an additional 53mm which floats out from the wall. This is to allow convection of air and to increase the efficiency of the appliance. The fascia must not be installed flush with the wall.
10. **CHIMNEY:**
 - a. Suitable for chimneys and flue Systems with a minimum of 125mm x 3m length. The fire can be installed in a brick built chimney however a gap must be provided for debris. Brick chimneys will require sweeping and testing prior to installation.
11. **PIPE WORK:**
 - a. The fire has a heat input rating of 4.6kw and requires an 8mm inlet and 0.5m3/hr of gas.
 - b. The pipe work must be able to maintain the inlet pressure at 20mBar when on full.
12. **SHELF ABOVE THE FIRE**
 - a. See page 3

=====
CVO reserve the right to amend and improve the specification sheets without prior notice. If in doubt about any aspect of this specification please call. The specification is not to be used to install the fireplace. Every fire is supplied with an official install booklet. Spirit Fires Limited own the Spirit, CVO and Firevault Trademarks. Copying and distribution of these specifications is not permitted without the permission of Spirit Fires Ltd. All dimensions include a +/-2mm tolerance.

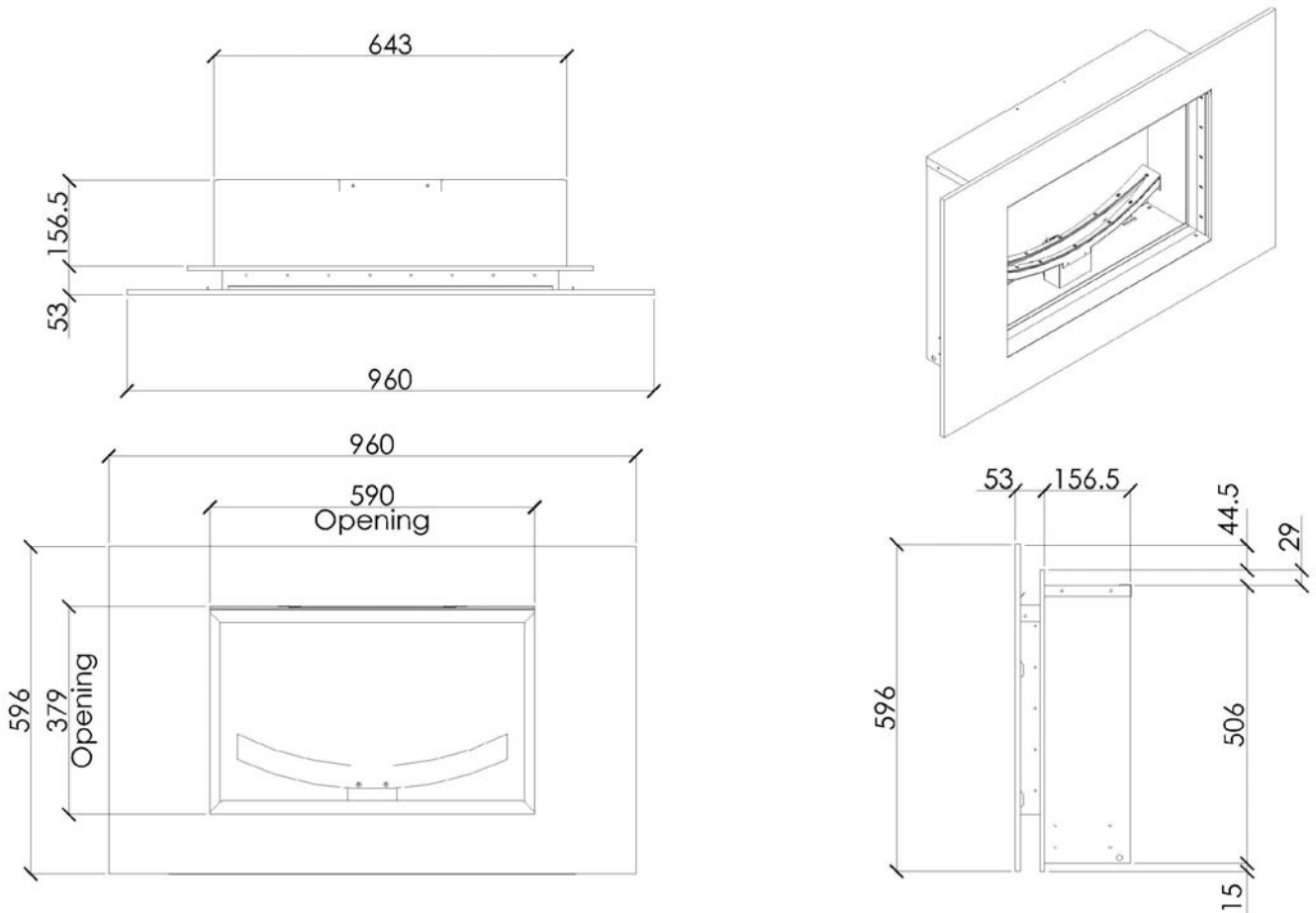
Spirit Fires Ltd, 4 Beaumont Square, Durham Way South, Newton Aycliffe, County Durham, DL5 6XN
Sales: +44 (0)1325-301020 Office: +44 (0) 1325 327 221 Fax: +(0)1325 327 292 Email: sales@cvo.co.uk Web: www.cvo.co.uk

SHOWROOM: CVO Fires can be seen live in our FIREVAULT showrooms based in the North and South of the UK.
Visit www.firevault.co.uk or call 01325-301020 for full contact details, location maps and directions.

BLADE® - High Efficiency Gas Fire [Glass Fronted]
with Manual Control System

Index # 99, Rev-5, Page 2 of 3

CVO Fire : 01325-301020 : www.cvo.co.uk : sales@cvo.co.uk



=====
CVO reserve the right to amend and improve the specification sheets without prior notice. If in doubt about any aspect of this specification please call. The specification is not to be used to install the fireplace. Every fire is supplied with an official install booklet. Spirit Fires Limited own the Spirit, CVO and Firevault Trademarks. Copying and distribution of these specifications is not permitted without the permission of Spirit Fires Ltd. All dimensions include a +/-2mm tolerance.

Spirit Fires Ltd, 4 Beaumont Square, Durham Way South, Newton Aycliffe, County Durham, DL5 6XN
Sales: +44 (0)1325-301020 Office: +44 (0) 1325 327 221 Fax: +(0)1325 327 292 Email: sales@cvo.co.uk Web: www.cvo.co.uk

SHOWROOM: CVO Fires can be seen live in our FIREVAULT showrooms based in the North and South of the UK.
Visit www.firevault.co.uk or call 01325-301020 for full contact details, location maps and directions.

BLADE® - High Efficiency Gas Fire [Glass Fronted]
with Manual Control System

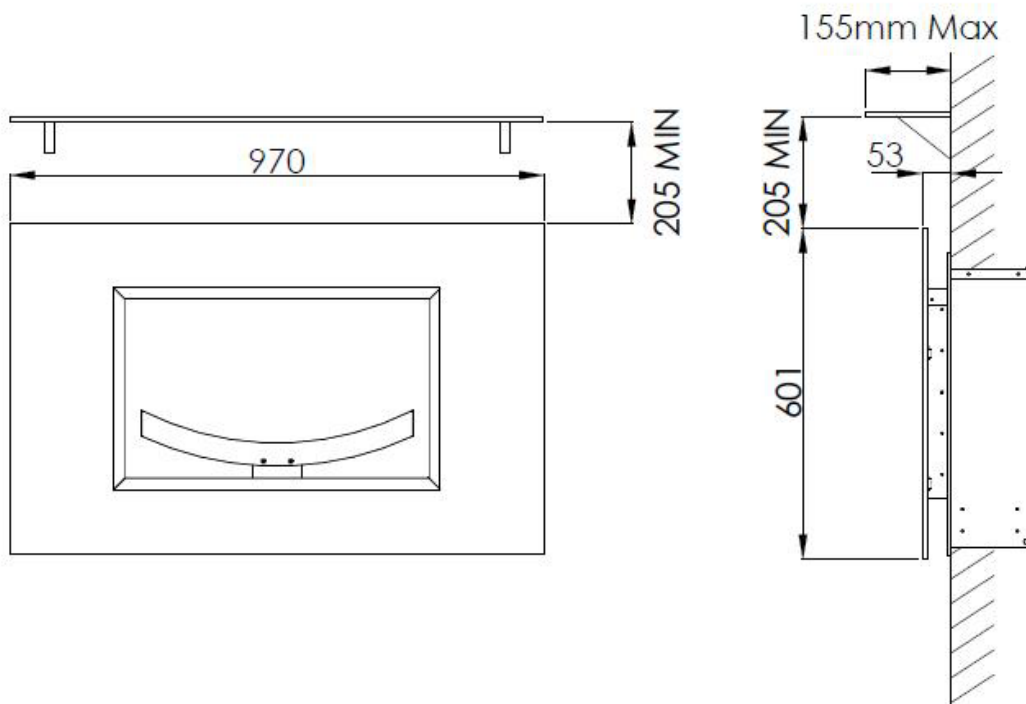
Index # 99, Rev-5, Page 3 of 3

CVO Fire : 01325-301020 : www.cvo.co.uk : sales@cvo.co.uk

Fitting a Shelf Above The Fire

- The shelf must be made of a non-combustible material.
- The shelf must be positioned 205mm or greater above the top edge of the fascia (not the fire body)
- The shelf must protrude out of the wall a maximum of 155mm.
- The shelf should be 960mm or wider.

Refer to drawing below:



If fitting a TV above the shelf it is advised that heat tests are done to check the transmission of heat above the shelf before deciding if the TV should be wall mounted or recessed. CVO accepts no responsibility for damage caused by installing a TV above the fireplace or shelf, this is done at the owners risk.

=====
CVO reserve the right to amend and improve the specification sheets without prior notice. If in doubt about any aspect of this specification please call. The specification is not to be used to install the fireplace. Every fire is supplied with an official install booklet. Spirit Fires Limited own the Spirit, CVO and Firevault Trademarks. Copying and distribution of these specifications is not permitted without the permission of Spirit Fires Ltd. All dimensions include a +/-2mm tolerance.

Spirit Fires Ltd, 4 Beaumont Square, Durham Way South, Newton Aycliffe, County Durham, DL5 6XN
Sales: +44 (0)1325-301020 Office: +44 (0) 1325 327 221 Fax: +(0)1325 327 292 Email: sales@cvo.co.uk Web: www.cvo.co.uk

SHOWROOM: CVO Fires can be seen live in our FIREVAULT showrooms based in the North and South of the UK.
Visit www.firevault.co.uk or call 01325-301020 for full contact details, location maps and directions.