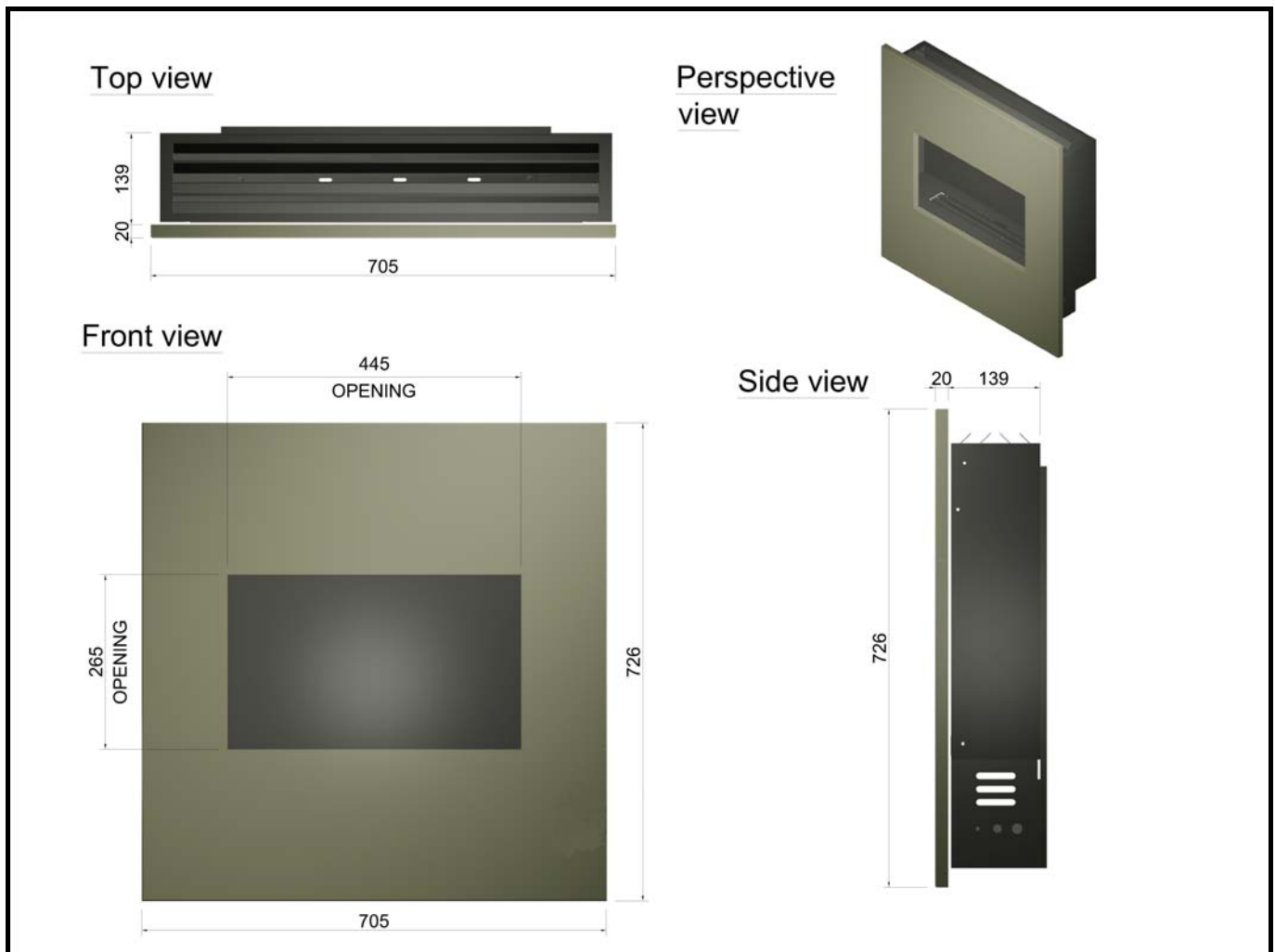


LITEN – Wall Mounted Fire [Flueless Gas Fire]

Index # 96, Rev-7 / 18-Dec-2014, Page 1 of 2

CVO Fire : 01325-301020 : www.cvo.co.uk : sales@cvo.co.uk

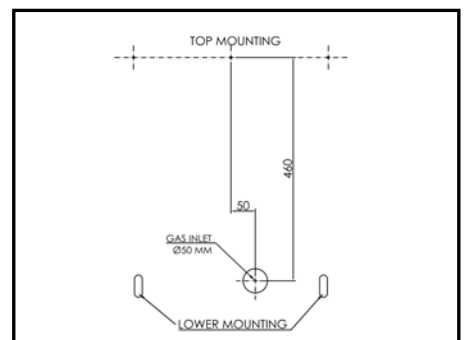


Gas Pipe Location:

The gas pipe is located behind the fascia. The hole position is shown on the image on the right. The fire is mounted on to the wall using a wall bracket. Once this is fitted the fire body is lifted on to the wall bracket and fixed via the lower mounting points to stop the fire being lifted back off the bracket.

The location of the gas pipe hole is approximately 600mm from the top edge of the fascia on the fire. Note it is offset to the right by 50mm.

The gas is fixed via an 8mm isolation test point within the fire. This test point must be used to test the gas pressure when commissioning the fire. See install booklet for commissioning procedure.



=====
CVO reserve the right to amend and improve the specification sheets without prior notice. The specification is not to be used to install the fireplace. Every fire is supplied with an official install booklet. Spirit Fires Limited own the Spirit, CVO and Firevault Trademarks. Copying and distribution of these specifications is not permitted without the permission of Spirit Fires Ltd. All dimensions include a +/- 2mm tolerance.

Spirit Fires Ltd, 4 Beaumont Square, Durham Way South, Newton Aycliffe, County Durham, DL5 6XN
Sales: +44 (0)1325-301020 Office: +44 (0) 1325 327 221 Fax: +(0)1325 327 292 Email: sales@cvo.co.uk Web: www.cvo.co.uk

SHOWROOM: CVO Fires can be seen live in our FIREVAULT showrooms based in the North and South of the UK. Visit www.firevault.co.uk or call 01325-301020 for full contact details, location maps and directions.

LITEN – Wall Mounted Fire [Flueless Gas Fire]

Index # 96, Rev-7 / 18-Dec-2014, Page 2 of 2

CVO Fire : 01325-301020 : www.cvo.co.uk : sales@cvo.co.uk

DESCRIPTION:

- This fire is designed to be wall mounted however with the addition of the special deflector gather the fire can be used within an existing traditional fireplace surround (in line with the installation instructions)

FIRE OPTIONS:

- INTERIOR:**
 - LITEN CLASSICO** – This has a highly polished interior.
 - LITEN MODERNO** – This has a satin black interior.
- FASCIA:**
 - Stone Types available: Rigel (cream), Black Granite & Limestone. Others on request.

CE APPROVAL:

- The fire is CE approved for delivery to any country within the EU.
- The fire is approved for 11 different Natural Gas and LPG gas categories: ask for details.

INLET POWER, ROOM INTERNAL SPACE AND FREE AIR VENT

Gas Type	Fire Heat Input Version		"Minimum" Internal Room Space	Required Free Air Wall Vent	Approx Running Cost
	HIGH	LOW			
Natural Gas – 2.7kW	2.7 kW	2.0 kW	27 m3	100 cm2	9p/Hour *
Natural Gas – 3.5kW	3.5 kW	2.7 kW	40 m3	125 cm2	12p/Hour *
LPG/Propane – 3.5kW	3.5 kW	2.7 kW	40 m3	125 cm2	21p/Hour **

* Based on approximate figures as gas prices are variable.

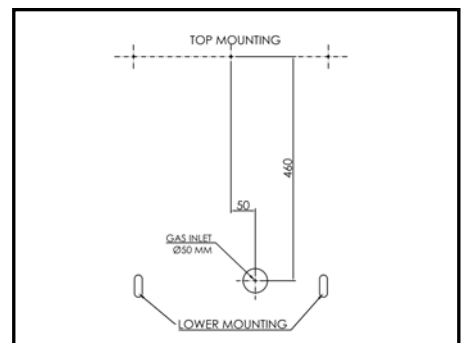
** Based on a 47Kg Bottle at £39.99/Bottle.

DIMENSIONS:

- Overall dimensions of the stone surround:** HEIGHT: 726mm x WIDTH: 705mm x THICKNESS: 20mm.
- Overall Projection from the wall:** 170mm.
- Dimensions of Fascia Opening:** HEIGHT: 265mm x WIDTH: 450mm.

OTHER TECHNICAL INFORMATION:

- Easy Installation with "Hung on Wall" Design. If using within an existing traditional surround a deflector gather must be purchased as an optional extra with the fire. The surround must comply with our minimum requirements. If in doubt ask for a copy of the technical specification of the fire with surround.
- Ventilation Requirements:** The room in which the fire is to be installed must have a wall vent as specified in the table shown above. The room in which the fire is to be installed must have a window that can be opened. The vent must be positioned at least 1m away from the appliance.
- Room Size:** The fire must not be used in an internal space of "less" than the "minimum" specified in the table above. Adjoining spaces not separated by a door may be included. Flueless Gas Fires are classed as a decorative, secondary heat source. Example Calculation - 2.5m x 4m x 4.5m = 45m3. To convert from cubic feet (ft3) to cubic meter (m3), divide the room's volume in cubic feet by 35.3. If the room size is smaller than 100m3 it is advised to purchase the 2.7Kw version.
- Fire is available to buy for Natural Gas or LPG/Propane. Please specify when ordering.
- Fire is operated by a Manual Control Knob on the lower right side behind the fascia.



NOTE: When using the modified model with a deflector for use in a "non-CVO" traditional surround, the surround must comply with the following requirements; Maximum depth 132mm, clearances around the fascia is minimum 132mm from the fascia edge, the surround must be made of a non-combustible material. If in doubt call Sales before ordering as failure to observe the manufacturer's instructions will result in the gas engineer refusing to install the fire.

=====
CVO reserve the right to amend and improve the specification sheets without prior notice. The specification is not to be used to install the fireplace. Every fire is supplied with an official install booklet. Spirit Fires Limited own the Spirit, CVO and Firevault Trademarks. Copying and distribution of these specifications is not permitted without the permission of Spirit Fires Ltd. All dimensions include a +/- 2mm tolerance.

Spirit Fires Ltd, 4 Beaumont Square, Durham Way South, Newton Aycliffe, County Durham, DL5 6XN
Sales: +44 (0)1325-301020 Office: +44 (0) 1325 327 221 Fax: +(0)1325 327 292 Email: sales@cvo.co.uk Web: www.cvo.co.uk

SHOWROOM: CVO Fires can be seen live in our FIREVAULT showrooms based in the North and South of the UK. Visit www.firevault.co.uk or call 01325-301020 for full contact details, location maps and directions.