

Firebreak – Fire Ribbon (FR1200)

Index # 19 - Rev-24 / 23-Sept-2021

DESCRIPTION

Burner is operated by battery powered thermostatic remote control with handset. The remote can adjust the flame in 8 steps from high to low and it is possible to select a room temperature and the handset will adjust the flame automatically. The fire has a 10Kw burner available for Natural Gas or LPG/Propane. The fire is supplied with a steel chamber including fixed gather (must be used) and a glass panel. The gather and glass panel must be used. The fire is designed as a complete fire assembly to allow easy installation.



ENCLOSURE OPTIONS

Stone enclosure in Black Granite or Limestone [others available upon request]

DIMENSIONS

Overall dimensions of the fire - See drawings on page 2.

UKCA, UKNI AND EU APPROVAL

The Firebreak is UKCA, UKNI & EU approved for the following and is available for all European Countries using this gas.

Natural Gas – I2H - G20 / 20mBar

LPG – I3P – G31 / 37mBar

POWER RATING AND RUNNING COST

Natural Gas - Heat Input 10kW, Flow Rate 0.952m³/hour - [40p/hour]

LPG/Propane Gas – heat Input 10kW, Flow rate 0.376m³/hour

OTHER TECHNICAL INFORMATION

1. Fire is supplied as a complete package: Ribbon Burner, Remote Control, Steel Enclosure, Gather Unit and Stone.
2. The fire is fitted with safety devices in line with the latest UKCA, UKNI & EU regulations.
3. The gather is supplied with fire – this must be used.
4. The fire has a small glass panel at the top of the enclosure, this is required, do not remove. If damaged, it must be replaced.
5. The front stone section is a “floating hearth” it is not supposed to be used as a shelf. Do not lean on or place heavy items on it.
6. Pipework - This is a very powerful fire and requires an 8mm gas inlet. The gas pipe work is critical and must be able to supply a steady gas supply when the fire is on full power, insufficient gas will cause the appliance to shut down and become unreliable. The gas pressure must be tested using the test point supplied within the fire, with the fire on full.
7. Chimney or flue system
 - a. Flue liner – minimum is 180mm diameter by 3m length.
 - b. Chimney – minimum 7” diameter or class1 with 3m minimum length.
8. Notes on Limestone Version - Limestone is a soft material which can contain high concentrations of fossils. The positioning and quantity of these fossils is totally random and is part of the natural beauty of this type of stone. Limestone is absorbent and is easily marked by liquids. We supply the stone un-sealed as most customers prefer this natural look. Limestone sealer is available from most DIY superstores. Due to the size of the flame, it is likely that the limestone model will be marked by soot from the flame. This is unavoidable.
9. Ventilation – This appliance requires room ventilation from outside (air vent).

=====

CVO reserve the right to amend and improve the specification sheets without prior notice. If in doubt about any aspect of this specification, please call. The specification is not to be used to install the fireplace. Every fire is supplied with an official install booklet. Spirit Fires Limited own the Spirit, CVO and Firevault Trademarks. Copying and distribution of these specifications is not permitted without the permission of Spirit Fires Ltd. All dimensions include a +/-2mm tolerance.

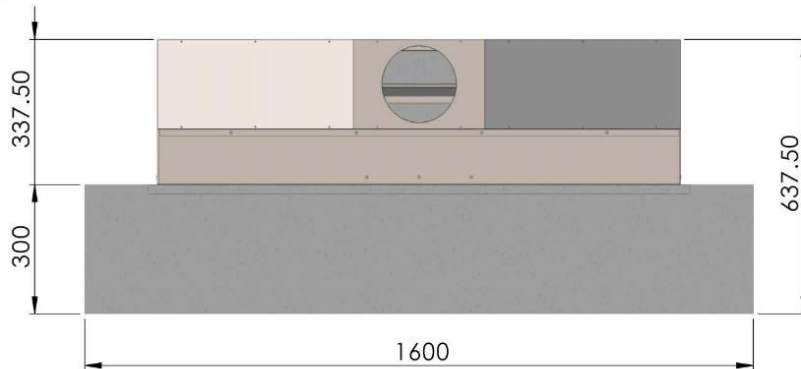
Spirit Fires Ltd, 4 Beaumont Square, Durham Way South, Newton Aycliffe, County Durham, DL5 6XN
 Sales: +44 (0)1325-301020 Office: +44 (0) 1325 327 221 Fax: +(0)1325 327 292 Email: sales@cvo.co.uk Web: www.cvo.co.uk

SHOWROOM: CVO Fires can be seen live in our FIREVAULT showroom based in the North of the UK.
 Visit www.firevault.co.uk or call 01325-301020 for full contact details, location maps and directions.

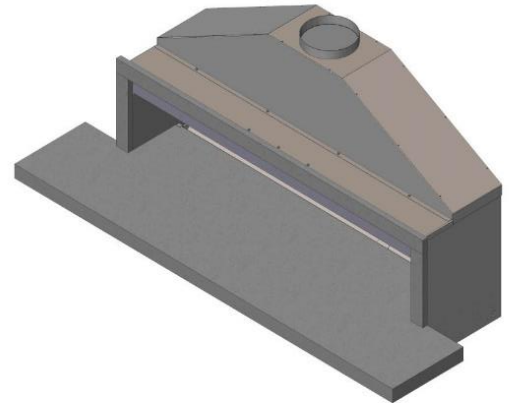
Firebreak – Fire Ribbon (FR1200)

Index # 19 - Rev-24 / 23-Sept-2021

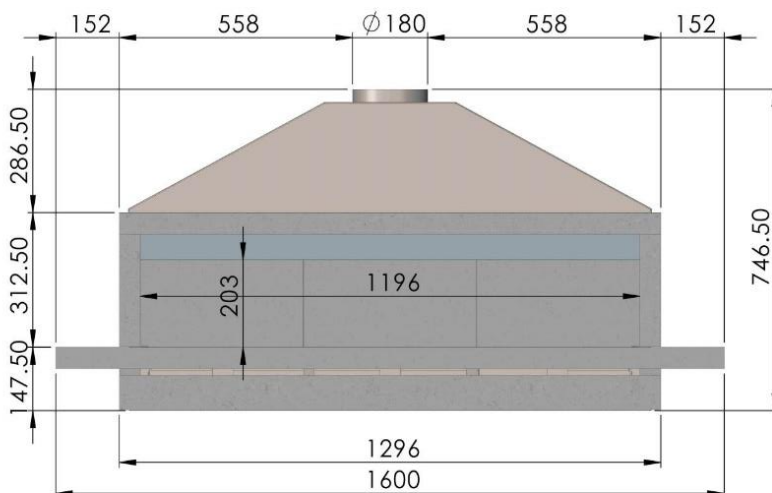
TOP VIEW



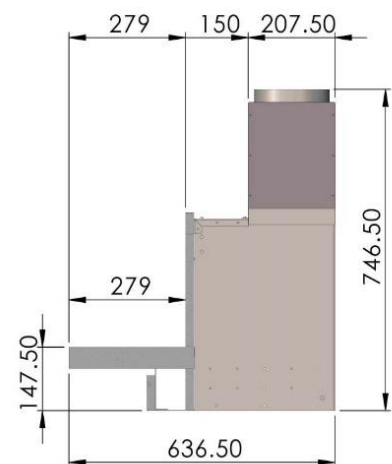
PERSPECTIVE VIEW



FRONT VIEW



SIDE VIEW



The complete assembly as shown in the image must be installed. The flue outlet must be sealed to the chimney or the flue liner.

=====

CVO reserve the right to amend and improve the specification sheets without prior notice. If in doubt about any aspect of this specification, please call. The specification is not to be used to install the fireplace. Every fire is supplied with an official install booklet. Spirit Fires Limited own the Spirit, CVO and Firevault Trademarks. Copying and distribution of these specifications is not permitted without the permission of Spirit Fires Ltd. All dimensions include a +/-2mm tolerance.

Spirit Fires Ltd, 4 Beaumont Square, Durham Way South, Newton Aycliffe, County Durham, DL5 6XN
 Sales: +44 (0)1325-301020 Office: +44 (0) 1325 327 221 Fax: +(0)1325 327 292 Email: sales@cvo.co.uk Web: www.cvo.co.uk

SHOWROOM: CVO Fires can be seen live in our FIREVAULT showroom based in the North of the UK.
 Visit www.firevault.co.uk or call 01325-301020 for full contact details, location maps and directions.