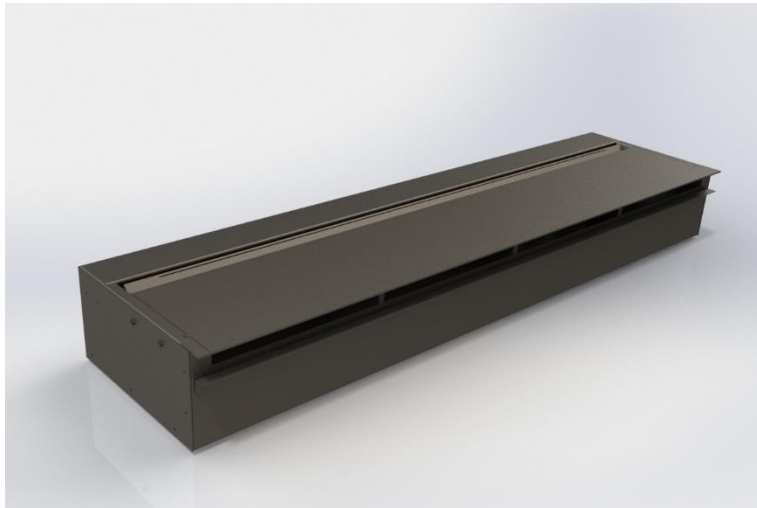


## FR1200 Single Sided Burner & Canopy with Steel Shelves

Index # 135, Rev-3 / 25-Oct-2019

### DESCRIPTION

This burner tray is supplied to trade customers for use in a fireplace which will be designed others. The product is CE approved when installed as instructed in the installation manual provided. The standard burner is designed to be installed in a fireplace with a minimum of 3m of 178mm flue liner and with a maximum opening height of 200mm. If there is any deviation from the technical requirements shown then specialist flue system, fireplace design and ventilation knowledge will be required. If in doubt consult your fireplace designer/installer. The fire is approved as part of a single-sided [front only] fireplace that is CE approved with an opening size of H200mm x W1200mm x D315mm and a minimum flue of 178mm x 3.0m length. Any deviation outside this will require specialist flue knowledge and possibly a fan exhaust system. It is strongly advised to consult a flue specialist to perform a full site survey before ordering. The box is supplied with the steel shelves (tops) in either Matt Black, Brushed or Polished Steel.



### CE APPROVAL

The Burner Box is CE approved for Natural Gas I2H – G20 / 20mBar or LPG I3P – G31 / 37mBar and is available and is available for all European Countries using this gas type.

### POWER RATING

Natural Gas – Heat Input 10kW, Flow Rate 0.952m3/hour  
LPG/Propane Gas – Heat Input 10kW, Flow Rate 0.376m3/hour

### DIMENSIONS

Please see page 2 for technical drawings and dimensions

### VENTILATION

This appliance requires room ventilation from outside (air vent).

### WARRANTY

The warranty is limited to the burner only and if a fault should arise during the warranty period the burner must be removed and returned to the factory at the buyer's cost. If the fault is due to component failure repairs will be free of charge. If repairs are due to misuse or site damage the costs of repair will be chargeable. The product is designed to be reliable and function correctly when used as instructed in the install manual. There are many suite specific conditions which can affect the operation of the fire and as Spirit Fires has not been involved in the fireplace design, we will not accept any responsibility for site specific conditions affecting the performance of the fire. This fire is supplied as a bespoke item and must be installed in line with local building and gas safe regulations. Guidance is given on the use, installation and ventilation requirements. All other factors are the responsibility of the buyer. If the fire burner is modified, covered or any other type of stone is used the warranty is void. Orders are taken on the basis that this statement has been agreed between both parties.

### TECHNICAL INFORMATION

1. Choose from either clean ribbon of flame, logs or pebbles.
2. Ignition - The gas burner is operated by a RF (radio frequency) battery powered remote system with handset. The batteries have a life of 12 months or greater depending on usage. High quality batteries should be used. The handset shows the condition of the batteries in the handset and the fire. The remote includes a thermostat to regulate the room temperature.
3. The minimum flue requirement is 175mm diameter flue liner with a minimum length of 3.0m. The burner can also be installed in a class1 brick chimney. The burner has a matching canopy – this should be used to ensure reliable performance.
4. The fire has a power rating of 10kw and requires an 8mm gas inlet. See flow rates above. The pipework to the fire must be capable of supplying a steady inlet pressure when operating on full. It is advised to route using at least 28mm pipes then reducing to 8mm at the fire. The pipework should be routed to ensure there is no pressure drop when other gas appliances in the home are being used. If the pressure is not sufficient to maintain the burner operation the fire will shut down.
5. Tested to the latest CE safety standard. Fitted with ODS (Oxygen Depletion System) safety system.
6. The final fireplace needs designing with ducting providing ventilation to the burner for combustion and to ensure the flame remains upright. Failure to do this may result in serious burner damage not covered by the warranty. Please ask for Specification Number 103 as this provides extra guidance on how to create this air requirement.

CVO reserve the right to amend and improve the specification sheets without prior notice. If in doubt about any aspect of this specification, please call. The specification is not to be used to install the fireplace. Every fire is supplied with an official install booklet. Spirit Fires Limited own the Spirit, CVO and Firevault Trademarks. Copying and distribution of these specifications is not permitted without the permission of Spirit Fires Ltd.

All dimensions include a +/-2mm tolerance.

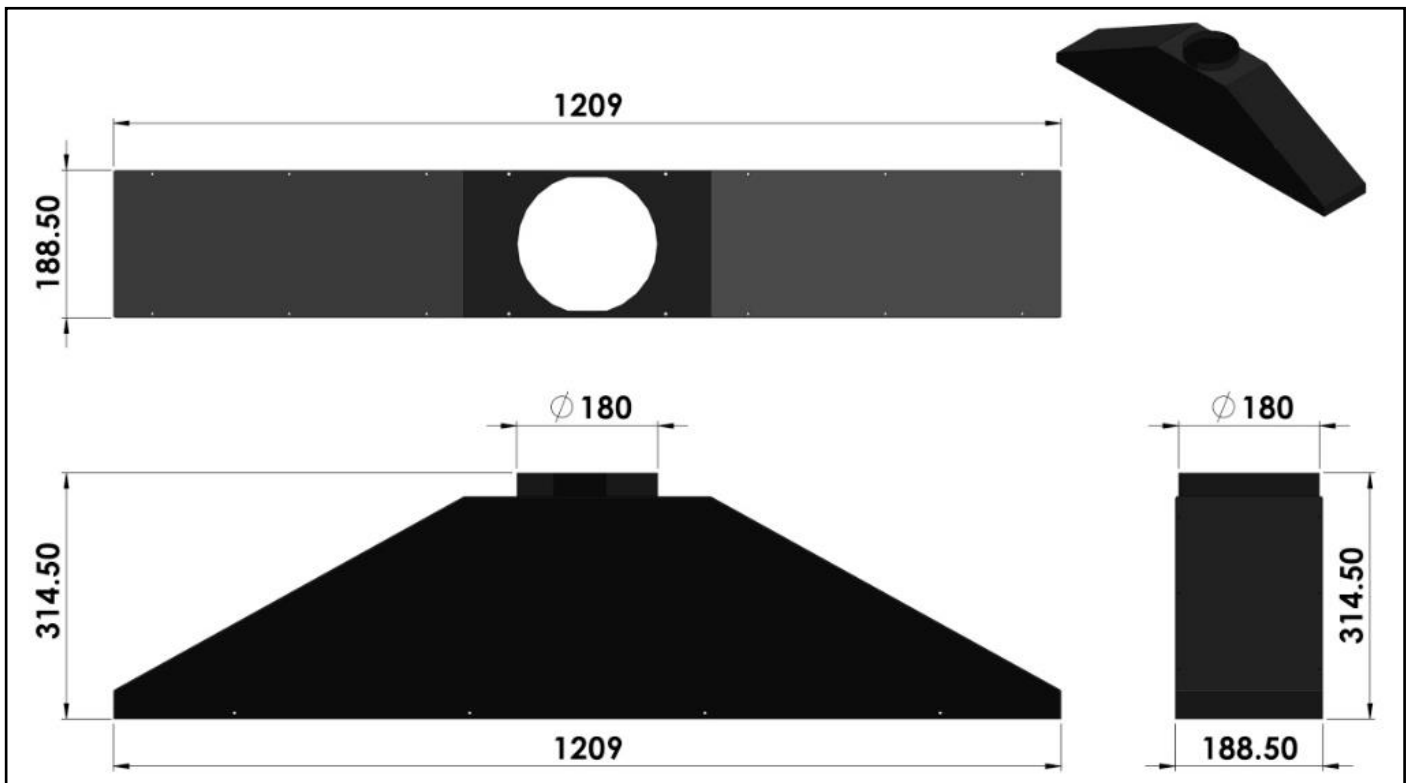
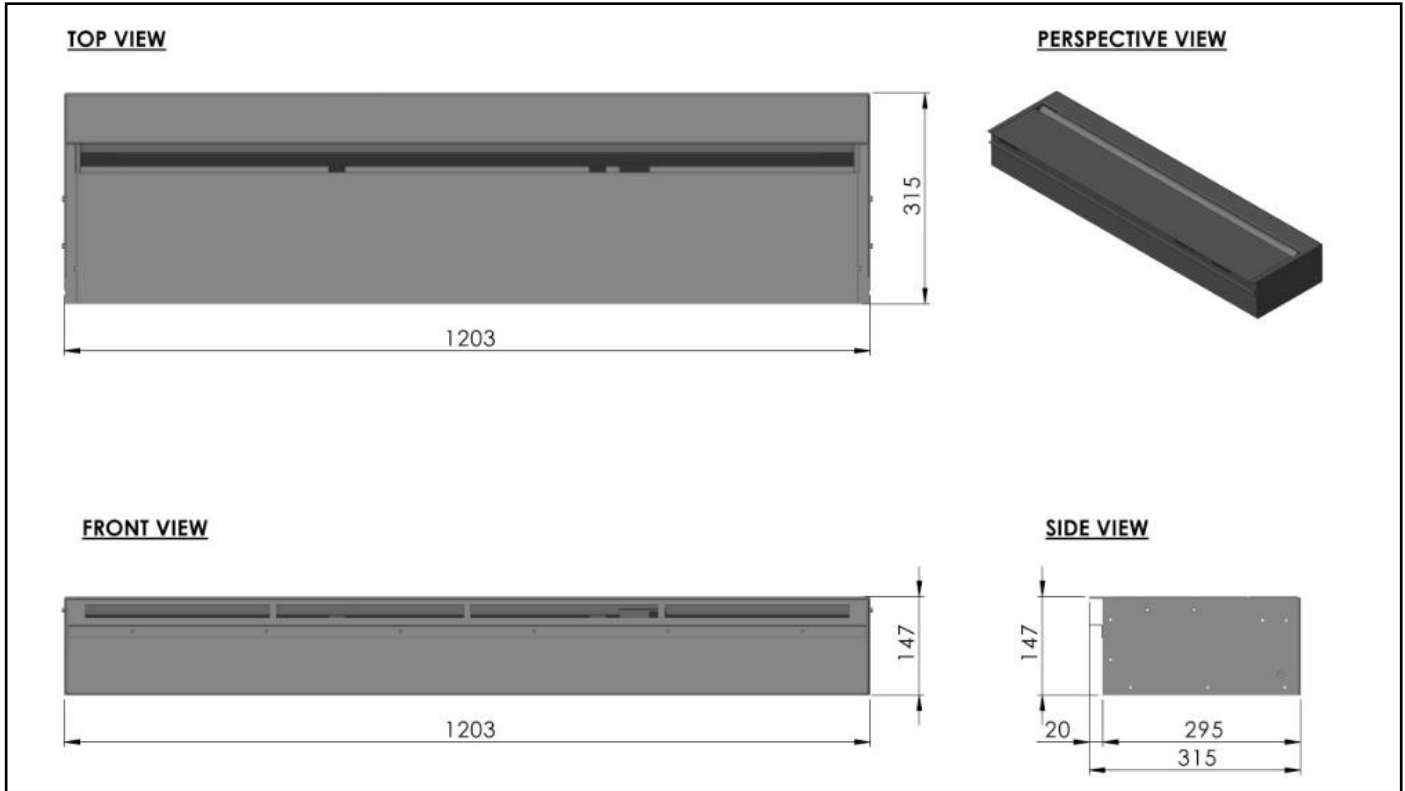
Spirit Fires Ltd, 4 Beaumont Square, Durham Way South, Newton Aycliffe, County Durham, DL5 6XN  
Sales: +44 (0)1325-301020 Office: +44 (0) 1325 327 221 Fax: +(0)1325 327 292 Email: [sales@cvo.co.uk](mailto:sales@cvo.co.uk) Web: [www.cvo.co.uk](http://www.cvo.co.uk)

SHOWROOM: CVO Fires can be seen live in our firevault showroom based in the North East, UK.

Visit [www.firevault.co.uk](http://www.firevault.co.uk) or call 01325-301020 for full contact details, location maps and directions.

**FR1200 Single Sided Burner & Canopy with Steel Shelves**

Index # 135, Rev-3 / 25-Oct-2019



CVO reserve the right to amend and improve the specification sheets without prior notice. If in doubt about any aspect of this specification, please call. The specification is not to be used to install the fireplace. Every fire is supplied with an official install booklet. Spirit Fires Limited own the Spirit, CVO and Firevault Trademarks. Copying and distribution of these specifications is not permitted without the permission of Spirit Fires Ltd. All dimensions include a +/-2mm tolerance.

Spirit Fires Ltd, 4 Beaumont Square, Durham Way South, Newton Aycliffe, County Durham, DL5 6XN  
 Sales: +44 (0)1325-301020 Office: +44 (0) 1325 327 221 Fax: +(0)1325 327 292 Email: [sales@cvo.co.uk](mailto:sales@cvo.co.uk) Web: [www.cvo.co.uk](http://www.cvo.co.uk)

SHOWROOM: CVO Fires can be seen live in our firevault showroom based in the North East, UK.  
 Visit [www.firevault.co.uk](http://www.firevault.co.uk) or call 01325-301020 for full contact details, location maps and directions.