

Cast Slit

Index # 11 - Rev-21 / 22-Sept-2021

DESCRIPTION

The Cast Slit curved gas fire with floating flame is a modern “Hole in the wall” fireplace design with gentle curves creating an impression of a weightless flame, floating, dancing within a black space. The burner uses Ceramat – creating a sparkling flame effect. The enclosure has minimal depth requirement, meaning this fire will fit any home with a chimney. The Cast Slit enclosure is available with either a Satin Black or Brushed Steel Interior or purchase just the gas burner only to use in an existing fireplace.

FASCIA OPTIONS

The standard Cast Slit is “trimless” allowing a letterbox style installation, however a Satin Black or Brushed Steel trim can be added, or a wide range of stone options are available, in a standard or widescreen version, see www.cvo.co.uk or call sales on 01325 301020

UKCA & UKNI APPROVAL

The Cast Slit is UKCA & UKNI approved for the following and is available for the United Kingdom Only.

Natural Gas I2H – G20 – 20mBar

LPG/Propane – I3P – G31 / 37mBar



DIMENSIONS

Overall dimensions of the fire – See drawings on pages 2 and 3

POWER RATING

Natural Gas - Heat Input - High 7kW, Low 4.6kW, Natural Gas – 9p

LPG/Propane - Heat Input – High 7kW, Low 4kW, LPG/Propane – 37p

Approximate running costs per hour on high (subject to your gas supplier tariff):

VENTILATION

As the Cast Slit is a 7kW fire, no additional room ventilation (air vent from outside) is required.

OTHER TECHNICAL INFORMATION

1. The gather is supplied as an optional extra and has been designed to be inserted into the builders opening and then lowered on to the enclosure, hence allowing for a smaller construction opening.
2. The Cast Slit is designed to be used within a single-sided enclosure of the shown dimensions, with a Class 2 chimney or with a flue liner of 127mm diameter and a minimum flue length of 3 metres.
3. If installing the Cast Slit into a Class 1 chimney it is recommended that the CVO Enclosure and Gather are both used to ensure flame activity is stable and to reduce heat loss.
4. Safety – Tested to the latest UKCA & UKNI safety standards. Fitted with ODS (Oxygen Depletion System) safety system which monitors oxygen levels in the room and shuts off the fire should the chimney be blocked. It is advised that when operating the appliance in a room where children or elderly people will be present, that a fireguard should be used.
5. Double-Sided or Bespoke Enclosures are available upon request.
6. The burner is available to purchase as a stand-alone item for installation into an existing and bespoke fireplace design.

CVO reserve the right to amend and improve the specification sheets without prior notice. If in doubt about any aspect of this specification, please call. The specification is not to be used to install the fireplace. Every fire is supplied with an official install booklet. Spirit Fires Limited own the Spirit, CVO and Firevault Trademarks. Copying and distribution of these specifications is not permitted without the permission of Spirit Fires Ltd.

All dimensions include a +/-2mm tolerance.

Spirit Fires Ltd, 4 Beaumont Square, Durham Way South, Newton Aycliffe, County Durham, DL5 6XN

Sales: +44 (0)1325-301020 Office: +44 (0) 1325 327 221 Fax: +(0)1325 327 292 Email: sales@cvo.co.uk Web: www.cvo.co.uk

SHOWROOM: CVO Fires can be seen live in our firevault showroom based in the North East, UK.

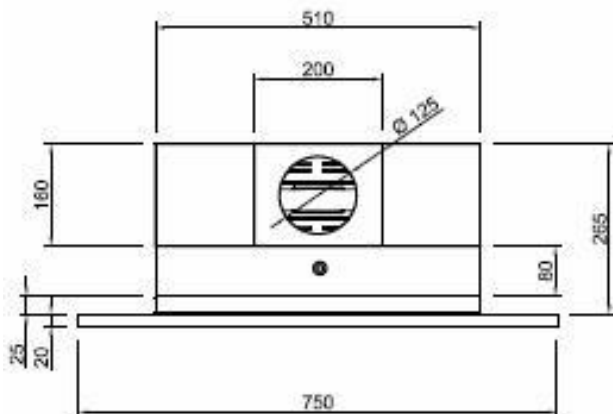
Visit www.firevault.co.uk or call 01325-301020 for full contact details, location maps and directions.

Cast Slit

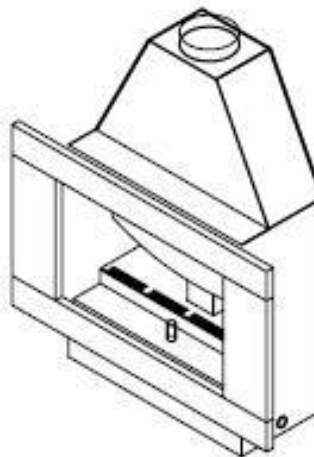
Index # 11 - Rev-21 / 22-Sept-2021

NOTE - The dimensions on this product are for a metal enclosure with a stone fascia.

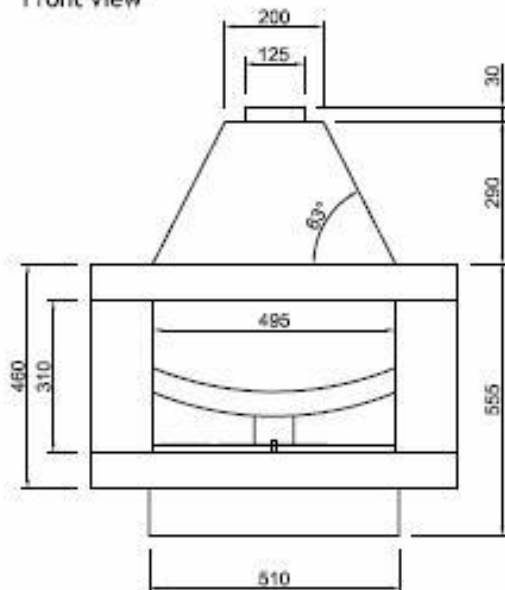
Top view



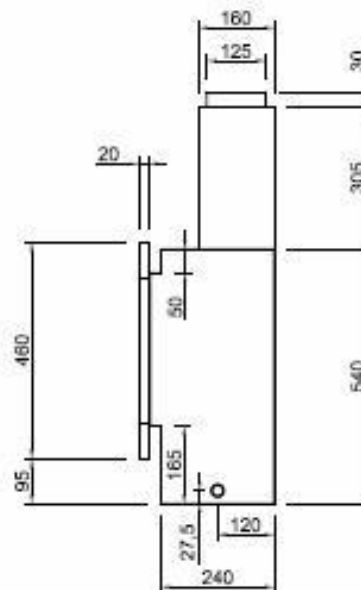
Perspective view



Front view



Side view



For the builders opening please allow 50mm gap around the sides and the back of the unit for adjustments and gas supply.

CVO reserve the right to amend and improve the specification sheets without prior notice. If in doubt about any aspect of this specification, please call. The specification is not to be used to install the fireplace. Every fire is supplied with an official install booklet. Spirit Fires Limited own the Spirit, CVO and Firevault Trademarks. Copying and distribution of these specifications is not permitted without the permission of Spirit Fires Ltd.
All dimensions include a +/-2mm tolerance.

Spirit Fires Ltd, 4 Beaumont Square, Durham Way South, Newton Aycliffe, County Durham, DL5 6XN
Sales: +44 (0)1325-301020 Office: +44 (0) 1325 327 221 Fax: +(0)1325 327 292 Email: sales@cvo.co.uk Web: www.cvo.co.uk

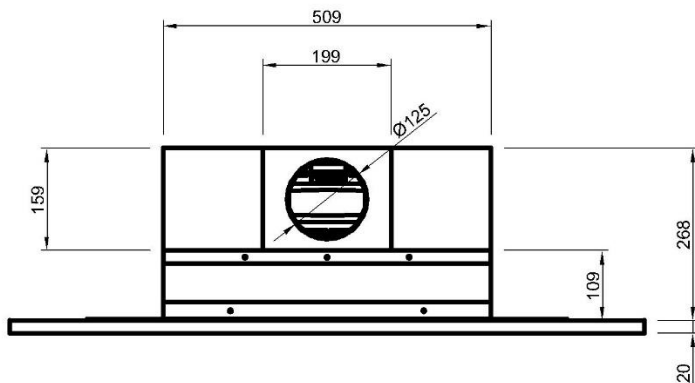
SHOWROOM: CVO Fires can be seen live in our firevault showroom based in the North East, UK.
Visit www.firevault.co.uk or call 01325-301020 for full contact details, location maps and directions.

Cast Slit

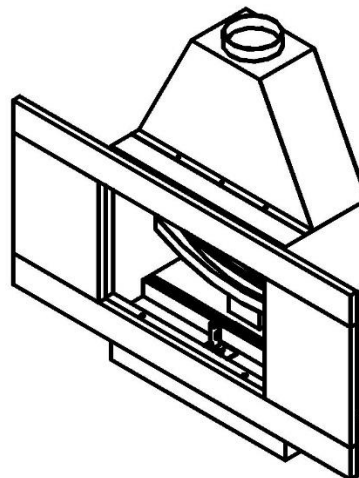
Index # 11 - Rev-21 / 22-Sept-2021

NOTE - The dimensions on this product are for a metal enclosure with a stone fascia.

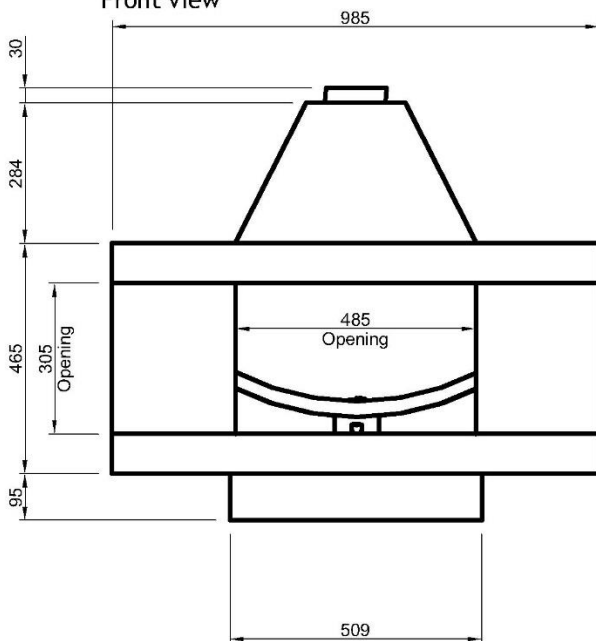
Top view



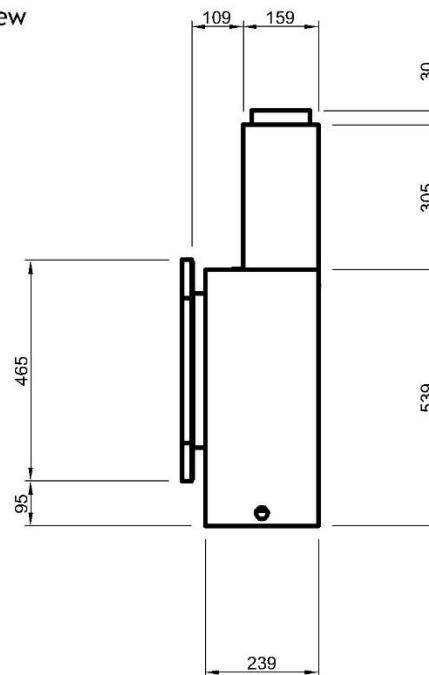
Perspective view



Front view



Side view



For the builders opening please allow 50mm gap around the sides and the back of the unit for adjustments and gas supply.

CVO reserve the right to amend and improve the specification sheets without prior notice. If in doubt about any aspect of this specification, please call. The specification is not to be used to install the fireplace. Every fire is supplied with an official install booklet. Spirit Fires Limited own the Spirit, CVO and Firevault Trademarks. Copying and distribution of these specifications is not permitted without the permission of Spirit Fires Ltd.
All dimensions include a +/-2mm tolerance.

Spirit Fires Ltd, 4 Beaumont Square, Durham Way South, Newton Aycliffe, County Durham, DL5 6XN
Sales: +44 (0)1325-301020 Office: +44 (0) 1325 327 221 Fax: +(0)1325 327 292 Email: sales@cvo.co.uk Web: www.cvo.co.uk

SHOWROOM: CVO Fires can be seen live in our firevault showroom based in the North East, UK.
Visit www.firevault.co.uk or call 01325-301020 for full contact details, location maps and directions.