

## Circular (Large Round) Gas Fire Bowl (& Enclosure)

Index # 10 - Rev-20 / 22-Sept-2021

### DESCRIPTION

This beautifully sculptured gas fire bowl has a voracious flame and is perfect in larger rooms and commercial properties and looks most stunning in a double sided or central fireplace design with a canopy. The round gas fire bowl has an overall diameter of 490mm and can be manufactured from white or black stone or in hand polished bronze or aluminium.

### FIRE BOWL OPTIONS

White Cast Stone, Black Cast Stone, Hand Polished Aluminium or Hand Polished Bronze.

### ENCLOSURE OPTIONS (Single or Double-Sided Options Available)

Satin Black Steel, Brushed Stainless Steel, Limestone, Black Granite or Hand Polished Bronze.

\*the metal enclosure has the option of adding a 4pc stone fascia to it.

### UKCA & UKNI APPROVAL

The Circular Bowl is UKCA & UKNI approved for the following and is available for the United Kingdom Only.

Natural Gas I2H – G20 – 20mBar

LPG/Propane I3P – G31 – 37mBar

### DIMENSIONS

Fire Bowl – Height 195mm x Diameter 490mm

Overall dimensions of the fire and its enclosure – See drawing on page 2.

### POWER RATING & RUNNING COSTS

Natural Gas - Heat Input – High 12.9kW [33p/hour] Flow Rate – 1.6m<sup>3</sup>/hour

LPG/Propane – Heat Input – High 14.3kW [112p/hour] Flow Rate – 0.6m<sup>3</sup>/hour

### VENTILATION

This appliance requires room ventilation from outside.



### OTHER TECHNICAL INFORMATION

1. The fire bowl is available to buy as a separate item.
2. Running costs are the approximate running cost per hour with the fire on high setting.
3. The fire bowl is designed for use with a Class 1 Chimney or Flue Liner of 200mm x 3m minimum length.
4. Manual Control Piezo Ignition System.
5. This is a large and powerful gas fire that uses a high volume of gas, this can cause noise which is unavoidable with an appliance with such a high rating.
6. Metal cast fire bowls are sand cast at a UK foundry and then hand polished for over 15 hours at our Factory. Pitting and air holes are a normal occurrence and are a part of the unique quality of such a handmade piece. All bowls are inspected and given a full quality control check at our factory. Once the bowl is installed it will be seen that the overall beauty and uniqueness of your CVO Fire Bowl outweighs what is a very minor feature of casting.
7. Enclosure – The fire has been UKCA & UKNI approved to work with an enclosure made to the size shown on page 2 with a Class 1 flue. When installing the fire into a non-CVO enclosure the fire must be installed to ensure that it operates safely. CVO cannot accept any responsibility for the suitability of the appliance when installed in other enclosures.
8. The gather is available as an optional extra, it is recommended that the CVO enclosure and gather are both used to ensure flame activity and reduce heat loss.
9. Safety – Tested to the latest UKCA & UKNI safety standards. Fitted with ODS (Oxygen Depletion System) safety system which monitors oxygen levels in the room and shuts off the fire should the chimney be blocked. It is advised that when operating the appliance in a room where children or elderly people will be present, that a fireguard should be used.
10. The CVO metal enclosures are a complete box with or without a flange, the flange will allow the option of bonding a 4pc stone trim to it – please specify when ordering.
11. The CVO stone enclosure is supplied in sections for install into a pre-built chamber.
12. Double-Sided and Bespoke enclosures are available upon request.

CVO reserve the right to amend and improve the specification sheets without prior notice. If in doubt about any aspect of this specification, please call. The specification is not to be used to install the fireplace. Every fire is supplied with an official install booklet. Spirit Fires Limited own the Spirit, CVO and Firevault Trademarks. Copying and distribution of these specifications is not permitted without the permission of Spirit Fires Ltd.

All dimensions include a +/-2mm tolerance.

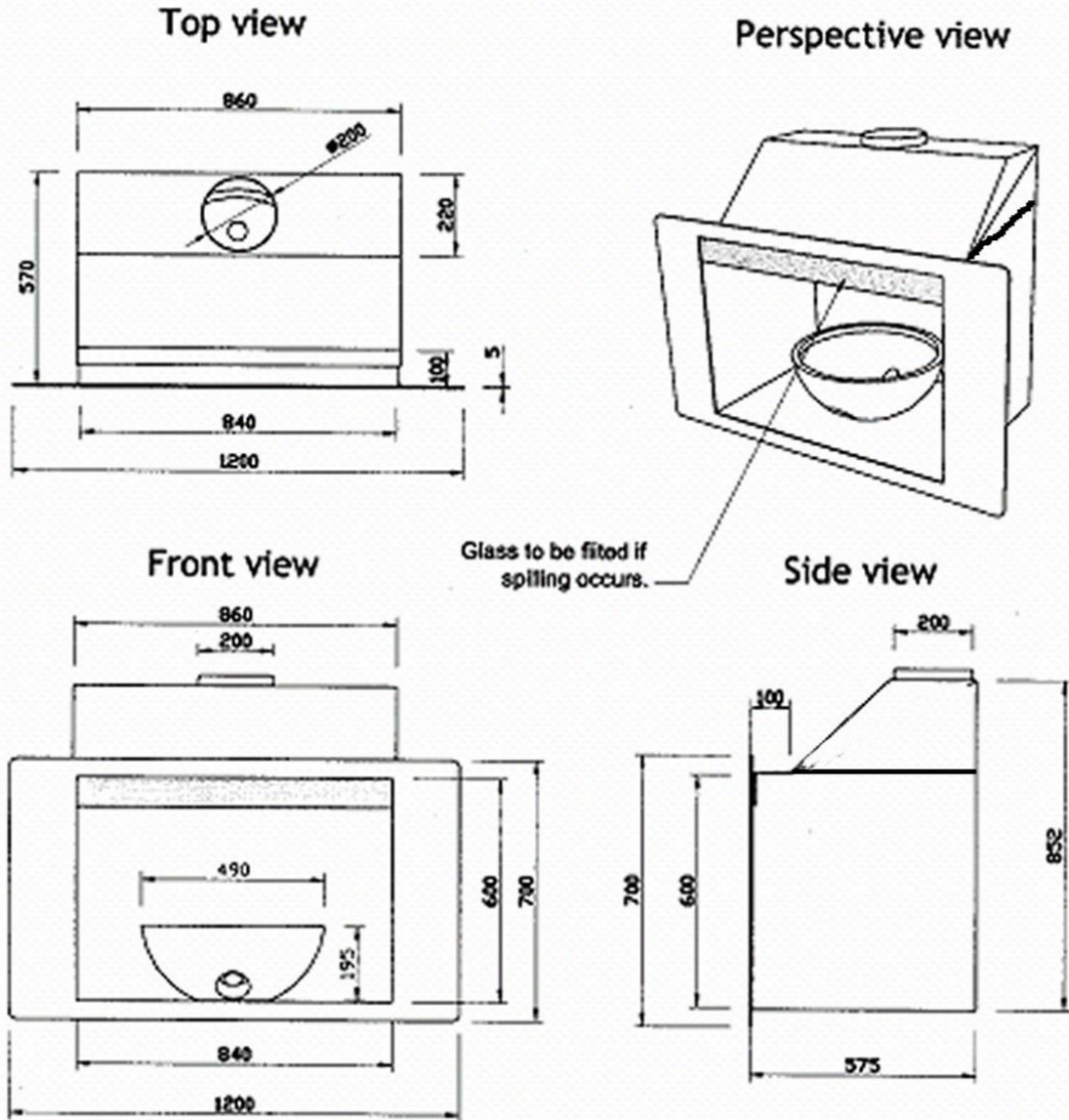
Spirit Fires Ltd, 4 Beaumont Square, Durham Way South, Newton Aycliffe, County Durham, DL5 6XN  
 Sales: +44 (0)1325-301020 Office: +44 (0) 1325 327 221 Fax: +(0)1325 327 292 Email: [sales@cvo.co.uk](mailto:sales@cvo.co.uk) Web: [www.cvo.co.uk](http://www.cvo.co.uk)

SHOWROOM: CVO Fires can be seen live in our firevault showroom based in the North East, UK.  
 Visit [www.firevault.co.uk](http://www.firevault.co.uk) or call 01325-301020 for full contact details, location maps and directions.

Circular (Large Round) Gas Fire Bowl (& Enclosure)

Index # 10 - Rev-20 / 22-Sept-2021

**NOTE - The dimensions on this product are for a metal enclosure.**



**For the builders opening please allow room for adjustments**

CVO reserve the right to amend and improve the specification sheets without prior notice. If in doubt about any aspect of this specification, please call. The specification is not to be used to install the fireplace. Every fire is supplied with an official install booklet. Spirit Fires Limited own the Spirit, CVO and Firevault Trademarks. Copying and distribution of these specifications is not permitted without the permission of Spirit Fires Ltd. All dimensions include a +/-2mm tolerance.

Spirit Fires Ltd, 4 Beaumont Square, Durham Way South, Newton Aycliffe, County Durham, DL5 6XN  
 Sales: +44 (0)1325-301020 Office: +44 (0) 1325 327 221 Fax: +(0)1325 327 292 Email: [sales@cvo.co.uk](mailto:sales@cvo.co.uk) Web: [www.cvo.co.uk](http://www.cvo.co.uk)

SHOWROOM: CVO Fires can be seen live in our firevault showroom based in the North East, UK.  
 Visit [www.firevault.co.uk](http://www.firevault.co.uk) or call 01325-301020 for full contact details, location maps and directions.