

Kokoto – High Efficiency Glass Fronted Gas Fire

Index # 101, Rev-4 / 16-Aug-2019

DESCRIPTION

A High Efficiency, Glass Fronted Fireplace with a Matt Black Interior and a Pebble Fire Basket which sits on a bed of lava stones.

FASCIA OPTIONS

Satin Black Steel or Brushed Steel

CE APPROVAL

The Kokoto is CE approved for I2H – G20 / 20mBar and is available for all European Countries using this gas type.

POWER RATING

Natural Gas Only – Heat Input 3.1kW,
Heat Output 2.5kW
Running cost 14p/hour, Flow Rate
0.4m³/hour



DIMENSIONS

Overall dimensions of Kokoto Fascia – Height 596mm x Width 960mm x Depth 10mm

Opening dimensions – Height 379mm x Width 592mm

Overall dimensions of the fire – See drawings on page 2

OTHER TECHNICAL INFORMATION

1. Efficiency Rating – 79%, Efficiency Class 1, NOx Class 5
2. Manual Ignition – The control is hidden behind the fascia (on the right-hand side).
3. ODS (Oxygen Depletion System) – to monitor oxygen levels in the room (gas only)
4. Installation & Opening Requirements

The fire is supplied as a steel cartridge and is designed to be installed within a fireplace opening or cavity which is built inline with current regulations. See installation booklet.

The fire must be sealed to the fireplace opening.

The fireplace cavity size is: 650mm x 520mm with a minimum depth of 236mm.

The depth of the enclosure is 201mm from the finished wall to the back of the enclosure. There is an additional 53mm which floats out from the wall; This is to allow convection of air and to increase the efficiency of the appliance.

The fascia must not be installed flush with the wall.

There is an option to purchase a flue box/enclosure with spigot; Please ask for details.

5. Chimney – Suitable for chimneys and flue systems with a minimum of 125mm x 3m length. The fire can be installed in a brick-built chimney however a gap must be provided for debris. Brick chimneys will require sweeping and testing prior to installation.
6. No additional room ventilation is required
7. This is a glass fronted appliance and the glass becomes very hot during operation. It is advised to mount the fire at a height away from children. It is also advised that when operating the appliance in a room that a fireguard for the protection of children and the elderly should be used.
8. For instructions and guidance on fitting a shelf above the fire please see page 3

CVO reserve the right to amend and improve the specification sheets without prior notice. If in doubt about any aspect of this specification, please call. The specification is not to be used to install the fireplace. Every fire is supplied with an official install booklet. Spirit Fires Limited own the Spirit, CVO and Firevault Trademarks. Copying and distribution of these specifications is not permitted without the permission of Spirit Fires Ltd.

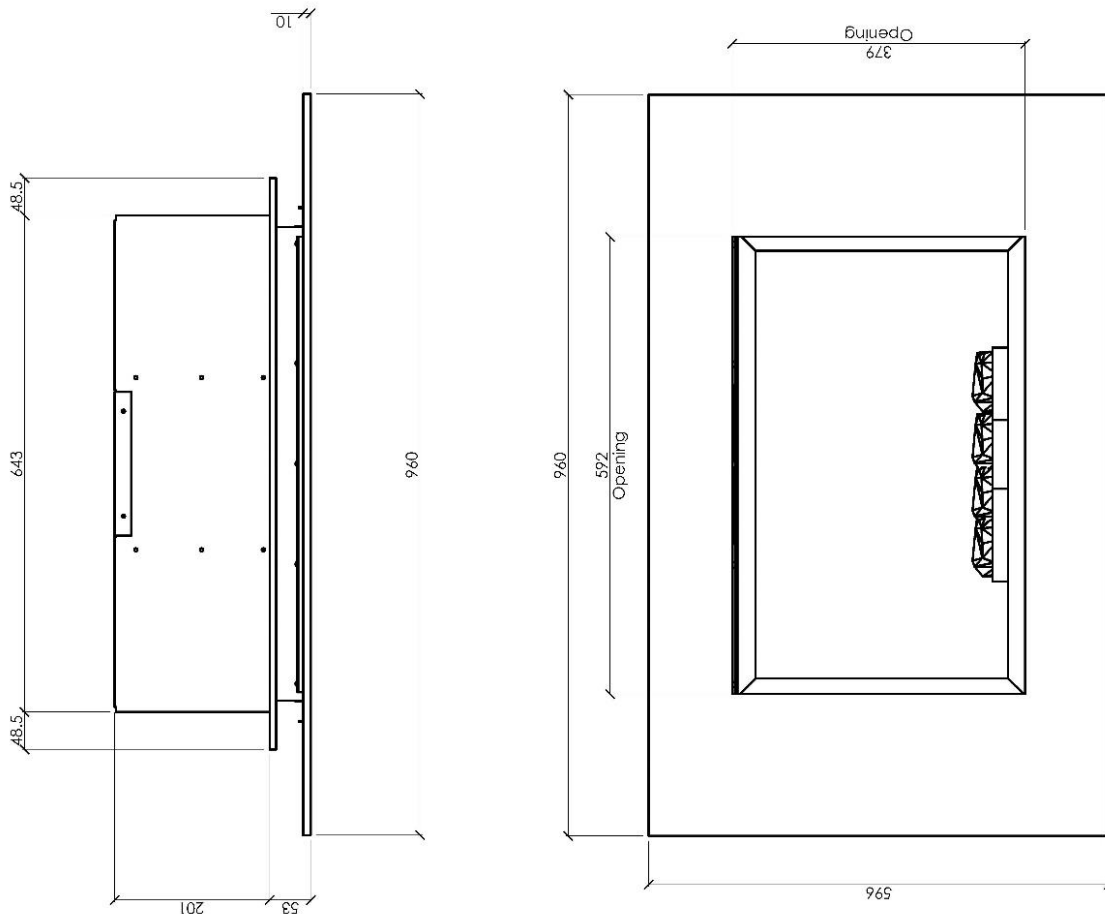
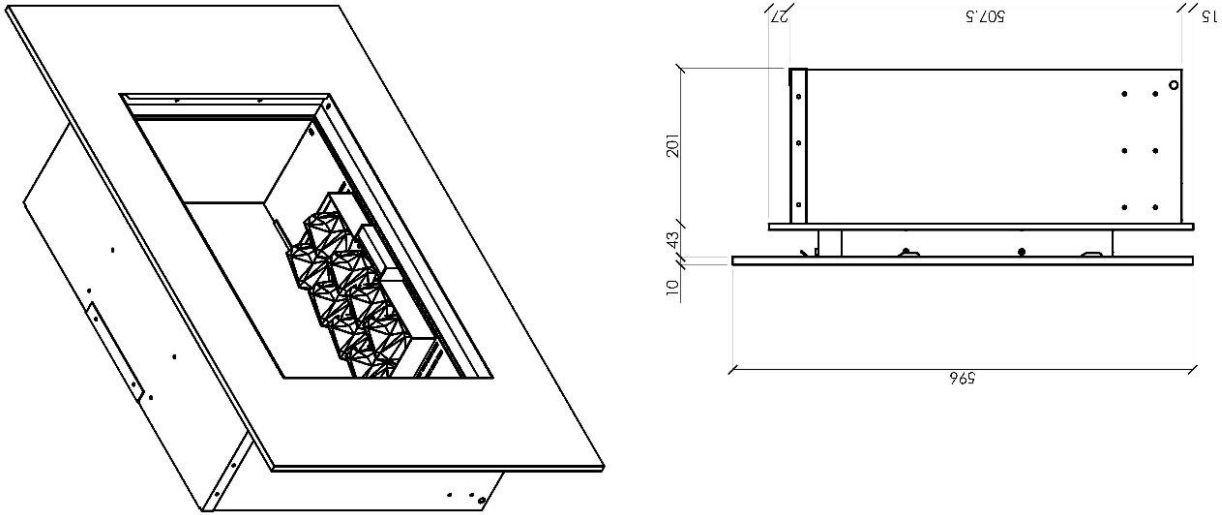
All dimensions include a +/-2mm tolerance.

Spirit Fires Ltd, 4 Beaumont Square, Durham Way South, Newton Aycliffe, County Durham, DL5 6XN
Sales: +44 (0)1325-301020 Office: +44 (0) 1325 327 221 Fax: +(0)1325 327 292 Email: sales@cvo.co.uk Web: www.cvo.co.uk

SHOWROOM: CVO Fires can be seen live in our firevault showroom based in the North East, UK.
Visit www.firevault.co.uk or call 01325-301020 for full contact details, location maps and directions.

Kokoto – High Efficiency Glass Fronted Gas Fire

Index # 101, Rev-4 / 16-Aug-2019



All dimensions include a +/-2mm tolerance.

CVO
call. T
(

ease
Spirit,
l.

Spirit Fires Ltd, 4 Beaumont Square, Durham Way South, Newton Aycliffe, County Durham, DL5 6XN
Sales: +44 (0)1325-301020 Office: +44 (0) 1325 327 221 Fax: +(0)1325 327 292 Email: sales@cvo.co.uk Web: www.cvo.co.uk

SHOWROOM: CVO Fires can be seen live in our firevault showroom based in the North East, UK.
Visit www.firevault.co.uk or call 01325-301020 for full contact details, location maps and directions.

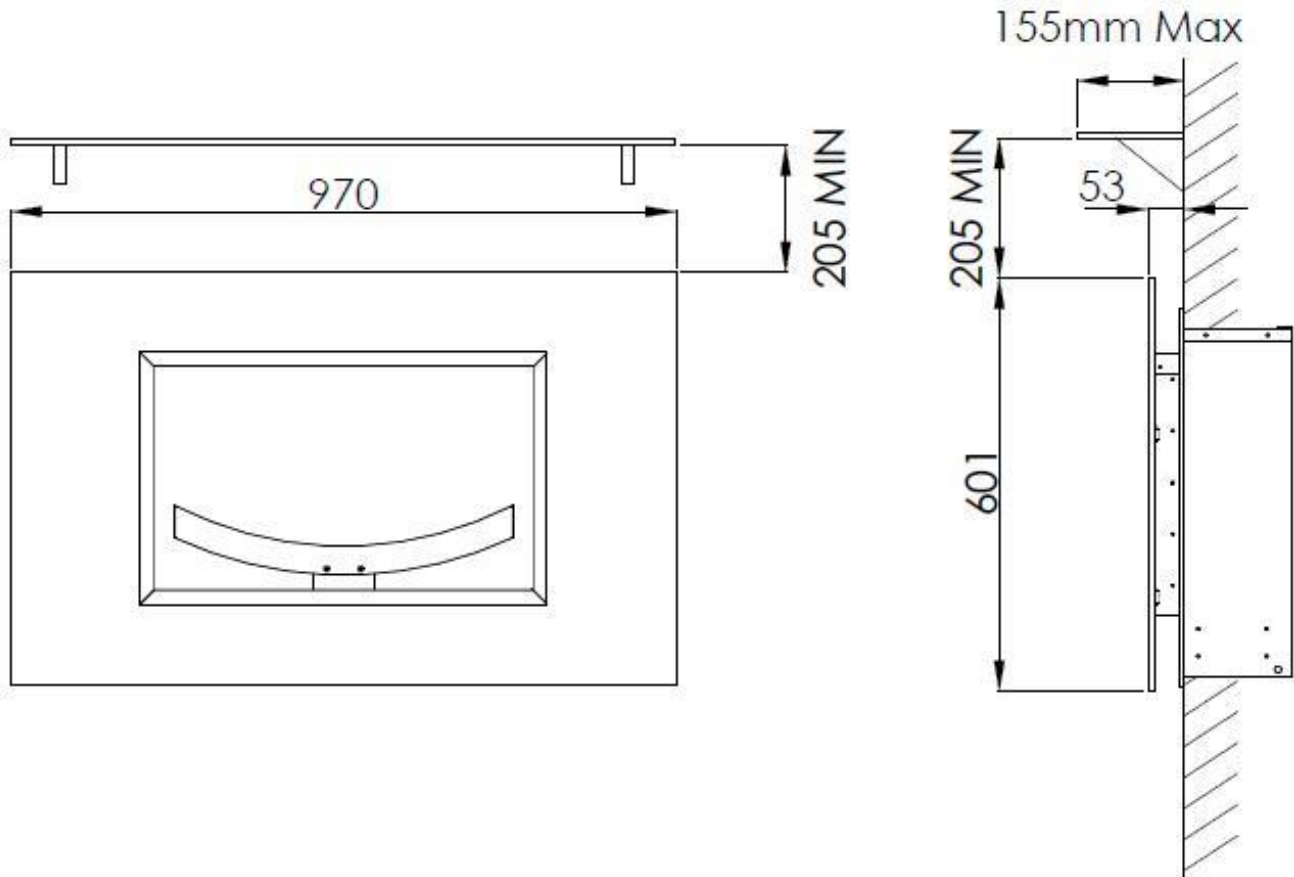
Kokoto – High Efficiency Glass Fronted Gas Fire

Index # 101, Rev-4 / 16-Aug-2019

FITTING A SHELF ABOVE THE FIRE

- The shelf must be made of non-combustible material.
- The shelf must be positioned 205mm (or greater) above the top edge of the fascia (not the fire body).
- The shelf must protrude out of the wall a maximum of 155mm.
- The shelf should be 960mm (or wider).

Please see drawing below for reference



If fitting a TV above the shelf it is advised that heat tests are done to check the transmission of heat above the shelf before deciding if the TV should be wall mounted or recessed. CVO accepts no responsibility for damage caused by installing a TV above the fireplace or shelf, this work is done at the owner's risk.

CVO reserve the right to amend and improve the specification sheets without prior notice. If in doubt about any aspect of this specification, please call. The specification is not to be used to install the fireplace. Every fire is supplied with an official install booklet. Spirit Fires Limited own the Spirit, CVO and Firevault Trademarks. Copying and distribution of these specifications is not permitted without the permission of Spirit Fires Ltd. All dimensions include a +/-2mm tolerance.

Spirit Fires Ltd, 4 Beaumont Square, Durham Way South, Newton Aycliffe, County Durham, DL5 6XN
 Sales: +44 (0)1325-301020 Office: +44 (0) 1325 327 221 Fax: +(0)1325 327 292 Email: sales@cvo.co.uk Web: www.cvo.co.uk

SHOWROOM: CVO Fires can be seen live in our firevault showroom based in the North East, UK.
 Visit www.firevault.co.uk or call 01325-301020 for full contact details, location maps and directions.