

WALLBEDS®



Australia

Reclaim Your Space



Safety Advice Sheet PLEASE READ BEFORE YOU BEGIN:

- Please read and understand the instructions before assembly.
- Incorrect installation of this product could result in personal injury or physical damage.
- WallBeds Australia recommends that eye protection is worn when
- assembling the product.
- WallBeds Australia recommends two people to assemble and install the wall bed safely - It is not recommended you try to assemble this wall bed on your own.
- The wall bed **MUST** be securely fastened to the wall. Failure to do so will cause the wall bed to tip over & may cause damage to the cabinet or serious personal injury.
- While these products are DIY, it is recommended a qualified tradesperson installs the wall bed if you are not comfortable with the installation of this product.

WallBeds Australia is not responsible for any damages or injuries incurred by the incorrect installation of this product.



Alpha Bed Cabinetry Flat Pack Assembly Instructions

Universal Alpha Bed frame which can be mounted in either vertical or horizontally.

A lightweight, universal structural steel bed frame with double overlap steel stiffeners completed with a fold-away leg system.

The frame is designed to exceed the strength of wood or aluminium. The Alpha frame may be used in residential and commercial applications.

Designed to Exceed International ISO 9002
Standards for residential specifications

SAFETY WARNING

WallBeds are designed to be operated by adults. Use by children may result in injuries to the child or damage to the wall bed if they are unable to control the opening or closing of the mechanism adequately. Warranties do not cover injuries or damage under these circumstances.

While wall beds meet Australian Standards, adult use and supervision of the wall bed is required at all times.

Alpha Bed Project Start-Up

Steps to Complete Project

- Carefully unpack all cabinetry from the transportation crate.
- Prepare all cabinet components by inserting either Cam Locks or CamPins.
- Install springs in Spring Lift Mechanisms as per spring application chart. – **NOTE** -The SBLM comes with four springs preloaded per spring arm. This amount **MAY NOT** be the correct amount for your wall bed size or orientation. Ensure you check page 9 of this manual for the proper amount of springs.
- Assemble the Bed Cabinet.
- Attach the Spring Lift Mechanism to 2 x bedside panels.
- Attach Bed Cabinet to the wall.
- Assemble Steel Bed Frame
- Attach Steel Frame to the bed Face / Base Panels.
- Install the Face / Base Panel in Cabinet.
- Install Handles, Leg Assembly, Mechanism Covers, Mattress
- Items needed to complete your assembly and installation.

Hint - Do not remove any parts identification stickers from the cabinetry panels until the units have been built, as these will assist with assembly. Generally, these stickers are placed on the "back" or side of the cabinet that will not be seen once assembled.

To remove the stickers - carefully heat up with a hair dryer, to remove any sticky residue use Wax and Grease Remover. Avoid using razor blades as you may damage the cabinetry.

YouTube tutorials are available from *Murphy Bed wall bed systems for the spring and frame assembly. Any cabinetry shown in these clips DO NOT relate to WallBeds Australia Cabinetry assembly.

These clips are a visual guide on how to assemble and install the spring lift and steel frame component of the wall bed which is universal worldwide.

Alpha Bed Carton Contents

Each Steel Frame Carton contains one Single, Double, Queen or King Steel Bed Frame complete with leg assembly, PS-1 Panel Savers and necessary hardware. SBLM Mechanism components are in separate carton.

Note: If you are making a Horizontal Bed, you will require a longer Leg Connector Rod from your supplier.

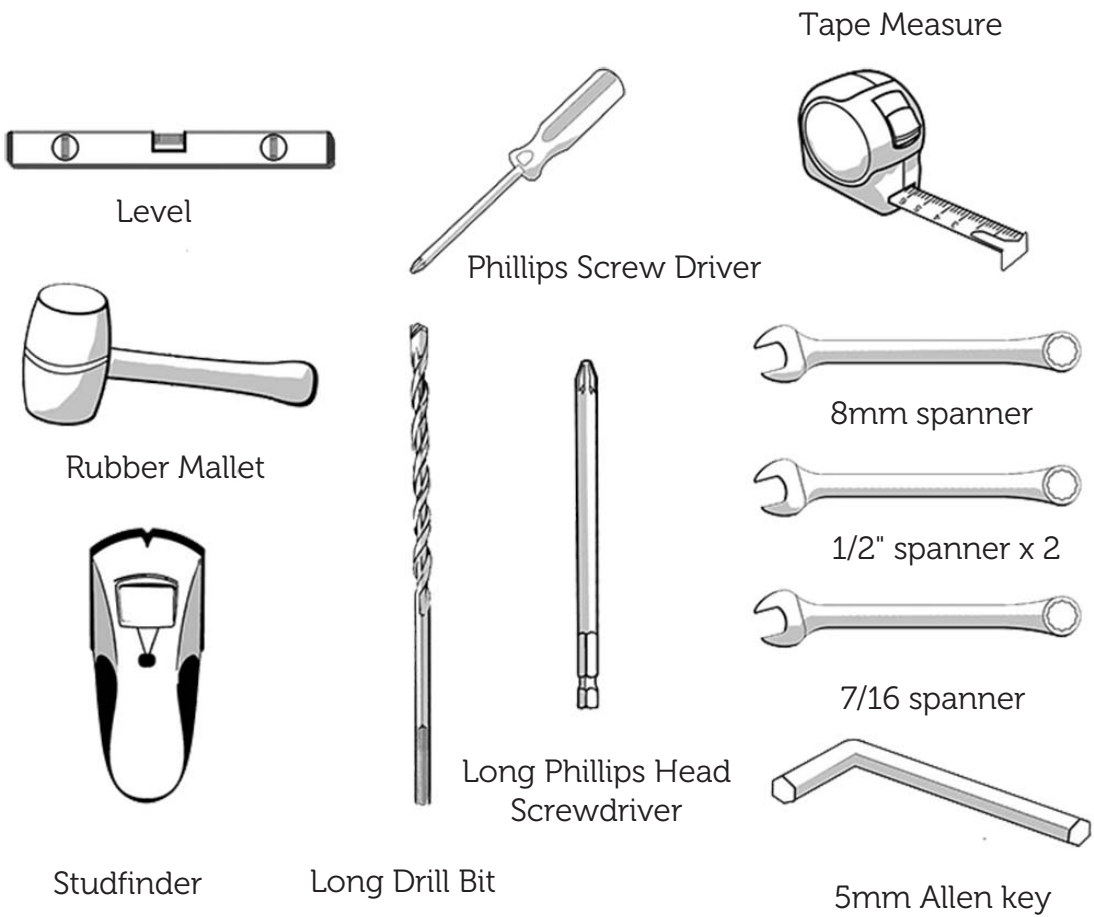
Qty.	Steel Frame Carton Items	Comments	✓
2	Frame End Sections	Identical Head & Foot	<input type="checkbox"/>
2	Frame Side Sections	Identical, Right or Left	<input type="checkbox"/>
3(5)	Stiffeners - Bed Face (King Size)	Space evenly between Frame Sides	<input type="checkbox"/>
2	Fold-away Legs	One Left - One Right	<input type="checkbox"/>
1	Leg Connector Rod	Stabilizes and Eases Leg Operation	<input type="checkbox"/>
Hardware Card #3			
14	Bolt 10-24x1/2" (M6x12mm) Black	Bolt Frame corners	<input type="checkbox"/>
2	Bolt 10-24x1 1/4" (M6 x 32mm) Black	Bolt Leg Stop Foot corners	<input type="checkbox"/>
16	Nut 10-24 (M6) Nylock	Use with M6x12mm & 32mm	<input type="checkbox"/>
4	Angle 1"x1"x1 3/4" (25x25x44mm) Black	Use inside Frame corners	<input type="checkbox"/>
2	1/2"x3/4" (13x19mm) Round Black Cylinder	Use with #1213 as Leg Stop	<input type="checkbox"/>
Hardware Card #4			
2	1 1/2"x5/16" (T1.5x40mm) Black Washer	Secure Leg inside Frame	<input type="checkbox"/>
2	1 1/2"x.765" (T2.5x40mm) Black Washer	Secure Leg inside Frame	<input type="checkbox"/>
2	1 1/2"x.765" (T2.5x40mm) Black Nylon Washer	Between Leg & outside of Frame	<input type="checkbox"/>
2	Nut 5/16" (M8) Black Nylock	Secure Leg inside Frame	<input type="checkbox"/>
2	Bolt 1/4"-20 Black Hex Head	Attach Leg to Leg Rod	<input type="checkbox"/>
2	Star Washer for #1210	Attach Leg to Leg Rod	<input type="checkbox"/>
Hardware Card #5			
1	Nylon Web Strap with Buckle	Secure Mattress to Bed	<input type="checkbox"/>
2	3/4"x1/4" (T1.5x25mm) Washer	Secure Mattress Strap to Frame and Bed	<input type="checkbox"/>
2	#8x5/8" (M4x15mm) Wood Screw	/Face Panel under Mattress	<input type="checkbox"/>
Hardware Card #7 – DO NOT USE SEE ATTACHING FACE / BASE INSTRUCTIONS			
110	#8x5/8" (M4x15mm) Wood Screw	Attach Steel Bed Frame to Bed Face	<input type="checkbox"/>

Qty.	SBLM Mechanism Carton Items	Comments	
2	Spring Plate Covers	Cover Springs	
1	Lift Mechanism - Right Side	Attach to Right Side Panel	<input type="checkbox"/>
1	Lift Mechanism - Left Side #1	Attach to Left Side Panel	<input type="checkbox"/>
1	Bags containing 9 Springs	Install correct number in each Mechanism	<input type="checkbox"/>
1	13" Pipe	Used to set the Lift Mechanisms	<input type="checkbox"/>
Hardware Card #2 – IMPORTANT SEE ASSEMBLING CABINET INSTRUCTIONS			
10	Cone Allen Bolts 5/16-18 x 1 1/4 (32mm)	To attach Lift Mechanisms to Side Panels	<input type="checkbox"/>
4	Hex Head Bolt 5/16-18 x 1"	Attach Mechanism to Frame Side section	<input type="checkbox"/>
2	Round Allen Head Bolt 5/16-18 x 1"	Position Mechanism Arm on Frame Side section	<input type="checkbox"/>
16	Hex Head Nylock Nut	Secure Bolts and Screws	<input type="checkbox"/>
1	Allen Wrench 5/16"	For Allen Head bolts	<input type="checkbox"/>
2	Black Wood Screws	For Attaching Spring Plate Covers	<input type="checkbox"/>

Tools Required List






Listed below are the tools that will be required to assemble your wall bed.

The long drill bit and long Phillips head bit should be a minimum of 130mm in length. These are used for the fixing screws when attaching the steel frame to the wall bed door panels.



WallBeds Australia Hardware and Panel List

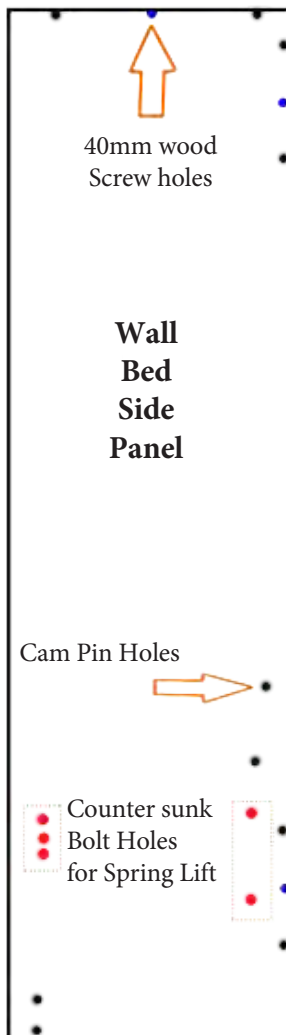
Hardware Parts

Cam Lock 	Cam Pin 	Dome Head Screw 	"L" Wall Bracket 	8g 40mm Screws 
---	--	--	---	--

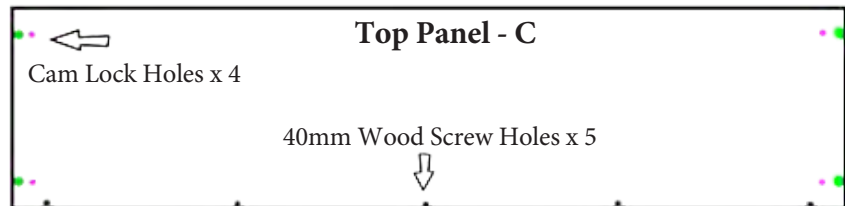
10g 50mm Wall Fixing Screw 	Handle Screw 	25mm Cone Allen Bolt 	Handle 
---	---	--	---

Wall Bed Panel List

2 x Side Panel - A



Top - C

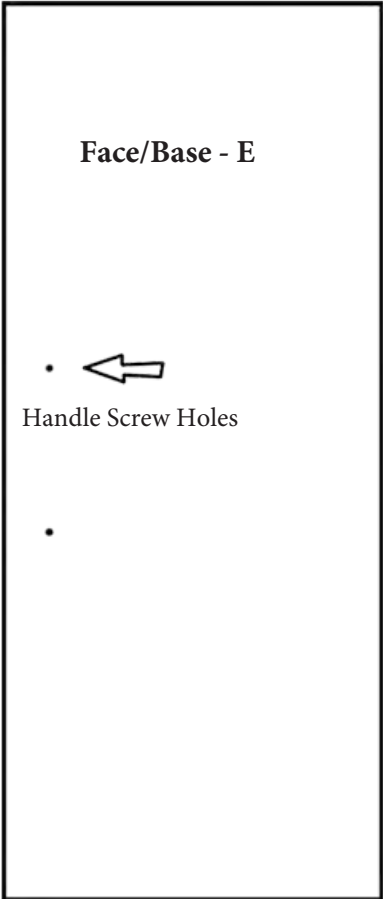


Top Back - D



Wall Bed Panel List

Face/Base - E



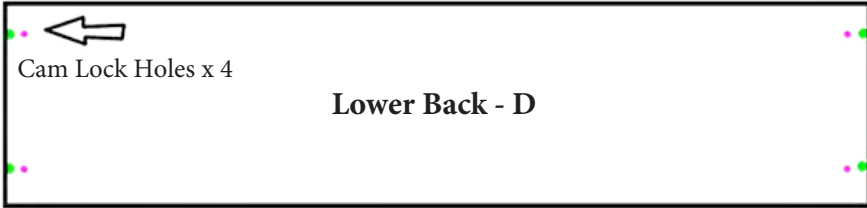
Kick - B



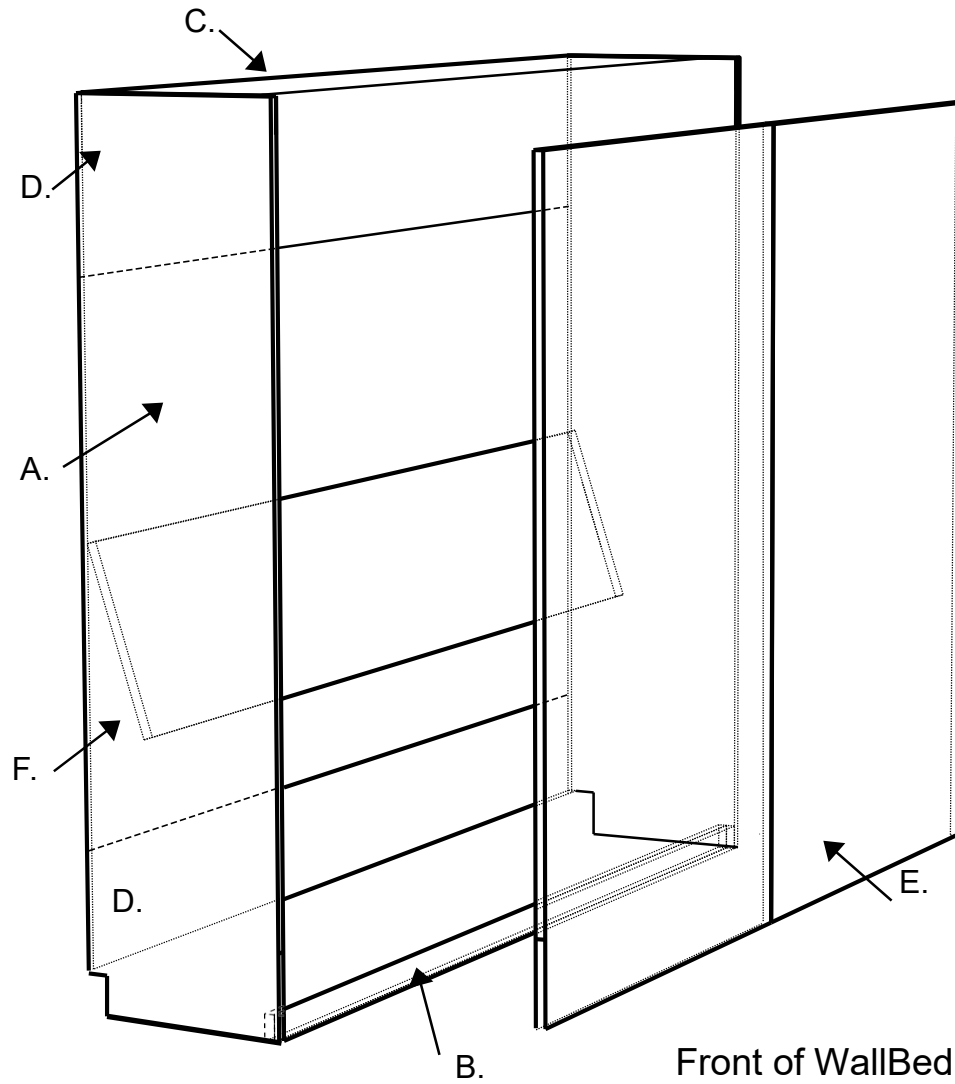
Head Board - F



Lower Back - D



Alpha Wall Bed Cabinet Components



Drawing 1

Cabinet Components Description

- E. Face/Base Panels
- A. Side Panels
- C. Top Panel
- D. Back Panels
- B. Kick
- F. Head Boar

Spring Application Chart

Note: Horizontal Bed - One less spring per side is required as per the chart below.
 Studio Desk- One additional spring per side is required as per the chart below.

VERTICAL BED SIZE	BED PANEL MATERIAL	
	MDF Board	Particle Board
Single	4 springs per side	3 springs per side
Double	6 springs per side	5 springs per side
Queen	7 springs per side	6 springs per side
King	8- 9 springs per side	8 springs per side

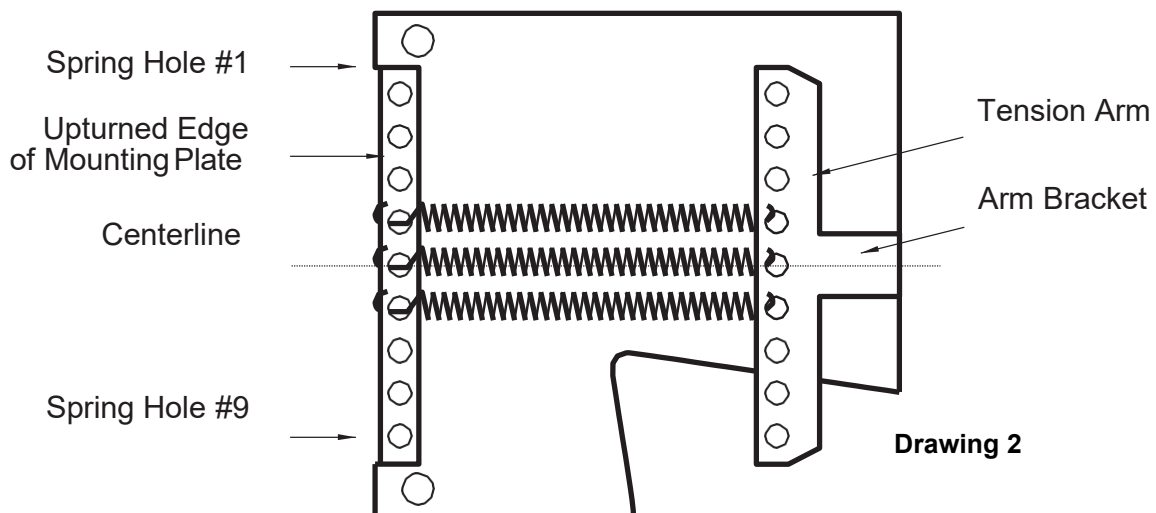
The Spring Guide is based on the following mattress weight;
Single- 24kg Double- 38kg Queen- 41kg King- 47kg After you have completed installing and checked the operation of your bed, you may find it necessary to add or remove springs to achieve the correct lift effort.

There are nine locations for springs. If the bed requires an even number of springs, do not use the centre hole (#5 from the top). If the bed requires an odd number of springs, start with the centre hole (#5 from the top)

TIP: For ease of attaching springs, start by unhooking any factory pre-loaded springs. *By doing this, you will find the Tension Arm moves more freely.* Start by adding springs towards the top of the Tension Arm (Hole #1) Then add springs to lower section of the Tension Arm (Hole#9)

Hook the springs, so the open ends are facing outward. You may have to pry up the tension arm and slide the spring under and snap them into place in the proper hole.

Ensure you match the same numbered hole from the top on the opposite plate. You should have an equal number of springs on each side of the centre hole. Use the same number of springs and the same layout on both the left and right mechanisms.



Assembling the Wall Bed Cabinet

For easier final wall mount you should assemble bed cabinet in the room where it will be used.

Step 1 – Springs

- Fit the correct amount of springs to both spring lift mechanisms as per the Spring Application Guide. *Refer Page 9 Drawing 2*

Step 2 - Hardware

- Locate & insert all Cam locks and Cam pins into the pre-drilled locations on all the cabinet panels - *See cabinetry parts page 6 , 7*

Step 3 – Cabinet Assembly

- **Important** - When attaching all the cabinetry panels ensure that all cam locks are facing up (*or the outside of the cabinet ceiling or wall*). Cam Locks should not be seen once the cabinet has been assembled and stood upright. *It is recommended you use a hand Phillips screwdriver to tighten the cam locks to the cam pins, not a power tool.*
- With the edge tape of the Side Panels facing to the ground and the Spring Lift Mechanism Countersunk holes facing to the outside of the cabinet. Attach the 2 x Side Panels - A - to the Top Panel- C -by placing the Cam Locks over the cam pins & then tighten the Cam
- Top Back Panel - D– Attach to the Side Panels - A - then tighten the Cam locks
- Headboard -F Attach to the side panels. Start with the cam lock that is closest to the bottom edge of the headboard placed over the cam pin that is furthest from the back edge of the side panel. The headboard should be on an angle with the top edge of the headboard almost flush with the back of the side panels.
- Kick panel - B – Attach to the Side Panels then tighten the Cam locks.
- Lower Back Panel - D – Attach to the Side Panels - A - then tighten the Cam locks
- Ensure the back edges of the Top panel - C - and the Top Back - D - are aligned and then insert the 40mm wood screws through the pre-drilled holes that are in the Top Panel -C *Refer Cabinetry Parts page 6*
- Using the 40mm wood screws, secure the Top Panel and Back Panels through the pre-drilled holes not previously used for the cam pins in the Side Panels – A-. *Refer End Panel - A- on the Wall Bed Panel list.*

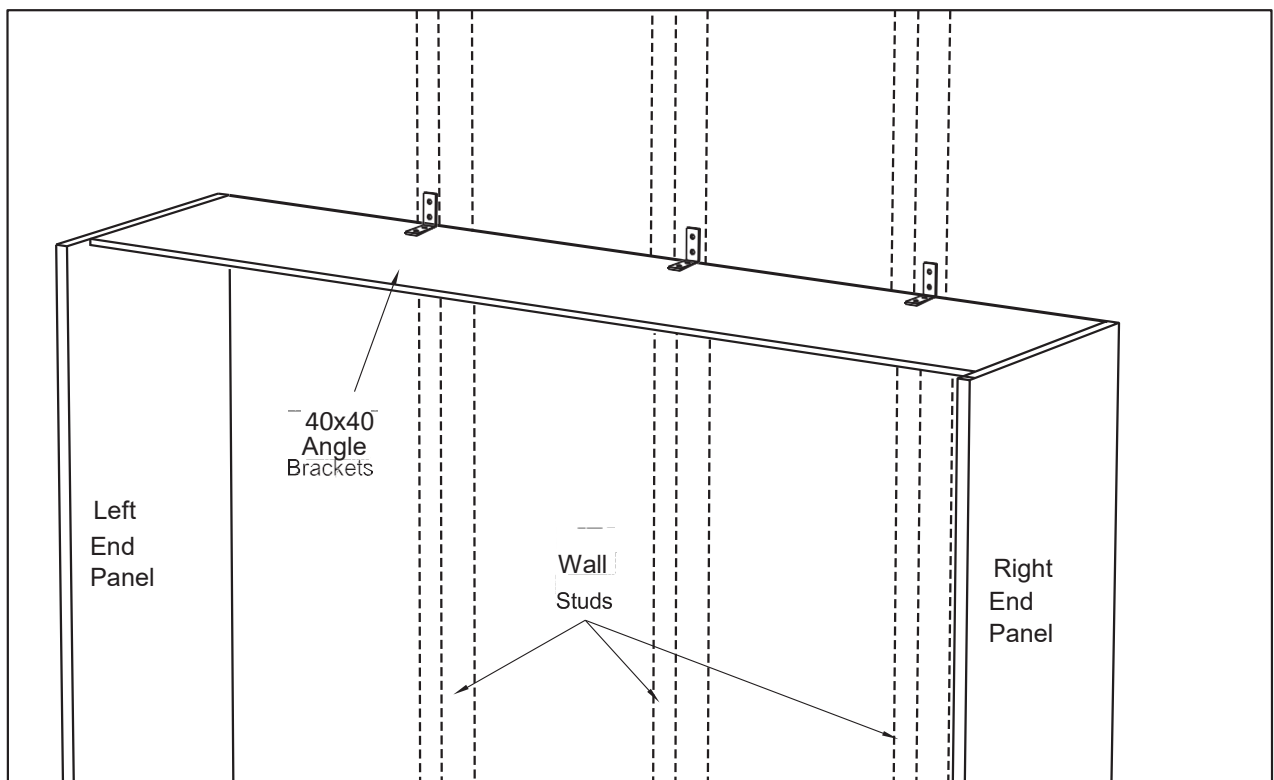
Step 4 – Attaching the Spring Lift Mechanism

- After the cabinet has been assembled and all 40mm wood screws have been inserted, stand the cabinet upright and place against the wall.
- **In the front three countersunk holes use the 25mm Cone Allen Head bolts supplied in the supplementary hardware bag.** Failure to do this will result in the Tension Arm not loading correctly when that step is reached.
- **DO NOT** use the 30mm manufacturer supplied bolts from Card #2 in these front three countersunk holes. These 30mm bolts are to be used for the back two countersunk holes only.
- Tighten all of the countersunk bolts using the Nylock nuts (16) supplied in hardware card #2. Note - The top two countersunk bolts will not require the Nylock Nuts.

Attaching Wall Bed Cabinet to your wall

Alert: If the wall is not a wood stud wall, then you will need to use metal stud screws, toggle bolts or concrete expansion bolts as necessary. **THESE ARE NOT SUPPLIED.** Only fixings suitable for a timber stud are supplied.

- The cabinet **must be secured to wall studs or other wall structural members** using 40mm x 40mm L-Brackets & the 65mm timber stud fixing screws or suitable replacements if not a timber stud.
- Placing the cabinet against the wall. Locate 3 studs or other wall frame members at the level of the Top panel. *Refer to Drawing 3*
- Using a spirit level ensure the cabinet is level. You may need to use "packers" to achieve the cabinet being level.
- Measure diagonally to be sure the cabinet is square. The wall bed will not operate correctly if the cabinet is not square.
- Once the cabinet is square and level, use one 65mm wood screws in each of three "L" brackets to attach to studs. Then use the Dome Head Screw to attach the "L" bracket to the Top Panel (C)
- Re-check the wall bed cabinet is square and level and then secure "L"-Brackets to the Top panel (C) of the wall bed by using the Dome Head wood screws.



Drawing 3

Alpha Bed Steel Frame Assembly

The Alpha Frame is adaptable as vertical or horizontal bed. A leg extension bar is required for a horizontal bed.

Hardware Card #3 is used for Steel Frame Assembly

FRAME ASSEMBLY

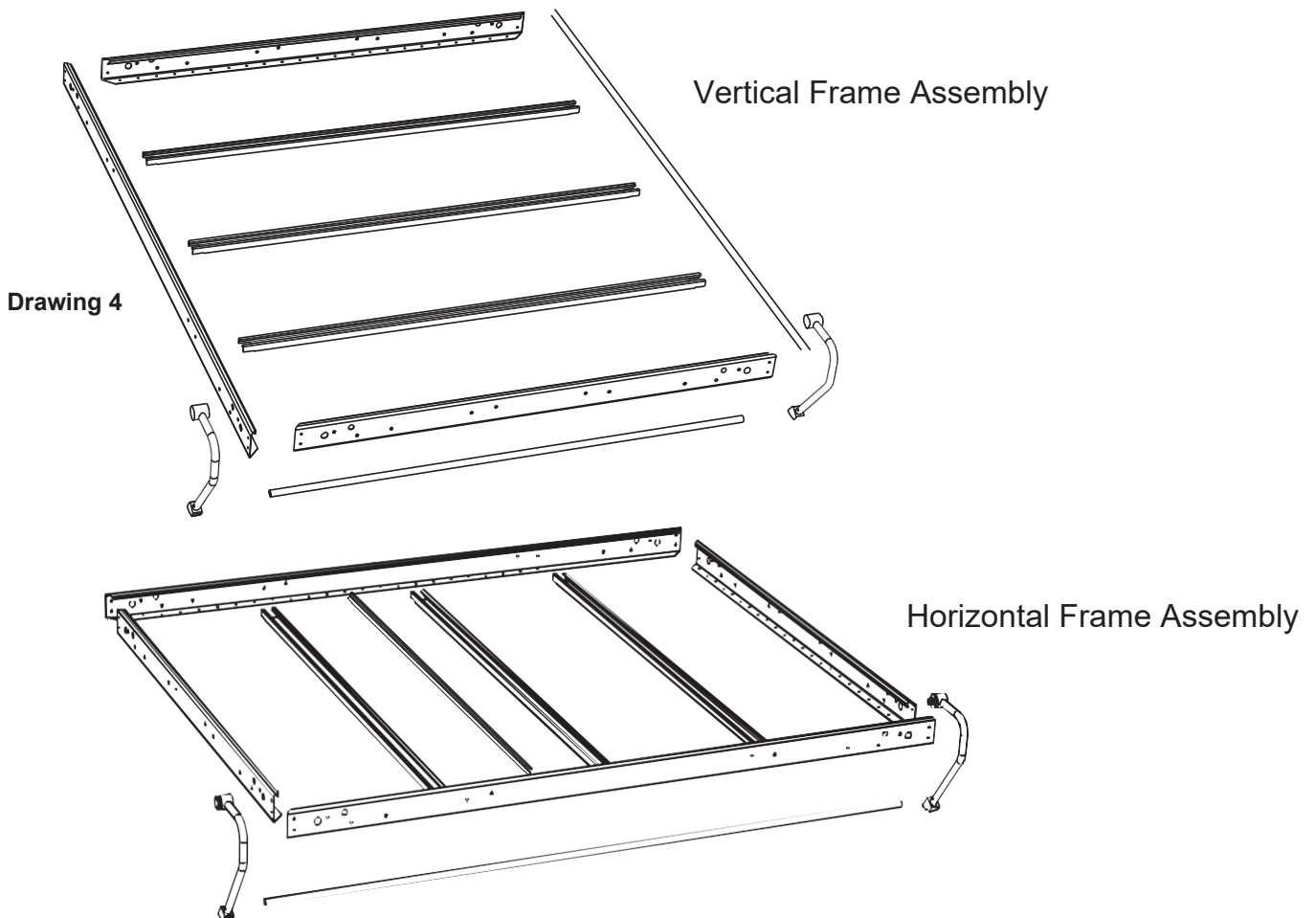
- Using the four small corner brackets and 14 of the M6x12mm bolts and M6 Nylock Nuts completely assemble the Steel Bed Frame by joining the four rails together.

LEG STOP

- Using the 2 x M6x32mm bolts plus M6 Nylock Nut along with the 2 x 1/2" x 3/4" Round Black Cylinders to create the Leg Stop. Place these two bolts at outer right and left bottom holes at the foot of the bed frame. *Refer Drawing 6 page 14*

Note: The stiffener bars are shown in Drawing 4 for reference only. These are not attached until the Attach Face / Base step in this manual.

Three steel stiffeners are provided for all beds (5 for King). These notched stiffeners will be attached to divide the Bed Face / Base length into four equal sections.



Attaching the Frame to Face / Base Panels

Note: When fixing the Steel Frame to the Face / Base Panels, you must use the Dome Screws supplied in the supplementary hardware bag by WallBeds Australia. **DO NOT USE CARD #7** Failure to do so will result in damage to the Face / Base Panels.

Pre-drilling the dome head screw holes is recommended for all the steel frame fixing screws. This will reduce the risk of any "bulging effect" of the timber through the Face / Base panel.

It is essential to have the Steel Frame centred on the Face / Base panels. Any error will be noticed in the vertical sightlines and may interfere with the operation of the Face / Base.

Use caution not to damage bed Face / Base panels by putting screws in too far into the recessed areas.

Step1

- The front of the Face / Base panels is universal. Carefully check the panels for any imperfections. Ensuring the handle holes are in the middle where the two panels meet. Place the Face / Base panels down on a non-scratch surface.
- Place a small washer or 5c piece between the two-door panels at each end to create an equal gap between the door panels. Remove these once the frame is fixed to the Face / Base panels.

Step2:

- Once the Face / Base Panels are even at the top & bottom, position the bed frame flush with the bed head end of the Bed Face Panels. You will have approximately (25mm) space from the bed frame to the panel edges and at the bed foot. Refer to Drawing 5, page 14.
- To ensure the Steel Bed Frame remains square, start fixing the frame to the Face / Base panel at each corner first. Use caution not to damage Face / Base panels when setting the Dome Head screws.

Step 3:

- Space the Stiffener Bars over the Face / Base panels. These stiffeners should be located and attached to divide the Bed Face length into four equal sections. Refer to drawing 5 page 14. Note: King Beds have five stiffeners (see diagram on pg. 14 for placement).
- Horizontal beds are supplied with an extra timber stiffener. The timber stiffener is secured into place using the 28mm wood screws. Use the steel stiffeners, one next to the wood stiffener and the other two equally spaced.

Step 4:

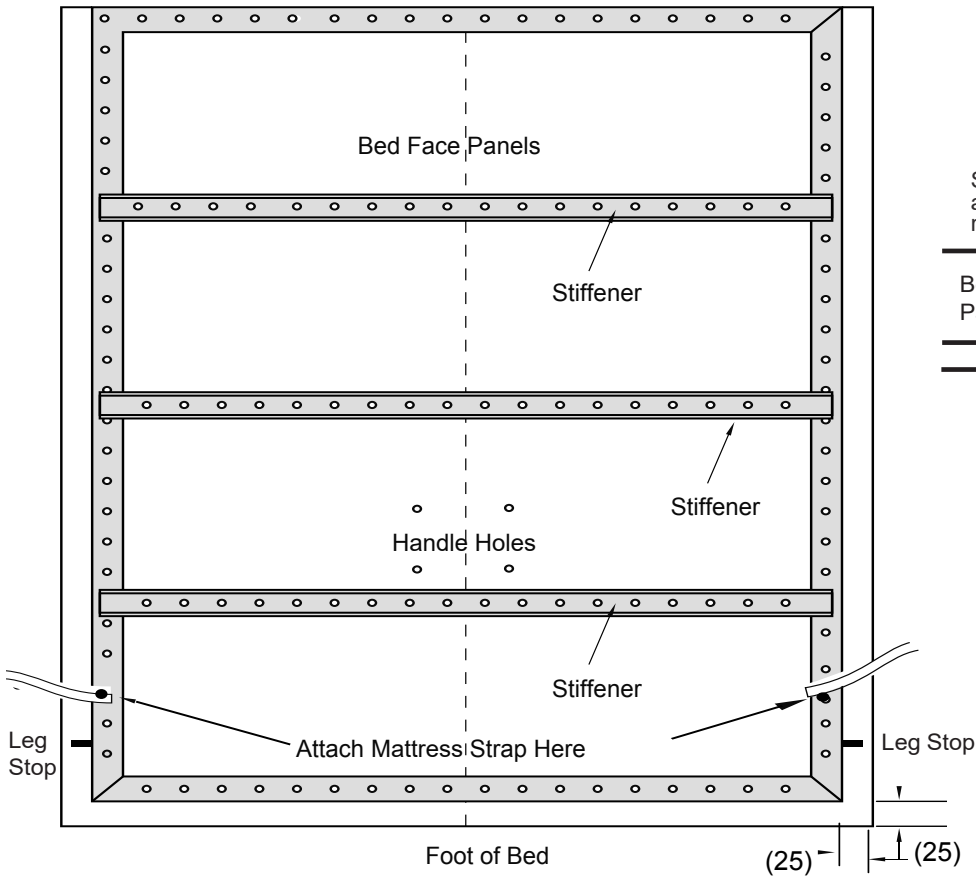
- Attach the Panel Savers (PS-1) as per instructions on page 20
- Attach the mattress Nylon Web Strap (*Hardware card #5*) approximately 457mm from the foot of the bed. Use one of the existing frame holes & dome screws from the steel frame
- Remove the two spacers

Steel Bed Frame to Face / Base Panels

Vertical Frame Assembly

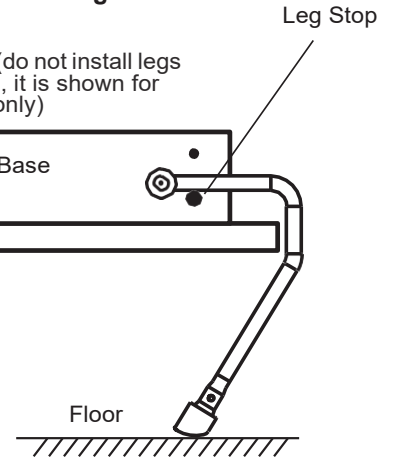
Drawing 5

Frame flush with Face Base Panels Head of Bed



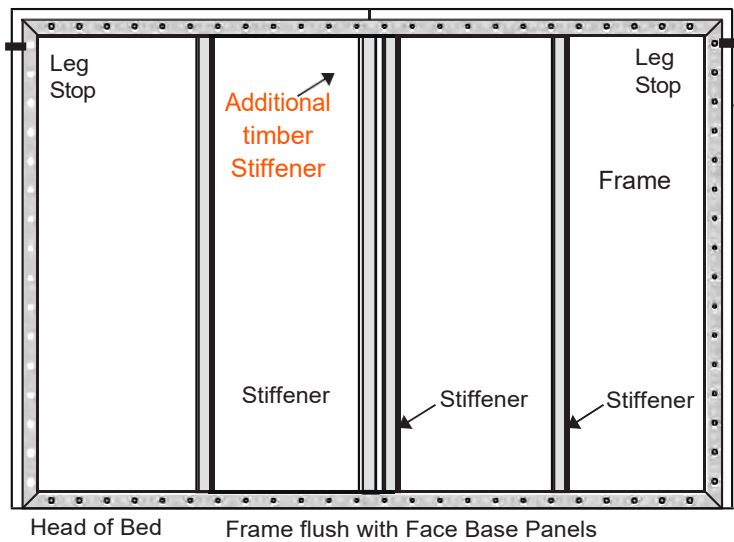
Drawing 6

Side View (do not install legs at this time, it is shown for reference only)

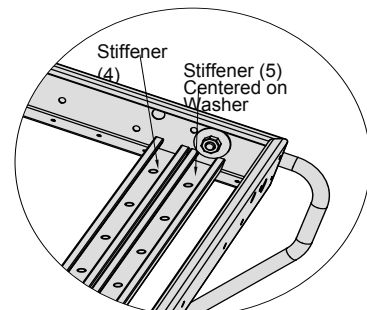
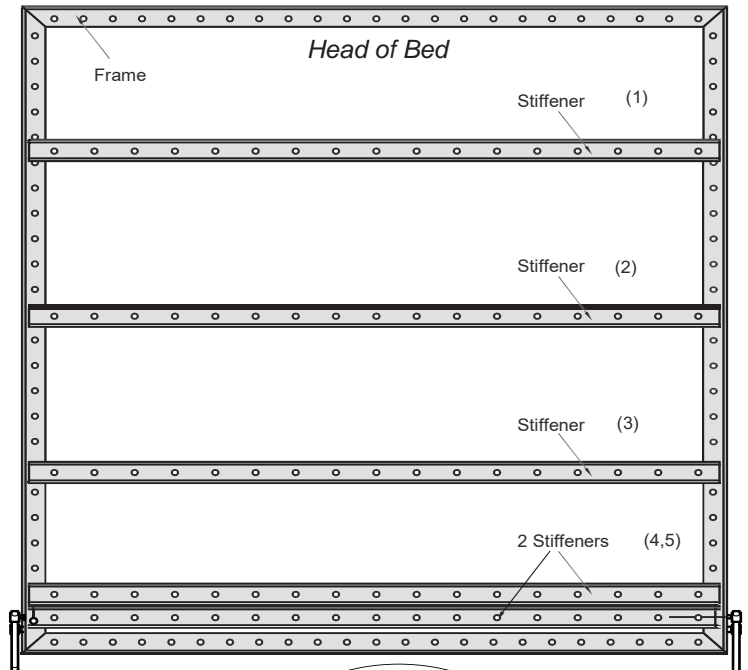


Horizontal Frame Assembly

Foot of Bed



Vertical KING Bed Stiffener Placement Only



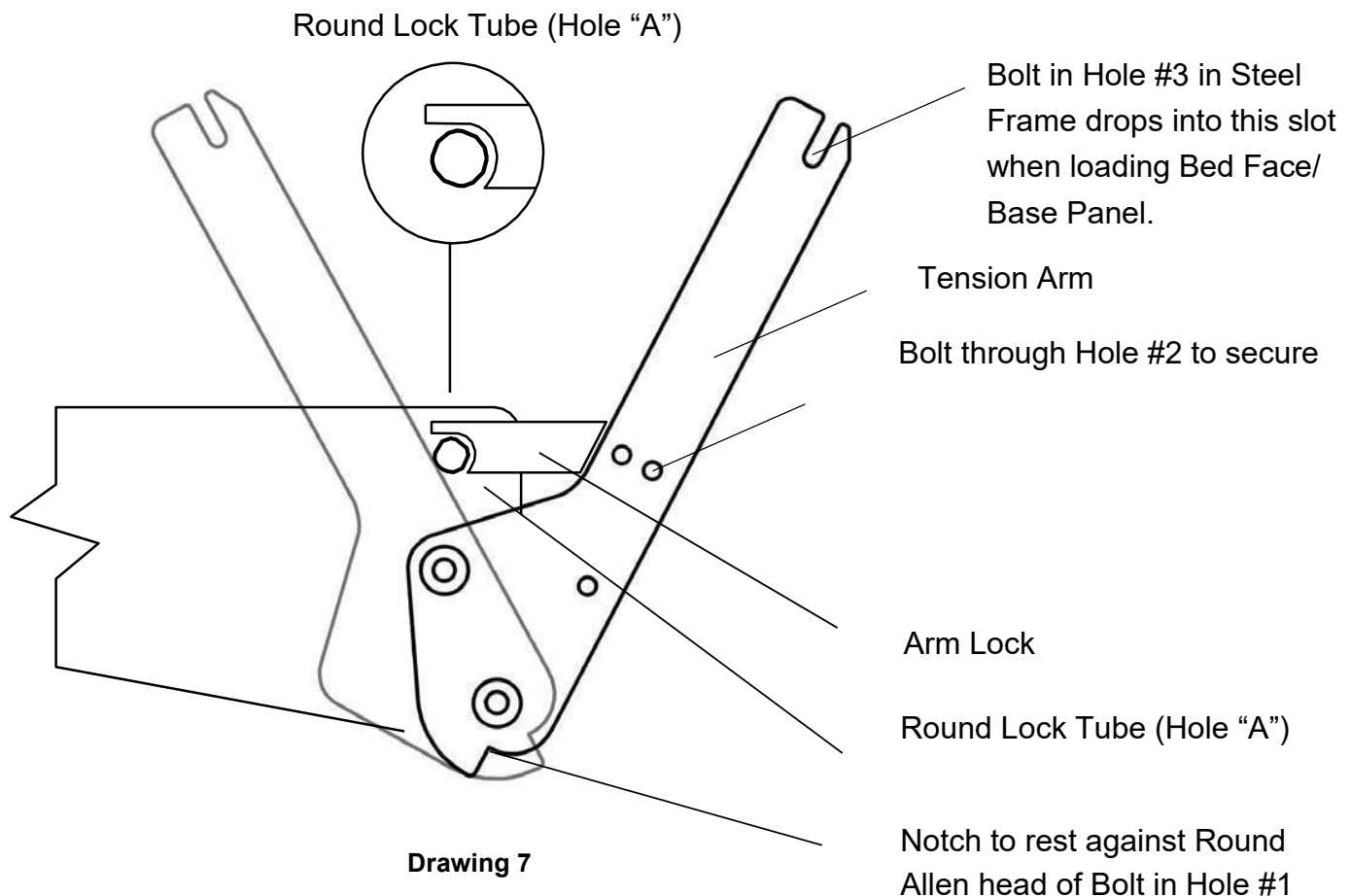
Setting the Spring Lift Mechanism

WallBeds Australia recommends eye protection is worn while setting the Spring Lift Mechanism

Note: Have a helper assist in the setting of the lift mechanism and loading of the bed Face / Base panel. **Do not** reach behind the tension arm when you are doing the setting procedure. Ensure the tube supplied is placed far enough onto the tension arm to prevent either the tube slipping off or breaking.

- Place the PVC tube supplied over the Spring Lift Arm. Placing one foot against the bottom front edge of the Side / End panel of the wall bed.
- Lever the tension arm downwards until you can set the silver arm lock to the round lock tube (hole A) *see drawing 7*. This is the position of the top cone bolt that was used to attach the Spring Lift mechanism. This may also require the assistance of a helper to achieve this step.

Tip: A longer pipe or similar could be used providing it is not fragile and of similar or stronger construction. This will allow for extra leverage when engaging the Tension Arm.



Installing the Face/Base Panel onto the Spring Lift

Hardware from Card #2 in the SBLM carton is used in these steps.

- On the Steel Frame insert two 5/16" x 3/4" Hex Head Bolts from the outside through Hole #3 *see drawing 8* put the 5/16" Nylock nuts on these bolts only until the nut is flush with the bolt end. **DO NOT TIGHTEN AT THIS STEP.**
- Insert the two Round Allen Head Bolts from the outside of the Frame through Hole #1 *see drawing 8* use 5/16" Nylock nuts and securely tighten.
- Stand the Face / Base panel to a vertical position between the tension arms. Lift and tilt back evenly until the two hex head bolts in Hole #3 on either side of the Steel Frame drop into the notched end of Tension Arm *refer drawing 9 page 17.*

When installing the Face / Base panel the bottom edge of the Face / Base panel must be placed OVER and BEHIND the kick panel.

- Once the Bolts in Hole #3 are entirely seated in the bottom of the notch in both Tension Arms. Lower the Face / Base until the Allen Head Bolts are seated into the lower notch *see drawing 9*

Do not twist the Face/Base panel as it is being lowered as the Round Allen bolts will come unseated. If this occurs, then you will need to lift the Face / Base back up and re-lower back into position.

- Gently lower the Face / Base downwards to insert the two remaining 5/16" x 3/4" Head Bolts in Hole #2 on both sides *refer drawing 9 page 17.*

You may need to tilt the panel downward to approximately 45 degrees to reveal the bolt holes. This will also release the Arm Locks; you will hear a click as they disengage.

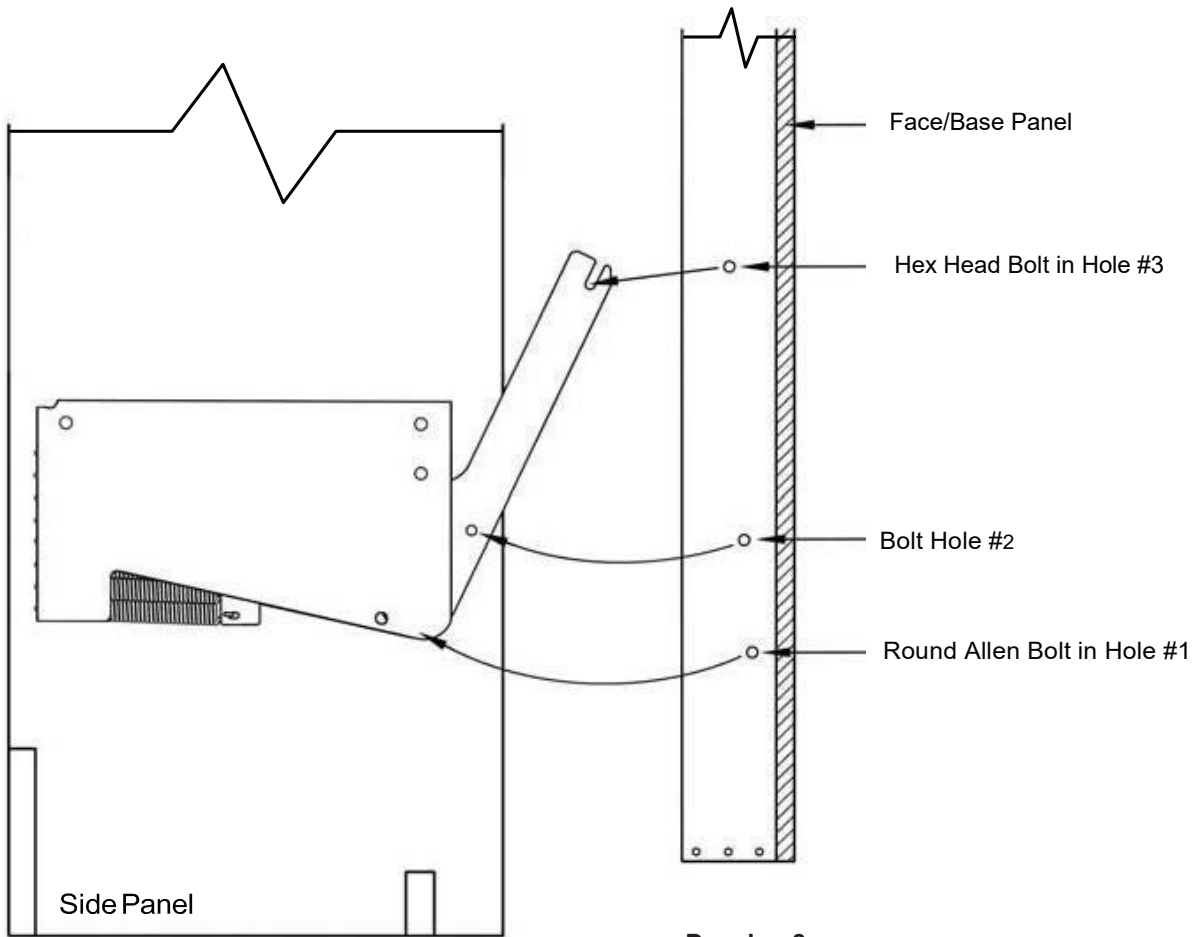
- Hold the Face/Base panel securely and tighten the 4 x bolts in Holes #2 and #3.
- Once all 4 Nylock nuts have been tightened gently close the Face / Base panel.

Do not let Face / Base slam shut as the bed cabinet may have moved out of square while loading and the leg may strike on a top edge of an end panel on the wall bed unit.

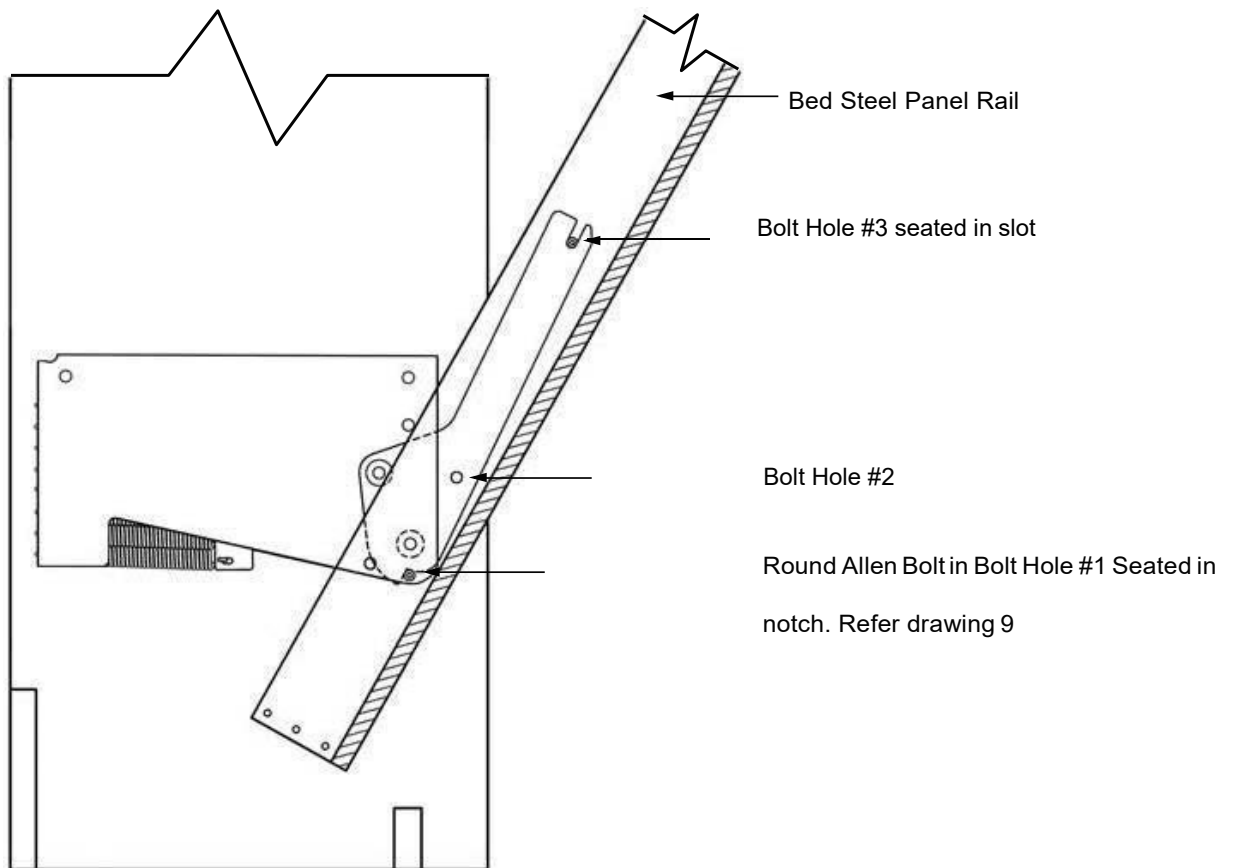
IMPORTANT - The Face / Base will NOT stay in the open or the down position until the mattress has been loaded onto the Face / Base panel. The weight of the mattress is needed to counterbalance the Spring Lift Mechanism.

If the Face / Base panel is hitting the top on one side of the wall bed End Panel when closing, the wall bed may be now out of square. To fix this, nudge the bottom of the End Panel that the door is hitting on towards the opposite side. You will then see the gap of the Face / Base open and no longer strike the End Panel.

Tip: Once the Face / Base panel no longer strikes on the End Panel and the gap on either outer edge of the Face/Base panel is even. You can also secure the Lower Back Panel (D) to the wall studs; this will prevent any further cabinet movement.



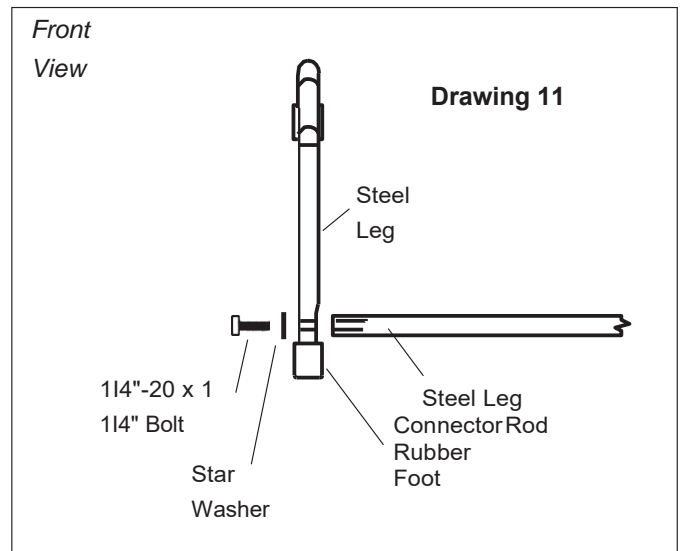
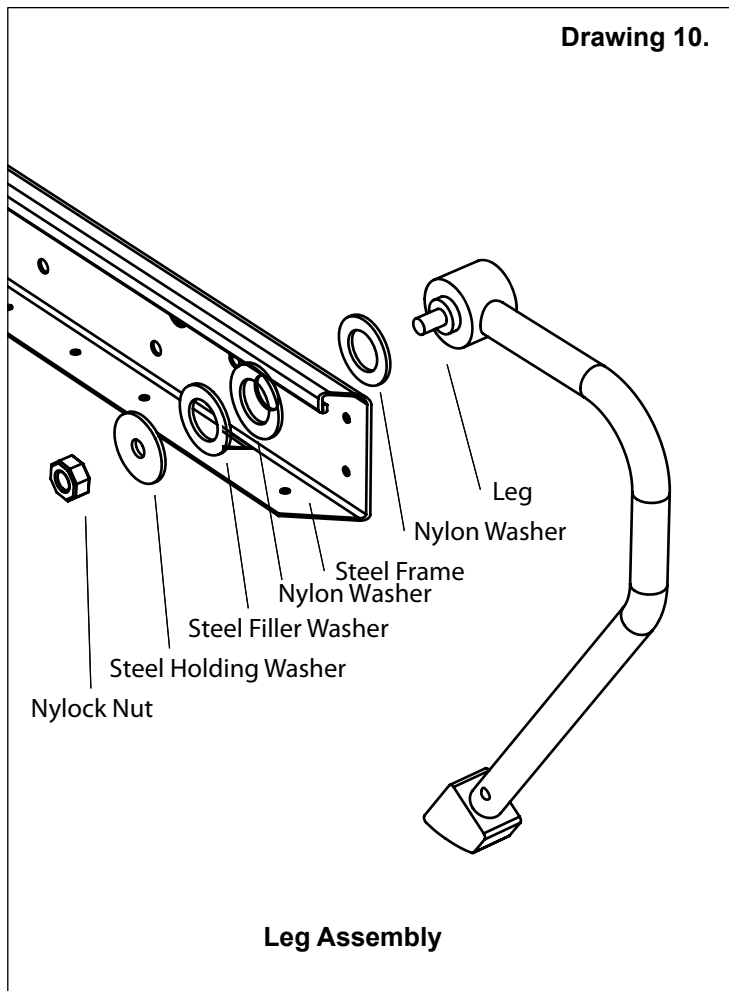
Drawing 8



Drawing 9

Install Handles, Legs, Mechanism Covers, & Mattress

- Install the door handles
- Install legs with the nylon washers on the inside and outside of the steel rails. Tighten the nylon nut to have a small amount of friction when leg assembly is rotated from the up to the down position. *drawing 10*
- Install leg connector rod between legs and secure with 1/4" x 1 1/4" Hex head bolts and star washers *drawing 11*. Be sure they are securely tightened so as not to become loose.
- Attach the powder coated spring mechanism covers that were in the SBLM Carton in place. - **Secure these with #8 x 1 1/4" black wood screws through the hole in each of the cover plates hardware Card #2**. These screws will fix into the timber side panels of the bed. These screws will attach into the timber of the side end panels of the bed. *Drawing 12 & 13*
- Install mattress and secure with previously installed straps.



Drawing 12



Drawing 13

Assembly Images

Photo 1



Photo 2



Photo 3

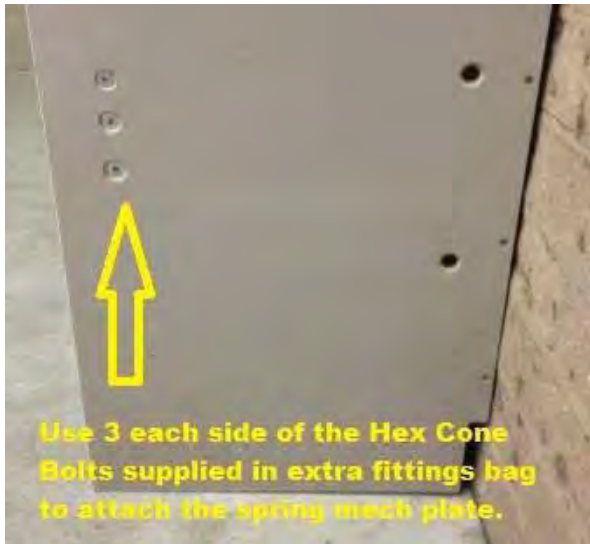


Photo 4

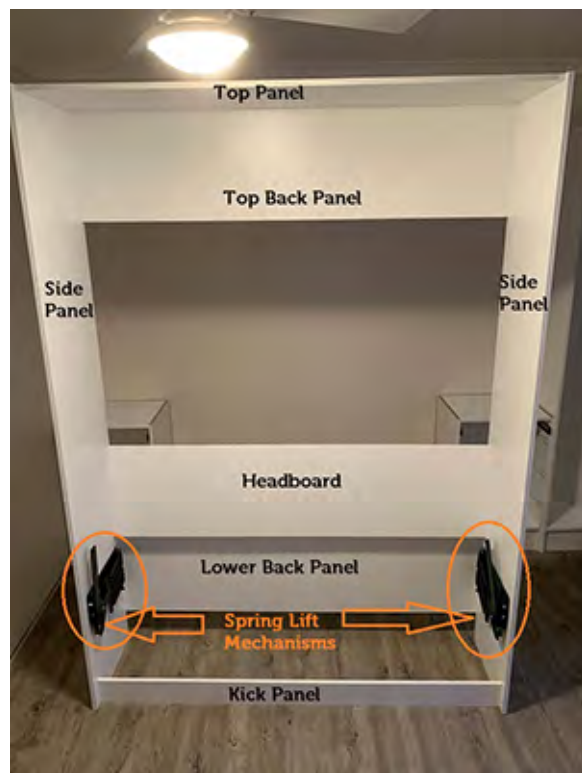
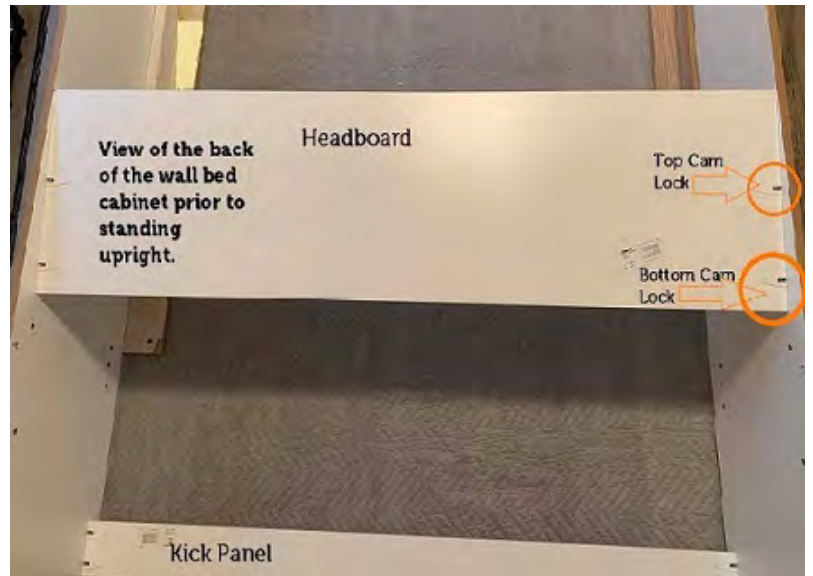


Photo 5

Fitting Instructions for the Alpha Bed Steel Frame PS-1 Panel Saver

What does the PS-1 Do?

The PS-1 can be fitted to protect the upper back face of the door panel if the user forgets to lower the legs to the ground when opening the wall bed. Significant damage can be caused to the wall bed face panels as it passes from the horizontal point and goes to the floor. The PS-1 will reduce damage to the face panels but will not protect against possible damage to the Spring Lifting Mechanism by overstretching the springs.



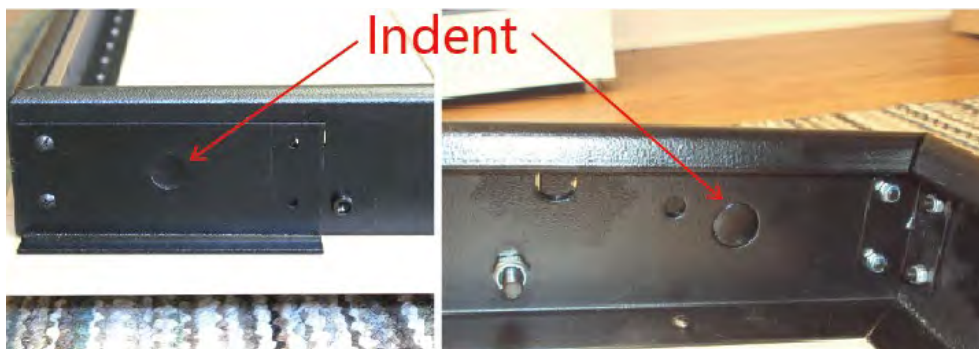
The PS-1 is attached at the bed head of the bed, not at the foot end of the bed where the leg is mounted.

There is no left or right - the unused holes are for the opposite side.



Insert the indent on the PS-1 into the large hole in the frame closets to the corner angle bracket. Secure the PS-1 into position by using the two (M6x12mm) Black bolts that hold the frame corner brackets. The remaining two smaller holes in the PS-1 are there, as they are reversible and interchangeable with either side of the frame.

Repeat this step for the opposite side.



Assembly Images

Photo 6

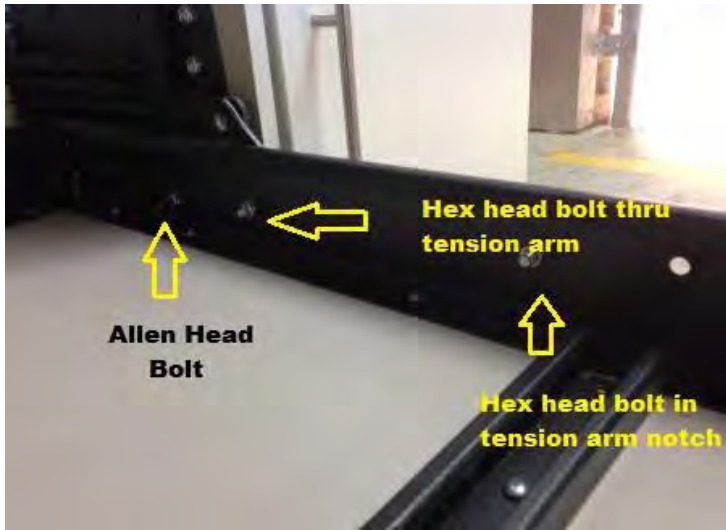


Photo 7



Photo 8

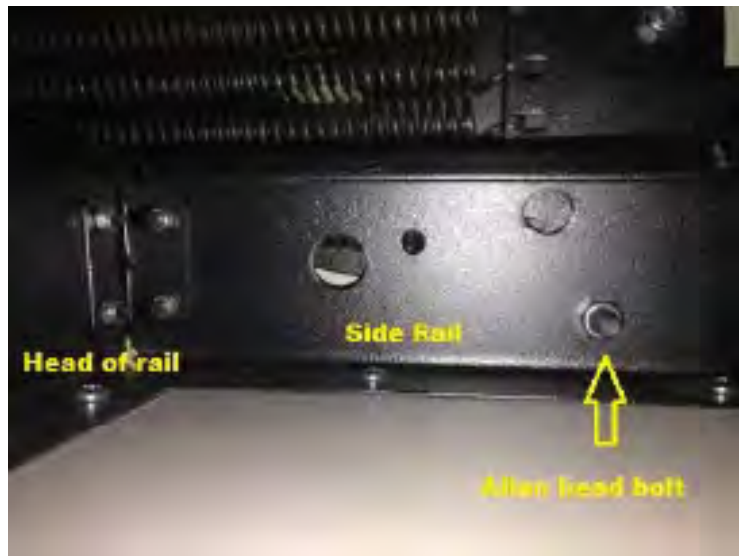


Photo 9



Photo 10



Photo 11

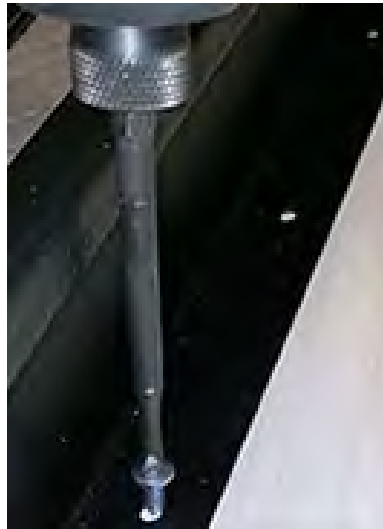


Photo 12



Follow up to Initial Assembly

- Level or square problems with the Face / Base fitting into Cabinet.
- The Face I Base panel is hitting the side panel on one of the top corners

Nudge base of Cabinet at the floor level - or use packers under the End Panels.

- The bed is too heavy to operate, or Face / Base panel slams shut or is difficult to open.

You may decide to use one more or less spring(s) on the Lift Mechanism.

To achieve this will require you to remove the Face/ Base panel for ease of access to the springs.

- The springs squeak when lowering the Face / Base.

Remove spring cover plate and lubricate the springs with a small amount of WD40 or similar.

- The legs do not open at the same time or feel loose when opening

Tighten the leg connector rod 1/4" bolts

