



Product: 30 Inch Gas Range in Stainless Steel
Model Number: LRG3001U / LRG3001ULP

TECHNICAL DETAILS

Fuel Type	Natural Gas / LP Convertible
Electrical Requirements	120V
Circuit Breaker (A)	15 or 20A
Frequency (Hz)	60 Hz

BURNER PERFORMANCE

Total Burners	5
[1] Front Left (Single)	18,000 BTU
[2] Front Right (Single)	8,000 BTU
[3] Rear Left (Single)	4,000 BTU
[4] Rear Right (Single)	6,000 BTU
[5] Middle (Oval)	9,000 BTU
Tube Broil burner	10,000 BTU
Bake Burner (30" Oven)	18,500 BTU



FEATURES & BENEFITS

- + **High-Powered BTU Burners** - The high-powered 18,000 BTU burner provides fast, intense heat for creating large family meals and restaurant-quality dishes
- + **Large Oven Capacity** - 4.55 cu. ft. oven capacity can accommodate multiple dishes at a time
- + **Storage Space** - Storage drawer provides additional storage space for cooking trays and other kitchen utensils
- + **Convection Fan** - Commercial convection fan provides controlled heat distribution for fast and efficient cooking
- + **Even Heat Broiler** - Reflective gas tube broiler distributes heat evenly to sear your food and seal in the juices
- + **Continuous Cast-Iron Grates** - Heavy-duty continuous cast-iron cooking grates that can handle any size cookware
- + **Professional Knobs** - Black burner control knobs add style to the bold range design
- + **Porcelain Spill Tray** - Single-piece black porcelain spill tray catches the mess and makes cleanup easy
- + **Porcelain Interior** - The gray porcelain oven interior adds a stylish touch and is easy to clean

ACCESSORIES (NOT INCLUDED)

Liquid Propane Gas Conversion Kit	LPKLRG3001U
Wok Ring	WK01
Cast Iron Reversible Griddle	RG1022



WARRANTY: 2 YEARS ON PARTS AND LABOR

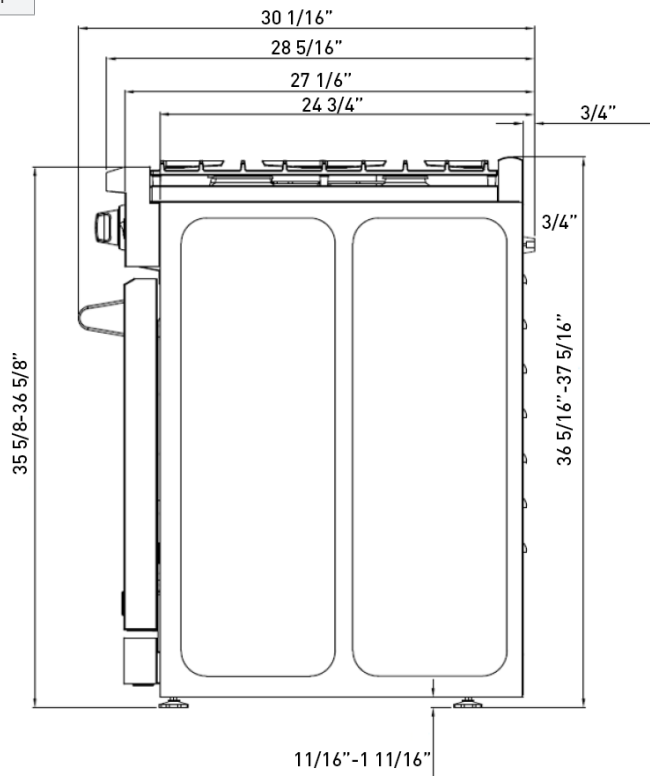
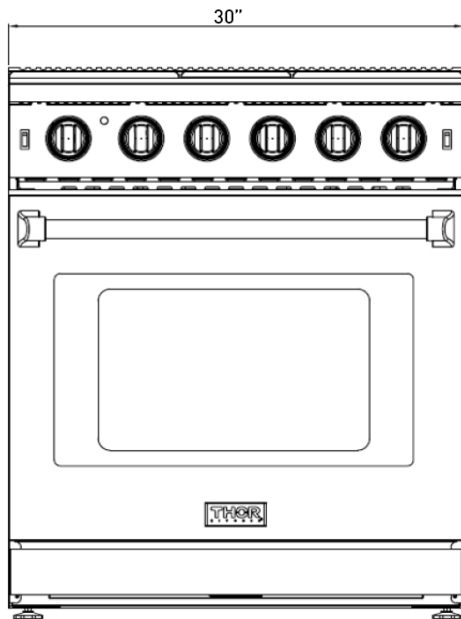


PRODUCT DIMENSIONS

Product Width	30"
Product height (from bottom to top of back splash)	36 5/16" - 37 5/16"
Product height (from bottom to top of side panel)	35 5/8" - 36 5/8"
Product depth (from back panel to bullnose)	28 5/16"
Product depth (from back panel to control board)	27 3/4"
Product depth (from back panel to side panel front)	24 3/4"
Depth of control panel (minimum)	2 1/4"
Depth of control panel (bullnose)	3 9/16"
Adjustable Legs	Not to Exceed 1"

REQUIRED CUTOUT SIZE

30 1/8" x 24 3/4" x 35 5/8 (+1")



NG: Input Pressure: 7 inches,
Output Pressure: 5 inches
LP: Input Pressure: 11 inches
Output Pressure: 10 inches
Size of Regulator: 1/2 inch

