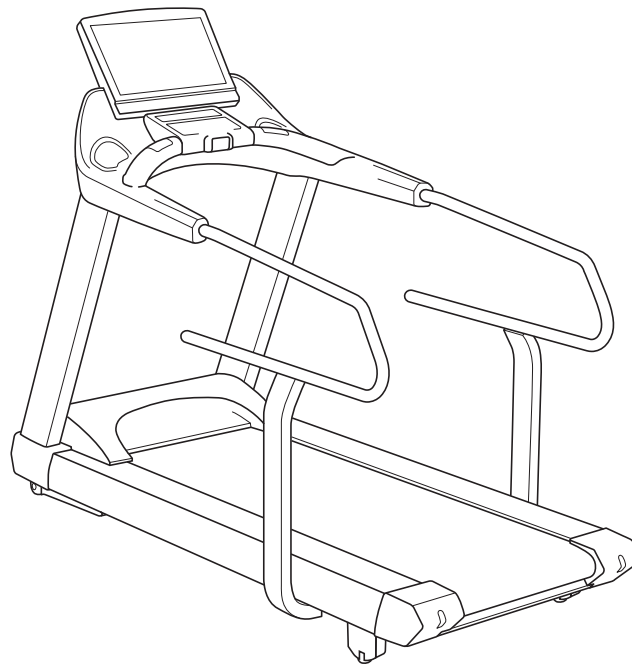




Life's short. Live longer.



Commercial Treadmill

Owner's Manual for TR7000iM



Welcome

Congratulations on Purchasing Your LifeSpan Treadmill!

At LifeSpan we take pride in the quality, safety, and reliability of our products as well as the professionalism of our sales support and customer service teams. Making it our number one priority that you have an exceptional experience using our products.

To support the quality of our products we pre-assemble parts on the manufacturing line whenever possible to reduce the number of steps and complexity of customer assembly, independently certify our products to comply with the latest industry Safety Standards, and use state of the art production processes and quality components.

Then we back LifeSpan products with excellent warranties and a responsive customer service department making it simple and easy to get assistance should the need arise.

This attention to quality, our high standard for customer service and focus on innovation has earned LifeSpan numerous awards and consistent praise from independent review groups, industry authorities and you, the consumer.

Thanks for choosing LifeSpan.

Please thoroughly read this manual before you assemble or operate your treadmill. Neither LifeSpan nor its representatives can accept responsibility for any damages or injury incurred as a result of information presented in this manual except under the terms of the product warranty.

Contents

About Your Treadmill	4
Specifications	
Unique Features	
Warranty, Registration	
Safety First	11
Children and Pets	
Safety Tips	
Safety Key	
Proper Grounding	
Assembling Your Treadmill	16
Exploded View & Hardware	
Assembly Instructions	
Console Basics	34
Console Overview	
Readout Display	
Operating Keyboard	

Contents

Operations.....41

- Home Screen
- Personal Settings
- Bluetooth Speaker, Chest Strap and Arm Band
- Quick Start
- Manual Program
- Preset Programs
- Custom User Set-Up Programs
- Heart Rate Control Programs
- Summary Screen
- Screencasting
- Equipment Settings
- Program Profiles
- Preset Program Operation

Maintenance and Tips.....40

- Heart Rate Monitoring
- Hand Pulse Sensors, Chest Strap
- Belt Lubrication
- Moving the Treadmill
- Cleaning
- Belt Tensioning, Belt Alignment
- Troubleshooting

About Your Treadmill

Specifications

Console

Display	18.5" Colorful Touch screen and Touch panel, showing workout progress, and simultaneous display of all readouts.
Readouts	Program name, date and time, speed, incline, distance, calories, steps, heart rate, and pace
Programs	Two heart rate control programs, and 42 programs grouped by exercise motivation type for weight loss, healthy living, and sports
Quickstart	Yes
USB Ports	1 USB port for mobile device charging
Bluetooth	Sync workout data with LifeSpan Club app
Heart Rate	Grip pulse and BT Heart rate
Media Holder	Book, magazine, and tablet computer holder
Emergency Stop	Mechanical safety clip, when detached, immediately turns off power, bringing the treadmill to a gentle stop
Units of Measure	Standard and metric settings
Language Support	English

Treadmill

Belt Size	22" W x 62" L (56cm W x 157.5cm L)
Drive Motor	5.0 HP Continuous Duty AC
Belt Type	Multi-ply polyester belt with PVC non-slip surface
Incline Motor	1000 lbs. (453.6 kg) thrust
Rollers	3.0" (7.5cm) crown rollers keep belt centered
Speed	0.5 - 12 MPH (0.8 - 20 KPH)
Incline	-3 to +12
Deck Suspension	Independent shock absorbers

About Your Treadmill

Treadmill (Cont.)

Deck	1" (2.54cm) melamine laminated reversible deck medium-density fiber board
Dimensions:	80.5" L x 36.5" W x 61" H (204.5 L x 93.2 W x 154.9 H cm)
Step-Up Height:	9.5" (24 cm)
Max. User Weight:	400 lbs. (181.4 kg)
Net Weight:	434 lbs. (197 kg)
Gross Weight	480 lbs. (218 kg) (including Medical Handrails)
Certifications	CE/ETL US and CA /FCC Class SB EN 20957-1, EN 957-6

Included Accessory

Medical Handrails	42" high x 35" wide, 1.25" diameter steel tubing in black powder coating
-------------------	---

— |

| —

— |

| —

About Your Treadmill

Unique Features

As a leader in the fitness industry, LifeSpan has developed a number of unique features in our treadmills making them more engaging, safer and easier to use. Learn more about how to use these features in the Personal Settings sections of this Owner's Manual.



Intelli-Guard™

Walk confidently knowing your safety is assured with Intelli-Guard™. Step away from your treadmill for more than twenty seconds and your treadmill's belt will automatically glide to a smooth stop.



Intelli-Step™

Never miss a stride with Intelli-Step™. Your steps are automatically calculated with meticulous precision, displaying immediate feedback.



USB Charging Port

Charges most of your mobile devices. 5V, 0.5A Power Output.

About Your Treadmill

Warranty

Your LifeSpan treadmill/bike desk comes with the following limited warranty valid in North America. If you are outside of this area contact your local authorized LifeSpan dealer.

	RESIDENTIAL	COMMERCIAL
Treadmill Usage	-	6 Hrs/Day
Treadmill Frame	Lifetime	10 Years
Motor	Lifetime	5 Years
Parts	5 Years	5 Years
Labor	2 Years	1 Year

LifeSpan warrants that the equipment it manufactures is free from defects in materials and workmanship under normal use and services. The periods above are based on the date of purchase. During these periods, LifeSpan will repair or replace any defective part. Free labor is included on all parts that are not normally assembled or replaced by the customer within the labor period.

If within the time frames specified above, any part fails to operate properly, login to our website at www.LifeSpanFitness.com, click on "Customer Service" and complete the form to request assistance or call 877.654.3837 x4 for a Customer Service Agent (please note that certain kinds of service should only be performed by a qualified service technician).

LifeSpan reserves the right to make changes and improvements to our products without incurring any obligations to similarly alter any product purchased. In order to insure our product warranty and to ensure the safe and efficient operation of your LifeSpan product, only authorized parts can be used. The warranty is void if any parts other than those provided by LifeSpan are used.

About Your Treadmill

Exclusions and Limitations:

- This warranty does not apply to any defects caused by negligence, misuse, improper assembly, or maintenance, accident, or "act of God."
- This warranty does not apply to discoloration of paints or plastics.
- LifeSpan shall not be responsible for incidental or consequential damages.
- This warranty is non-transferable from the original owner.

Registration

You must register your LifeSpan product before a warranty claim can be processed. To complete your registration online go to www.lifespanfitness.com/support/registration. Registration must be completed within 60 days of delivery to activate the product warranty. Product warranties are not valid unless the registration is properly completed within 60 days.



Safety First

When using exercise equipment, basic precautions should always be followed, including:

- Never drop or insert any object into any opening. If an object falls into an opening, turn the power off and unplug the power cord from the outlet. Remove the object or call customer service at 877.654.3837 x4.
- Never operate this treadmill if it has been damaged or partially submerged in water.
- To reduce the risk of electric shock, unplug the treadmill from the wall outlet when not in use, before performing any maintenance, or before moving the treadmill.
- Do not use outdoors or in areas of high humidity or extreme temperature changes.
- Do not lean against or climb on the treadmill.
- Do not operate where aerosol spray products are being used or where oxygen is being administered.
- Never place the power cord under carpeting or place any object on top of the cord, this may pinch or damage the cord causing fire damage or personal injury.
- Use this exercise product for its intended use as described in this Owner's Manual. Do not use attachments that are not recommended by LifeSpan.
- Do not leave your treadmill running while not in use.

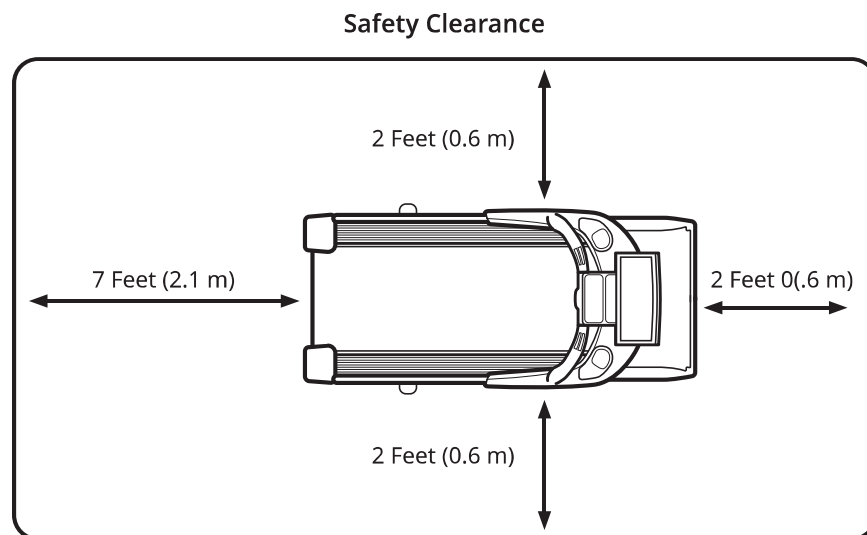
Children and Pets

- Keep children from playing on your treadmill at all times.
- When in use children and pets should be kept at least 10 feet (3m) away.
- This treadmill can be used by children ages 12 years and above and persons with reduced physical, sensory or lack of experience and knowledge if they have been given supervision or instruction concerning use of the appliance in a safe way and understand the hazards involved.
- Cleaning and user maintenance shall not be made by children without supervision.

Safety First

Safety Tips While in Use

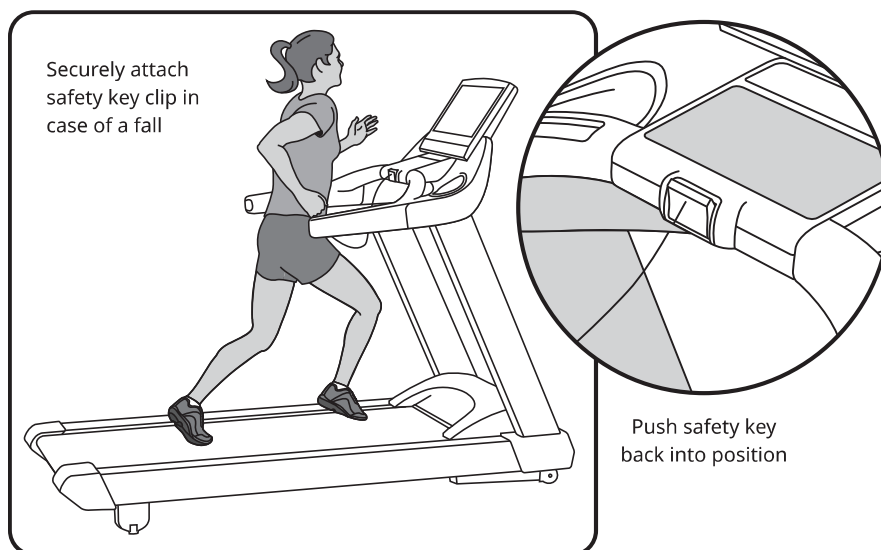
- Always consult a physician before beginning an exercise program.
- If you experience chest pains, nausea, dizziness or shortness of breath, stop exercising immediately and consult your physician before continuing.
- Do not wear clothing or jewelry that might catch on any part of the treadmill.
- Wear shoes with high traction rubber soles. Do not wear shoes with heels, leather soles, cleats or spikes.
- In case of emergency, grab onto the side handrails and place your feet on the side rails located on each side of the running belt.
- Do not walk or run backwards on the treadmill, always face forward.
- Allow the running belt to fully stop prior to getting off the treadmill.
- Keep the treadmill on a solid surface, with the side rails and front of the treadmill a minimum of 2 feet (0.6m) from any walls or furniture. Make sure that the area behind the treadmill remains completely clear during use. A minimum of 7 feet (2m) of clearance is required for safety reasons.



Safety First

Safety Key

The safety key is required to operate this treadmill. With the safety key engaged (pushed in) the treadmill is operational. With the safety key pulled, power is turned off to the motor making the treadmill inoperable.



⚠ CAUTION: For your safety always attach safety key clip to an article of clothing prior to use. The safety key clip needs to be securely attached to clothing parallel to or above the height of the safety key.

⚠ WARNING: Heart rate monitoring systems may be inaccurate. Over exercising may result in serious injury or death. If you feel faint stop exercising immediately.

Note: Read all instructions and save for future reference.

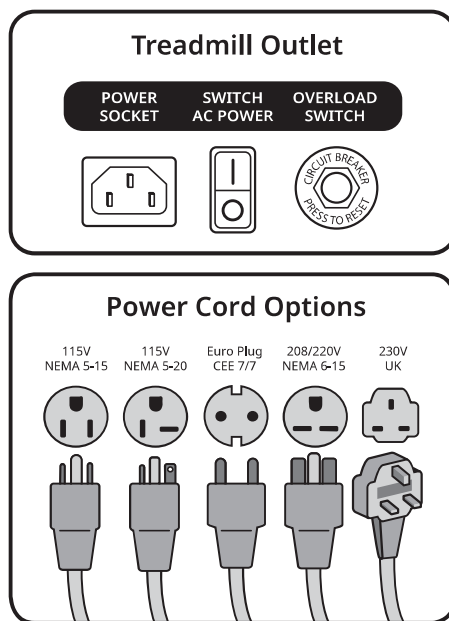
Safety First

Proper Grounding

LifeSpan equipment must be grounded. Improper connection of the equipment's grounding conductor can result in the risk of electric shock. Check with a qualified electrician or service person if you are in doubt as to whether the outlet is properly grounded. Do not modify the plug provided with the product or use a ground plug adapter to adapt to a non-grounded outlet. If the plug will not fit in the outlet, have the proper outlet installed by a qualified electrician.

Power Cord Options

This treadmill should only be used with the proper power cord and power outlet. Several power cord options (shown below) are available from LifeSpan. We do our best to include the correct power cord with the treadmill for your area. In the event that the correct power cord is not included in the packaging please contact your local distributor.

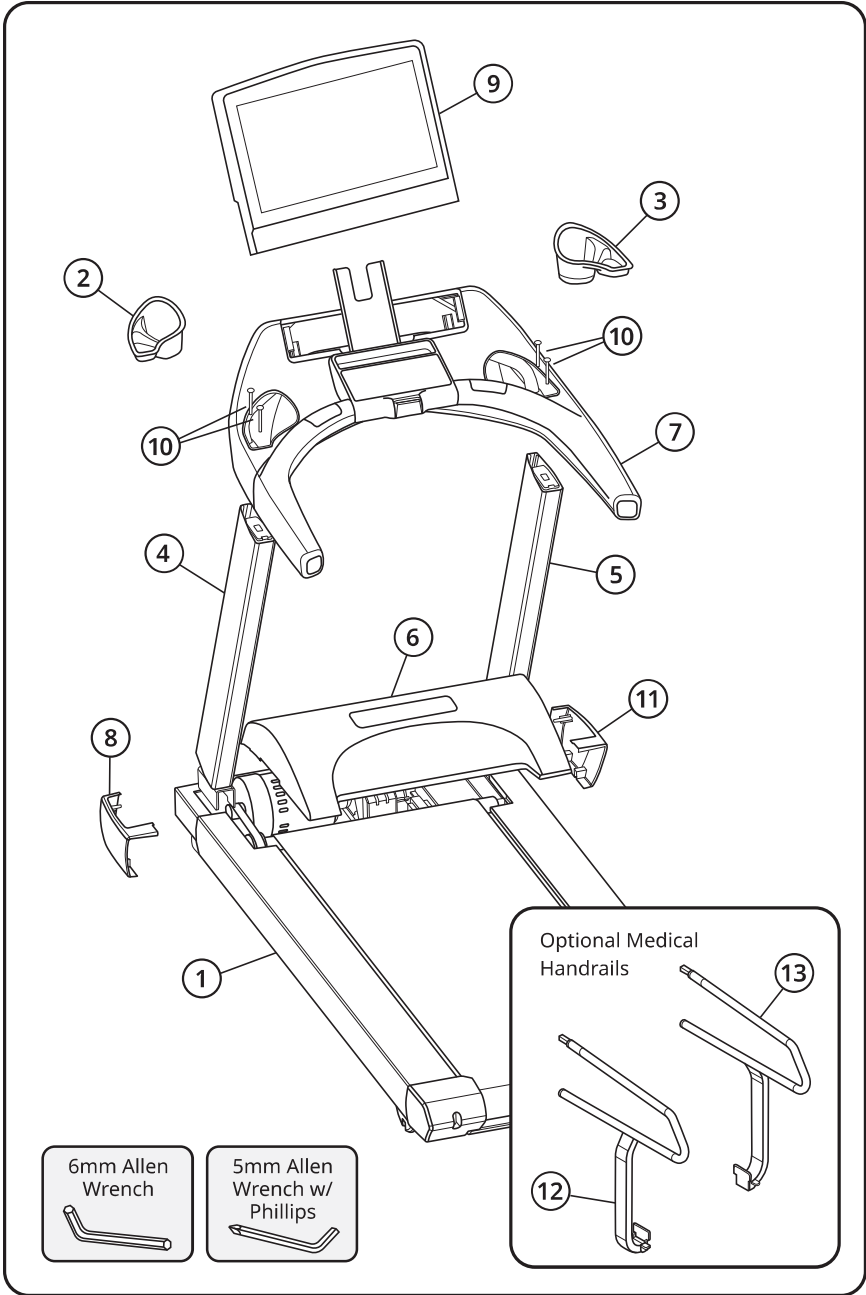


⚠ DO NOT use extension cords between the treadmill and power outlet.

⚠ DO NOT plug into a GFI outlet or circuit as it may trip the breaker.



Assembling Your Treadmill



Assembling Your Treadmill

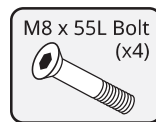
Exploded View

Prior to starting the assembly process take all of the parts out of the box. Remove plastic bags and lay them out on the floor to become familiar with the components.

Since your treadmill is a heavy piece of equipment it is recommended you use two people during assembly and follow these assembly instructions to reduce any problems that could occur.

Hardware Included

Item#	Part Description
1	Main Frame
2	Left Accessory Tray
3	Right Accessory Tray
4	Left Support Post
5	Right Support Post
6	Motor Cover
7	Handlebar Assembly
8	Left Support Post Cover
9	Console
10	Bolts M8 x 55L
11	Right Support Post Cover
12	Left Optional Medical Handrail
13	Right Optional Medical Handrail



CAUTION: Avoid damaging parts by not using power tools.

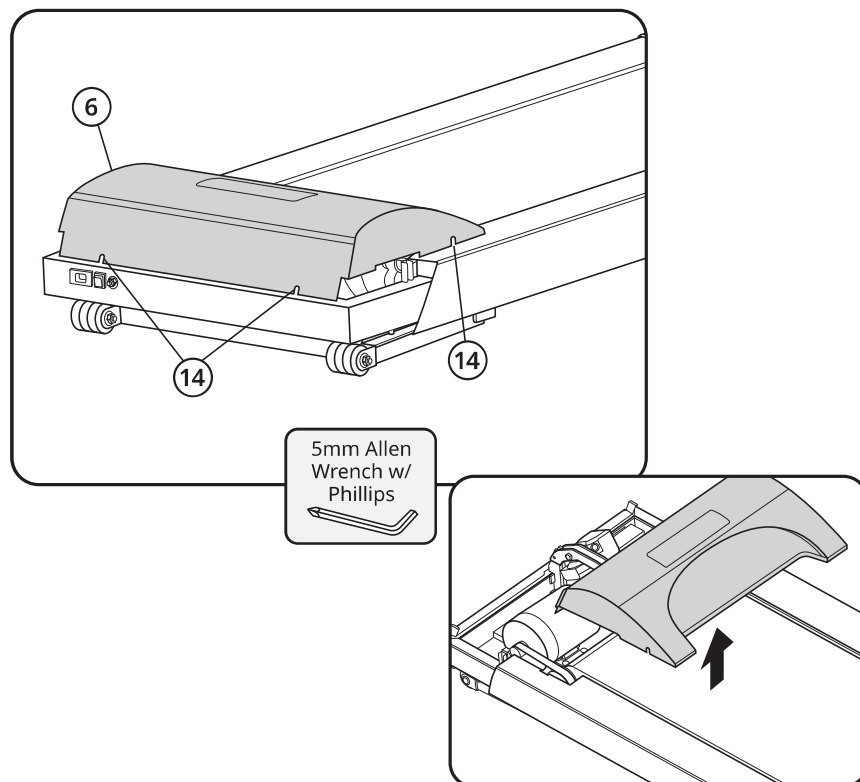
Assembling Your Treadmill

Step 1: Unpacking Treadmill

- A. Cut packaging straps and remove.
- B. Remove the box top.
- C. Remove small parts and packaging material and unwrap parts.
- D. Cut the corners of the bottom box and remove all packaging material to begin assembly. The treadmill can be assembled in the box. No need to pick the treadmill up to remove it from box.

Step 2: Remove Motor Cover

- A. Loosen (do not remove) the four screws (14) along the bottom edge of the motor cover (6).
- B. Lift the motor cover straight up to remove.



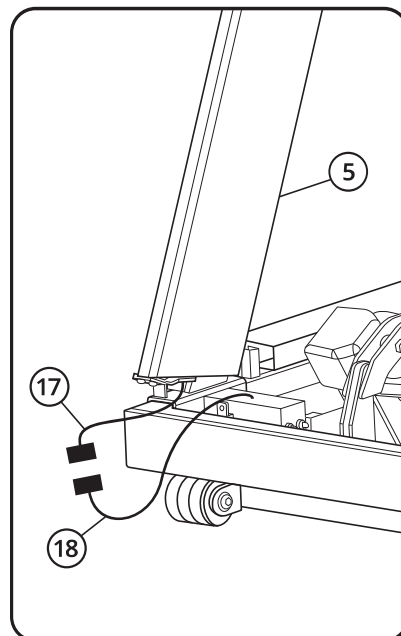
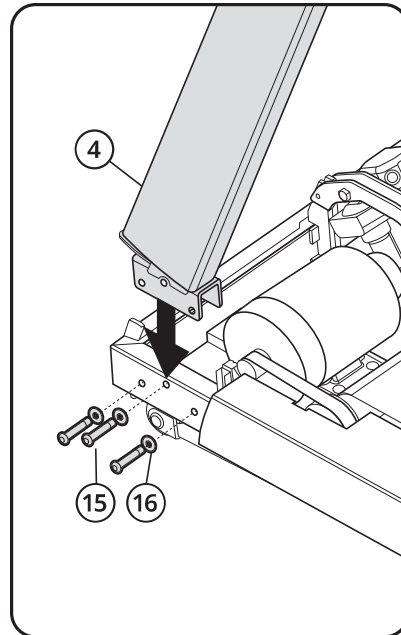
Assembling Your Treadmill

Step 3: Support Post Assembly

- A. Remove the three bolts (15) and washers (16) from the bottom of the left upright (4).
- B. Place the U shaped bracket on the bottom of the support post onto the main frame of the unit. Align the three holes in the bracket with the holes in the frame. Install the three bolts (15) and washers (16) removed in step 3-A. **Do not tighten at this time.**
- C. Remove the three bolts (15) and washers (16) from the bottom of the right upright (5). Make sure the cable (17) is not in the U-shaped bracket.
- D. Place the U-shaped bracket on the bottom of the right support post (5) onto the main frame. Align the three holes in the bracket with the holes in the frame. Install the three bolts (15) and washers (16) removed in step 3-C. **Do not tighten at this time.**

Note: Move cables 17 and 18 so they do not get pinched or damaged when installing upright.

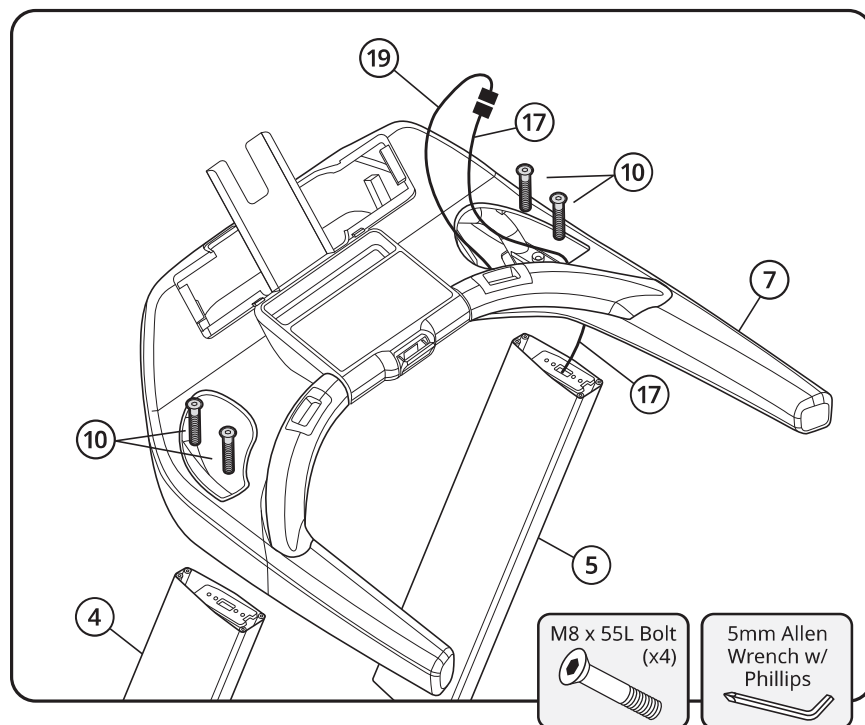
- E. Connect cable (17) coming from the bottom of the right support post to cable (18) coming from the motor control board.



Assembling Your Treadmill

Step 4: Handlebar Attachment

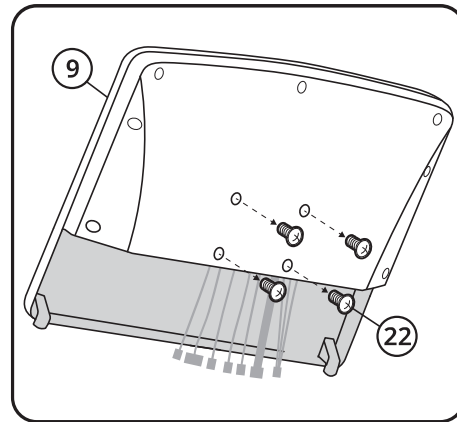
- A. Hold the handlebar set (7) above the upright posts (4 and 5). Feed the cable (17) from the right support post (5) through the square hole on the right side of the handlebar set.
- B. Place the handlebar set (7) onto the support post (4 and 5). Be careful not to pinch the cable (17) on the right side.
- C. Align the bolt holes in the handlebar set (7) to the holes in the upper end of the support posts (4 and 5).
- D. Install the four bolts (10) from the hardware bag. **Do not tighten the bolts until all four bolts have been installed.**
- E. **Tighten the three bolts (15) on the bottom of each support post installed in steps 3-B and 3-D.**
- F. Connect the cable (17) from the support post to the cable (19) inside of the handlebar set.



Assembling Your Treadmill

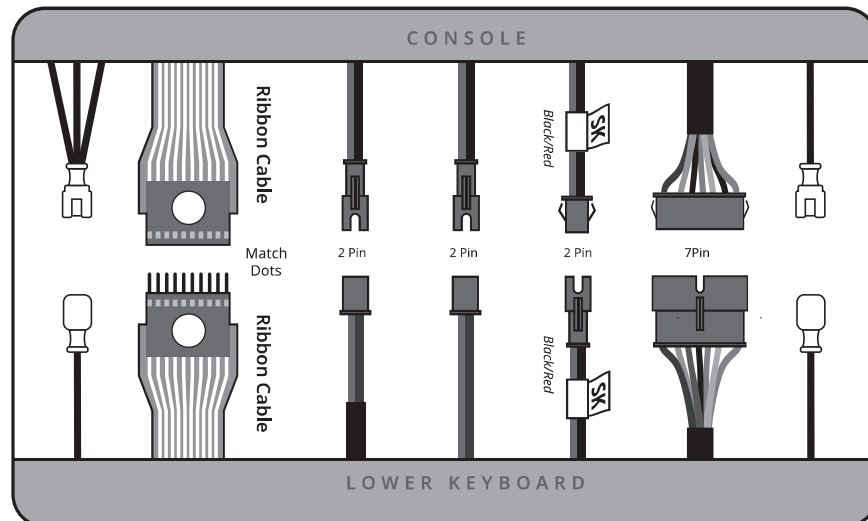
Step 5: Attach Console Set

- Remove the four screws (22) from the back of the console (9).
- Place the console (9) face down on the handlebar set so the bottom of the console is just in front of the wires coming from the console mount area.
- Connect the 6-pin and 9-pin ribbon cables.
- Connect the 7-pin connectors and the three remaining 2-pin connectors from the console to the connectors coming from the console mount area.

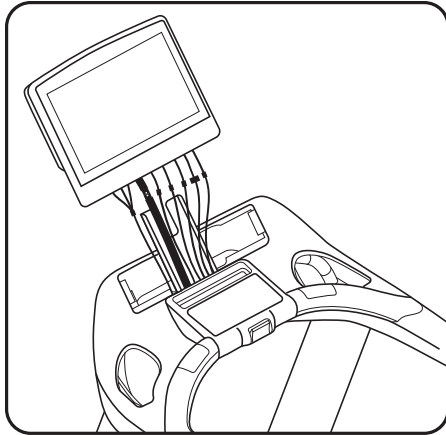


Note:

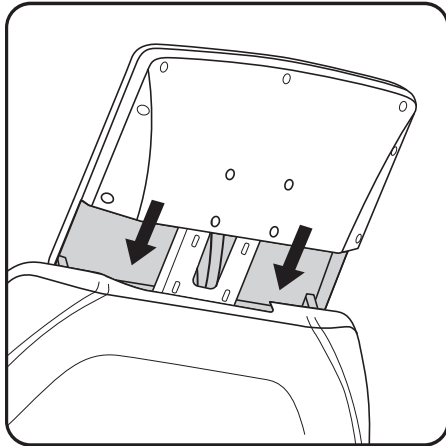
One of the 2-pin connector sets is different so match this set first. These are marked with SK labels. For the other 2 pin connectors it doesn't matter which 2 get plugged together.



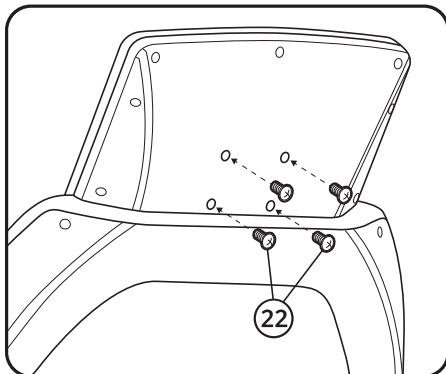
Assembling Your Treadmill



E. Lift the console up and carefully push the excess wire into the handlebar assembly.



F. Place the console set onto the mounting bracket. Make sure none of the wires will be pinched when the console is attached. Slide down into place.

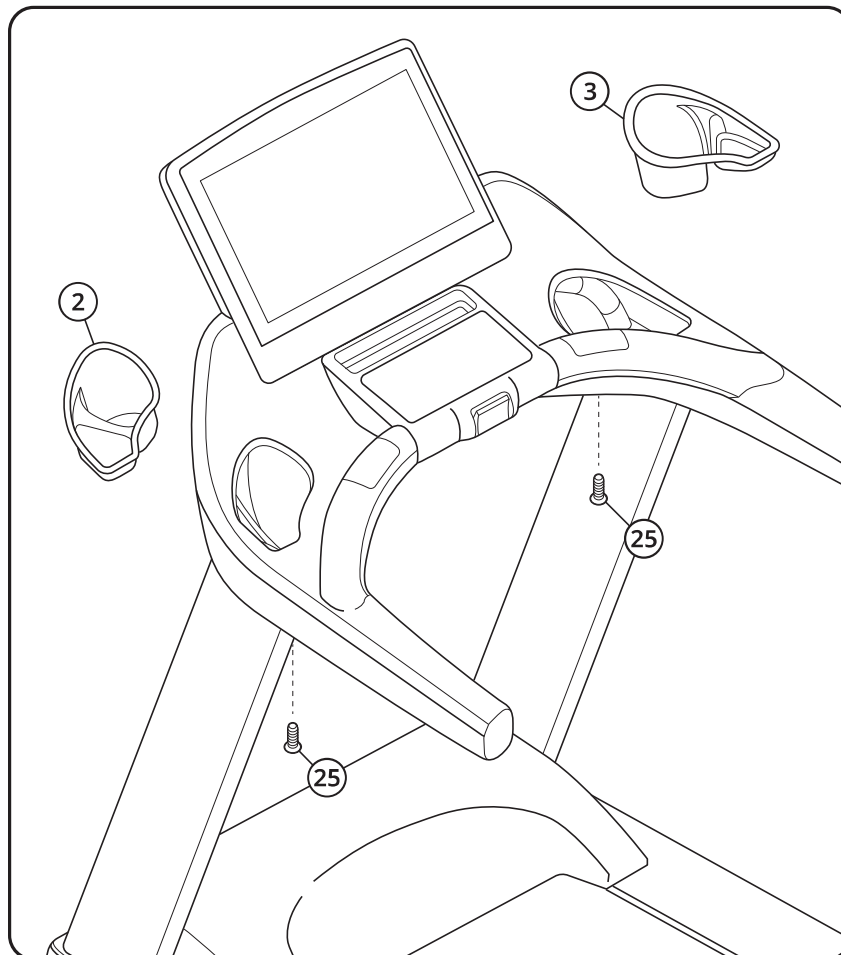


G. Align the screw holes on the back of the console with the holes on the mounting bracket and install the four screws (22) removed in step 5-A.

Assembling Your Treadmill

Step 6: Attach Accessory Trays

- A. Remove the screw (25) from the bottom of each accessory tray (2 and 3).
- B. Before installing the right tray (3) make sure the cable inside of the handlebar set is pushed to the front of the assembly so it will not be pinched when installing the tray.
- C. Place the accessory trays (2 and 3) into place and install the screws (25) removed in step 6A into the bottom of the bottle holder.



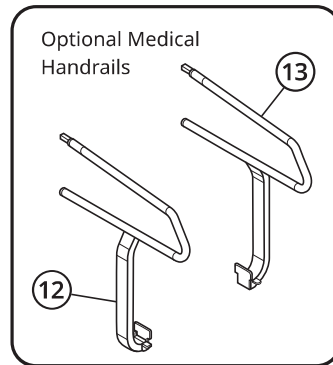
Assembling Your Treadmill

Step 7: Medical Handlebar (optional)

(If not attaching the medical handlebars skip to step 8)

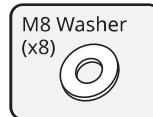
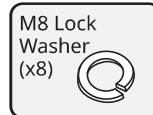
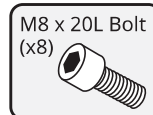
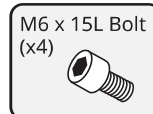
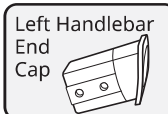
Hardware Includes

Item#	Qty.	Part Description
12	1	Left Optional Medical Handrail
13	1	Right Optional Medical Handrail



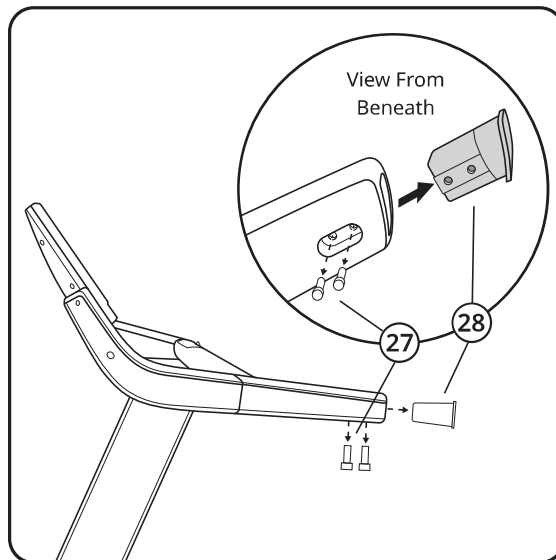
Hardware Kit Includes

Item#	Qty.	Part Description
30	1	Left Handlebar End Cap
31	1	Right Handlebar End Cap
32	4	M6x15 Allen Bolts
33	8	M8x20 Allen Bolts
34	8	M8 Lock Washers
35	8	M8 Flat Washers



Assembling Your Treadmill

- A. Unpackage the Handlebars
1. Open carton, remove and unpackage all components.
 2. Check to be sure all components are present. The carton contains 1 Left Handlebar(12), 1 Right Handlebar(13), and a hardware kit.
- B. Remove the Original Handlebar End Caps (2) from the treadmill
1. Remove the two screws (27), located under the handlebar, holding the end cap on.
 2. Use a small screw driver to remove the end caps (28).
 3. **The treadmill will need to be raised in the back or laid on its side in order to attach the medical handlebars.** If raising the back end up, it is good to have the back end at least one foot off the ground.



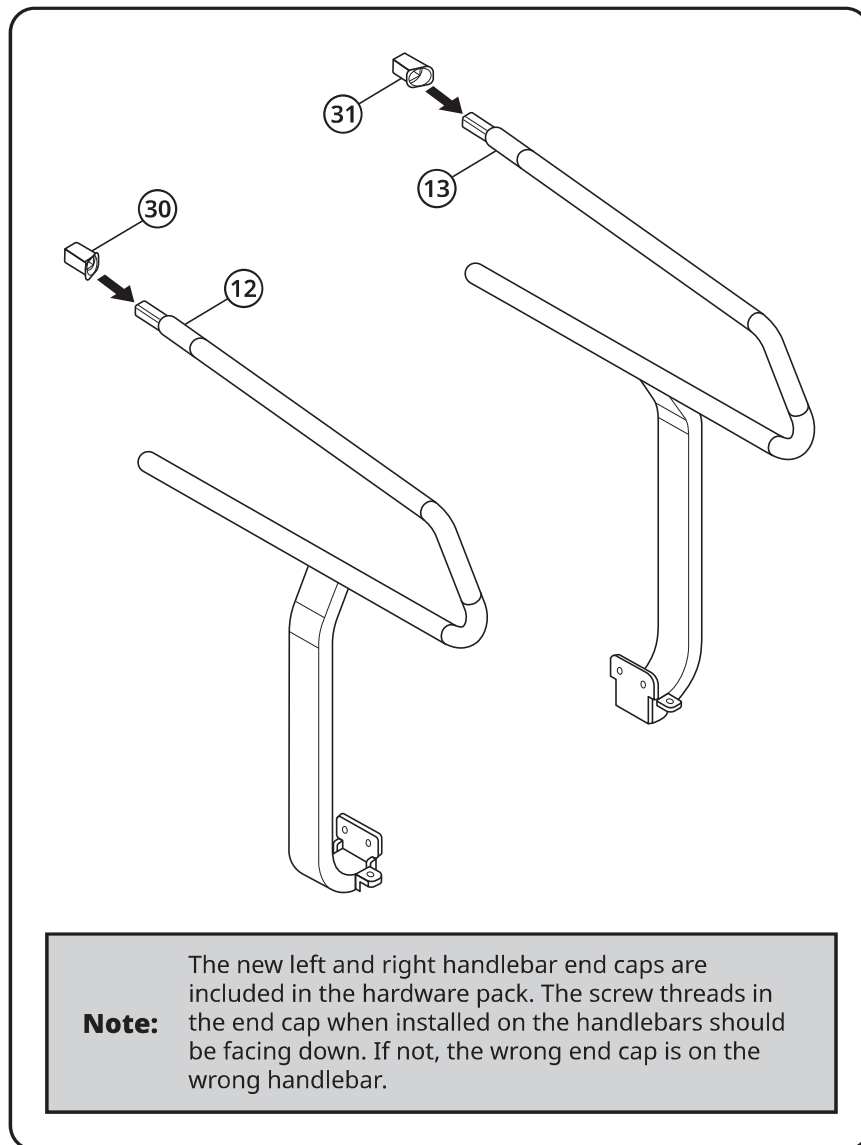
Note:

The assembly instructions are written as if the treadmill is raised in the back.

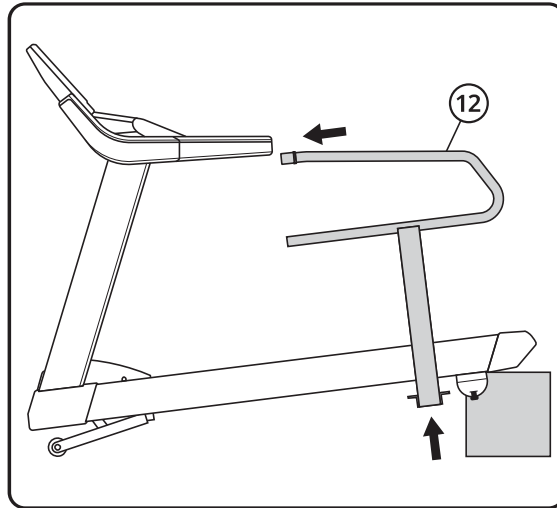
Assembling Your Treadmill

C. Install the Left and Right Handlebars

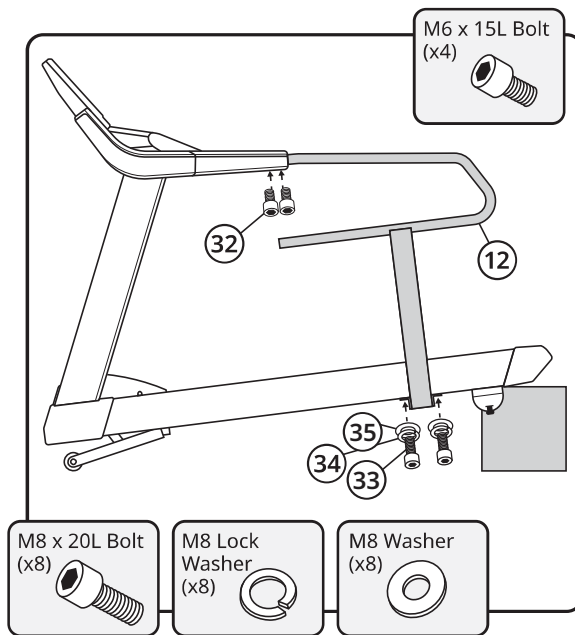
1. Slide the new left handlebar end cap (30) onto the left handlebar (12) and the right end cap (31) onto the right handlebar (13). (FIG. 1).



Assembling Your Treadmill



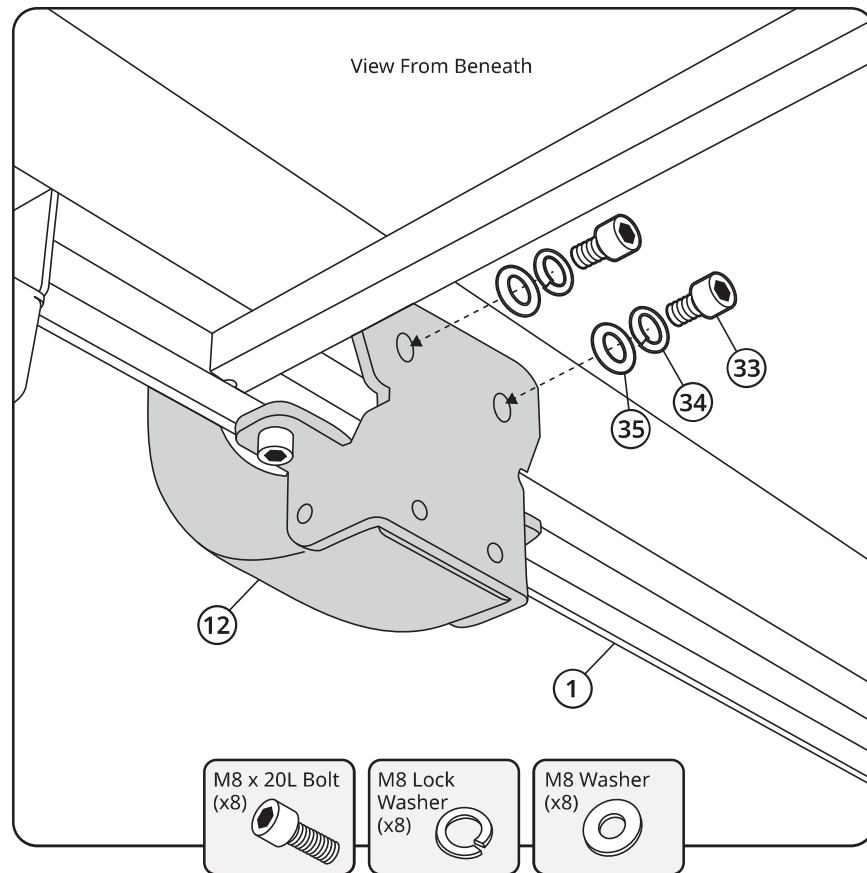
2. Slide the bottom of the left handlebar (12) up under the treadmill lower frame and slide the top of the medical handlebar into the treadmill handlebar frame.



3. Line the holes up in the treadmill handlebar frame with the threads in the new end caps and loosely install the two new M6x15 Allen head screws (32).
4. Align the holes in the medical handlebar frame with the threaded holes in the treadmill base frame and **loosely install** the two M8x20 Bolts (33), two M8 Lock Washers (34) and two M8 Washers (35).

Note: The assembly instructions are written as if the treadmill is raised in the back.

Assembling Your Treadmill

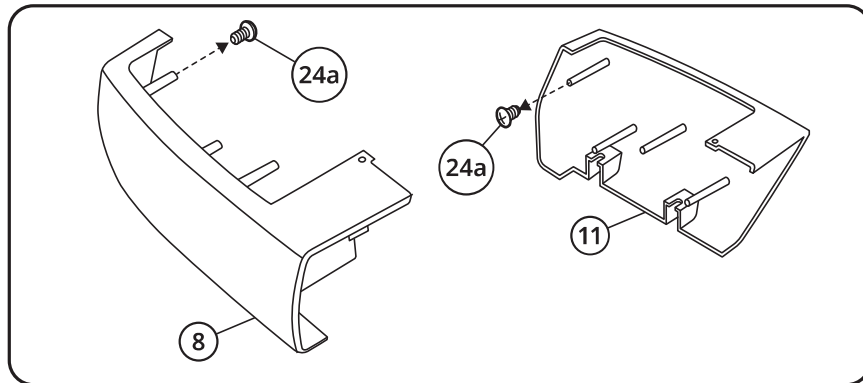


5. Install the two inside frame M8x20 bolts (33), two M8 locks washers (34) and two M8 washers (35).
6. Repeat steps B-E for the Right Handlebar (13).
7. **Tighten all hardware.**

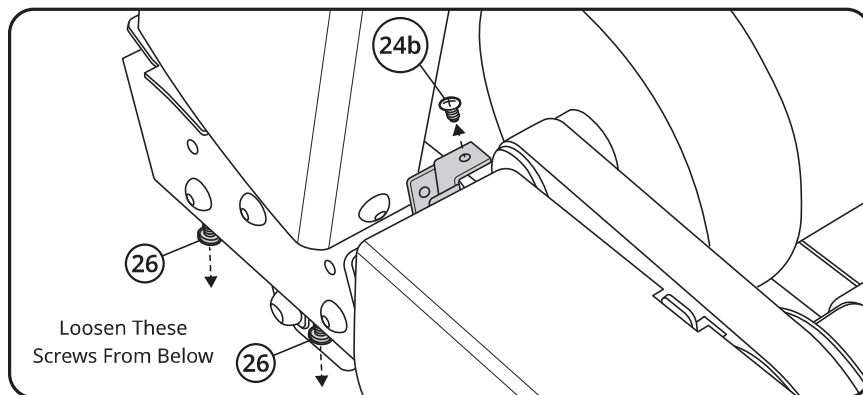
Assembling Your Treadmill

Step 8: Attach Lower Covers

- A. Remove the screw (24a) from each of the right (12) and left (8) support post covers.



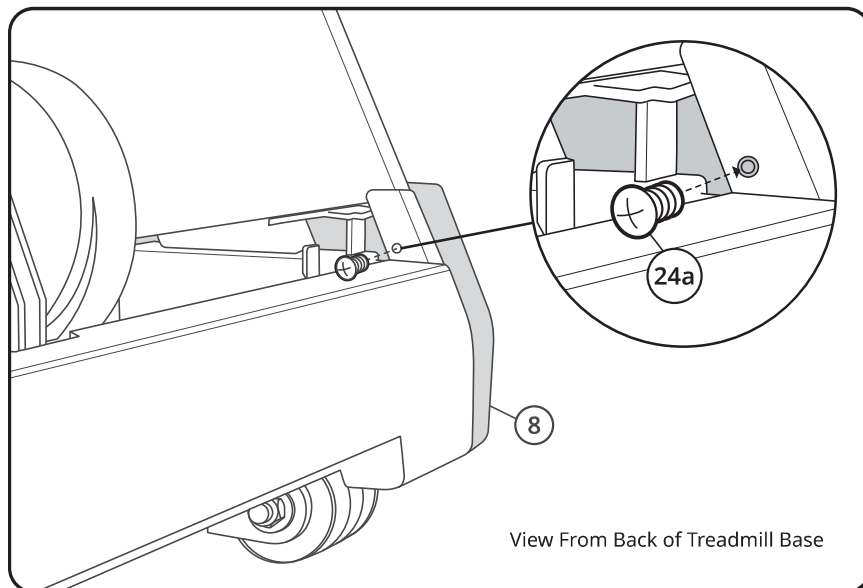
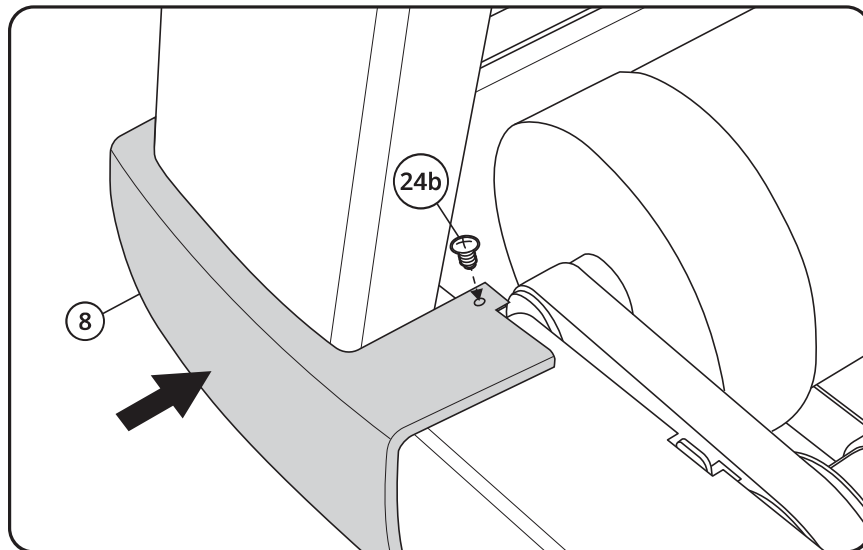
- B. Remove screw (24b) from the inside of the motor compartment on both sides.
- C. Loosen the four screws (26) on the bottom of the frame. Two on each side.



Note: To loosen these screws (26) on the bottom of the frame, it may be easier to plug in the treadmill and raise the incline. This will give more space to get to the screws.

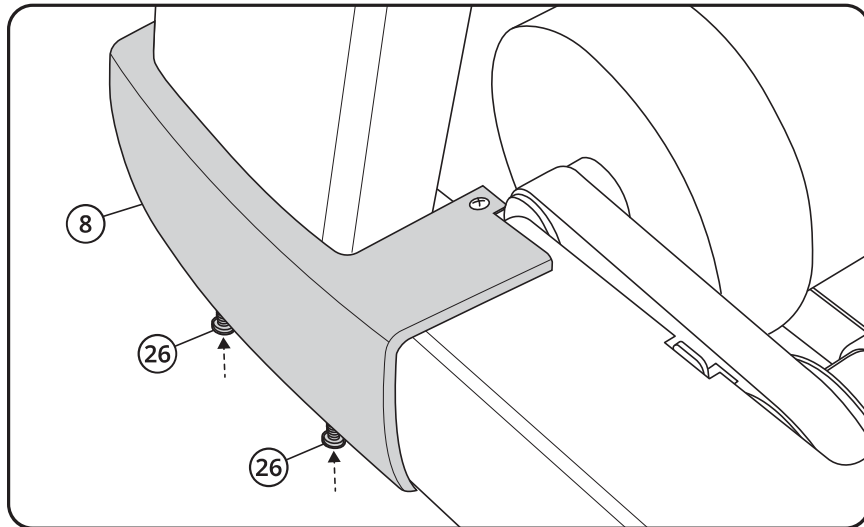
Assembling Your Treadmill

- D. Slide the left upright cover (8) into place. Install the screw (24b) on the inside of the motor compartment that was removed in step 8-B. Install screw (24a) that was removed in step 8-A.



Assembling Your Treadmill

- E. Tighten the two screws (26) on the bottom of the frame from step 8-C.

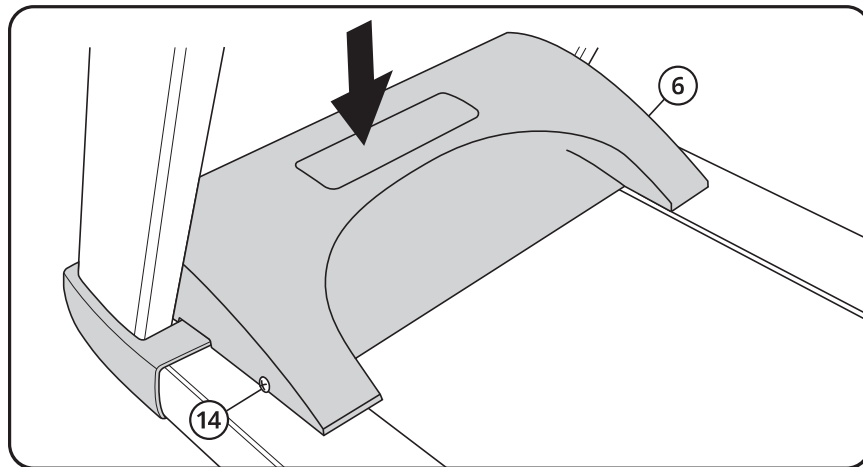


Note: To tighten these screws (26) on the bottom of the frame, it may be easier to plug in the treadmill and raise the incline. This will give more space to get to the screws.

- F. Repeat steps 8-D and 8-E for right upright cover (11).

Assembling Your Treadmill

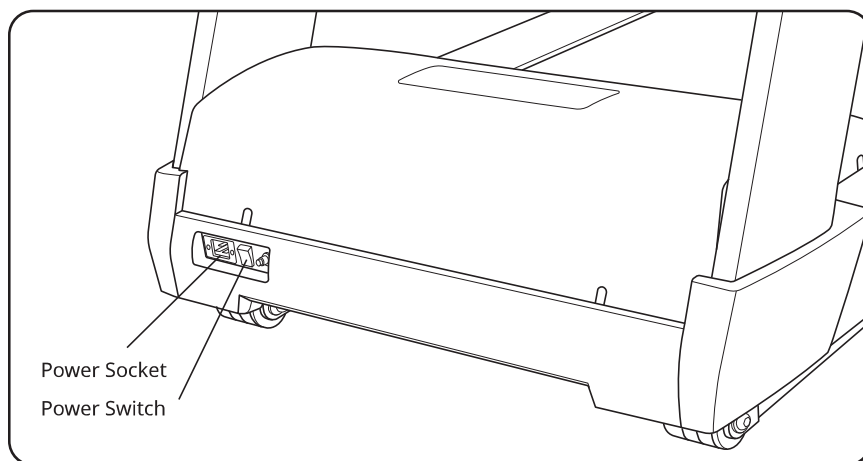
- G. Once the two upright covers are installed, reinstall the motor cover that was removed in step 2 by placing the motor cover (6) so the four screws (14) slide into the cutouts in the cover. Then tighten the screws.



Step 9: Roll the treadmill out of the box

- A. Carefully lift the treadmill up from the back and roll it out of the box..

Step 10 : Plug the power cord in and turn the treadmill on



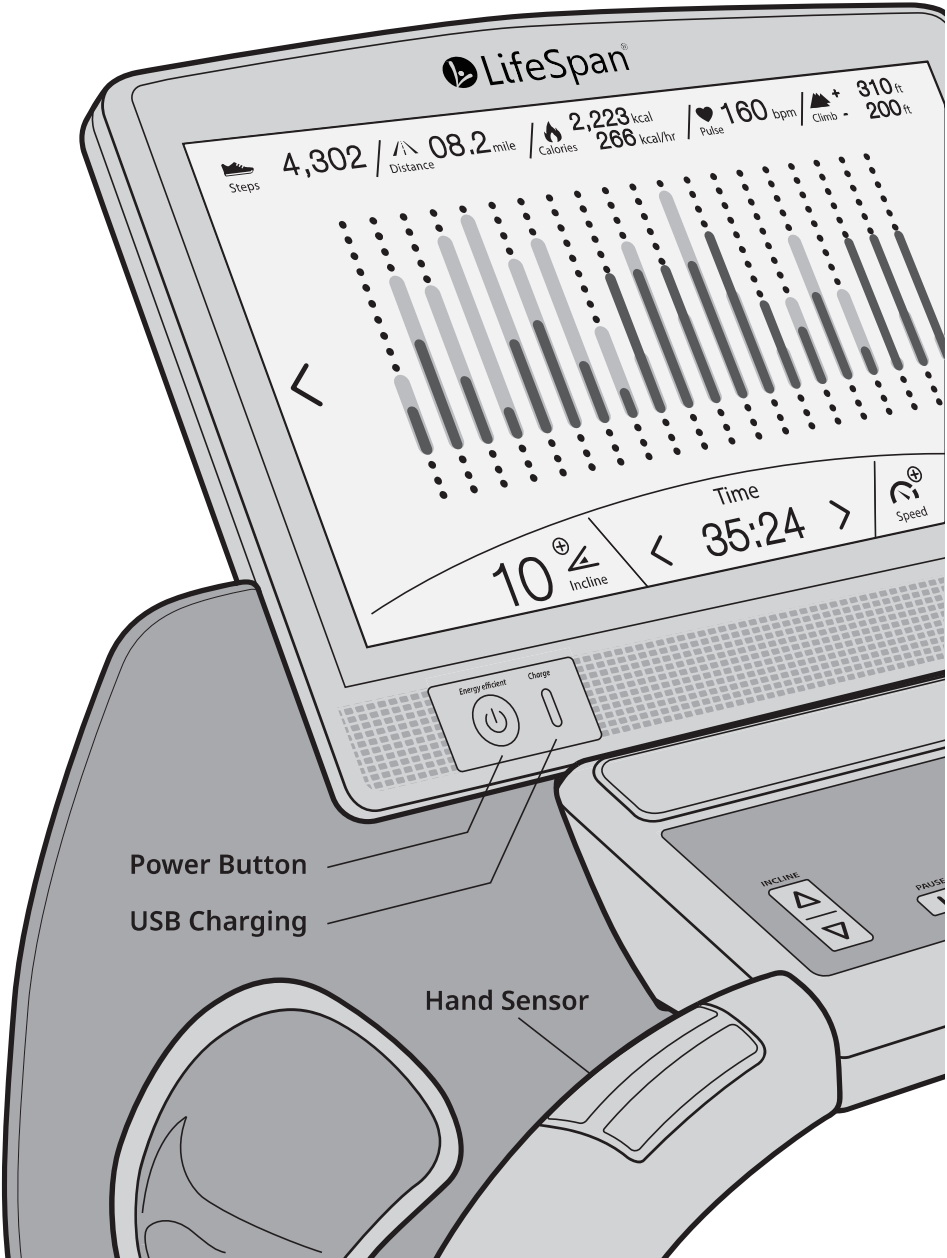
— |

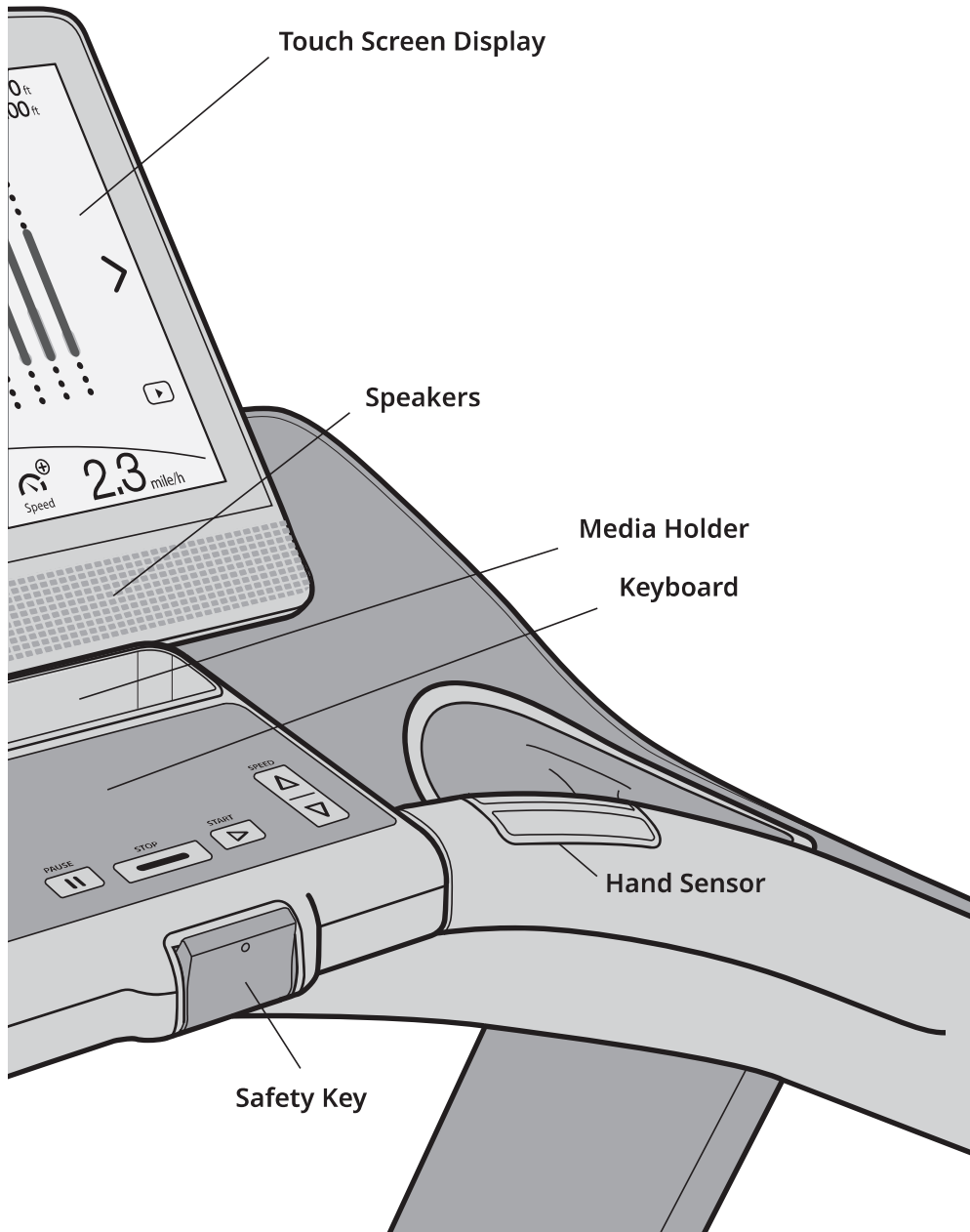
| —

— |

| —

Console Overview

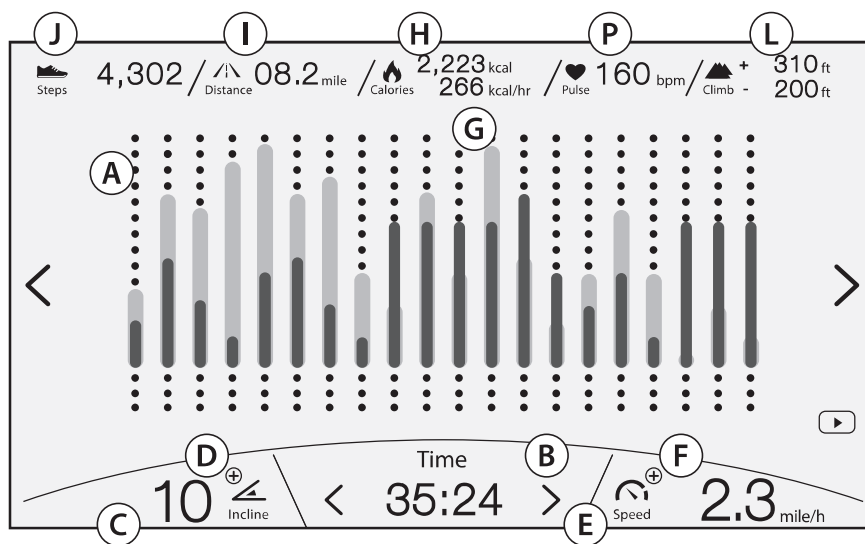




Console Basics

Readout Display

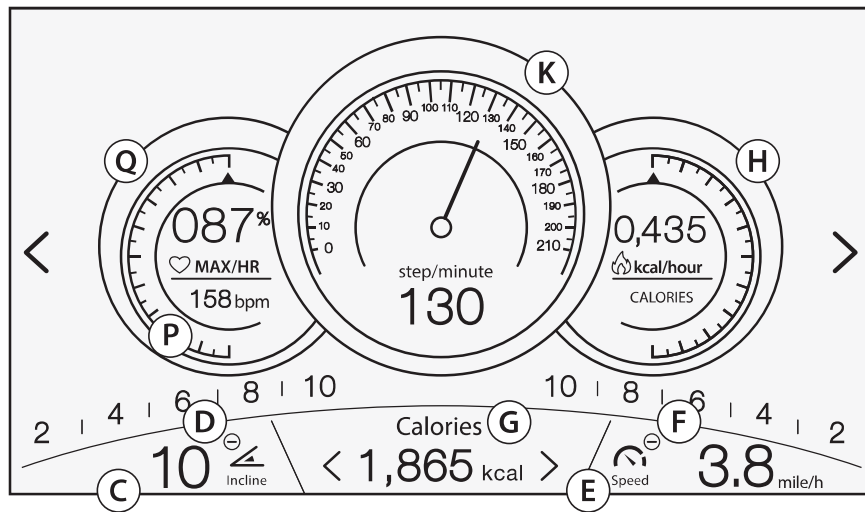
A touchscreen display provides all the information you need to monitor your exercise results and get the most out of your exercise program. Swipe between one of three screens to view your results.



Screen Option 1

- A. **Program Matrix** - Divides the workout programs into 20 segments with varying intensity levels. These programs can be viewed in levels of incline, speed or both.
- B. **Time** - The workout time elapsed or the workout time remaining.
- C. **Incline** - Belt incline range is -3 to +12.
- D. **Incline Quick Key** - Press to select from quick default incline options.
- E. **Speed** - The speed you are traveling in miles per hour (this reading can be changed to kilometers by using the Personal Settings Mode).
- F. **Speed Quick Key** - Press to select from quick default speed options.
- G. **Calories** - Estimated calories burned is calculated by using a widely-accepted equation, using body weight and distance covered.

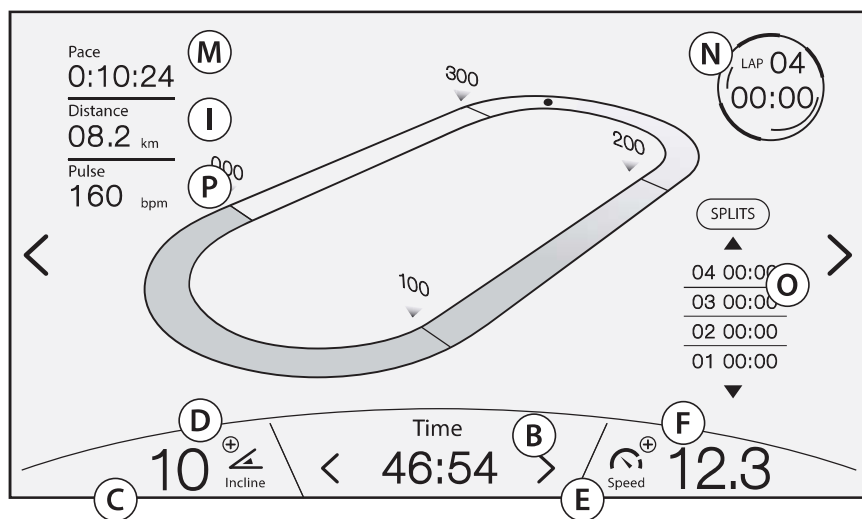
Console Basics



Screen Option 2

- H. **Calories/Hour** - Number of calories burned per hour.
- I. **Distance** - Total distance traveled in miles or kilometers since the beginning of the workout.
- J. **Steps** - Works like a pedometer, counting your steps while you walk.
- K. **Steps/Minute** - Current number of steps being walked per minute
- L. **Feet/Meters Climb +/-** - This is the total feet or meters up or down (based on incline and decline) that you have climbed.

Console Basics



Screen Option 3

- M. **Pace** - The number of minutes it takes to complete a mile or kilometer.
- N. **Lap** - The number of 400 meter laps completed on a track.
Lap Time - Current lap time.
- O. **Splits** - These are one lap splits. In this case a split is the time it took to complete a lap.
- P. **Heart Rate** - Your measured heart rate using the hand pulse sensors located on the front handlebars, chest strap, or armband.
- Q. **% Max Heart Rate** - This is the percentage of your suggested max HR (220 - age).

Console Basics

Indicator icons:



Lube - Every 50 hours of use a pop-up window with a message to lubricate the treadmill belt will show up. This will happen once at 50 hours with the opportunity to choose “Remind me later” or “Done”. If remind me later is chosen, the pop-up will show up again after another hour, with the same options. Once 55 hours is reached a pop-up will show up every time the home screen is displayed, until Done is selected. (Please refer to the Maintenance and tips section for lubrication instructions).



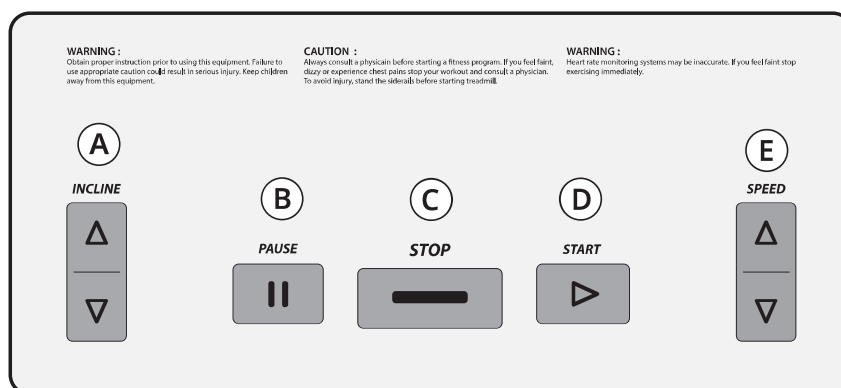
CAUTION: The Intelli-Guard feature will automatically be disengaged when the treadmill is operated at speeds under 1.0 mph (1.6 kph). If the speed is within this parameter “Step” will flash. When the “Step” is flashing, the treadmill will not automatically pause. If the speed is above 1.0 mph (1.6 kph) Intelli-Guard™ will not activate until 25 steps are taken and counted.



CAUTION: At 20 seconds the console will beep once per second for 5 seconds and then automatically pause the treadmill. These beeps are a notice that the treadmill belt is about to stop. If for some reason you are still on the treadmill when this occurs move your feet to the side rails and prepare for the belt to stop. The Intelli-Guard feature does not replace the use of your Safety Key or using proper precaution in stopping the treadmill when it is not in use.

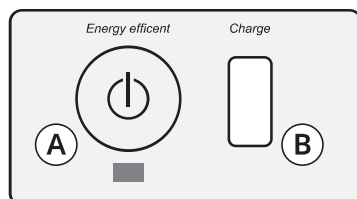
Console Basics

Main Keyboard



- A. **Incline** - Raise and lower the running belt incline.
- B. **Pause** - Pause your workout. The pause time can be set up in equipment settings.
- C. **Stop** - The Stop button will end your workout, taking you to a summary screen.
- D. **Start/QuickSTART** - Begin a Manual Program with one touch.
- E. **Speed** - Increase or decrease belt speed. Press once for 0.1 mph/kph.

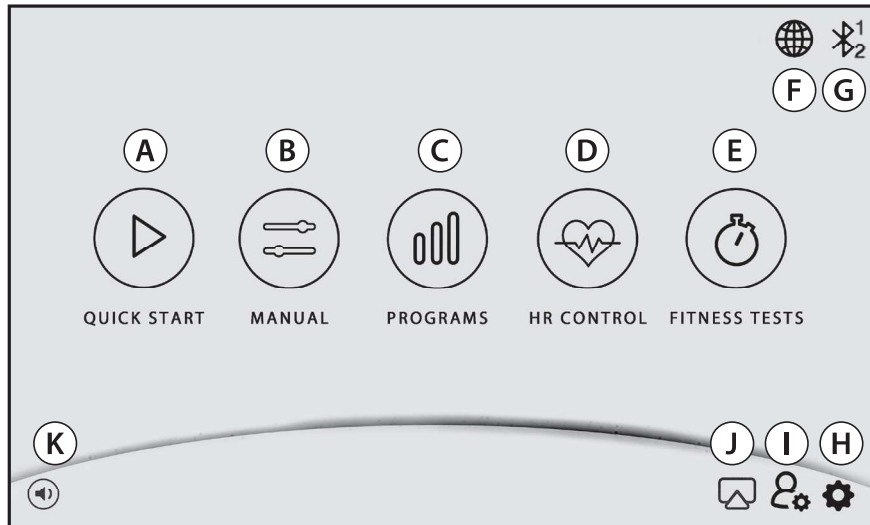
Top Keyboard



- A. **Power** - This button can be used to turn the console "on" from Energy Saving mode and to turn the console "off" when in Standby mode.
- B. **USB Charging Port** - Charges most mobile devices.

Note: Make sure the main on/off switch, located at the front of the treadmill base (near the floor) is on.

Home Screen




- A. **QuickSTART** - This is a manual program that allows you to start and use whatever incline or speed you want for as long as you want to work out.
- B. **Manual** - This program allows you to set a desired workout time as well as setting age and weight for an accurate calorie count and % max HR readings.
- C. **Programs** - These are preset programs where the console will control either speed or incline and you will control the other. You can choose whether you want the console to control incline or speed and then update weight, age and override the default program time if desired.
- D. **HR Control** - There are two Heart Rate Control programs to choose from. Constant Heart Rate allows you to select a Constant Heart Rate for the console to adjust Speed or Incline (you get to choose whether the console controls speed or incline) to keep your Heart Rate at that constant number throughout the entire program. Interval Heart Rate Control allows you to select a high heart rate and a low heart rate. Again, you determine whether the console is to control the speed or the incline to get your HR to the desired numbers. The program will get your heart rate to the high number and keep it there for 2 minutes and then to the low number and keep it there for two minutes. The programs adjusts speed or incline to raise and

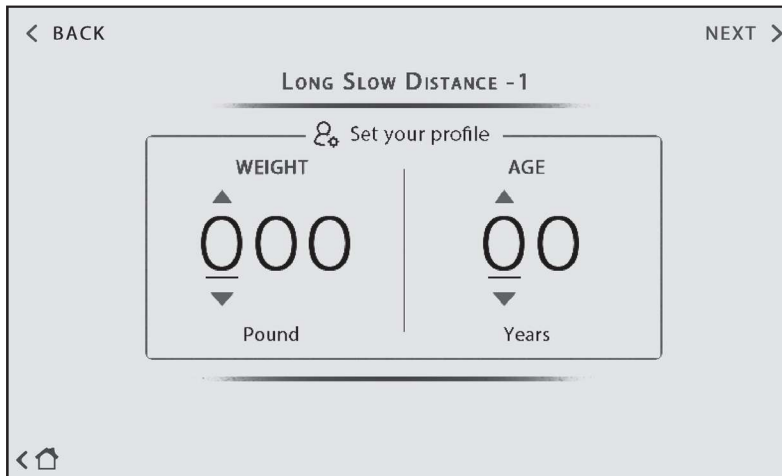
Operations

lower your heart rate to the high and low numbers till the program time is finished. It is best to select a workout time of at least 30 minutes for best results.

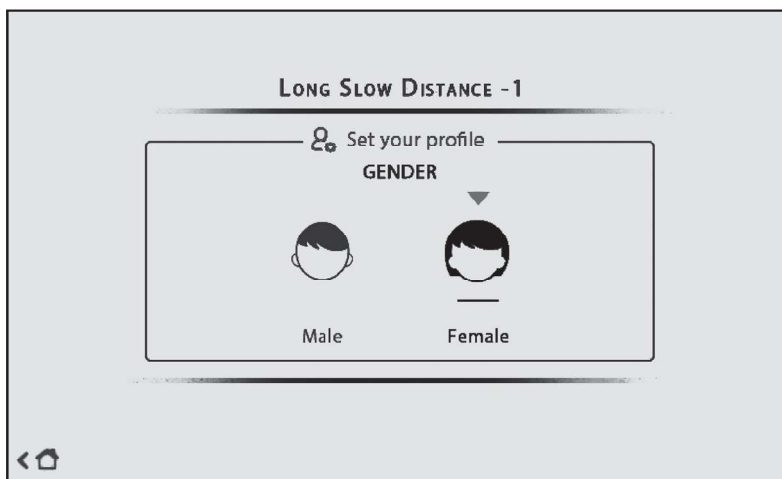
- E. **Fitness Tests** - There are two Fitness tests that can be taken, the Rockport Fitness Test and Navy Fitness Test. The Rockport Fitness test is a test that requires you to walk 1 mile as quickly as you can without running. The Navy Fitness Test requires you to run 1.5 miles as quickly as you can.
- F. **Language Selection** - Tap to select preferred language of English or German.
- G. **Bluetooth Icon** - Activates Bluetooth system.
- H. **Equipment Settings** - Adjust readout data in English or Metric units, and control several other settings. See page 61.
- I. **Personal Settings** - Set your weight, age and gender for more accurate calorie count, % max heart rate readings and for Rockport Fitness test results.
- J. **Screencasting** - Cast media from your smart device to your treadmill screen. The instruction screen will guide you through the process.
- K. **Speaker Volume** - Press speaker and volume slider shows up on screen.

Personal Settings

The TR7000iM comes with the ability for you to personalize several console settings. To make adjustments to your personal settings, simply touch the  Icon in the lower right corner of the touch screen.



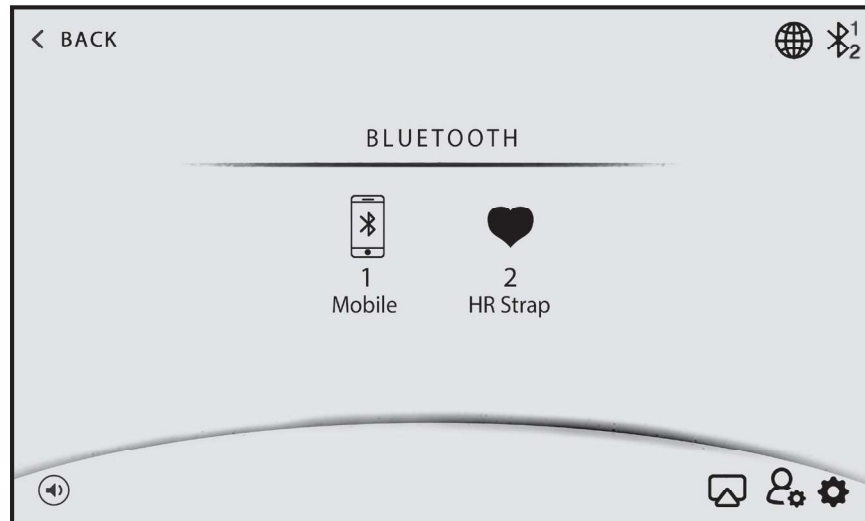
1. **Weight** - Enter your weight.
2. **Age** - Enter your age. Press Next.



3. **Gender** - Enter your gender.
- Press the Home Icon in the lower left to return to the Home Screen.

Operations

Bluetooth Speaker or Heart Rate Strap Setup

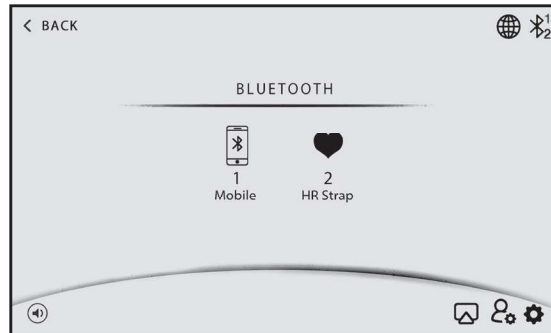


Bluetooth Speaker Screen Step 2

To Set up your Bluetooth Speaker:

1. Press the Bluetooth button on the home screen.
2. Press the Mobile button.
3. The console will say Ready to Pair.
4. Open Bluetooth settings on your mobile device and search for devices.
5. Select LifeSpanAUD_0000 – The last 4 digits are unique numbers – these numbers are just there so you can determine which treadmill you are trying to connect to if you have more than one treadmill in your home.
6. Once your mobile device is paired to the console, the console will say Pair completed.
7. Turn on your favorite music and start your workout.

Operations



To Set up your
Bluetooth Heart
Rate Chest Strap
or Arm Band:



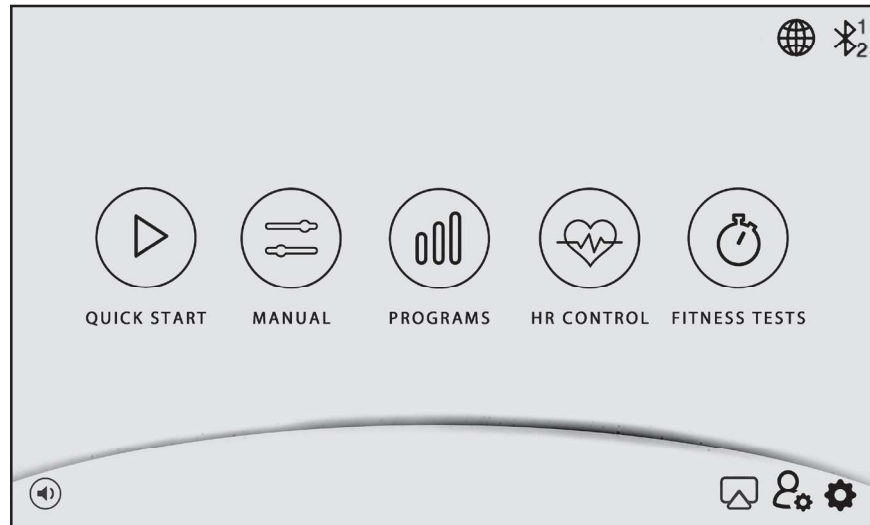
Bluetooth Heart Rate Screen Step 3

If you have purchased a Bluetooth Heart Rate Chest Strap or Arm Band from LifeSpan, the device should automatically connect based on proximity to the console. If for some reason a connection isn't found or for those using a Bluetooth device not purchased from LifeSpan please follow these steps:

1. Press the Bluetooth button on the home screen.
2. Press the HR Strap button.
3. A pop-up screen showing active Bluetooth devices will be displayed.
4. Select your Bluetooth device.
5. The screen will show Connecting. Once connected the screen will go away.

Operations

Quick Start



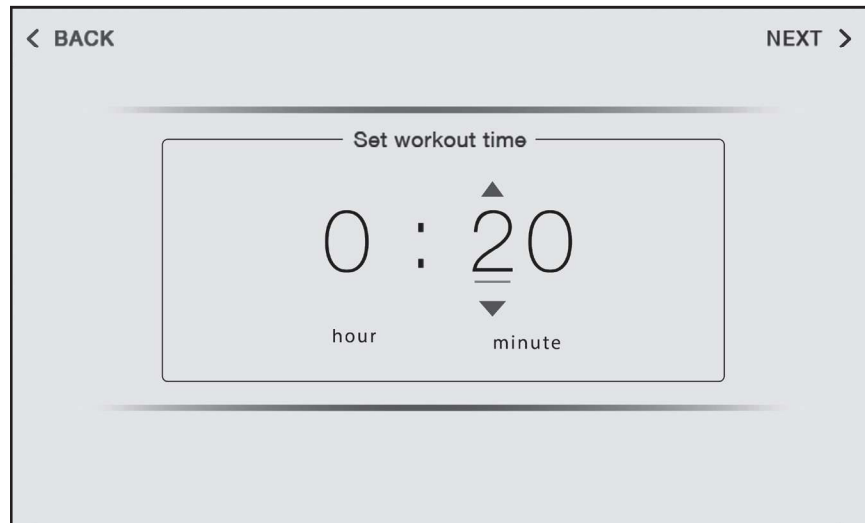
To just start working out without any setup, simply press the Quickstart button on the home screen and a countdown will begin to start your workout.

When using QuickSTART, the time will count up from 0:00 keeping you fully in control of the speed and incline. When finished press Stop to go to the summary screen.

Operations

Manual Program

This is very similar to the QuickSTART program, but with this program you can set a workout time and setup personal settings to be sure to get an accurate calorie count. The program will end when your set time has been reached or the Stop button is pressed.



Manual Program Screen Step 2

1. Press Manual on the touch screen.
2. Set Workout time and press next.
3. Set Weight and Age and press next.
4. Press Start to begin workout.
5. The treadmill will start at 0.5 mph and 0 incline.
6. Adjust the speed and incline as needed.
7. Once your set time is reached, the manual program will end, and a summary view will pop-up.
8. You have the opportunity to go to the home screen.

Operations

Preset Programs

There are several programs available to help add structure and variety to your exercise program. These programs are grouped into 4 basic groups, Weight Loss, Sport Training, Healthy Living and Custom. For all but the Custom Programs follow the steps below:



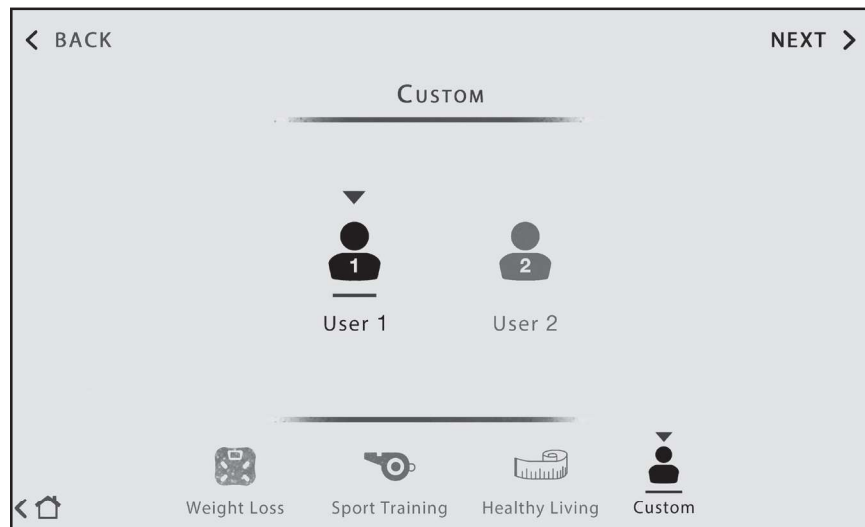
Programs Screen Step 1

1. Select a program group by touching the group on the touch screen. By default Weight Loss is selected.
2. Select a program within the selected group by touching the desired program and press next.
3. Select Speed or Incline Mode – You can choose to run each program in either Speed or Incline mode. Simply touch speed or incline to select and press next.
4. Set Program Level – There are 3 levels of intensity with each preset program (1 being the easiest and 3 being the most difficult). Simply touch the desired intensity level and press next.
5. Set Time – Set the program Time of your workout. Use the touch screen to adjust the desired workout time and press next.
6. Set Weight and age – Set your Weight for a more accurate calorie calculation. Also, set your age for heart rate calculations and press next.
7. Press Start to begin workout.

Operations

Custom User Set-up Programs

There are 2 user programs that provide you with the ability to establish customized program profiles specific to your workout requirements. Once these programs are completed they are saved by the console and can be selected like any other preset program. Complete the following steps to set up a user program:

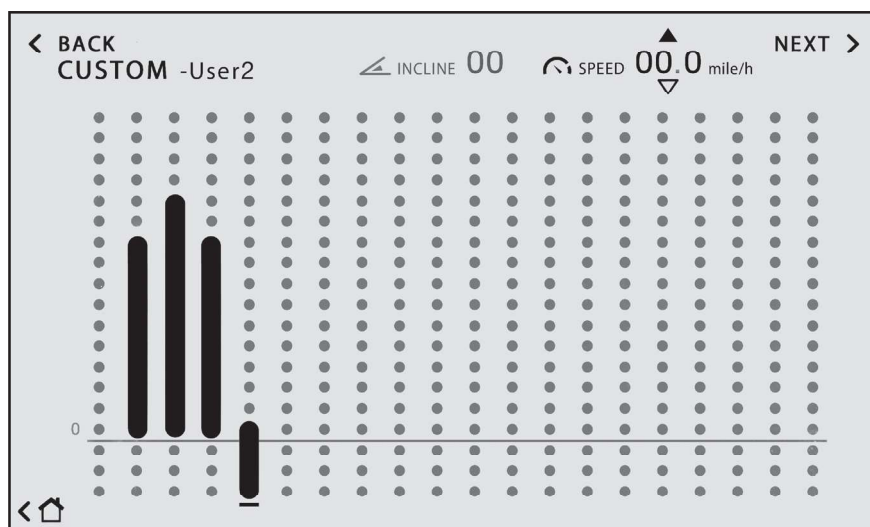


Manual Program Screen Step 3

1. Select Programs from the touch screen.
2. Select the Custom program group from the bottom of the screen.
3. Select User 1 or User 2 and press next.
4. Set Time – Set the amount of time that you would like to workout and press next.
5. Set Weight and Age – Set your Weight for a more accurate calorie calculation. Also, set your age for heart rate calculations and press next.

Operations

Custom User Set-up Programs (Cont.)

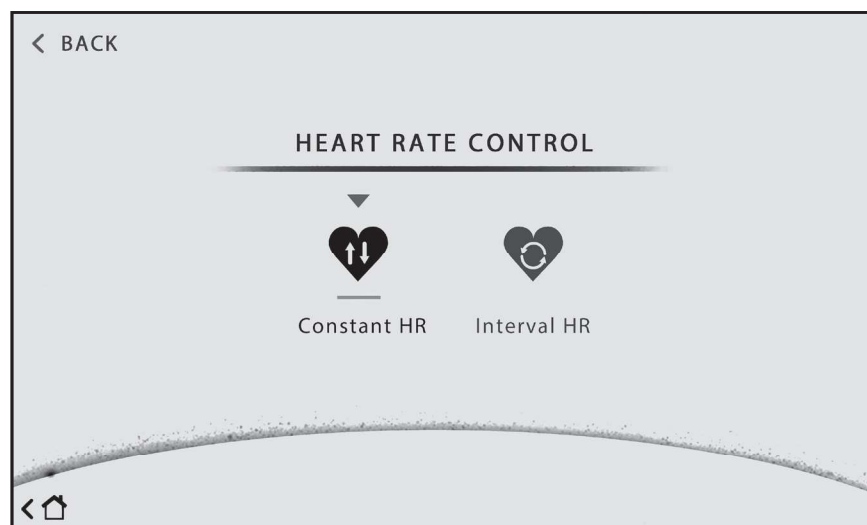


Programs Screen Step 6

6. Set the desired Speed and Incline for each of the 20 segments in the workout. Simply touch the screen in each column or slide your finger up or down in the column to get to the desired Speed or Incline. For Speed, there are up and down arrows at the top of the screen when the selected speed is being shown. Use these arrows to fine tune the speed in tenths of a mile/kilometer per hour. Speed is highlighted by default to adjust first. Once speed is selected for each segment, touch the Incline selection and adjust each of the 20 segments for incline. Switch back and forth between speed and incline until the desired speed and incline are selected. Once finished press next.
7. Press Start to begin workout.

HRC - Constant

The Constant Heart Rate program lets you select a single heart rate that you want to maintain throughout your workout and the treadmill will maintain this heart rate for you by either adjusting the speed or incline.



Showing Screen for Step 6

1. Select HR Control from the Home Screen.
2. Select Constant HR and press next.
3. Choose to have the program adjust Speed or Incline and press next. The treadmill will adjust the speed or incline every 10 seconds to keep you at your selected heart rate level. For instance, if you select the incline mode, there will be a 3-minute warm-up and then the incline will start to adjust each 10 seconds to obtain and maintain your target heart rate. You choose the speed that you want the belt to run and the treadmill will control the incline.
4. Set Time – Set the amount of time that you would like to work out and press next.
5. Set Weight and age – Set your Weight for a more accurate calorie calculation. Also, set your age for heart rate calculations and press next.
6. Select your constant Target Heart Rate and press next.
7. Press Start to begin workout.

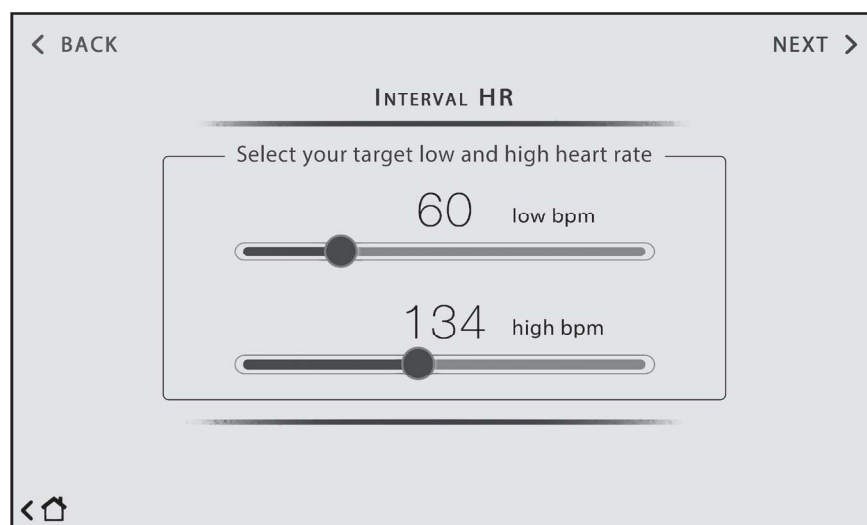
Operations

HRC - Interval

The Interval Heart Rate program is designed to help you increase anaerobic endurance and improve heart rate recovery. The program lets you select both a High target heart rate and a Low recovery heart rate.

After a 3-minute warm-up, the console will adjust the incline or speed (your choice) every 10 seconds until you reach your High target heart rate. It will keep you there for 2 minutes. Then it will adjust incline or speed every 10 seconds to reduce your heart rate to your Low recovery level, then keep you there for 2 minutes. This repeats until the end of your workout.

It is recommended that you set the workout time to 30 minutes or longer to use this program effectively.

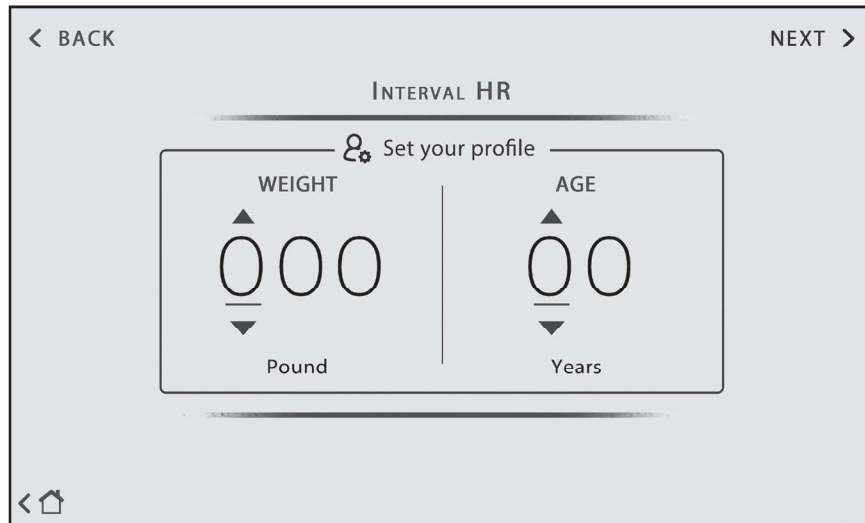


Showing Screen for Step 2

To use this program:

1. Select HR Control from the Home Screen.
2. Select Interval HR and press next.
3. Choose to have the program adjust Speed or Incline and press next. The treadmill will adjust the speed or incline every 10 seconds to keep you at your selected heart rate level. For instance, if you select the incline mode,

Operations



Showing Screen for Step 5

there will be a 3-minute warm-up and then the incline will start to adjust each 10 seconds to obtain and maintain your target heart rate. You choose the speed that you want the belt to run and the treadmill will control the incline.

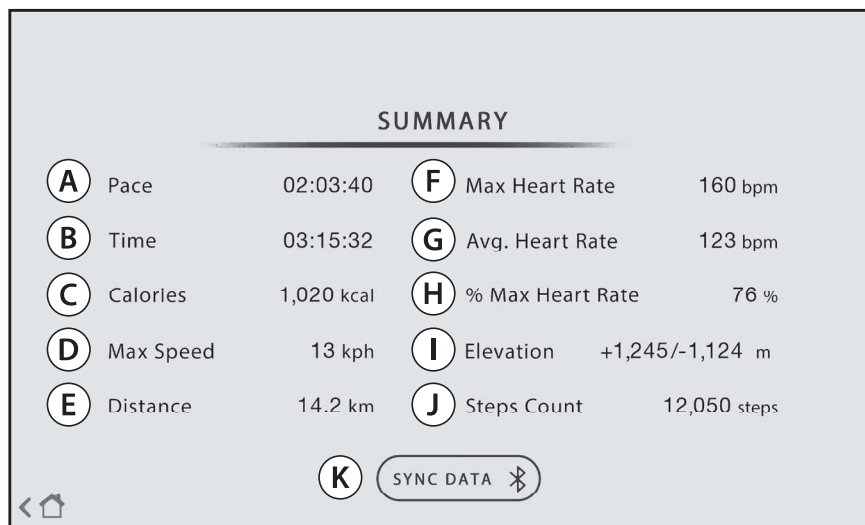
4. Set Time – Set the amount of time that you would like to work out and press next.
5. Set Weight and Age – Set your Weight for a more accurate calorie calculation. Also, set your age for heart rate calculations and press next.
6. Select your Target Low and High Heart Rate and press next.
7. Press Start to begin workout.

⚠ WARNING: Heart rate monitoring may be inaccurate. Over exercising may result in serious injury or death. If you feel faint stop exercising immediately.

Operations

Summary

When your workout is finished, or stop is pressed, a Summary screen will be displayed.



Summary Screen

- A. **Pace** - The average number of minutes it took to complete a mile or kilometer.
- B. **Time** - The total workout time.
- C. **Calories** - Total Calories burned.
- D. **Max Speed** - The highest speed achieved during the workout.
- E. **Distance** - The total distance traveled during the workout in Miles or Kilometers.
- F. **Max Heart Rate** - The highest heart rate reading during the workout.
- G. **Avg. Heart Rate** - The average of heart rate readouts throughout the workout.
- H. **% Max Heart Rate** - This is the percentage of your suggested max HR (220 - age).
- I. **Elevation +/-** - The number of feet or meters climbed and descended during the workout.
- J. **Step Count** - The total number of steps taken during the workout.

Operations

- K. **Sync Data** – Allows you to sync your workout data with your LifeSpan app.
 1. Download the LifeSpan app from the App Store or Google Play.
 2. Sign in to the app.
 3. Press the Sync Data button.
 4. Hold your phone next to the console.
 5. The workout data will sync to the app and the console will reset to the home screen.

Operations

Screencasting

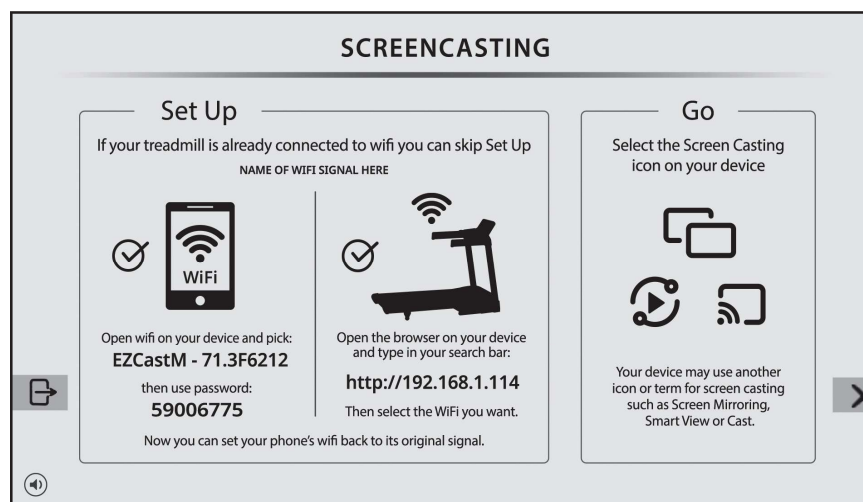
Screencasting is the term being used to describe the process of watching videos on your treadmill by casting them from your smart device.

Getting Started

On the home screen press this icon  located on the bottom right.

Instruction Screen

This screen is divided into two parts, Setup and Go.



Instruction Screen

Setup

This process uses your phone as a tool to help the treadmill setup its wifi connection.

This setup process needs to be done only once. You can repeat this process in the future if you would like to reselect a different wifi signal for your treadmill.

Step 1: Connect your smart device to the treadmill by opening up your wifi settings. Look for a network that starts with the name EZCast. The full name of the EZCast signal will appear on your treadmill screen. Make this selection on your smart device. If needed, use the password that is displayed on your

Operations

treadmill screen to finish establishing the link between your smart device and the treadmill. When complete a checkmark will appear on screen.

Step 2: The second part of the setup process starts automatically. The treadmill will look for a wifi signal and connect to it. When done, a checkmark will appear on your screen. To see which signal the treadmill has connected to, open the browser on your smart device and type in the IP address that is displayed on the screen of your treadmill.

This will open up a web page that allows you to see and change the wifi signal your treadmill is using. Tap the row selection for internet and a drop-down menu will show you what other wifi options you have to choose from.

Please note that this second part of the setup process changes the wifi signal your treadmill is using. Repeat the process of using the IP address in the browser of your smart device. You can revisit this process and reselect the treadmill's wifi signal anytime.

After you have completed Setup, open your wifi settings again on your smart device and reselect the original wifi signal you had before.

Using your smart device as a wifi source: If your treadmill is not able to find a wifi signal you can use your smart device as the source. Keep your smart device's wifi network connected to the treadmill's EZCast signal. Please be aware that this may use your cellular data if your smart device is not connected to wifi.

Go

Select the screencasting icon on your smart device to start watching videos on your treadmill. Different terms are used by different brands to describe screencasting.

 iPhone: Screen Mirroring

 Samsung: Smart View

 Google/Android: Cast

If you are not familiar with the terminology your smart device uses for screencasting, do a quick search on the internet to find out.

After you have selected the screencasting icon on your device, select the EZCast signal. This will establish a connection from your smart device to the treadmill. The screen of your smart device will now show up on your treadmill's screen.

Operations

ScreenCast Faster

Now that you have the basics down, let's put it to the test.

With Setup completed, you can skip directly to the Go section. Locate the screencast icon on your smart device, open it, and select the EZCast signal.

The screen of your smart device will show up on the treadmill's screen.



WARNING: It is advised that you setup screencasting before starting any type of workout. Trying to set up screencasting while walking or running may result in injury.

Safe Workouts

Before starting your workout, setup screencasting first.

When you begin your workout you will see a play button on the right side of your treadmill's console screen. Tap this button and your video will show up while still being able to see your workout information overlaid on the top and bottom of the screen.

Tap it again and your workout stats will disappear while the video occupies the full screen of your treadmill. To get your stats back press the button again.

On the left side of your screen is a red button that will restore your full workout screen. If you'd like to see your video again, just press the play button on the right side of the screen.

This provides alternative ways to check on your workout progress when you want, and get back to your video.



WARNING: When your workout is done, wait for the treadmill belt to come to a complete stop before stopping the video on your smart device.

When Your Workout Is Complete

When you are done with your workout wait for the treadmill belt to come to a complete stop before you:


Stop playing videos on your smart device.

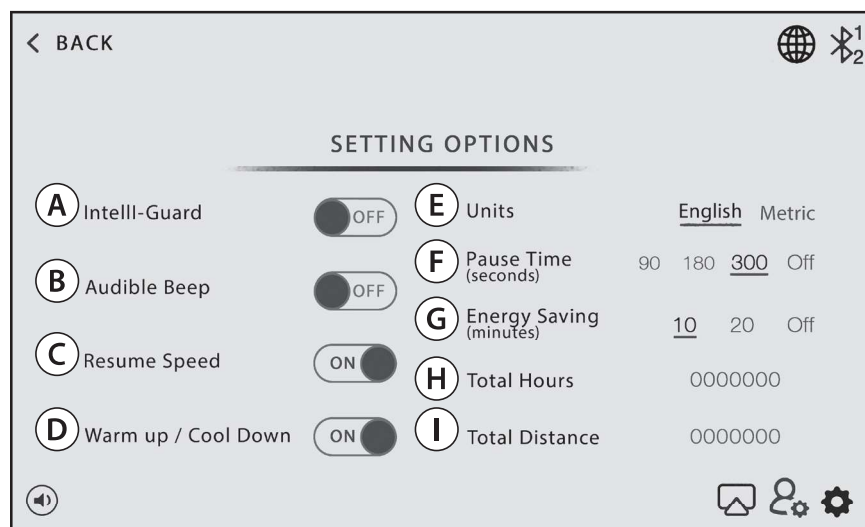
Stop screencasting from your smart device.



Operations


Equipment Settings

You have the ability to customize several console settings. To make these adjustments simply touch the  icon in the lower right corner of the touch screen.



Personal Settings Screen

- A. **Intelli-Guard™** - This feature is triggered when the treadmill senses you are no longer walking or running. For safety purposes it automatically pauses the belt to avoid accidental falls resulting in possible injury. There are several factors that affect the accuracy of this feature including your walking style, weight and usage characteristics. While we don't recommend it, this feature can be turned off if required.
- B. **Audible Beep** - Turns off the audible alert that beeps for speed and incline changes or when the treadmill is starting or stopping.

 **WARNING:** The audible alert is turned on from the manufacturer to warn you that the treadmill is starting or the speed is changing. Turning this alert off is done your sole discretion.

Operations

- C. **Resume Speed:** Turning resume speed on allows the treadmill to restart (after a pause) at the same speed it was going prior to pressing pause. When turned off, the speed resumes at the minimum speed, usually around 0.5 mph/0.8 kph.
- D. **Warm up/Cool Down:** This feature automatically adds a 3 minute warm-up and 3 minute cool down to the Treadmill Preset Programs. It is turned on by default, but if the warm up/cool down feature is not desired, simply turn it off.
- E. **English or Metric** - Used for both Speed and Distance in miles or kilometers shown on the display.
- F. **Pause Time** - The number of seconds the treadmill will Pause before going into Standby Mode or to the home screen. This feature can also be turned off entirely. If turned off, the treadmill will not go into energy saving mode while the treadmill is paused.
- G. **Energy Savings** - Turn Energy Saving On or Off. Energy saving mode will shut down most electronics on the treadmill, which in turn conserves energy.
- H. **Total Hours** - The total number of hours the treadmill has been run.
- I. **Total Distance** - The total number of miles/kilometers the treadmill has run.

Operations

Program Profiles

There are numerous programs available to help you add structure and variety to your exercise program.

Preset Programs

Remember, if you simply get on your treadmill and go at the same pace, for the same amount of time everyday your body will only improve to the level of the workouts you are pushing yourself to do. To help get the most out of your time spent exercising, LifeSpan treadmills include a full range of workout programs. All programs are available in either "Speed" or "Incline" mode with 3 levels of intensity that you select during program set-up. When the "Speed" mode is selected, the belt speed will vary during your workout while the incline level stays constant. In "Incline" mode the speed remains constant while the incline is adjusted by the program. In either mode you have full control of the setting that is not being controlled by the program.

To complement these preset programs you also can design your own Custom User Program or use either of the two types of Heart Rate Control training programs.

Custom User Programs

There are two user programs that provide you with the ability to build custom program profiles for your specific workout requirements. In Custom User Programs you set the workout time and then for each of the 20 program segments you set the speed and incline. This program is different than our preset programs in that both speed and incline can be controlled simultaneously. As such, the program matrix display readout will show both incline and speed at the same time with the incline on the left portion of the matrix and the speed on the right portion of the matrix.

Operations

Heart Rate Control Programs

Constant Heart Rate

The Constant Heart Rate program is a steady state program that lets you select a single heart rate to maintain throughout your workout. The treadmill will adjust the belt speed or incline every 10 seconds during the workout to maintain your heart rate close to the target you've selected.

Interval Heart Rate

The Interval Heart Rate program is designed to help you increase anaerobic endurance and improve heart rate recovery. The program lets you select both a High target heart rate and a Low recovery heart rate.

After a 3-minute warm-up, the console will adjust the incline or speed (your choice) every 10 seconds until you reach your High target heart rate. It will keep you there for 2 minutes. Then it will adjust incline or speed every 10 seconds to reduce your heart rate to your Low recovery level, then keep you there for 2 minutes. This repeats until the end of your workout.

It is recommended that you set the workout time to 30 minutes or longer to use this program effectively.

Note: Remember that the console needs to receive your heart rate through the grip pulse or a heart rate chest strap during the course of the workout.

Operations

Preset Program Operation

To use one of the Preset Programs follow the steps below:

- A. **Select Program** – Press the + / - buttons on the keyboard to cycle through the program list, or use the Program Buttons to find your desired program then press Enter to complete the selection.
- B. **Select Speed or Incline Mode** – You can choose to run each program in either Speed or Incline mode. Press the +/- buttons on the keyboard to make your selection and then press Enter.
- C. **Set Program Level** – There are 3 levels of intensity with each preset program (1 being the easiest and 3 being the most difficult). Press the Speed +/- buttons to select the desired level then press Enter.
- D. **Set Time** – Set the program Time of your workout by pressing the Speed +/- buttons then press Enter.
- E. **Set Weight** – Set your Weight in the console for more accurate calorie calculation by pressing the Speed +/- buttons then press Enter.
- F. **Press the Start Button** – to begin your workout.

Preset Programs

Long Slow Distance

(40 minutes default)



Long slow distance is a great workout for anyone! Beginners can ease into their exercise program and should include a long slow distance workout each week to maximize overall cardiovascular endurance development. Long slow distance workouts are also great for experienced exercisers on days following a harder, higher intensity workout.

Short Interval

(20 minute default)



Short intervals are ideal for beginning exercisers that want to start gaining the benefits of interval workouts but aren't quite ready for a longer-intensity interval workout. Short intervals are also ideal for experienced exercisers to develop their speed and anaerobic fitness. Remember, it's important to vary exercise intensity and duration to maximize overall fitness development so be sure to include some interval workouts at least once a week.

Operations

Moderate Interval

(30 minute default)



As you begin to exercise on a regular basis and feel your fitness improving you will be ready to begin doing "Moderate Intensity Interval" workouts. Remember in this workout you alternate between an easy recovery interval and a higher intensity interval. You should feel comfortable to push yourself as you are never too far away from an easier recovery interval. This workout will improve your overall aerobic endurance while also maximizing anaerobic fitness development.

Long Interval

(40 minute default)



Long Interval workouts are great to maximize calorie burn and improve anaerobic fitness. As in the moderate interval workouts, remember you have a recovery period after each higher intensity interval so you can comfortably push yourself to exercise at a progressively higher level.

Negative Interval 1

(30 minute default)



The Negative Interval-1 workout provides the benefits of a steady pace workout but pushes you to slowly obtain a progressively higher steady state exercise intensity and then allows you to slowly decrease the exercise intensity. As your fitness level improves, you can slowly push yourself to a higher peak in overall exercise intensity.

Negative Interval 2

(30 minute default)



The Negative Interval-2 workout has been designed to provide your body with a workout that begins with a slight increase in exercise intensity and ends with a progressive decrease in intensity. A workout with an increase and decrease in intensity will most ideally develop your overall aerobic cardiovascular endurance. A workout that decreases in intensity is also ideal for maximizing calorie burn, but most ideally when done for a longer duration, such as 40 or 50 minutes.

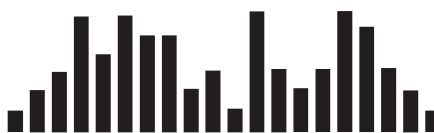
Operations

Fartlek

(30 minute default)

Varying your exercise intensity with a constantly changing interval workout

that starts out at an easy pace and then increases to a moderate or higher intensity pace will add variety into your workouts, make workouts go by faster and provide great fitness benefits. Constantly varying intensities in a workout have been found in brain research to have great benefits on improving overall brain fitness.



Uphill Climb

(30 minute default)

Gradually increase the intensity of your exercise with this fun uphill

climb workout. The goal of the uphill climb is to stimulate your body to improve overall cardiovascular fitness while maximizing muscle cell development in working muscles. You will maximize calorie burn during the peak levels while allowing your body to exercise longer and still benefit from the higher intensity as you slow down and return to your starting level.



Pyramid Climb

(30 minute default)

Gradual increases in intensity is ideal to stimulate your body to improve

overall cardiovascular fitness, while also maximizing muscle cell development in working muscles. You will maximize overall calorie burn during the peak intensity levels while allowing your body to exercise for a longer duration and still benefit from the higher intensity as you gradually slowdown.



Plateau Climb

(40 minute default)

A plateau climb workout will provide you with all the benefits of other

steady state workouts, but push you to maintain a higher steady state exercise level. As you improve your overall health and fitness you can slowly push to a higher overall intensity for longer periods of time.



Operations

Ladder

(30 minute default)

One of the greatest benefits of exercise are the direct benefits

exercise has on the heart and cardiovascular system. The heart health ladder has been specifically designed to provide your heart and cardiovascular system with a series of progressively harder exercise intensity's that will improve your overall aerobic endurance, while also stimulating anaerobic endurance. Remember that it may be challenging for a few minutes, but each progression has been carefully designed to provide recovery intervals so you can push to improve your cardiovascular fitness.



Uphill Interval

(20 minute default)

Uphill Interval workouts are unique

in that they provide your body with the benefits of an interval workout, with the added benefits of gradually increasing the overall intensity. In this workout you should begin at a level that is comfortable and then increase the intensity during each maximum interval, pushing to a slightly higher intensity each time. You will get maximum overall calorie burn during of the higher intensity intervals, while at the same time working on improving your overall anaerobic fitness.



Steady Pace

(40 minute default)

Improve your fitness while also simulating your body to burn more fat with this workout. Steady pace workouts are great for helping you establish an improved overall endurance base. Most "Steady Pace" workouts focus on maintaining one set workload throughout the entire workout. Your goal is to be sure you are exercising within a low moderate intensity to a high moderate intensity during the workout.



Long Slow Distance 2

(40 minute default)

Compared to the long slow distance

1 program, this workout expedites the rate of increasing exertion, allowing for more workout time to be spent at higher levels of intensity.



Operations

Cardio Run

(20 minute default)



Cardio run is a steady pace workout but at a higher intensity than “Long Slow Distance”. Cardio run is a more advanced workout, designed to motivate you to achieve a more challenging steady pace and maintain that pace for the full duration of the workout. Cardio Run is a great workout if you are training for a special event.

Short Interval 2

(20 minute default)



Short interval workouts have been found in research studies to be ideal for those striving to lose weight and improve cardiovascular fitness. Varying exercise intensity from a moderately slow level to a high intensity for a set period of time and repeating that progression for a complete workout will maximize the number of calories burned. The short interval recovery periods allows the body to more successfully exercise at a higher intensity than might otherwise be comfortable for a complete workout duration.

Uphill Walk

(30 minute default)



The uphill walk gradually increases the intensity of your exercise peaking at a high intensity. The goal of the uphill workout is to stimulate your body to improve overall cardiovascular fitness, while also maximizing muscle cell development. The uphill walk has been designed to start slow and gradually increase to a peak intensity then with a quick decrease back to a recovery level. You will maximize calorie burn during the peak intensity levels while allowing your body to exercise for longer periods.

Hills Decline

(30 minute default)



Gentle shifts between uphill and downhill incline settings, suitable for those new to treadmill incline/decline running.

Operations

Short Interval: Decline

(30 minute default)



The most challenging of the decline workouts. Transitions occur rapidly between varying levels of incline and decline, with short recovery times provided between changes.

Downhill Repeats: Decline

(30 minute default)



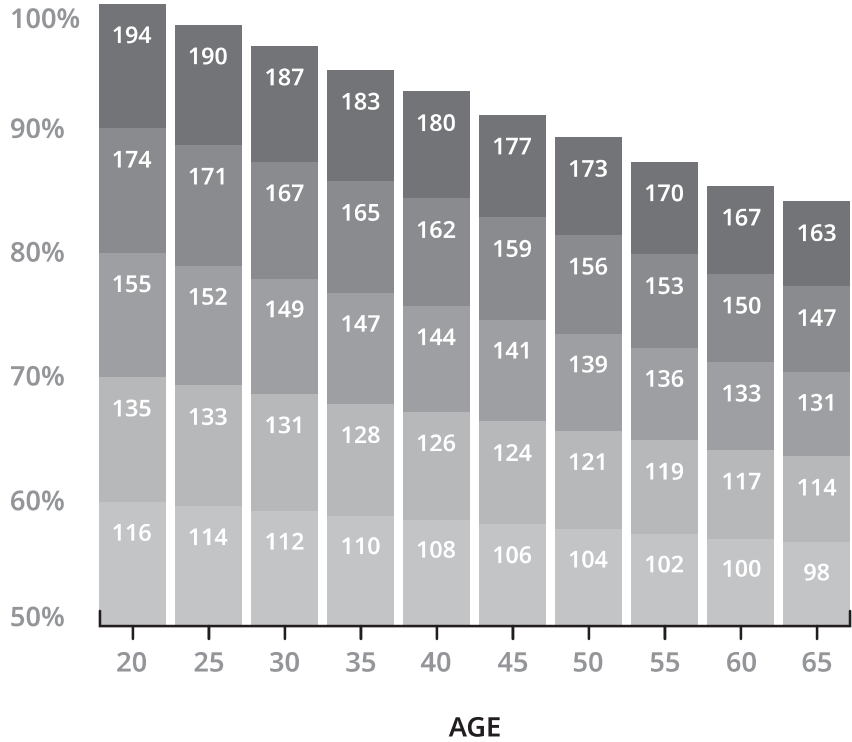
Similar to short interval decline, but with consistent incline and decline levels and extended recovery times between changes.

Custom User Programs

There are two user programs that provide you with the ability to build custom program profiles for your specific workout requirements. In custom user programs you set the workout time and then for each of the 20 program segments you set the speed and incline. This program is different than our preset programs in that both speed and incline can be controlled simultaneously. As such, the program matrix display readout will show both incline and speed at the same time. The speed and incline are represented in different colors so they are easy to see.

Note: Remember that the console needs to receive your heart rate through the grip pulse or a heart rate chest strap during the course of the workout.

Maintenance and Tips



Heart Rate Monitoring

Seeing your heart rate while exercising will help you understand the intensity of your exercise and corresponding heart rate training zone, and predict health benefits found through repeated bouts of exercise. Refer to the following information to understand your heart rate training zones:

Maintenance and Tips

Zone 5 — Performance Redline Zone: 90% - 100% of your Max HR

The performance zone involves extreme effort, requiring the heart to beat at or near maximum capacity. Training bouts include intense incline or sprinting, benefitting speed, power, and anaerobic performance competency.

Zone 4 — Threshold Zone: 80% - 90% of your Max HR

The threshold zone involves intense jogging or sub-maximal sprinting, typically unsustainable for long periods of time. Benefits include highly-elevated calorie burn, speed and power performance enhancement, improved lactate removal capabilities, and enriched heart health.

Zone 3 — Aerobic Zone: 70% - 80% of your Max HR

The aerobic zone is ideal for cardiovascular training. Workouts in this zone are more intense, involving moderate jogging. Long-term benefits are improved heart health and cardiovascular performance, reductions in blood pressure and cholesterol, and increased calorie burn.

Zone 2 — Temperate Zone: 60% - 70% of your Max HR

The temperate zone consists of moderate-intensity exercise, typically as fast walking to slow jogging. Speaking is more difficult and breathing is elevated. Benefits are similar to those of the healthy heart rate zone, though caloric expenditure is.

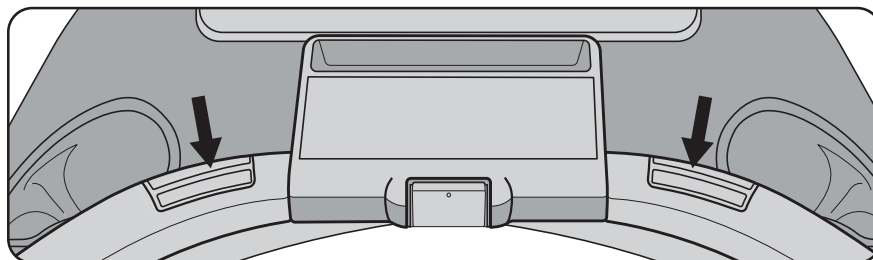
Zone 1 — Healthy Heart Zone: 50% - 60% of your Max HR

The healthy heart zone involves safe, low-intensity activity, like medium-to-brisk walking. Full conversations can be held, despite a gentle increase in respiration. Benefits include reduced risk of heart and vascular disease, moderated blood pressure and cholesterol, and improved insulin sensitivity.

Maintenance and Tips

Hand Pulse Sensors

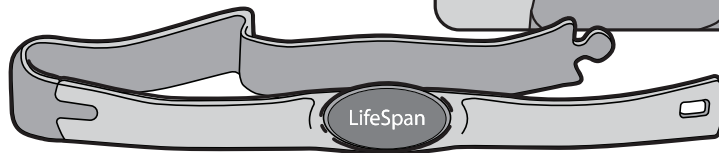
To use, grasp the sensors with a comfortable grip, with the palms of your hands placed over the sensors. If the sensors are having difficulty picking up your heart rate, use aloe or a moisturizer on your hands or further warm up as you exercise to increase the moisture in your hands. Dry hands do not transfer your pulse as effectively as moist hands.



Chest Strap

This treadmill has integrated Bluetooth heart rate receivers built into the console.

The chest strap should be worn as shown. When using a chest strap you may need to warm-up first to increase the moisture in your skin. If this doesn't work, use aloe or another moisturizer where the sensors on the chest strap are making contact with your skin.



Note: The heart rate monitoring system will vary due to your age, method of use, physiology and other factors. LifeSpan cannot guarantee the accuracy of the heart rate readings.

Maintenance and Tips

Belt Lubrication

Use only 100% silicone and avoid using aerosol silicone sprays which include additives and petroleum distillates. One ounce of silicone should be used for each application. LifeSpan offers 100% silicone lubricant that can be ordered at www.LifeSpanFitness.com.

The walking belt should be lubricated every 50 hours of use or three months.

To lubricate, unplug your treadmill.

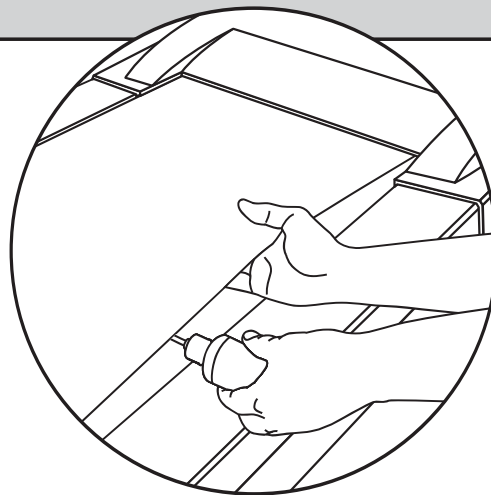
1. Start toward the front of the treadmill, slide your hand under the belt and lift it away from the deck.
2. Slide tube under the belt as close to the center as possible.
3. Apply controlled pressure to the squeeze bottle as you slowly pull back the tube towards the belt edge.
4. Repeat on opposite side. (Use 1/2 oz. per side)
5. Use treadmill for 3-5 minutes to disperse lube.

Note:

When lubricating the belt, make sure the treadmill is on a surface that can be easily cleaned. After lubricating clean any excess silicone off the walking surface of the belt and side rails.



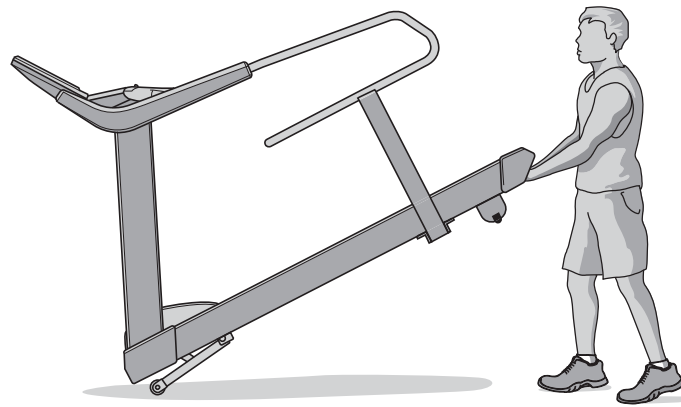
For a full video demonstration on lubricating your treadmill, scan the QR code to watch our YouTube video.



Maintenance and Tips

Moving the Treadmill

- A. Make sure that the ON / OFF switch is turned OFF and the power cord is removed from the wall.
- B. Make sure that nothing is on or near your treadmill which might spill, be knocked over or prevent the treadmill from moving.
- C. Place both hands under the support bar that is located directly under the back of the running belt on your treadmill to make sure that you have a solid lifting point.
- D. Lift the back of the treadmill and roll to the desired location.



! **CAUTION:** When lifting, use proper safety precautions and lifting techniques. Bend your knees and elbows, keep your back straight and pull up evenly with both arms.

Maintenance and Tips

Cleaning

Daily


It is recommended to wipe the treadmill down after each use to keep the treadmill clean and dry. A mild detergent may be used at times to help remove all dirt and salt from the belt, painted parts and the display.

Monthly


This cleaning would include removing the motor cover and cleaning around the motor and electronics. It is recommended to clean the motor compartment if the treadmill is in an area where there might be plush carpet fibers that could get pulled up into the motor compartment. It is a good idea at this time to check and tighten all assembly hardware, power cord for damage, or anything else that would indicate the need for service.


Safety and Integrity

The safety and integrity designed into the machine can only be maintained when the treadmill is regularly examined for damage and repaired. Worn or damaged components shall be replaced immediately or the treadmill be removed from service until the repair is made. Pay special attention to components most susceptible to wear.

 **WARNING:** Keep treadmill stable on flat ground. Over-exercising or inadequate training may result in physical injury.

 **WARNING:** Unplug the power cord before removing the motor cover.

 **IMPORTANT:** If service is required, turn the power off and remove the power cord to ensure the unit cannot be used. Let all other users know the unit needs service.

 **CAUTION:** Acidic cleaning detergents may damage painted or powder coated surfaces and should not be used. Such cleaners may void the LifeSpan warranty.

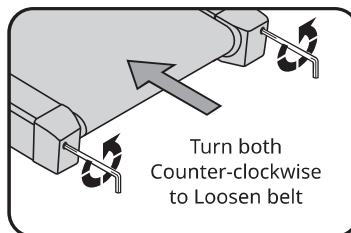
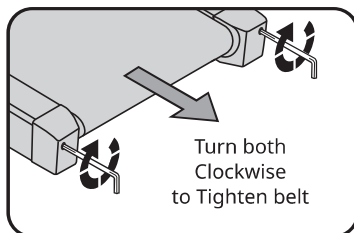
Maintenance and Tips

Belt Tensioning

If the belt begins to slip and needs to be tensioned, there are tension bolts that are accessible from the back of the treadmill. Before tensioning the belt, start the treadmill and set the speed to 3 mph (5 kph).

- A. Using a 6 mm Allen wrench, included in your hardware bag, turn the right and left tension bolts 1/2 turn clockwise.
- B. Test to see if the slipping is eliminated. If the belt slips repeat Step A and test again.
- C. **DO NOT** tighten more than 2 full turns on each side. If slippage still occurs, contact LifeSpan Customer Service.

Note: Adjusting one side more than the other will cause the belt to drift to the side of the treadmill and will require belt alignment. Check to be sure the running belt is still aligned. If belt alignment is off as shown below refer to Belt Alignment section.



! **CAUTION: DO NOT** tighten more than 2 full turns on each side. Over tensioning the belt can cause unnecessary friction and wear and tear on the belt, motor and electronics.

Maintenance and Tips

Belt Alignment

- A. Press Start, then increase the treadmill speed to 3 mph (5 kph).
- B. Stand at the rear of the treadmill to see which way the belt is drifting.
- C. If the belt drifts to the left, turn the left adjustment bolt one-quarter turn clockwise and the right adjustment bolt one-quarter turn counter-clockwise. (See Fig. 1)
- D. If the belt drifts to the right, turn the left adjustment bolt one-quarter turn counter-clockwise and the right adjustment bolt one-quarter turn clockwise. (See Fig. 2)
- E. Observe the tracking for two minutes. Repeat steps A-D as needed.

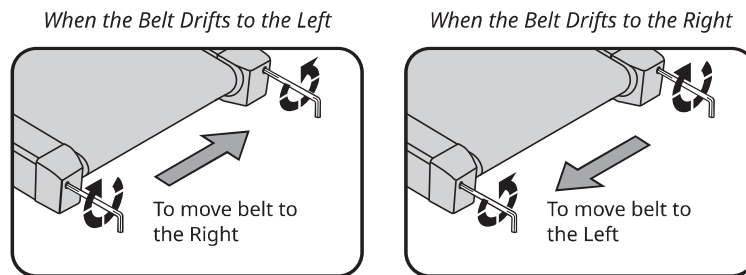


Figure 1

Figure 2



For a full video demonstration on aligning your treadmill belt, scan the QR code to watch our YouTube video.

Maintenance and Tips

Troubleshooting

If you have a question that isn't answered in this Owner's Manual, visit our website at www.LifeSpanFitness.com or call us at 877.654.3837 x4.

The treadmill is designed and manufactured to be reliable and easy-to-use. However, if you have a problem, these troubleshooting steps may help you find the cause.

Problem: The console does not turn on or function correctly.

Solution: Check to make sure the treadmill is properly plugged in, turn the power switch down by the power cord off and back on again and make sure the safety key is in place. Check all wire harness connections made during assembly to be sure they are all properly connected. If the problem persists contact LifeSpan Customer Service at www.LifeSpanFitness.com or call 877.654.3837 x4.

Problem: The POWER button on the console does not turn the console on.

Solution: Check the main power switch and power cord located at the front of the treadmill on the right side. Make sure the power cord is plugged in and the power switch is turned on.

Problem: The treadmill does not turn off with the console power button.

Solution: The console has to be in standby mode to be turned off with this button. Press and hold the Stop button till the console resets and then the POWER button will turn the console off.

Problem: The belt does not stay in the center of the treadmill when in use.

Solution: First check to make sure that the treadmill is level, then refer to the instructions in this Owner's Manual on how to align the belt.

Problem: The treadmill belt slips during use.

Solution: The belt may need to be tensioned after a period of use. Refer to the Belt Tensioning Section of this Owner's Manual.

Problem: Heart rate is erratic or not reading.

Solution: Make sure your hands are moist (aloe vera helps). Make sure all connections made during assembly, at the back of the console, are properly connected and no wires are damaged. If wearing a chest strap, be sure the batteries are good and that the electrodes are moist and positioned properly on your chest.

Problem: Treadmill automatically pauses during workout.

Solution: The treadmill is not detecting your steps because you have stopped walking or because the user weight is too low to detect the steps, especially at an incline. One option would be to go to personal settings and turn Intelli-Guard off.

Problem: E1 Error Code after 3 to 8 seconds.

Solution: This is most likely a bad wire connection or a speed sensor issue. Check all wire connections made during assembly and if this does not resolve the issue contact LifeSpan Customer Service at www.LifeSpanFitness.com or call 877.654.3837 x4.

Problem: E1 Error Code after several minutes of use.

Solution: This problem usually occurs when there is too much friction building between the running belt and deck. The best thing to do is turn the treadmill off, lubricate the running belt and turn the treadmill back on. Test the unit. If E1 still comes up after testing, contact LifeSpan Customer Service at www.LifeSpanFitness.com or call 877.654.3837 x4.

Problem: E6 Error Code.

Solution: Turn the power off for 30 seconds and back on again. Check to see if the incline is functioning. If still an issue, please check all wire connections made during assembly and cycle the power again. If still not functioning contact LifeSpan Customer Service at www.LifeSpanFitness.com or call 877.654.3837 x4.

Problem: Screencasting Instruction Screen not showing.

Solution: Go back to the home screen and wait for twenty seconds, then try again.

— |

| —

— |

| —

— |

| —

— |

| —

— | | —

TR7000iM

Commercial Treadmill

— | | —

LifeSpan Fitness

785 West 1700 South Suite 1
Salt Lake City, UT. 84104
Phone: 877.654.3837
www.LifeSpanFitness.com

2021 Version 1.0

— | | —