

URBAN

2.1 Channel Wireless Home Theatre

HARMONIC Soundbar 2240



User Manual

Specifications

Model Number:	UBS008
Product Name:	URBAN Harmonic Soundbar 2240
Type:	2.1 Channel
Total Output:	240Watt RMS
Speaker:	40Watts X 4
Driver Diameter:	55mm
Subwoofer:	80Watts X 1
Subwoofer Diameter:	132mm
Bluetooth Version:	5.2
Bluetooth Range:	10 Meter
Connectivity:	Aux, BT, Optical, HDMI Arc,USB
Frequency:	45Hz-20KHz
SNR:	66dB
Impedance:	4Ωx2+3Ω
Power Input:	SMPS 110-240V, 50/60HZ
Product Diameter	
Soundbar:	960 x 69 x 76 mm
Subwoofer:	185 x 420 x 350 mm



Preparation for Use

Unpacking and Set Up

- Remove the Soundbar from the carton and remove all packing material from the Soundbar. Save the packing material, if possible, in case the Soundbar ever needs to be serviced or transported.
- Remove any descriptive labels or stickers on the front or top of the devices' exterior casing.
- The original carton and packing material is the only safe way to pack your Soundbar to protect it from damage in transit.
- Do not remove any labels or stickers from the back or bottom of the the devices' exterior casing.
- Place your Soundbar on a level surface such as a table, desk or shelf, convenient to an AC outlet, out of direct sunlight, and away from sources of excess heat, dirt, dust, moisture, humidity, or vibration.
- Unwind the Line cord connecting the AC adapter and extend it to its full length.

Protect Your Furniture

This model is equipped with non-skid rubber 'feet' to prevent the product from moving when you operate the controls. These 'feet' are made from non-migrating rubber material specially formulated to avoid leaving any marks or stains on your furniture. However certain types of oil based furniture polishes, wood preservatives, or cleaning sprays may cause the rubber 'feet' to soften, and leave marks or a rubber residue on the furniture. To prevent any damage to your furniture we strongly recommend that you purchase small self-adhesive felt pads, available at hardware stores and home improvement centers everywhere, and apply these pads to the bottom of the rubber 'feet' before you place the unit.

Power Source

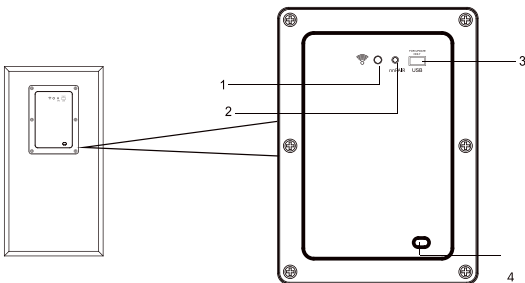
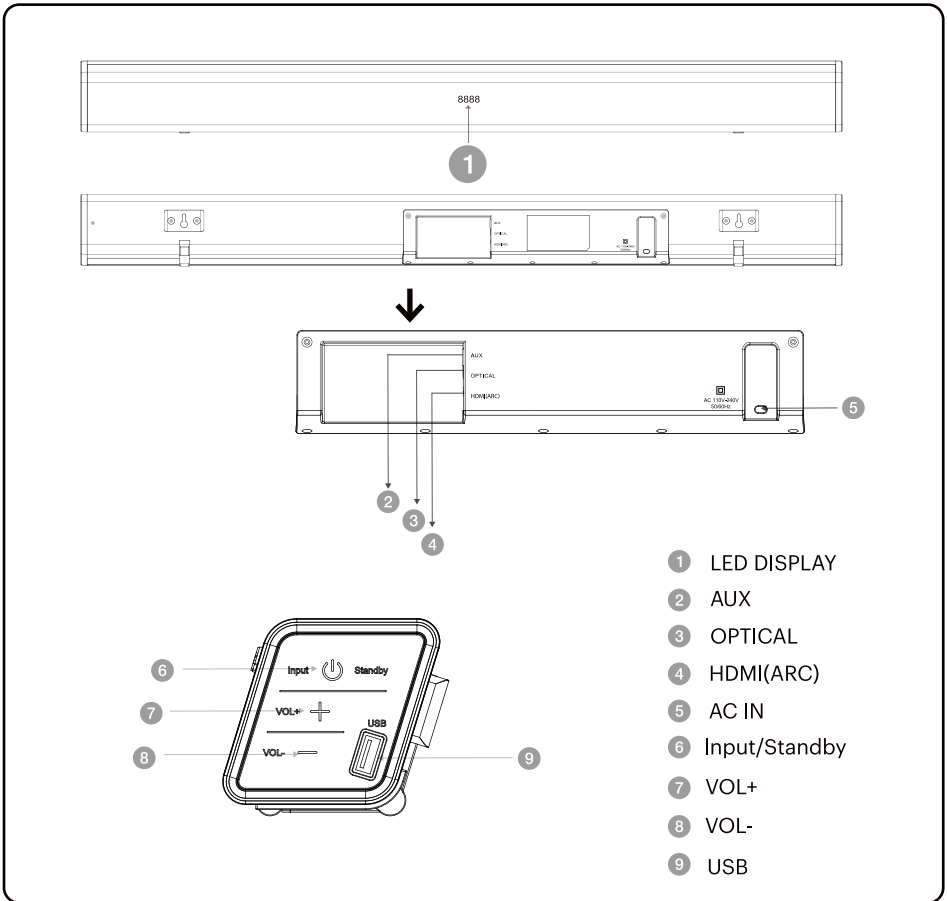
This soundbar is designed to operate on standard AC Power strength. For Europe, it works only under SMPS 110V-240V ~50/60Hz. Do not attempt to operate the Soundbar on any other power source. You could cause damage to the Soundbar that is not covered by your warranty.

Important Notes

- This soundbar was especially developed for LED/LCD/Plasma TV's: It should not be used in combination with CRTTV's (Cathode Ray Tube TV's) in order to avoid image interference.
- Safety and operating instruction manual should be retained for future reference.
- The apparatus should not be exposed to dripping, splashing or placed in a humid atmosphere
- Do not install the product in the following areas.
- Places exposed to direct sunlight or close to radiators.
- On top of other stereo equipment that radiate too much heat -Blocking ventilation or in a dusty area
- Areas where there is constant vibration.
- Humid or moist places & Do not place near candles or other flames.
- Operate the product only as instructed in this manual.



Product Diagram



1. LED indicator: It indicates pairing between the soundbar and the subwoofer.
2. PAIR Button: First time need to pair with new device after that it will automatically pairs with soundbar with subwoofer.
3. USB Port (CAN'T PLAY MP3 MUSIC, For Software Upgrade only)
4. AC In



Pair up with the subwoofer

Plug the soundbar and the subwoofer into the mains sockets at the same time

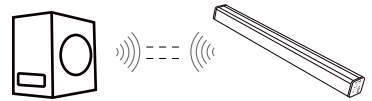
1. Press "STANDBY" to turn the soundbar on after it has been connected to the AC. Then press "INPUT" to select Bluetooth (BT) as the input mode. This will cause the soundbar to enter into pairing mode with the wireless subwoofer.

2. Switch the subwoofer on. The blue LED will blink slowly indicating the unit has power but need to be paired with the soundbar. Press and hold the WPS (AUTO PAIR BUTTON), the blue LED will flash quickly indicating they are now in pairing mode.

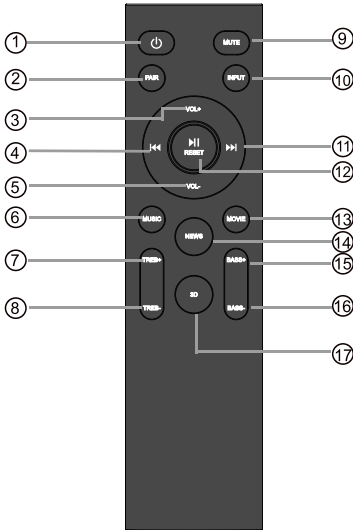
3. After about 20-30 seconds, the blue LED of the subwoofer will stop flashing and remain blue to confirm a successful pairing with the soundbar.

4. The units will now be able to pair automatically after this initial successful pair, even if they are switched off and on.

5. If you want to pair your wireless subwoofer with another soundbar, please repeat step 1 to step 4 above. Ensure the soundbar you want to pair the subwoofer with is turned on and in range and any other pairing devices are switched off or on standby.



Remote control

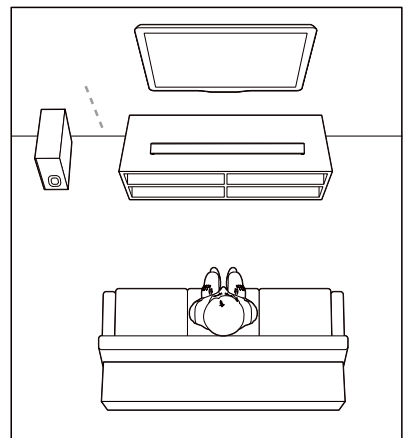


1. \mathcal{P} : Standby mode for power on/off.
2. PAIR: Connect or disconnect to the pairing device. (Press the button more than 2 seconds).
3. Volume+: Master volume up
4. \ll : Pre button: Previous program (Only work under USB & BT mode of smartphone).
5. Volume - : Master volume down
6. MUSIC: Select the Music EQ eect.
7. TR+: Treble volume UP.
8. TR-: Treble volume down.
9. MUTE: Mute mode.
- 10.INPUT: Input mode(AUX/USB/HDMI TV(ARC)/OPT/BT).
11. \gg : Next button: Next program. (Only work under USB & BT mode of smartphone).
12. \parallel : Play/Pause (Only work under USB & BT mode of smartphone). Reset: Press and hold the button more than 2 sec. to Set all functions to manufacturer defaults.
13. MOVIE: Select the Movie EQ eect.
14. NEWS: Select the News EQ eect .
15. Bass + : To increase the bass. (Refer to Bass chapter for reference.)
16. Bass - : To decrease the bass. (Refer to Bass chapter for reference.)
17. 3D: Select the 3D EQ eect.

Positioning Soundbar

Table Placement

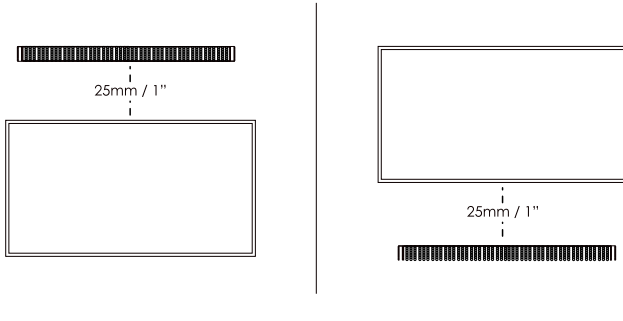
- Place the soundbar horizontally on a solid surface such as a TV unit or shelves and align it centrally with the TV screen.
- For best sound output and good airflow around the soundbar, place your soundbar and subwoofer as shown on the right



Mounting on the wall

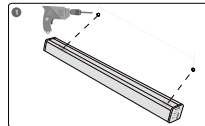
Warning:

- If you don't feel confident to correctly and securely wall-mount the soundbar, Seek the assistance of an experienced person or professional.
- Install the speaker on a vertical, fast, reinforced area of wall. For plaster walls, it is recommended to screw into wall studs for greater security. For optimum performance, allow at least 25mm/1" distance between the soundbar and the TV.

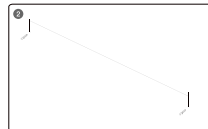


Follow the steps below to mount the soundbar on the wall

1. Make 2 holes in the wall that correspond to the holes of the wall bracket on the soundbar.



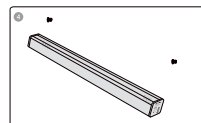
2. Insert the plastic anchors into the wall and secure the screws to the plastic clips, do not tighten the screws all the way making sure to leave some space



3. Attach the 2 EVA pads onto the wall mount bracket. This will make sure that there is enough room between the wall and the soundbar outlet, minimum 15mm



4. Once the screws are securely fastened, hang the soundbar by hooking the screws onto the wall mount bracket



Operating Instructions

Setting the Soundbar

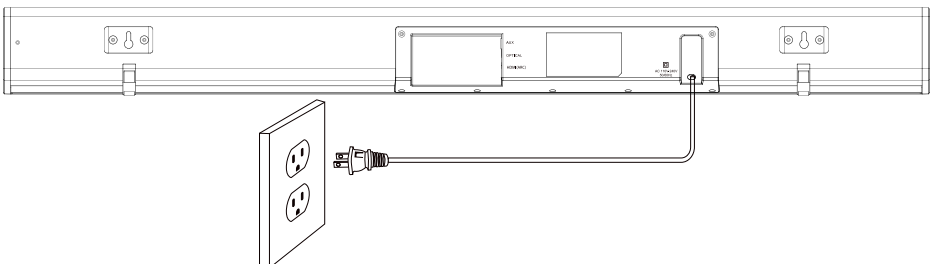
- 1.Plug the power cord into the mains, the display should light up.
- 2.Switch the soundbar on by pressing the power button on the soundbar or the STANDBY button on the remote. The default input mode will appear on the display after being switched on.
- 3.Select the input mode by pressing the power button again or by pressing the INPUT button on the remote.
4. Make your selection from the following input modes:
 - bt** -Bluetooth Pairing mode, **OP**-Optical mode,
 - AUX**-AUX mode, **Hd** -HDMI mode, **US** -USB mode,

Auto Standby

1. The unit will automatically switch to standby mode when no audio input is received for 20 minutes. The soundbar will wake up from standby mode when any button is pressed or source input is received.
- 2.If the TV or the external unit is disconnected, switch it off
 - To switch the unit off completely, remove the mains plug from the mains socket.
 - Please turn the unit off completely to save energy when not in use.

Powering On/Off

- 1.Plug the power cord of the soundbar & subwoofer into a wall outlet, it will automatically enter standby mode
- 2.Press the STANDBY button on the soundbar or POWER button on the remote control to turn the soundbar on. Make your selection of the desired input modes by pressing the INPUT button on the remote or the power button on the soundbar.
- 3.To turn off, press and hold the STANDBY button or POWER button on remote control for about 2 seconds, the soundbar will enter standby mode, and then unplug it from the wall outlet.



Playing Audio via BT Connection

1. Turn the soundbar on, press the STANDBY button on the soundbar or the POWER button on the remote control to Select the Bluetooth mode. When Bluetooth is selected, "bE" will be displayed on the LED display and the blue LED
2. Turn the Bluetooth of your device on, search for "URBAN Harmonics 2240 " on your Bluetooth list, and then select Bluetooth connection.
3. When Successfully paired, you will hear a tone and the "bE "on the screen stops flickering. Then the music on
4. Use the volume buttons on the soundbar or on the remote controller to adjust the volume.
5. The remote controller includes Bluetooth mode playback controls. Press and hold PAIR button on the remote Controller for more than 2 seconds to disconnect the paired Bluetooth device or to reconnect with the previously
6. If you wish, you can change the audio settings by using the relevant buttons on the remote controller.

Note

1. In Bluetooth mode, the remote can control music play/pause or select previous or next track. PREV/NEXT/PLAY & PAUSE button only work in Bluetooth and USB mode; they have no function in other modes.
2. The above pairing procedure doesn't need to be repeated with the same connected device once paired.
3. If the connected device is switched off or manually disconnected, the soundbar will automatically enter pairing mode.
4. If the connected device is moved away from wireless range (up to 10 meters) of the soundbar, then it will get disconnected, and it will successfully connect to the device once you re-enter Bluetooth range. To connect to other devices, repeat the above pairing steps.
5. If a Bluetooth device has been connected before, the soundbar will connect to the last connected device. Unpair this connection to connect a new device.
6. There is no automatic shutdown in pairing mode. The soundbar will remain in pairing mode even if no device is paired, so switch it off if not in use.



Playing Audio via USB Port

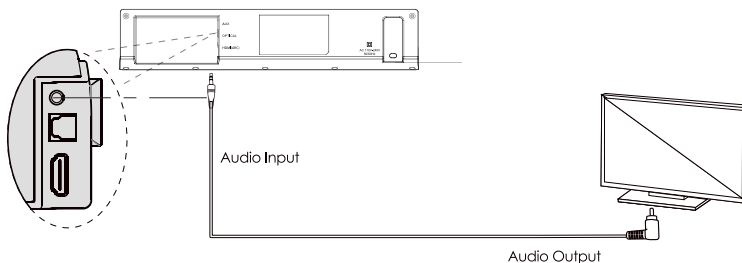
- The soundbar automatically switches to USB input mode with the LED display “**US**” when a USB flash drive is inserted.
 - When a USB flash drive is inserted and soundbar is powered on, press the INPUT key on remote controller or STANDBY button on soundbar to switch to USB input mode (in case it doesn't change automatically) with LED display lighting up “**US**”. And music in the USB will be automatically played.
 - This mode cannot be used on the soundbar until an USB flash drive is connected
- 1.Ensure that your USB flash drive contains MP3 audio file (other file types are not supported.)
 - 2.Connect the USB flash drive to the USB port on the soundbar or by USB adapter (or your own USB extension cable connected to the USB port) and the music will be played automatically.
 - 3.The remote control includes USB input mode playback controls.

Audio input(Aux)Connection

- 1.Firstly connect the soundbar to your PC, laptop, smart-phone, TV, or other audio devices by using an AUX cable provided. Make sure that these devices have both AUX IN and AUX out terminals.
- 2.Then press the STANDBY button or INPUT button on remote control to switch the soundbar to Aux mode, once the soundbar is connected in Aux mode, the screen will display “**AUX**”. And the music on your connected device will play. Playback can only be controlled on your connected device.

Note

- For some computers, you may need to access the audio control panel to manually set the soundbar as shown steps on above.



Optical Mode

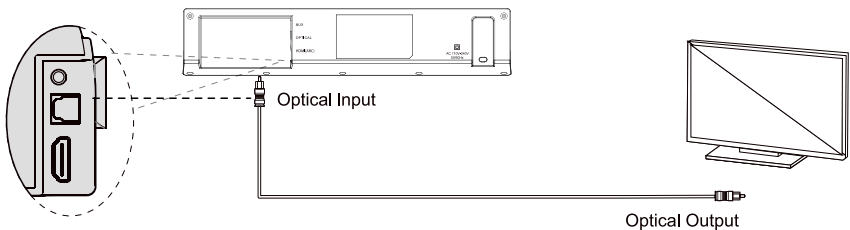
- Remove the cap of optical cable (keep the cap for the future use); check the direction of the plug. Connect the soundbar and TV with the optical cable.
- Use this mode to play music from a TV with optical digital output on the sound bar. In TV sound settings, select the soundbar optical connection (output for audio). When the optical cable is connected, the TV audio output is set to PCM format.

The TV must have an optical digital output. Use the supplied optical cable to make the connection as follows:

- 1.Connect the optical cable to the optical digital output of your TV.
- 2.Connect the optical cable to the optical digital input of your soundbar.
- 3.Switch on the TV set and the soundbar. Set the connected TV to “PCM Stereo”. Set the audio output mode as <automatic> or <decoded output as PCM state>.
- 4.Start playing on the TV.
- 5.Press “INPUT” button on the remote control or “STANDBY” button on the soundbar to select **OPTICAL** mode
- 6.Use the volume buttons to adjust the volume to your requirements.
- 7.You can also change the audio settings by using the relevant buttons on the remote control.

Note

- 1.When connecting a device such as a TV/Set-top box/ DVD/ game console with optical cable, set the audio output mode of the device to PCM mode (digital optical output).
- 2.Do not bend the optical cable, otherwise the cable inside will be damaged.

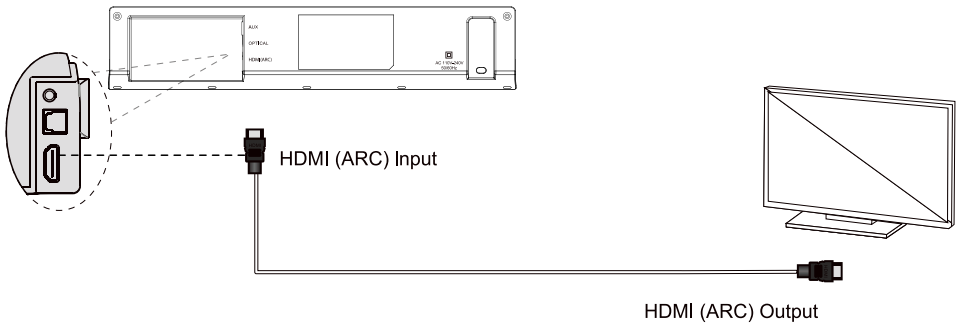


HDMI(ARC) Mode

- 1.The soundbar supports HDMI (ARC) with audio return channel (ARC). You can hear the TV audio through your soundbar by using a single HDMI (ARC) cable. But on condition that your TV is ARC compliant.
- 2.Using a high speed HDMI (ARC) cable, connect the HDMI (ARC) connector on the soundbar to the HDMI (ARC) connector on the TV. The HDMI (ARC) connector on the TV might be labeled differently. For details, see the user manual of your TV.
- 3.When HDMI (ARC) is connected, TV sound setting in “sound output” mode should be set as <external PCM Stereo>, in addition, digital audio output mode should be set as <automatic> or <decoded output as PCM state>. When the HDMI (ARC) cable is connected, the TV digital audio output is set as PCM format. Then start playing music on the TV.
- 4.Press “INPUT” button on the remote control or “STANDBY” button on soundbar to select **Hd** - HDMI (ARC) mode. Different TV might be different setting, please refer to your TV User Manual.
- 5.Use the volume buttons to adjust the volume to your requirements.
- 6.You can also change the audio settings by using the relevant buttons on the remote control.

Note

- 1.When connecting a device such as a TV/Set-top box/DVD/ game console with HDMI (ARC) cable, set the audio output mode of the device to PCM mode <digital HDMI (ARC) output>.
- 2.The TV is connected to a HDMI (ARC) port with sound bar. Different TVs might have different setup menus, but the operation approach is the same.
- 3.If needs to connect set-up box meanwhile, please firstly connect the HDMI (ARC) connector and paired to the soundbar. Then connect the set-top box.



Trouble Shooting

PROBLEM/TROUBLE	POSSIBLE CAUSE	SOLUTION
There is no sound output from sound bar.	Another input source is selected.	Select an appropriate input source.
	The mute function is activated.	Cancel the mute function.
	The volume of sound bar or TV/other device is adjusted too low.	Increase the volume level on sound bar or by remote control or on TV.
	The power cable of the unit is not connected properly.	Make sure that the power cable of the unit is connected to an AC wall outlet securely.
	Input jacks on a playback device are connected.	Connect the input jack on the sound bar and the output jack on the playback device.
	Signals that the sound bar cannot playback when being input.	When sound bar and TV or other devices are connected by an audio cable through TV (ARC) port output, Select the correct audio input and output. Make sure the digital audio output setting on the playback device to PCM format. Since the output format of our sound bar is PCM, if it is used, the decoding format of TV or other devices will be adjusted to PCM state.
The sound is distorted or echoed.	TV volume is not muted.	If you play audio from TV through the sound bar, make sure that the TV is muted.
The volume decreases when the unit is turned on.	The automatic volume adjustment function is activated. To prevent excessive loudness, the unit automatically controls its volume within a certain level when the unit is turned on.	Turn up the volume as required.
Noise is heard.	The sound bar is too close to another digital or high-frequency device.	Move those devices away from the sound bar.
The unit cannot be operated by using the remote control.	The unit is out of the operating range.	Use the remote control within the operating range.
	The batteries are weak.	Replace with new batteries.
	The remote control sensor of the sound bar is exposed to direct sunlight or strong lighting.	Adjust the lighting angle or reposition the sound bar. Make sure our product cannot be used in sunlight.
The TV cannot be operated by using the TV's remote control.	The unit is blocking the TV's remote control sensor.	Position the unit so that it does not obstruct the TV's remote control sensor.
A device cannot connect the sound bar or the unit cannot be connected to a Bluetooth device.	Bluetooth function of the device is not activated, not paired or connected correctly.	Restart the sound bar and try pairing again. You have not enabled the Bluetooth function of the device; see the user manual of the device on how to enable the function and correctly connected the device. The sound bar is already connected with another Bluetooth device. Disconnect the connected device, and then try again.
	Bluetooth is not selected as the input source.	Select Bluetooth as the input source.
	The unit is connected to a different Bluetooth device.	Un-pair the Bluetooth device that is currently connected and pair with the desired Bluetooth device.
	The unit is too far away from the Bluetooth device.	Move the Bluetooth device closer to this unit.
	A device emitting electromagnetic waves (such as a microwave oven, a wireless device and so on) may be placed nearby.	Do not use this unit near devices that emit electromagnetic waves.
	The Bluetooth device that you are using may not support the protocol.	Use a Bluetooth device that supports the protocol.
	The connection profile registered in the Bluetooth device may not be functioning correctly for some reason.	Delete the connection profile in the Bluetooth device and then connect the Bluetooth device to this unit.



Trouble Shooting

PROBLEM/TROUBLE	POSSIBLE CAUSE	SOLUTION
play from a connected Bluetooth device is poor and connection is not stable.	The Bluetooth reception is poor.	Move the device closer to the sound bar, or remove any obstacle between the device and the sound bar.
No sound can be heard or sound breaks (Bluetooth mode)	The volume on the Bluetooth device may be too low.	Raise the volume on the Bluetooth device.
	Bluetooth is not selected as the input source.	Select the Bluetooth as the input source.
	Playback on the device has not been performed.	Perform playback on the device.
	The sound output on the Bluetooth device may not be set to this unit.	Select this unit as the output device on the Bluetooth device.
	The connection to the Bluetooth device was cut off.	Connect with the Bluetooth device one more time.
	The unit may be too far away from the Bluetooth device.	Move the Bluetooth device near this unit.
	A device emitting electromagnetic waves (such as a microwave oven, a wireless device and so on) may be placed nearby.	Do not use this unit near device that emit electromagnetic waves.
There is no sound from sound bar - HDMI TV (ARC) Mode	Incorrect HDMI cable is used causing no signal to be sent to soundbar. Incorrect input mode is selected.	<ol style="list-style-type: none"> 1. Make sure that the user connected TV and sound bar by a 19-core HD ARC cable. 2. The sound bar and TV are connected through TV (ARC) port output; make sure that the TV is ARC compliant. 3. Set the TV to HDMI ARC (CEC). Set the audio output mode of TV to PCM format. (Or refer to your TV user manual)
There is no sound from sound bar (OPTICAL Mode)	OPTICAL cable might be damaged and no signal is received by the soundbar due to a failed connection and incorrect operation mode selected.	<ol style="list-style-type: none"> 1. Replace the OPTICAL cable with a new one to connect. 2. Set your TV audio output to PCM format. (Pls refer to your TV user manual)
There is no sound from sound bar (USB mode)	USB file type is not support & Sound bar doesn't switch to USB input mode automatically when USB is inserted.	Make sure that USB flash drive contains MP3 files because other file types are not supported. Switch the input mode once again, then playback again.
Disconnected between subwoofer and sound bar	Connection is not correct between subwoofer and sound bar	<ol style="list-style-type: none"> 1. Turn off sound bar and subwoofer by removing the AC plug from the socket. 2. Make sure that sound bar and subwoofer are connected to the electricity power at the same time and switch on sound bar and subwoofer again. 3. Press and hold the subwoofer's rear plate WPS button to reset the connection, so that the sound bar and subwoofer can be reconnected again.



Important Safety Instruction

Thank you for purchasing the home theater URBAN Harmonic Soundbar 1120.

Please read this user manual carefully and keep for future reference.

Warning:



Caution:

To reduce the risk of electric shock, do not dismantle the product and do not expose the apparatus to rain or moisture. The unit has no user-serviceable parts inside. Refer servicing to qualified personnel only



The lightning flash within an equilateral triangle is intended to alert you to the presence of uninsulated dangerous voltage within the product's enclosure that may be of sufficient magnitude to constitute an electric shock to a person or persons.



Important! This symbol alerts you to read and observe important warnings and instructions on the unit or in this manual.

Notice:

This appliance is not intended for use by persons (including children) with reduced physical sensory or mental capabilities, or lack of experience and knowledge, unless they have been given supervision or instruction concerning use of the appliance by a person responsible for their safety. Children should be supervised to ensure that they do not play with the appliance.

1.To prevent possible hearing damage, do not listen at high volume levels for long periods of time or a sudden high volume level.



2.Never use the device unsupervised! Switch off the device whenever you are not using it, even if not using it only for a short while.

3.The appliance is not intended to be operated by means of an external timer or separate remote control system.

4.If the the power supply cord is damaged, it must be replaced by the manufacturer, its service agent or similarly qualified persons in order to avoid a hazard.

5.Before operating this system, check the voltage of this system to see if it is identical to the voltage of your local power supply.



- 6.The unit should not be impeded by covering the ventilation opening with items such as newspaper, table-cloths, curtains etc. Make sure that there are at least 20 cm of space above and at least 5 cm of space on each side of the unit.
- 7.The apparatus must not be exposed to dripping or splashing. Do not place objects filled with liquids such as vases, bottles or humidifiers on the unit.
- 8.To prevent fire or shock hazard, do not expose this equipment to direct heat, rain, moisture or dust.
- 9.Do not locate this unit near any water sources e.g. taps, bathtubs, washing machines or swimming pools. Ensure that you place the unit on a dry, stable surface.
- 10.Do not place this unit close to a strong magnetic field.
- 11.Do not place the unit on a amplifier or receiver.
- 12.Do not place this unit in a damp area as the moisture will affect the life of electric components.
- 13.Do not attempt to clean the unit with chemical solvents as this might damage the finish. Wipe with a clean, dry or slightly damp cloth.
- 14.When removing the power plug from the wall outlet, always pull directly on the plug, never pull on the cord.
- 15.Depending on the electromagnetic waves used by a television broadcast, if a TV is turned on near this unit while it is also on, lines might appear on the LED TV. Neither this unit nor the TV is malfunctioning. If you see such lines, keep this unit well away from the TV set.
- 16.The mains plug is used to disconnect the device, the disconnected device should remain readily operable.

Important Safety Instructions

- 1.Read these instructions. Keep these instructions. Follow all instructions. Heed all warnings.
- 2.Do not use this apparatus near water.
- 3.Clean only with a dry cloth.
- 4.Do not block any ventilation openings. Install in accordance with the manufacturer's instructions.
- 5.Do not install near any heat sources such as radiators, heaters, stoves, or other devices (including amplifiers) that produce heat.
- 6.Do not ignore the safety measures of a polarized or grounding-type plug. A polarized plug has two blades with one wider than the other.
- 7.Protect the power cord from being walked on or pinched. Pay special attention to the positioning of cords, plugs, power sockets especially the point where they exit from the unit.
- 8.Unplug this apparatus during lightning storms or when not in use
- 9.Refer all servicing to qualified service personnel. Servicing is required when the apparatus has been damage in any way, for example, when the power-supply cord or plug is damaged, liquid has been spilled or objects have fallen into the apparatus, the apparatus has been exposed to rain or moisture, does not operate normally, or has been dropped.



URBAN

Scan to Know
more about
the product

Gourban.in /
Harmonic 2240

