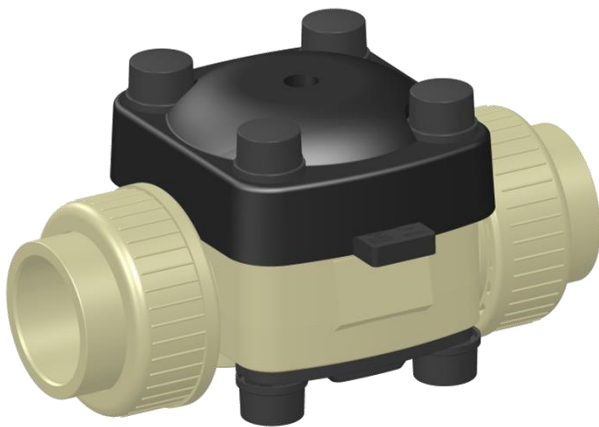
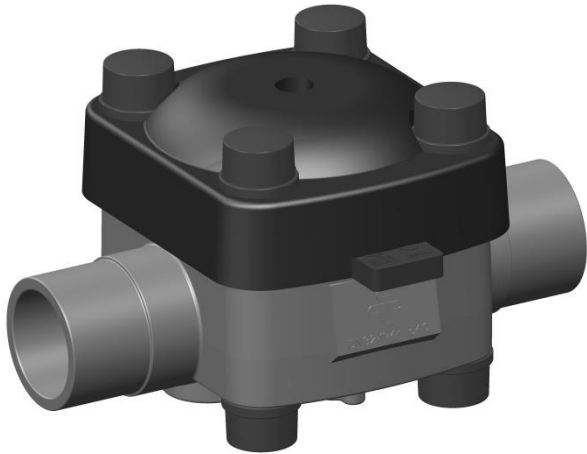


Diaphragm valve T4



General:

- Body material: PVC-U, PP
- Seals: EPDM, FPM
- Diaphragm: EPDM, FPM
- Dimensions: DN15 – DN50
d20 – d63
1/2" – 2"

Connections:

- Union / Solvent socket
PVC-U DIN / ASTM
- Solvent spigot
PVC-U DIN
- Union / Fusion socket
PP DIN
- Fusion spigot
PP DIN

Operating pressure: PN 6

Technical features:

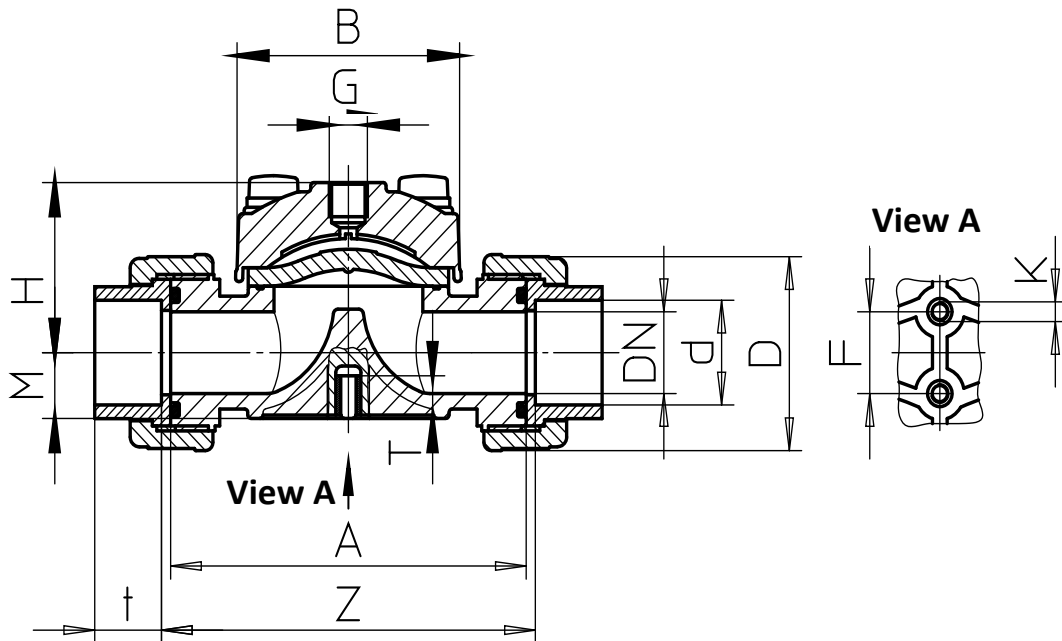
- opening due to medium pressure, therefore easy assembly
- corrosion resistant
- long working life
- suitable for aggressive and dirty media
- radial installation or removal
- easy replacement of the diaphragm
- connection G 1/4" for direct screw in of a solenoid valve or a pneumatic couple

Accessories:

- 3/2 solenoid valve

This document does not constitute a guarantee, it is for initial information purposes only. The product range is constantly upgraded therefore the designs and types only reflect the state of the art at the time of printing.

Diaphragm valve T4



PVC-U / PP

Connector type

PVC-U union / solvent socket

PP union / fusion socket

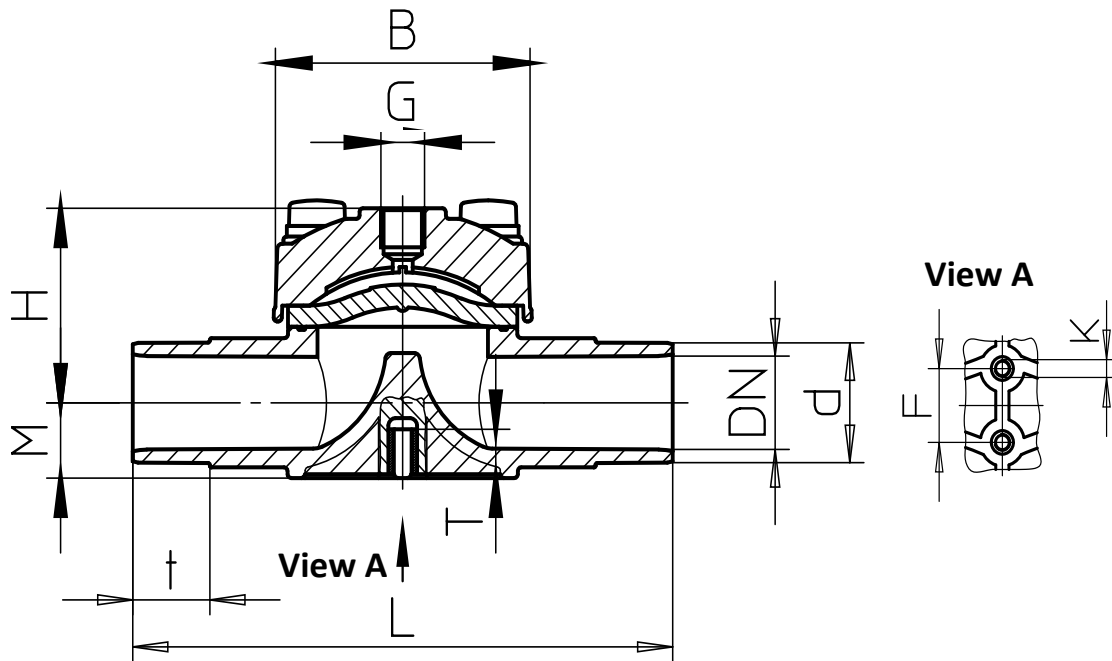
| DN | 15 | 20 | 25 | 32 | 40 | 50 |
|---------|------|-------|-------|-------|-------|-------|
| d | 20 | 25 | 32 | 40 | 50 | 63 |
| inch | ½" | ¾" | 1" | 1 ¼" | 1 ½" | 2" |
| A | 90,0 | 108,0 | 116,0 | 136,0 | 154,0 | 184,0 |
| B | 64,0 | 64,0 | 74,0 | 101,0 | 101,0 | 117,0 |
| D | 43,0 | 53,0 | 60,0 | 74,0 | 83,0 | 103,0 |
| F | 25,0 | 25,0 | 25,0 | 45,0 | 45,0 | 45,0 |
| G | ¼" | ¼" | ¼" | ¼" | ¼" | ¼" |
| H | 47,0 | 47,0 | 53,0 | 70,0 | 70,0 | 78,0 |
| K | M6 | M6 | M6 | M8 | M8 | M8 |
| M | 17,0 | 17,0 | 21,0 | 33,0 | 33,0 | 40,5 |
| t (PVC) | 16,0 | 19,0 | 22,0 | 26,0 | 31,0 | 38,0 |
| t (PP) | 16,0 | 17,0 | 19,5 | 22,0 | 25,0 | 29,0 |
| T | 12,0 | 12,0 | 12,0 | 15,0 | 15,0 | 15,0 |
| Z | 96,0 | 114,0 | 122,0 | 142,0 | 160,0 | 190,0 |

Dimensions in mm

© Praher Kunststofftechnik GmbH DB/DEEN/18/04/343/A Subject to technical modification!



Diaphragm valve T4



PVC-U / PP

Connector type

PVC-U solvent spigot

PP fusion spigot

| DN | 15 | 20 | 25 | 32 | 40 | 50 |
|---------|-------|-------|-------|-------|-------|-------|
| d | 20 | 25 | 32 | 40 | 50 | 63 |
| inch | ½" | ¾" | 1" | 1 ¼" | 1 ½" | 2" |
| B | 64,0 | 64,0 | 74,0 | 101,0 | 101,0 | 117,0 |
| F | 25,0 | 25,0 | 25,0 | 45,0 | 45,0 | 45,0 |
| G | ¼" | ¼" | ¼" | ¼" | ¼" | ¼" |
| H | 47,0 | 47,0 | 53,0 | 70,0 | 70,0 | 78,0 |
| K | M6 | M6 | M6 | M8 | M8 | M8 |
| L | 124,0 | 144,0 | 154,0 | 174,0 | 194,0 | 224,0 |
| M | 17,0 | 17,0 | 21,0 | 33,0 | 33,0 | 40,5 |
| t (PVC) | 16,0 | 19,0 | 22,0 | 26,0 | 31,0 | 38,0 |
| t (PP) | 16,0 | 17,0 | 19,5 | 22,0 | 25,0 | 29,0 |
| T | 12,0 | 12,0 | 12,0 | 15,0 | 15,0 | 15,0 |

Dimensions in mm

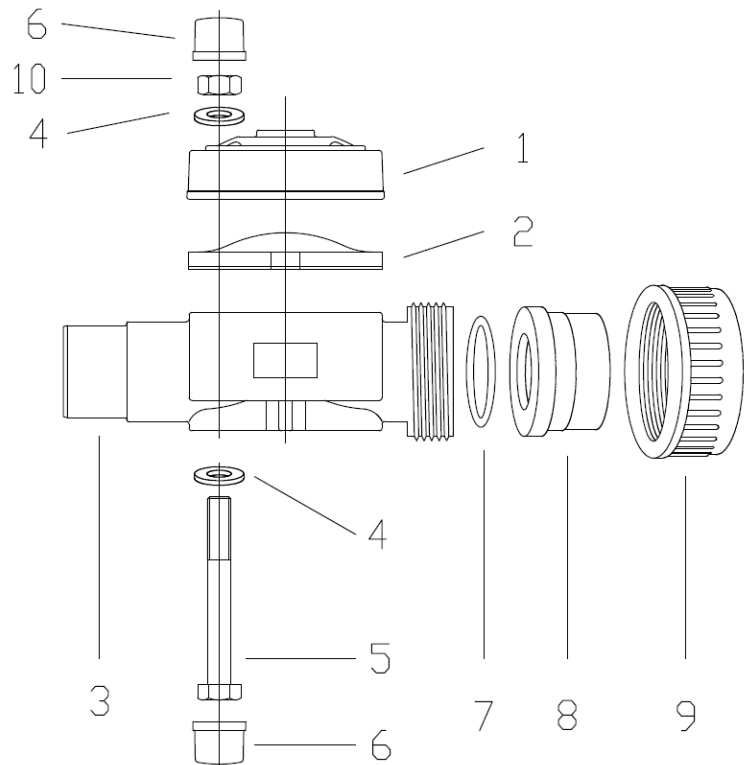


Diaphragm valve T4

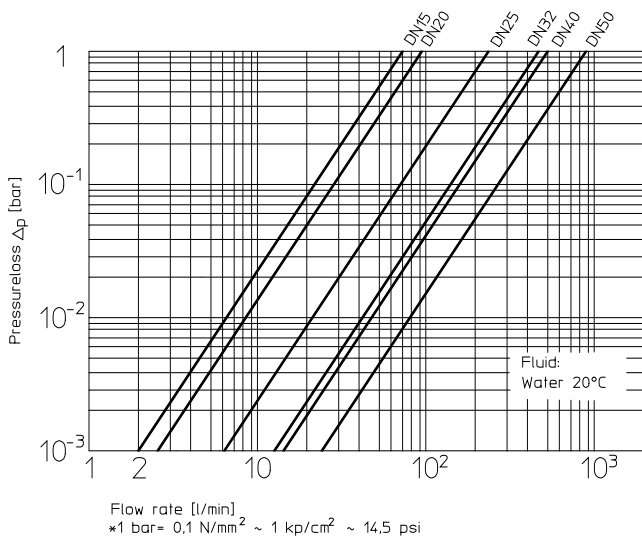


Exploded drawing

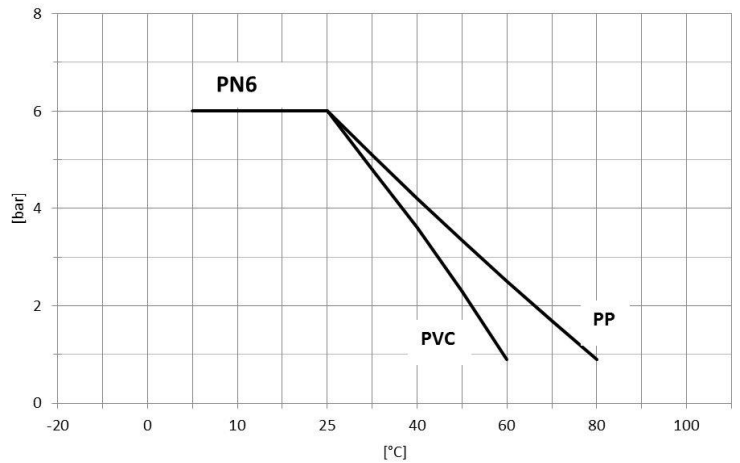
- 01. Pneumatic top
- 02. Diaphragm
- 03. Spigot
- 04. Shim
- 05. Screw
- 06. Cover
- 07. O-Ring
- 08. Socket
- 09. Union nut
- 10. Hex nut



Flow - Pressure loss diagram



Pressure - Temperature diagram PVC-U and PP



Cv value table

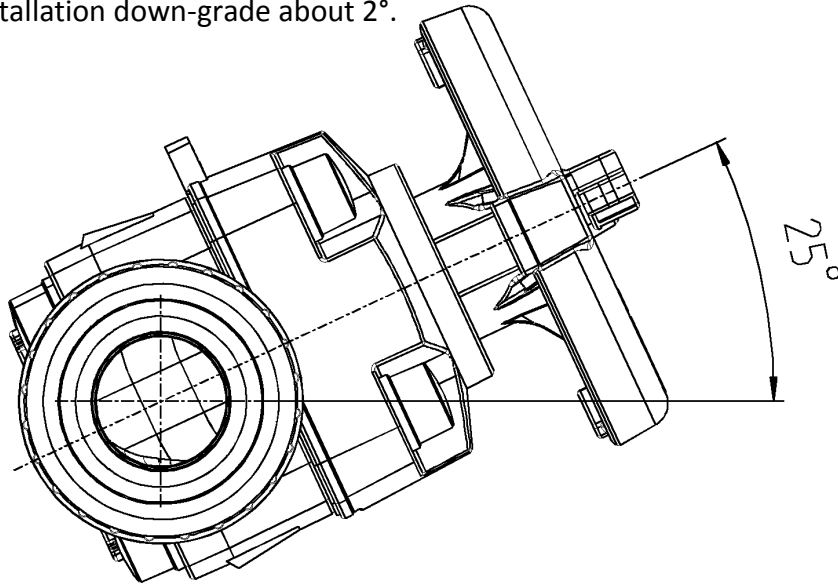
| Pressure loss | DN15 | DN20 | DN25 | DN32 | DN40 | DN50 | DN65 | DN80 | DN100 | DN125 |
|---------------|----------|----------|-----------|-----------|-----------|-----------|-------------|-------------|-------------|-------------|
| 1 bar | 70 l/min | 95 l/min | 250 l/min | 450 l/min | 500 l/min | 880 l/min | 1.100 l/min | 1.700 l/min | 2.700 l/min | 4.000 l/min |



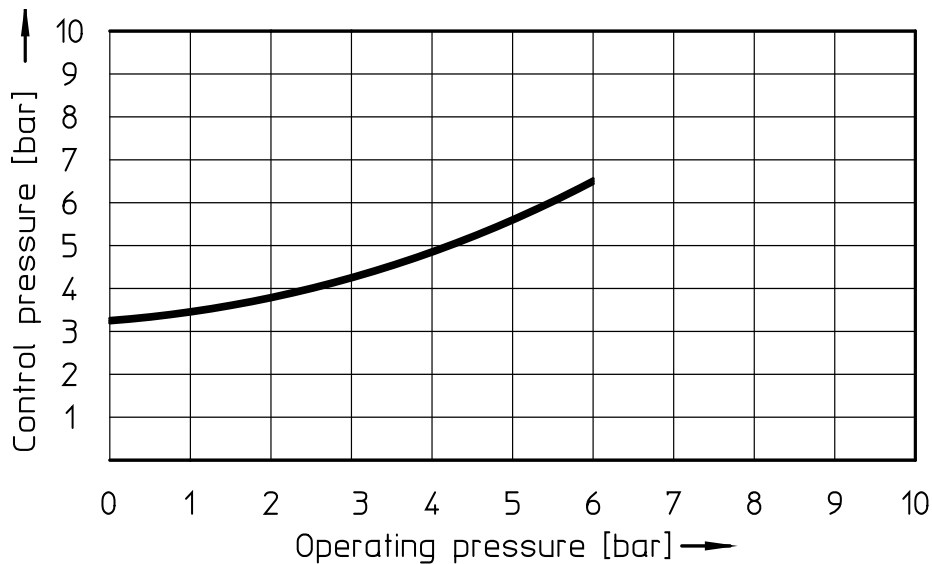
Diaphragm valve T4

Emptying of diaphragm valves

In order to achieve the optimum emptying of the diaphragm valve in horizontal mounted piping systems, we recommend the installation of the diaphragm valve according to the respective angle of rotation and an installation down-grade about 2°.



Control pressure – Operating pressure – Diagram



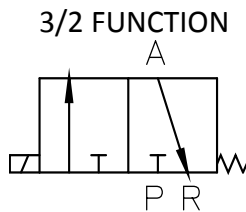
Diaphragm valve T4

Note

- ⇒ To protect the diaphragm do not choose the control pressure higher than necessary (see diagram above)!
- ⇒ Due to the direct actuated diaphragm, the operating pressure of the diaphragm valve is PN6 and not PN10 as stated at the diaphragm body!

Accessories:

3/2 SOLENOID VALVE



General

- Solenoid valve with 3/2-way function and with standard coil
- Protection class IP65 with cable plug
- Emergency manual override
- Service port G ¼" and plug-in connector Ø6mm

Material

- Body: Polyamide (PA)
- Bolt: Brass nickel plated
- Seal: NBR

Power Supply:

- 24 V DC Item no. 50063
- 230 V AC Item no. 50050