

MT Series Data Sheet**

Product ID MT510F3C0D

PRODUCT NAME

High Performance Alu. Solenoid Valve

MODEL NO.

MT510F3C0D

DESCRIPTION OF THE PRODUCT

Based on NAMUR standard (32×24), the MT510F3C0D NAMUR solenoid valve can be adapted for 3/2 NC or 5/2 functions for controlling double-acting and single-acting pneumatic actuators. Working pressure from 2 bar to 8 bar and the working voltage from 12-48VDC, 110-240VAC.



Sample picture only

APPROVED BY

Solenoid Coil: C0D

CE IP66 NEMA4,4X

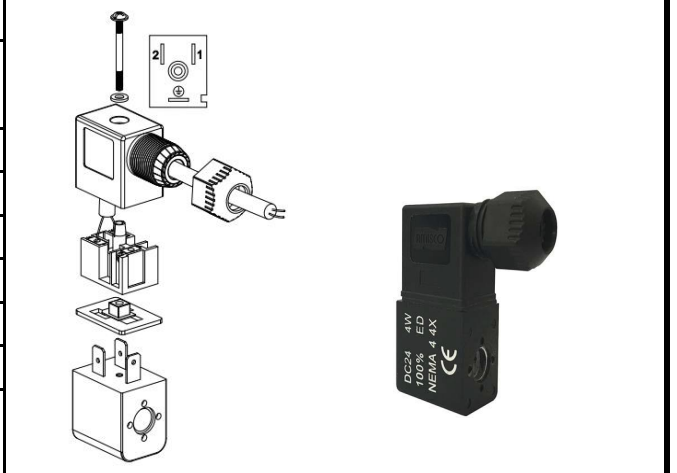
Operating Voltage 12/24/48VDC-4W
110/120/220/240VAC-4VA (50/60HZ)

SPECIFICATIONS AND TECHNICAL DATA

| | |
|--|--|
| Spool Valve/Body | Extruded Aluminum |
| Coating | Anodized Coated |
| Seal | Buna N |
| Materials in Contact with Fluid | Aluminum, Glass-filled Resin, Buna N |
| Function | 5/2 or 3/2NC, Monostable, Pilot Operation |
| Air Ports | Air Ports 1/4" BSPP or NPT |
| Flow Rate | CV =1.1(19.63mm ²) |
| Installation and Connection | 24×32 Namur, Manual override Std. on or manual override off - disabled |
| Fasteners | Stainless Steel |
| Environment | Indoor and Outdoor |
| Medium Temperature* | -20℃ ~ 80℃ |
| Working Pressure | 2~8 bar |
| Working Medium | Less Than 40µm Filtered and Dried Air |
| Bistable (MT520F3-) | Available On Requiring |
| Working Life | More Than 1000,000 Cycle (On The Normal Working Condition) |

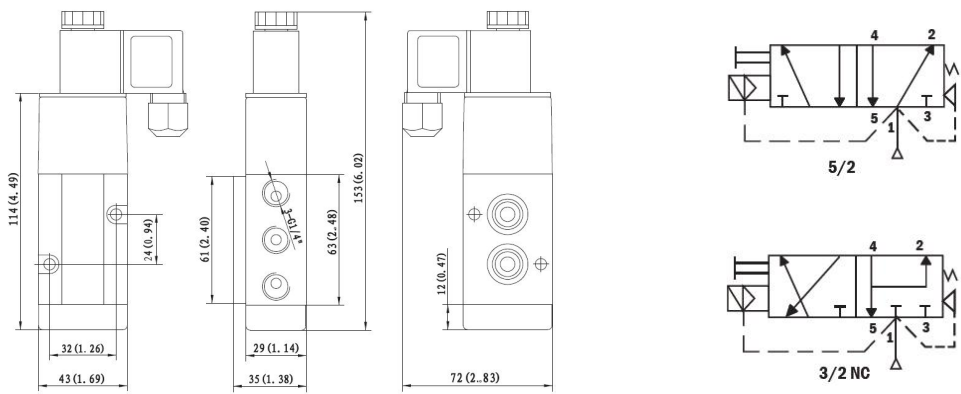
| | |
|------------------------------|--------------------------------|
| Voltage Tolerance | ±10% |
| Wiring Connector | External Thread Din Plug |
| Cable Size | Dia.5-10mm |
| Insulation Protection | F Class (H Class On Requiring) |
| Insulated Voltage | 1000V |
| Duty Factor | 100% ED |
| Weather Proof | IP66 |
| Operating Temp.* | -20℃ ~ 80℃ |

Wiring Diagram



* When the operating temp. is different with medium temperature, the smaller absolute value must be chosen.

DRAWING AND DIMENSION



**For continuous improvement of the product, we reserve the right to alter the dimensions, technical data and information included in this data sheet..

FLOW CONTROL TECHNOLOGY

Tel: (03) 9290 9813
info@fluidflo.com.au www.fluidflo.com.au