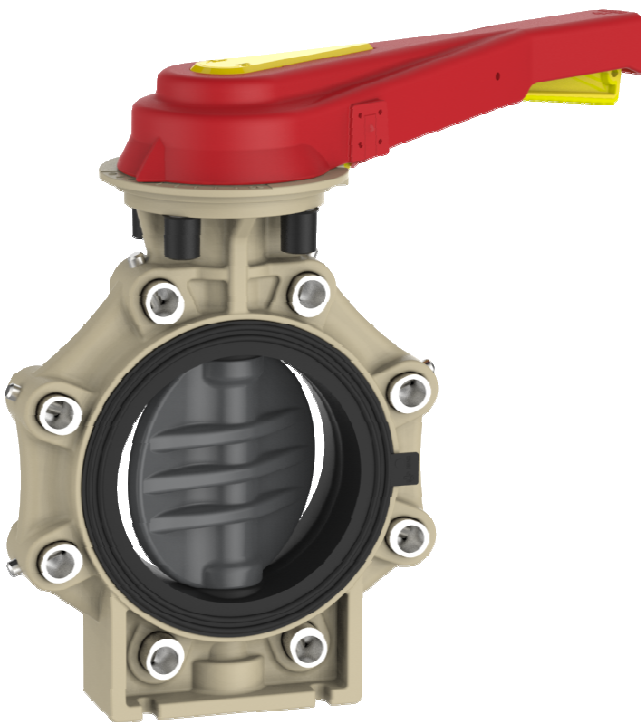


Butterfly valve K4 Lug-Type with hand lever



General:

- Sealing materials: EPDM
FPM
- Body material: PP-GF
- Flap materials: PVC-U, PP-H, PVDF
- Dimensions: DN65 – DN200
d75 – d225
2 ½" – 8"
- Flange standards: DIN 2501 PN 10
ANSI B 16,5 Class 150
- Additional dimensions: DN65/d63 PVC-U
DIN 2501 PN 10
- Insert material: INOX A4
- Pin material: INOX A2

Operating pressure:

PVC-U, PP-H, PVDF

Used as intermediate butterfly valve: PN10

Technical features

- only sleeve gasket and flap in touch with medium
- double sealed shaft
- integrated bracket for fix point mounting
- simple and quick assembling of the actuator without any extra parts
- 10 different disc locking positions
- Reliable „Locking-handle-system“
- Hand lever with marking plate (different colours available)
- Metal adapter between handle and shaft avoids abrasion of the handle
- If used as End-of-line valve a blind flange has to be mounted on the free connection side.
- Pressure has to be reduced if a flange is disassembled on one side
 - DN65 to DN125 → max. 6bar
 - DN150 to DN200 → max. 4bar

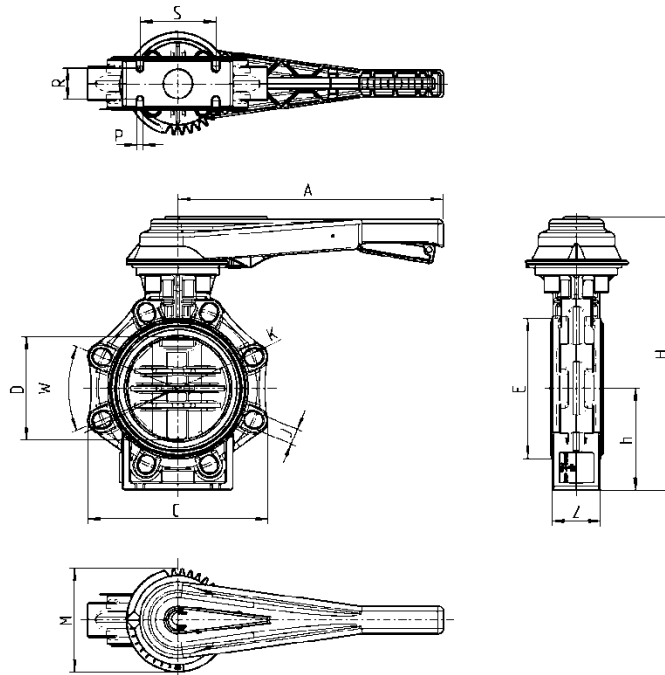
Only temporary usage

This document does not constitute a guarantee, it is for initial information purpose only. The product range is continually upgraded, the designs and types therefore only reflect the state of the art at the time of printing. Subject to technical modifications!

Butterfly valve K4 Lug-Type with hand lever



Dimensions:



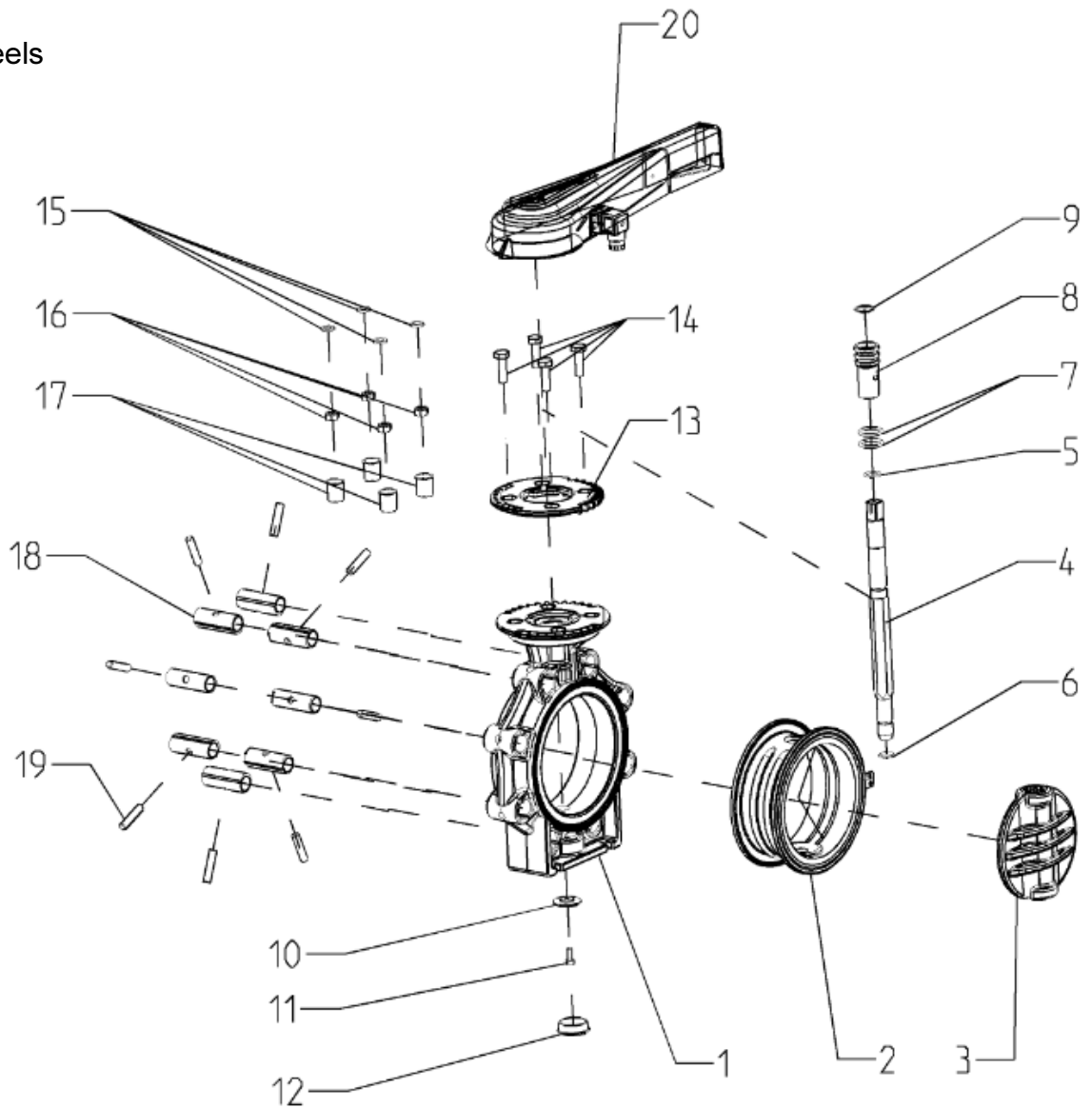
DN	65	80	100	125	150	200
d	75	90	110	140	160	225
G	2 1/2"	3"	4"	5"	6"	8"
A	230	230	300	300	386	386
D	65	80	100	125	150	200
C	133	176	206	234,5	261	314
W	90°	45°	45°	45°	45°	45°
J	19	19	19	23	23	23
K	127 – 145	146 – 160	175 – 190,5	209,5 – 216	234,5 – 241,3	290 – 298,45
K-DIN	145	160	180	210	240	295
K-ANSI	139,7	152,4	190,5	215,9	241,3	298,45
H	285	292	322	358	396	458
h	100	100	115	130	147,5	175
E	98	116	146	170	196	251
M	114	114	114	114	150	150
Z	46	49	56	64	70	71
S	55	70	85	100	110	145
R	25	30	35	45	45	40
P	7	9	9	9	9	9

Dimensions in mm

Butterfly valve K4 Lug-Type with hand lever

Exploded drawing:

- 01. Body
- 02. Sleeve
- 03. Flap
- 04. Shaft
- 05. Sealing shaft above
- 06. Sealing shaft below
- 07. Sealing pilot bushing
- 08. Pilot bushing
- 09. Retaining ring
- 10. Holding disc
- 11. Screw
- 12. Cap
- 13. Cover plate
- 14. Screws
- 15. Tooth wheels
- 16. Nuts
- 17. Caps
- 18. Inserts
- 19. Pins
- 20. Handle

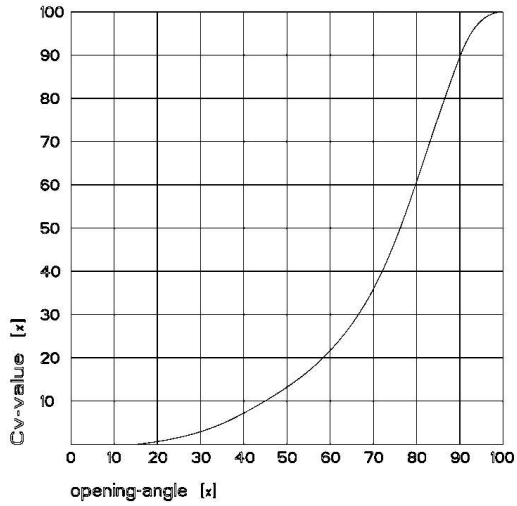


Butterfly valve K4 Lug-Type with hand lever

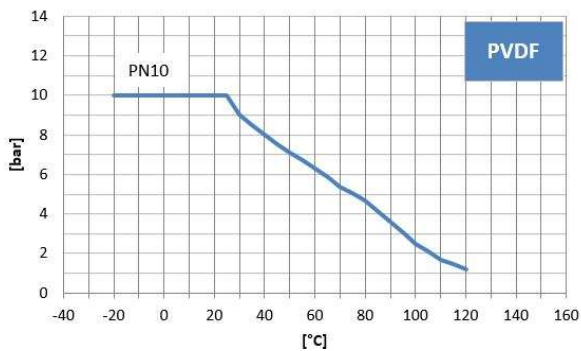
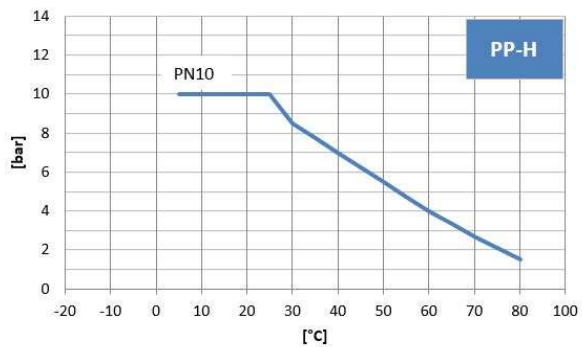
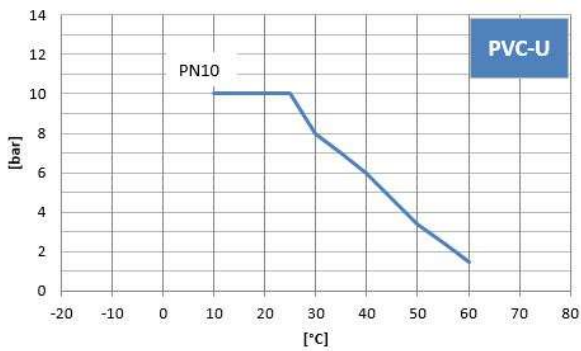


Diagrams:

Flow – characteristics

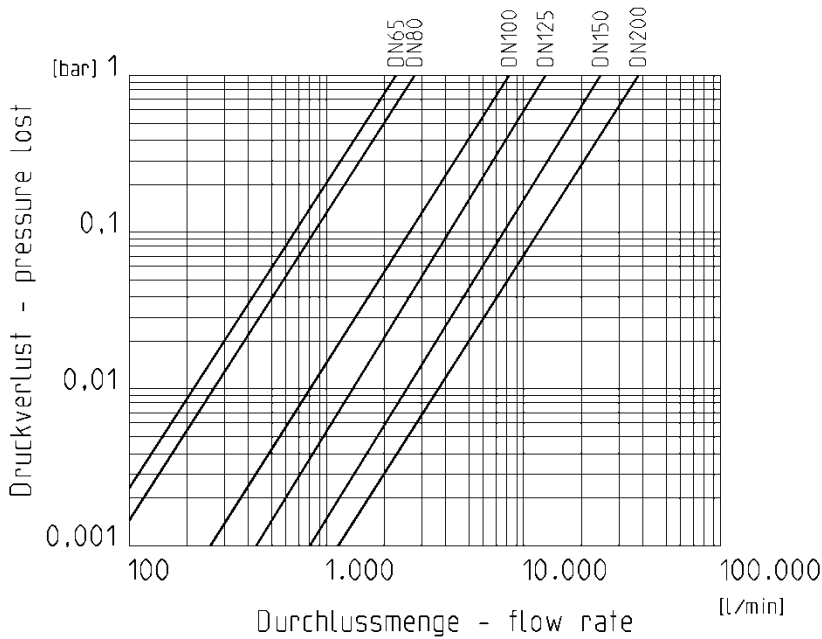


Pressure – Temperature – Diagrams



Butterfly valve K4 Lug-Type with hand lever

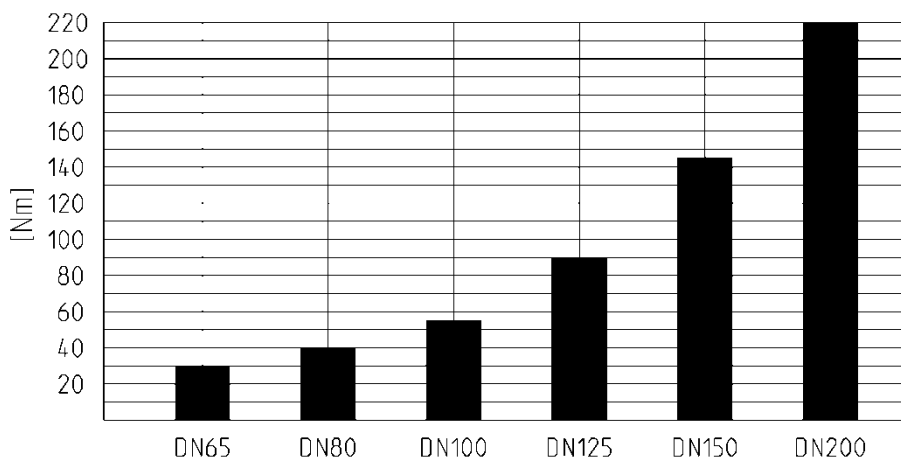
Pressure loss - diagram



Cv value table

Pressure loss	DN65	DN80	DN100	DN125	DN150	DN200
0,001 bar	73 l/min	88 l/min	260 l/min	433 l/min	805 l/min	1200 l/min
1 bar	2.300 l/min	2.800 l/min	8.200 l/min	13.700 l/min	25.500 l/min	38.000 l/min

Torque



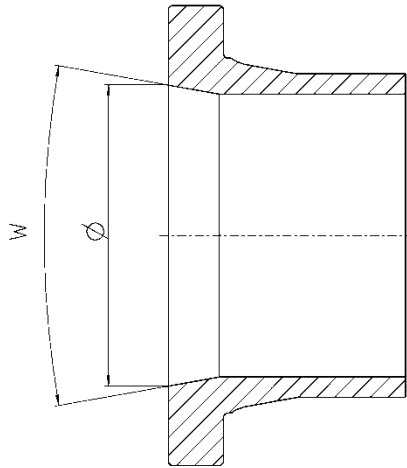
Tightening torque of screws for flange connections

DN	65	80	100	125	150	200
Nm	15	18	20	30	40	55

Butterfly valve K4 Lug-Type
with hand lever

Installation in piping:

For a correct and complete opening of the flap, it is necessary that the used sockets and stub flanges have at least an inner diameter according to the table.



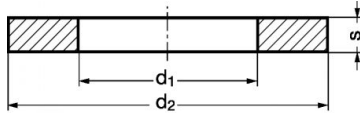
DN	d	Ø (mm)	w (°)
DN50*	d63*	60	40
DN65	d75	60	40
DN80	d90	77	40
DN100	d110	96,5	40
DN125	d140	121,5	40
DN150	d160	146,5	40
DN200	d225	203	40

* Suitable only for **DIN** DN50 d63 sockets and stub flanges.

Butterfly valve K4 Lug-Type with hand lever

General installation instructions:

- Use suitable washers in accordance with DIN125A.



DN	65	80	100	125	150	200
thread	M16	M16	M16	M16	M20	M20
d1	17	17	17	17	21	21
d2	30	30	30	30	37	37
s	3	3	3	3	3	3

Dimensions in mm

- Adapt screw length to flange or stub flange.
- Check torque of screws on the opposite side, when one-side is removed (see torque of screws at flange connections).