

Butterfly Valve K4

without operation element



General:

- Sealing material: EPDM
FPM
- Body material: PP-GF
- Disc material: PVC-U
PP
PVDF
- Dimensions: DN65 – DN250
d75 – d280
2 ½" – 10"
- Flange connections: DIN 2501 PN10
ANSI B 16,5 Class 150
JIS 10 K [for DN65-DN150 only*]
BS Table D&E
- Additional dimension: DN65/d63 PVC-U
DIN 2501 PN10

* for mounting between JIS-Flanges DN200 please contact us
* installation between JIS flanges DN250 is not possible

Operating pressure:

PVC-U, PP, PVDF	DN65-DN200	PN10
PVC-U, PP, PVDF	DN250	PN8

Technical characteristics:

- only sleeve gasket and disc in touch with medium
- double sealed shaft
- integrated bracket for mix point mounting
- simple and quick assembling of the actuator without any extra parts

This print contains no warranty promise, but it should give you some first information. The product range is extended continuously, therefore the versions and types correspond to the actual status of printing. Subject to technical modifications!

© Praher Plastics Austria GmbH DB/DE/20/12/214/E Subject to technical modifications!

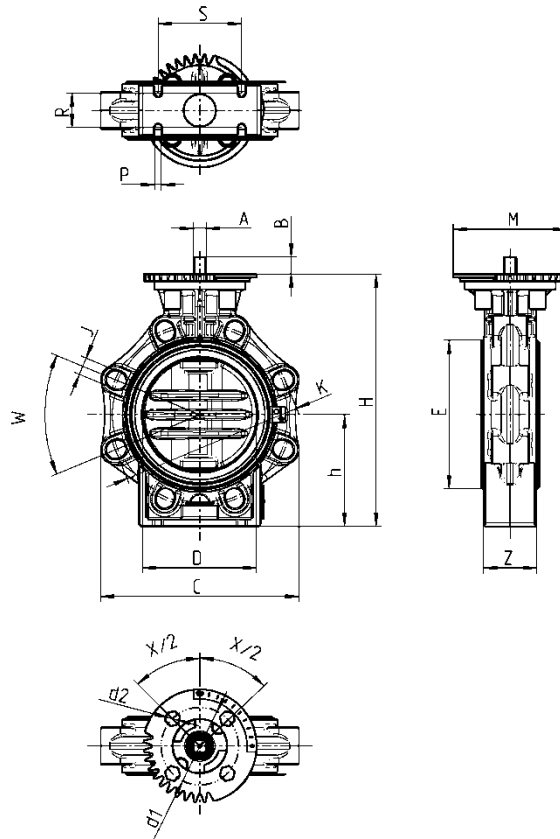


Butterfly Valve K4

without operation element



Dimensions:



									with cover plate	
DN	65	80	100	125	150	200	250	150	200	
d	75	90	110	140	160	225	280	160	225	
G	2 1/2"	3"	4"	5"	6"	8"	10"	6"	8"	
A	11	11	14	14	17	17	22	17	17	
B	17,5	17,5	19,5	19,5	23	23	23,5	23	23	
C	133	176	206	234,5	261	314	392	261	314	
D	65	80	100	125	150	200	231	150	200	
E	98	116	146	170	196	251	317	196	251	
h	100	100	115	130	147,5	175	215	147,5	175	
H	232	239	269	303,5	333	395	460	333	395	
J	19	19	19	23	23	23	22 / 25,4	23	23	
K	127-145	146-160	175-190,5	209,5-216	234,5-241,5	290-298,5	350-362	234,5-241,5	290-298,5	
M	114	114	114	114	150	150	125	138	138	
P	7	9	9	9	9	9	9	9	9	
R	25	30	35	45	45	40	40	45	40	
S	55	70	85	100	110	145	160	110	145	
W	90°	45°	45°	45°	45°	45°	30°	45°	45°	
Z	46	49	56	64	70	71	114	70	71	

Dimensionen in mm



Butterfly Valve K4

without operation element



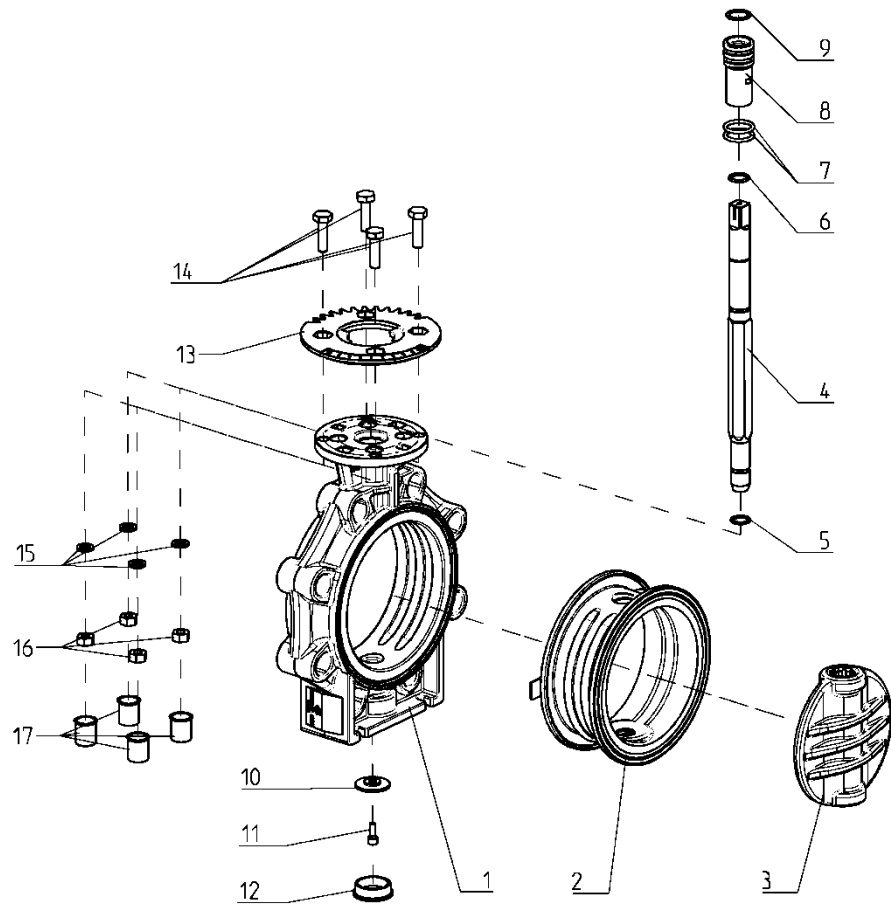
Adapters of pivoting valves – flange dimensions

DN	Flange Typ ISO 5211	d1	d2	X/2	A
65	F07	70	M8	45°	11
80	F07	70	M8	45°	11
100	F07	70	M8	45°	14
125	F07	70	M8	45°	14
150	F10	102	M10	45°	17
200	F10	102	M10	45°	17
250	F10	102	M10	45°	22
with Adapter plate					
150	F07	70	M8	45°	17
200	F07	70	M8	45°	17

Dimensions in mm

Exploded drawing:

- 01. Body
- 02. Sleeve
- 03. Disc
- 04. Shaft
- 05. Seal shaft below
- 06. Seal shaft above
- 07. Seal pilot bushing
- 08. Pilot bushing
- 09. Retaining ring
- 10. Holding disc
- 11. Screw
- 12. Cap
- 13. Cover plate*
- 14. Screws
- 15. Tooth wheels
- 16. Nuts
- 17. Caps



* DN250 without Adapter plate

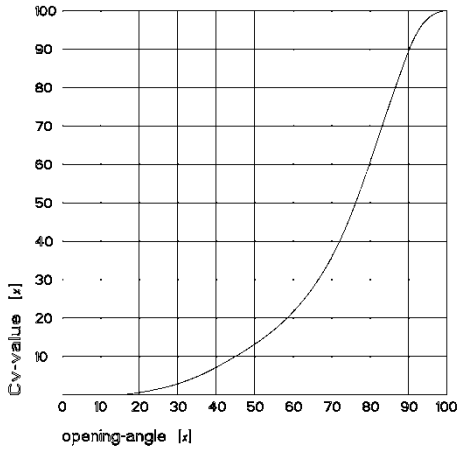


Butterfly Valve K4 without operation element

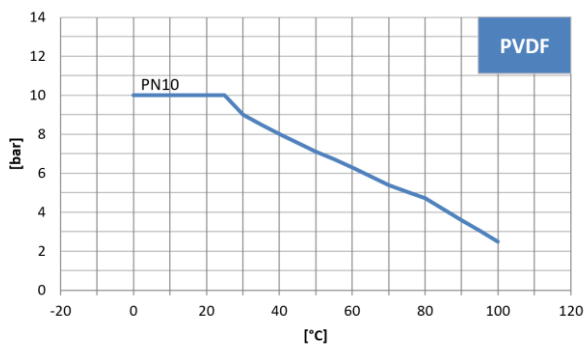
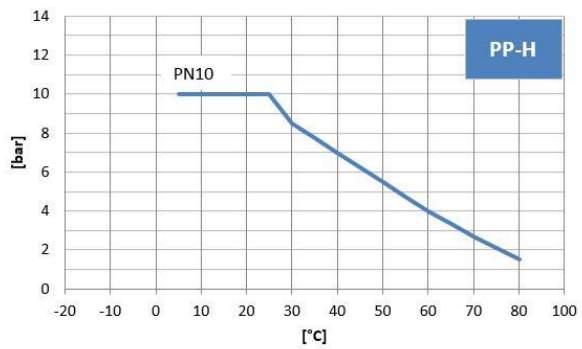
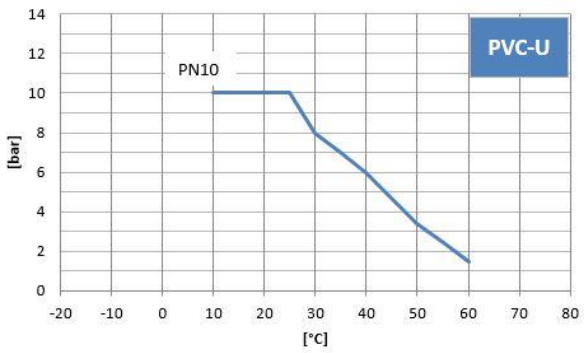


Diagrams:

Flow – Characteristic



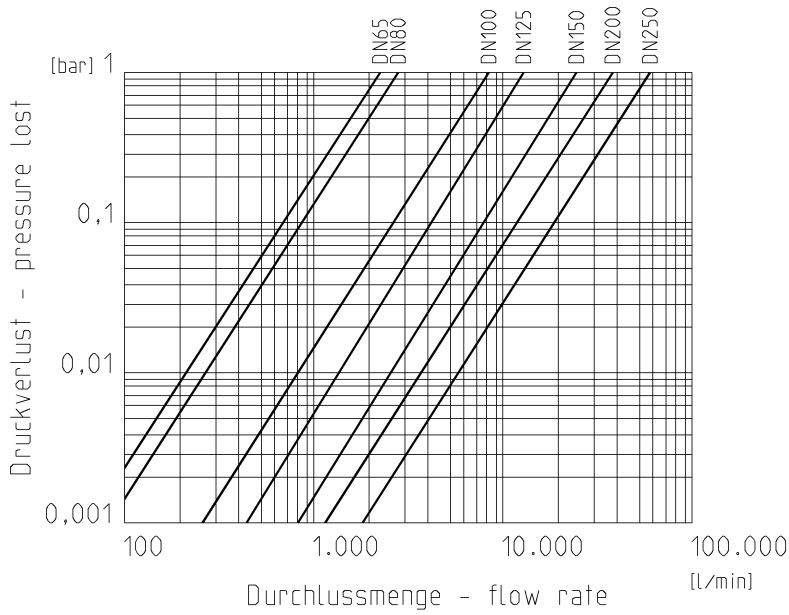
Pressure – Temperature – Diagrams



Butterfly Valve K4 without operation element



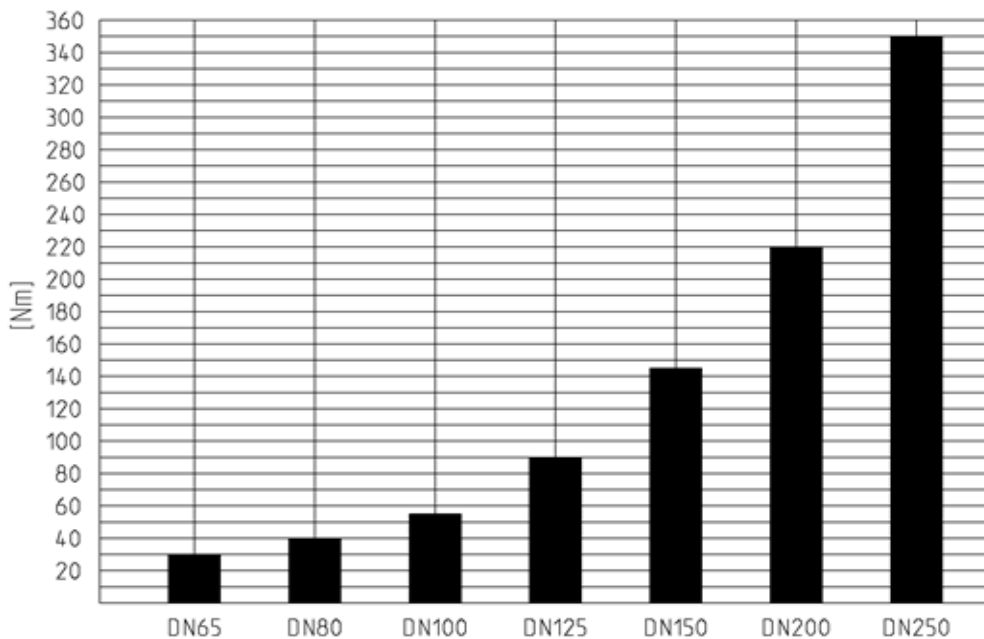
Pressure - loss – Diagramm



Cv value

Pressure - loss	DN65	DN80	DN100	DN125	DN150	DN200	DN250
0,001 bar	73 l/min	88 l/min	260 l/min	433 l/min	805 l/min	1200 l/min	1820 l/min
1 bar	2300 l/min	2800 l/min	8200 l/min	13700 l/min	25500 l/min	38000 l/min	57600 l/min

Torque



Butterfly Valve K4

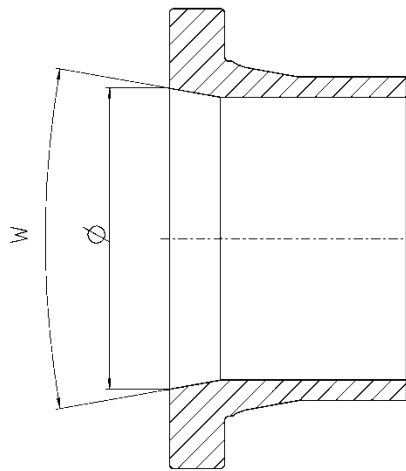
without operation element

Tightening torques for screws for flange connections

DN	65	80	100	125	150	200	250
Nm	15	18	20	30	40	55	80

Installation in piping:

For a correct and complete opening of the flap, it is necessary that the used sockets and stub flanges have at least an inner diameter according to the table.



DN	d	Ø (mm)	w (°)
DN50*	d63*	60	40
DN65	d75	60	40
DN80	d90	77	40
DN100	d110	96,5	40
DN125	d140	121,5	40
DN150	d160	146,5	40
DN200	d225	203	40
DN250	d280	248	40

* Suitable only for DIN DN50 d63 sockets and stub flanges.