

SV-M-16 Series

TELEPHONE: (03) 9290-9813
 INFO@FLUIDFLO.COM.AU
 WWW.FLUIDFLO.COM.AU



PILOT OPERATED SOLENOID VALVES TO 16BAR

Technical Data

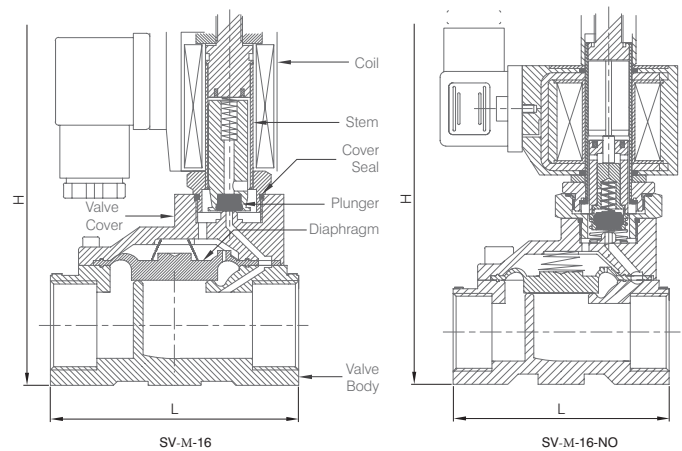
Size Range:	10mm - 25mm
Suitable for:	Water, air and oil under 20 CST
Maximum Temperature:	NBR 80 deg C Viton 120 deg C EPDM 120 deg C
Voltages available:	220 VAC/6VA , 24 VDC/6W (other voltage upon request)
Connections:	BSP (standard) or NPT

The SV-M-16 range is a pilot operated solenoid valve that will work from 0.5 bar pressure and is available in brass or stainless steel. Models include SV-M-16 which is normally closed (energize to open)

All models feature investment cast body, interchangeable coils and LED din plug.



Parts List



Dimensions

MODEL	FUNCTION	BODY MATERIAL		SIZE (MM)	L x H (MM)	CV FACTOR
SV-M-16	Normally Closed	Brass	Stainless Steel	10	62 x 84	2.4
			Stainless Steel	15	62 x 84	2.4
		Stainless Steel	20	80 x 93	6.0	
		Stainless Steel	25	100 x 102	8.5	

Selection List

MODEL & SIZE (MM)	MINIMUM PRESSURE BAR	OPERATING PRESSURE BAR (GAS)		OPERATING PRESSURE BAR (WATER)		OPERATING PRESSURE BAR (GAS)		POWER CONSUMPTION		COIL TYPE & CODE (D=DIN PLUG)			
		AC	DC	AC	DC	AC	DC	220VAC (VOLT AMPS)	24VDC (WATTS)	240VAC N/A	24VAC N/A	24VDC	12VDC N/A
SV-M-16 DN15-25	0.5	16	10	16	10	16	10	6	6				D17-16106A

FACTORY ACCREDITED:

