

FRV-316-& FRV-316-LE

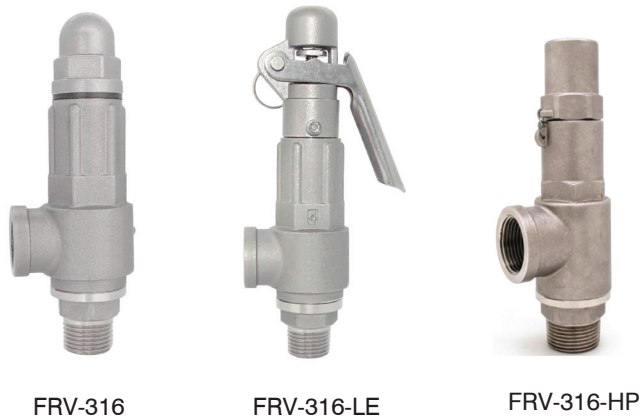
TELEPHONE(03)9290-9813
INFO@FLUIDFLO.COM.AU
WWW.FLUIDFLO.COM.AU



BRONZE SAFETY RELIEF VALVES

Features

- Serviceable sealing disc.
- PTFE disc seal for leak free seal.
- Easily set pressure adjustment
- Tamper resistant cap (FRV) or lockable lever (FRV-LE).
- Spring ranges from 0.1 to 130bar
- Temperature range of -45 °C to +185 °C.



Technical Data

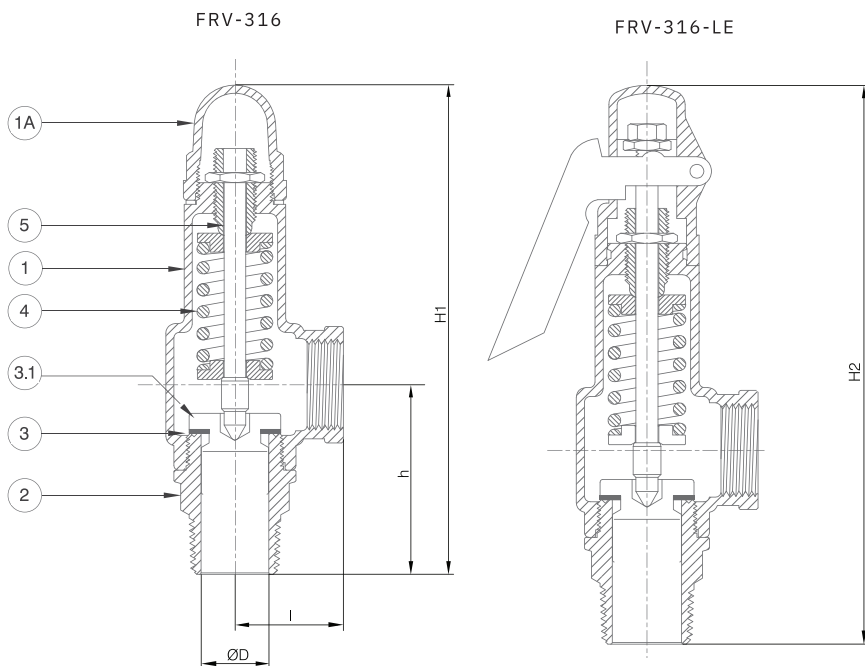
Size Range:	15mm - 50mm (BSP Male)
Spring Range:	0.1 - 130 bar
Temperature Range:	-45 °C to +185 °C
Connections:	BSP (Flanged or NPT optional)

FACTORY ACCREDITED:



Materials & Parts List

NO.	DESCRIPTION	MATERIAL
1	Body	316SS
1A	Cap	316SS
2	Seat	316SS
3.1	Sealing Disc	316SS
3	Disc Seal	PTFE
4	Spring	304SS (Optional 316SS)
5	Stem	316SS



Dimensions (MM)

FRV-316 & FRV-16-LE											
DN	Inlet (Inch)	Outlet (Inch)	ØD	l	h	H1	H2	Lift	FRV-316 Weight (Kg)	FRV-316-LE Weight (Kg)	Spring range FRV-316-HP
15 (Male)	1/2	1/2	13	29	50	138	161	0.52	0.5	0.6	
20 (Male)	3/4	3/4	16	36	58	150	172	0.76	0.7	0.7	
25 (Male)	1	1	23	40	70	180	202	1.00	1.1	1.2	0.1~2bar,1~5bar,4~11bar,9~16bar up to 40bar on request
32 (Male)	1 1/4	1 1/4	30	50	82	206	222	1.28	1.9	2.0	
40 (Male)	1 1/2	1 1/2	34	54	93	231	246	1.52	2.4	2.4	
50 (Male)	2	2	43	67	102	265	282	2.00	3.9	4.1	Spring range FRV-316-HP
FRV-316-HP & FRV-16-LE											
DN	Inlet (Inch)	Outlet (Inch)	ØD	l	h	H1	H2	Lift	FRV-316-HP Weight (kg)	FRV-316-LE-HP Weight (kg)	
15 (Male)	1/2	1	13	42	65	175	198	1.0	1.2	1.4	
20 (Male)	3/4	1	19	42	66	175	198	1.2	1.2	1.4	0.1~2bar,1~5bar,4~11bar,9~16bar up to 130bar on request
25 (Male)	1	1	21	42	71	180	202	1.5	1.2	1.4	