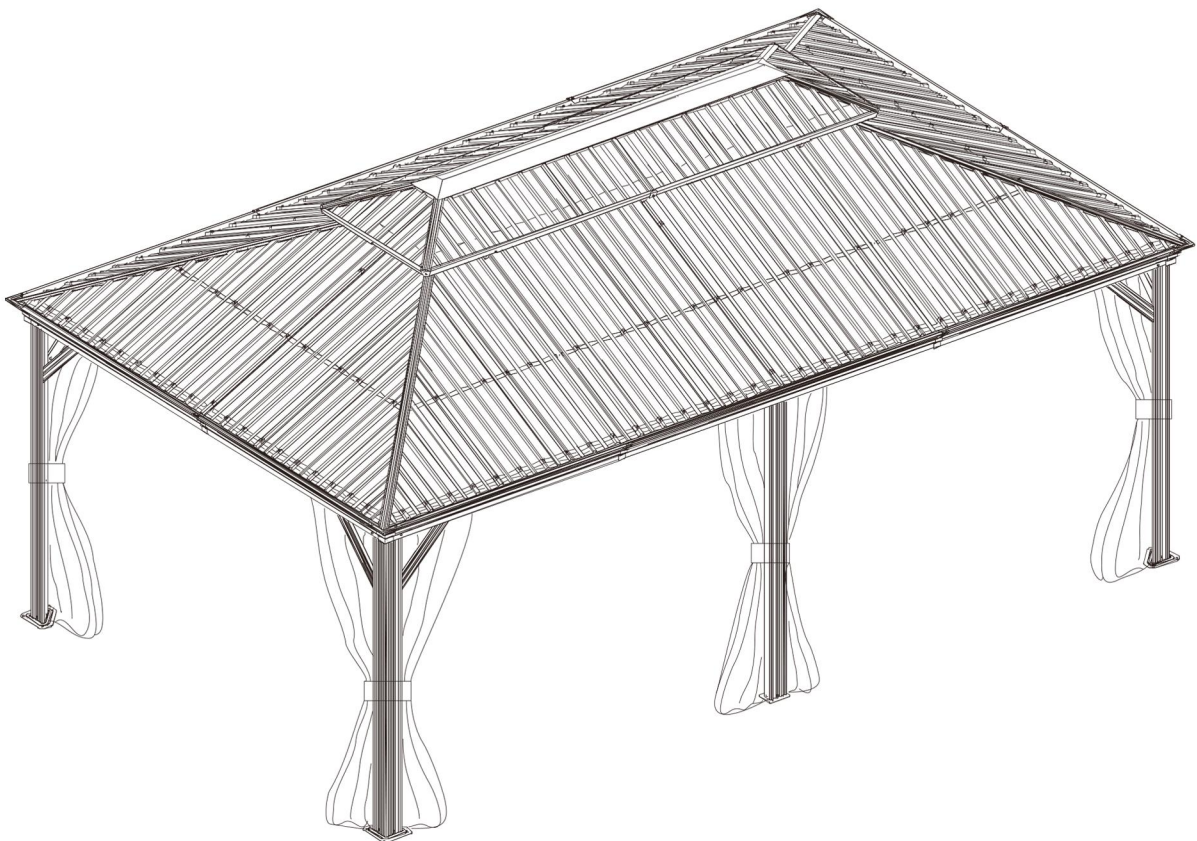




12'×20' WOOD-LOOKING FINISH
HARDTOP GAZEBO WITH DOUBLE ROOF

ASSEMBLY MANUAL



Missing part? Damaged? Contact us via email at
service@domioutdoorliving.com

READ ALL INSTRUCTIONS BEFORE USE

Warning & Attention

-This gazebo is not a toy. Children are not allowed to assemble or disassemble. Please take care of children, do not let them play around when assemble or disassemble.

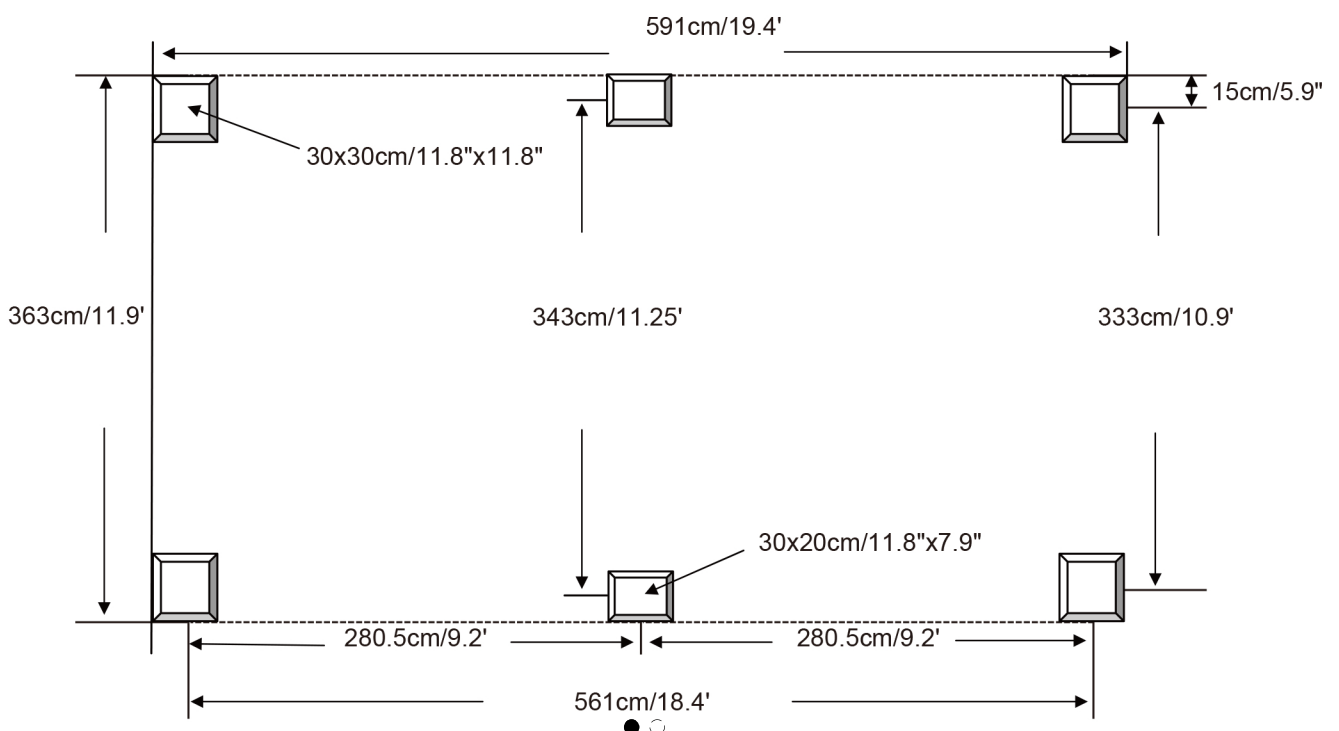
-Adults only for assemble or disassemble this product.



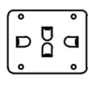


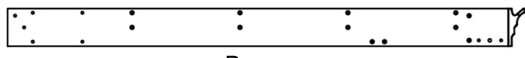

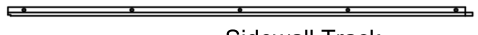




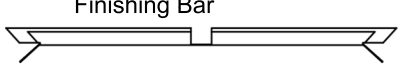
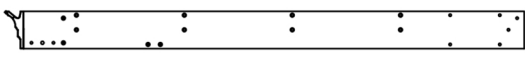
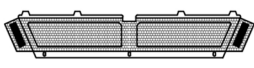
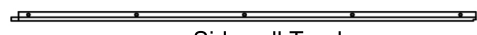
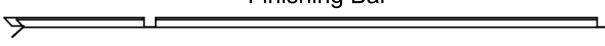



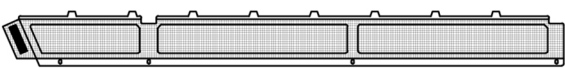
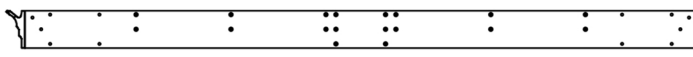
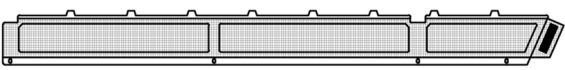

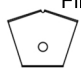
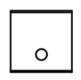
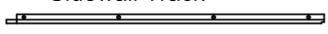
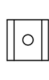

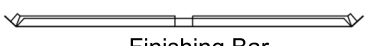

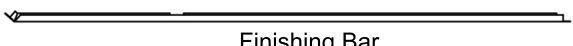
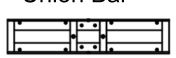
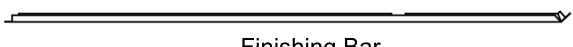
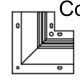
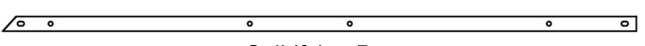


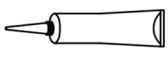

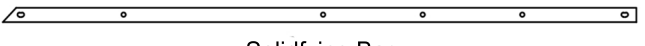


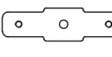
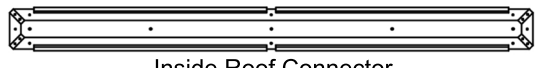
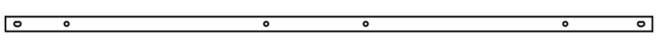
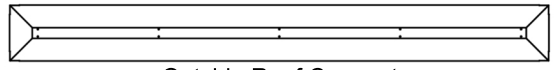
-This product is constructed with heavy duty frame, please do not lean or climb before it finish assembling.

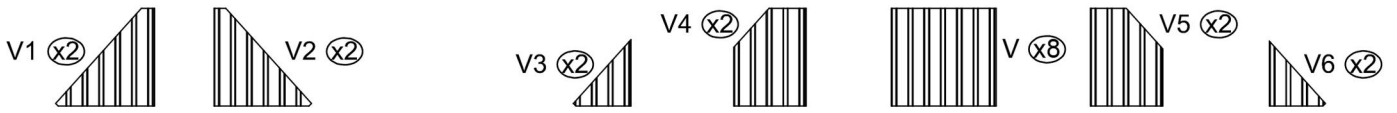
-Even though our hardtop gazebo is sturdy, please do not stand under the gazebo during a lightning storm.

-DO NOT use this gazebo if any parts show signs of instability or damage.

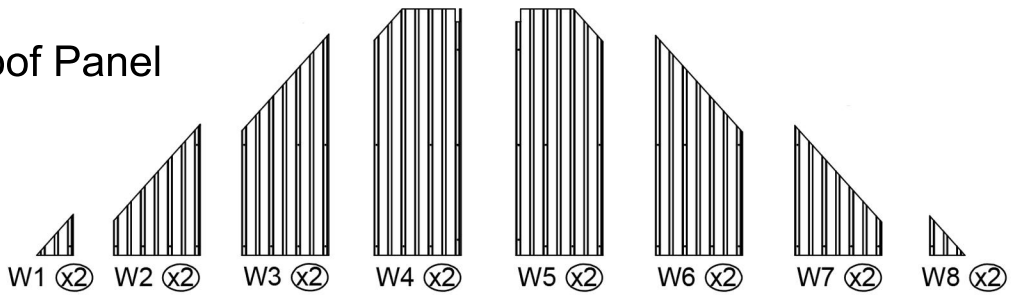
12'x20' ANCHOR BLUEPRINT



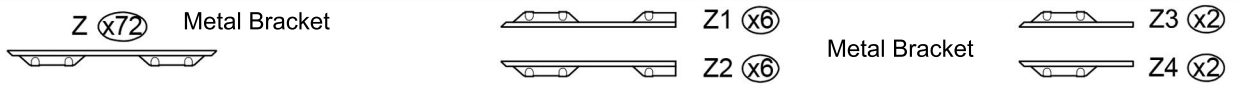
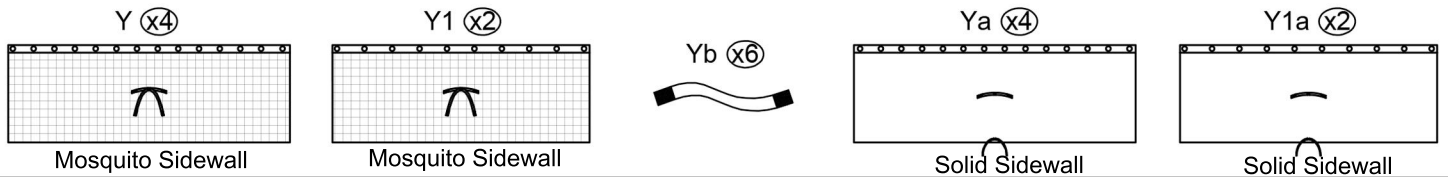
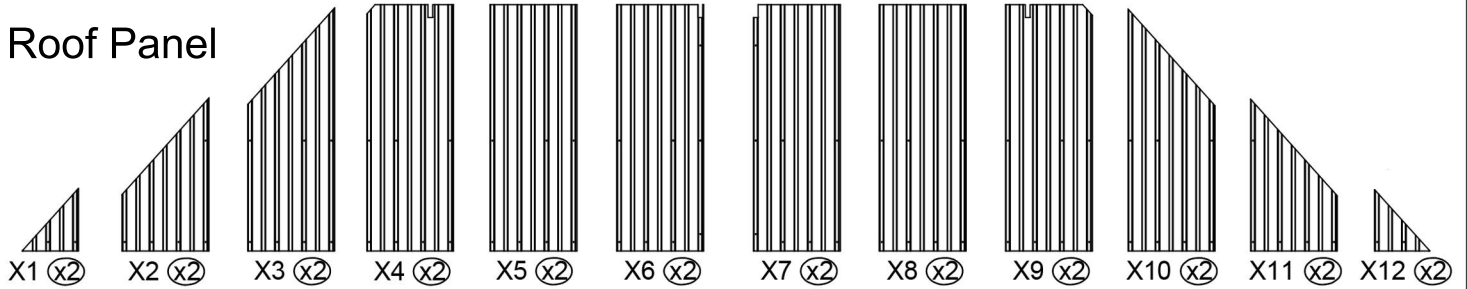
 Pole A (x4)	 Base L (x4)	 Base L1 (x2)
 Pole B (x2)	 Corner Roof Bar M (x4)	
 Beam C (x4)	 Roof Bar N (x2)	
 Sidewall Track C1 (x4)	 Roof Bar N1 (x4)	
 Jointer Bar C2 (x2)	 Roof Bar N2 (x2)	
 Jointer Bar C3 (x2)	 Finishing Bar P (x2)	
 Beam D (x4)	 Net Frame P1 (x2)	
 Sidewall Track D1 (x4)	 Finishing Bar Q1 (x2)	
 Jointer Bar D2 (x2)	 Finishing Bar Q2 (x2)	
 Jointer Bar D3 (x2)	 Net Frame Q3 (x2)	
 Beam E (x2)	 Net Frame Q4 (x2)	
 Sidewall Track E1a (x2)	 Finishing End R (x8)	 Finishing End R1 (x2)
 Sidewall Track E1b (x2)	 Spacer S (x160)	
 Jointer Bar E2a (x2)	 Finishing Bar T (x2)	
 Jointer Bar E2b (x2)	 Finishing Bar T1 (x2)	
 Union Bar F (x6)	 Finishing Bar T2 (x2)	
 Corner Cover G (x4)	 Solidifying Bar U1 (x4)	
 Joint Cover H (x6)	 Joint Cover H1 (x6)	 Joint Cover H2 (x1)
 Corner Solidifying Bar J1 (x4)	 Solidifying Bar U2 (x4)	
 Corner Solidifying Bar J2 (x4)	 Iron Angle U3 (x4)	 Iron Angle U4 (x8)
 Inside Roof Connector K (x1)	 Solidifying Bar U5 (x4)	
 Outside Roof Connector K1 (x1)		



Roof Panel

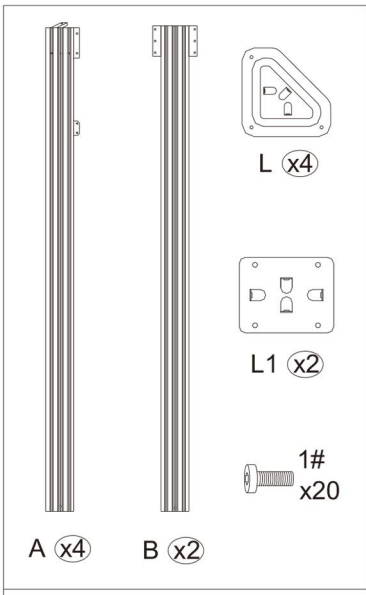


Roof Panel

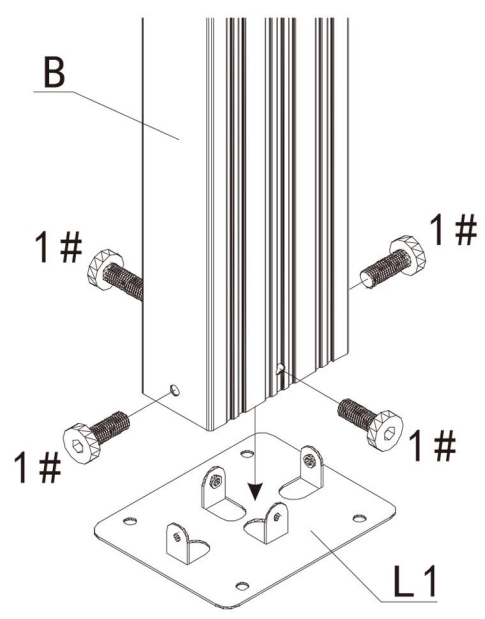
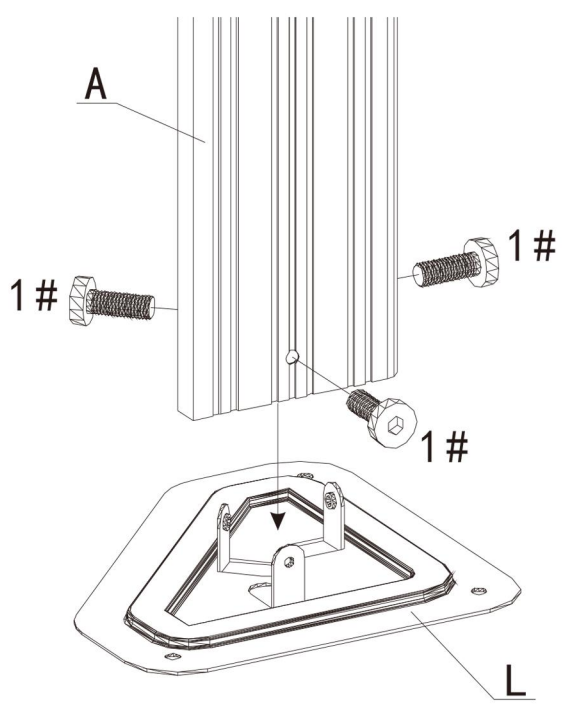
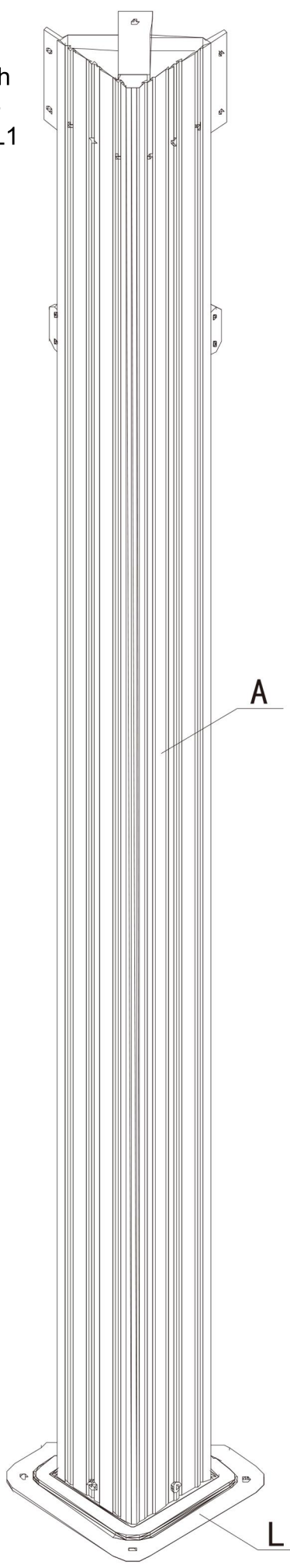


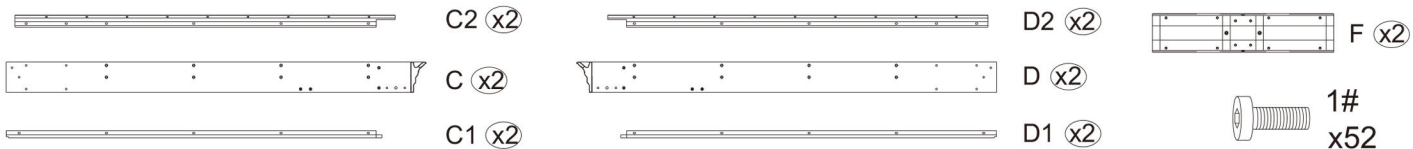
	M6x16	Screws	1# x301+2
	M6x20	Screws	2# x28+2
		Screws	3# x16+2
		Hook	4# x152
	M6x28	Screws	5# x100+2
	M6x45	Screws	6# x8+1
	M6x50	Screws	7# x48+1
	M5x16	Screws	8# x6 +1
	ST4.8x13	Screws	9# x28+2
	M6x25	Screws	10# x4 +1
	M6x10	Screws	11# x12+1



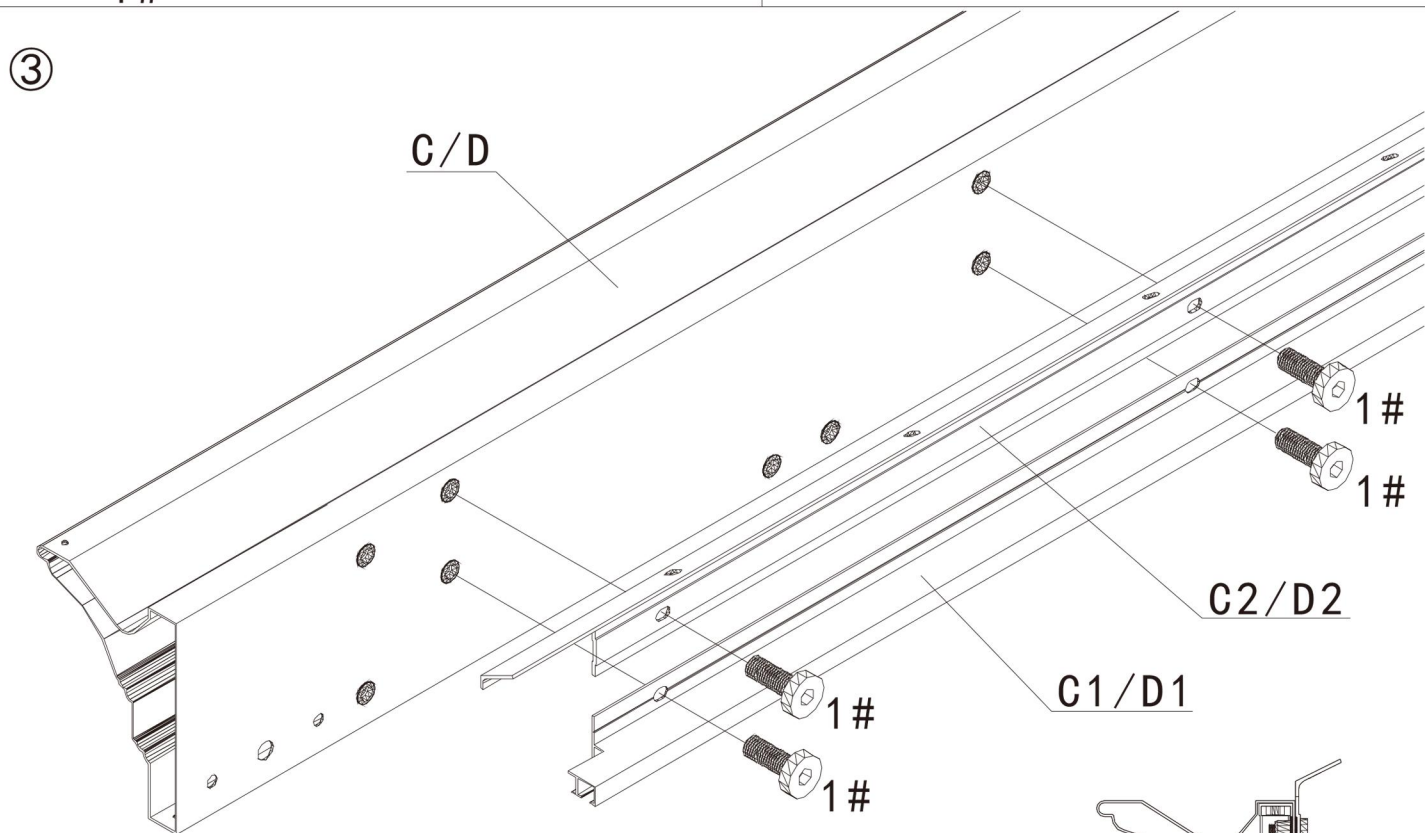
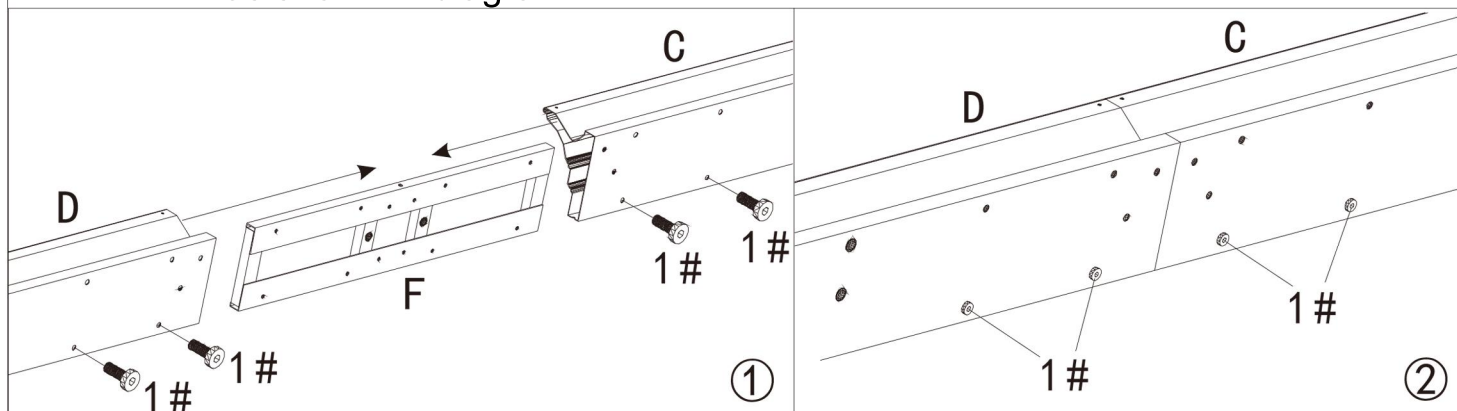


Step 1:
 Set up Part A with Part L and set up Part B with Part L1 using screws 1#.

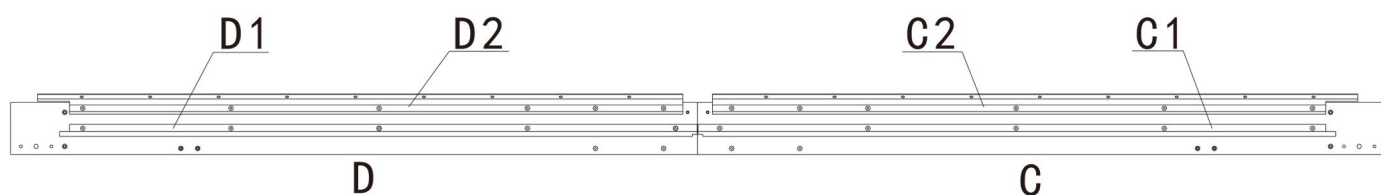


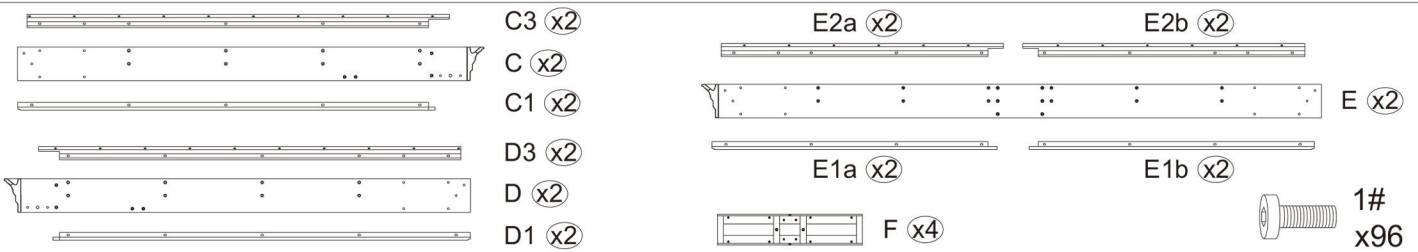


Step 2: Insert Part F to Part D and Part C, connect it with screws 1# as shown in diagram.

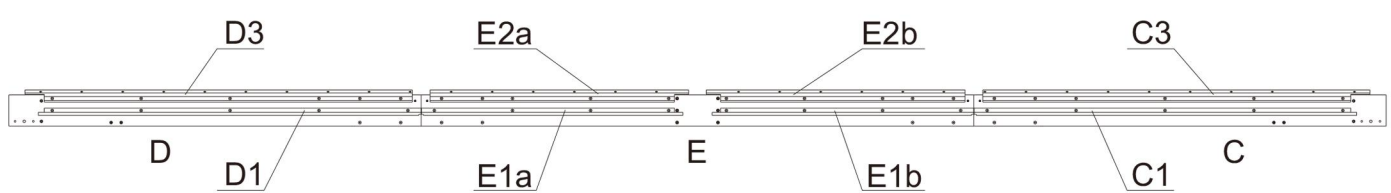
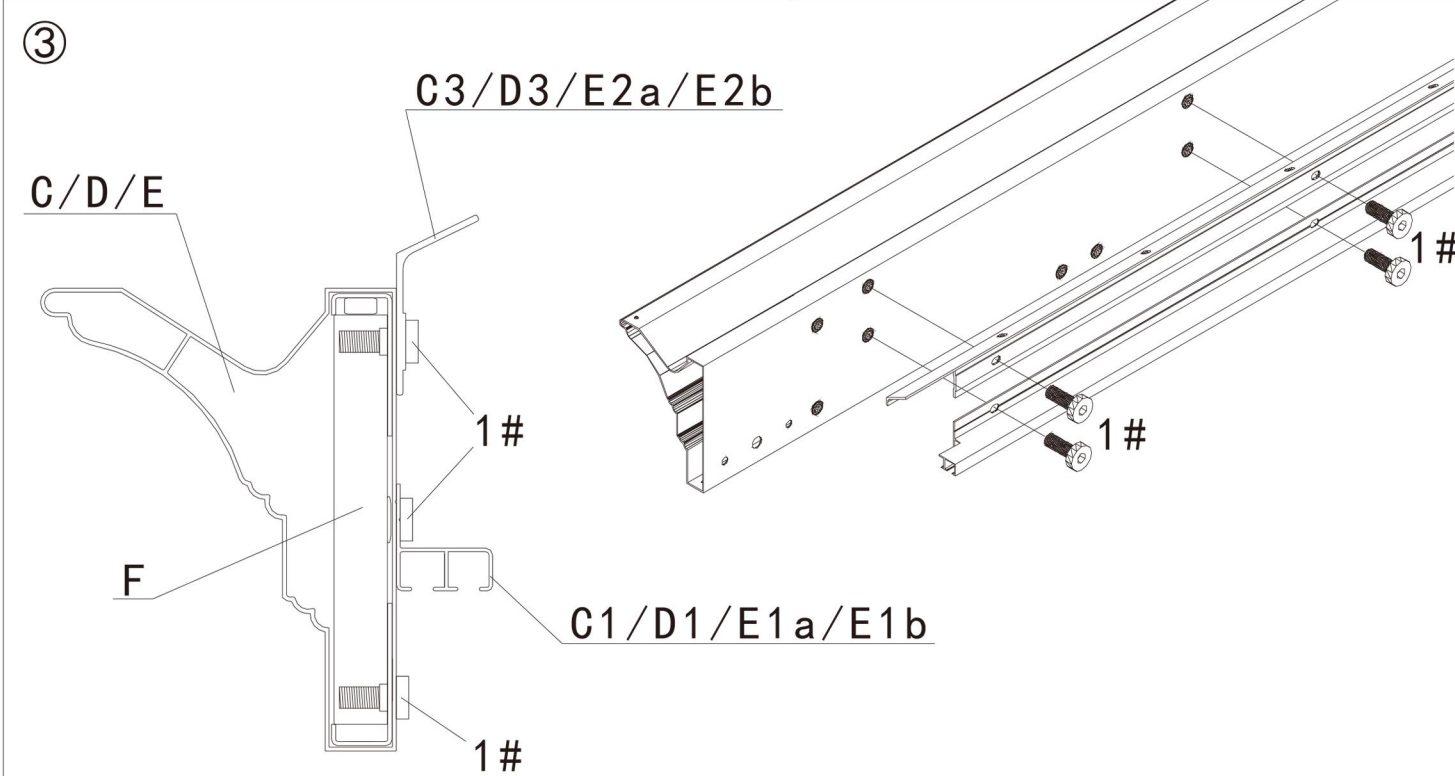
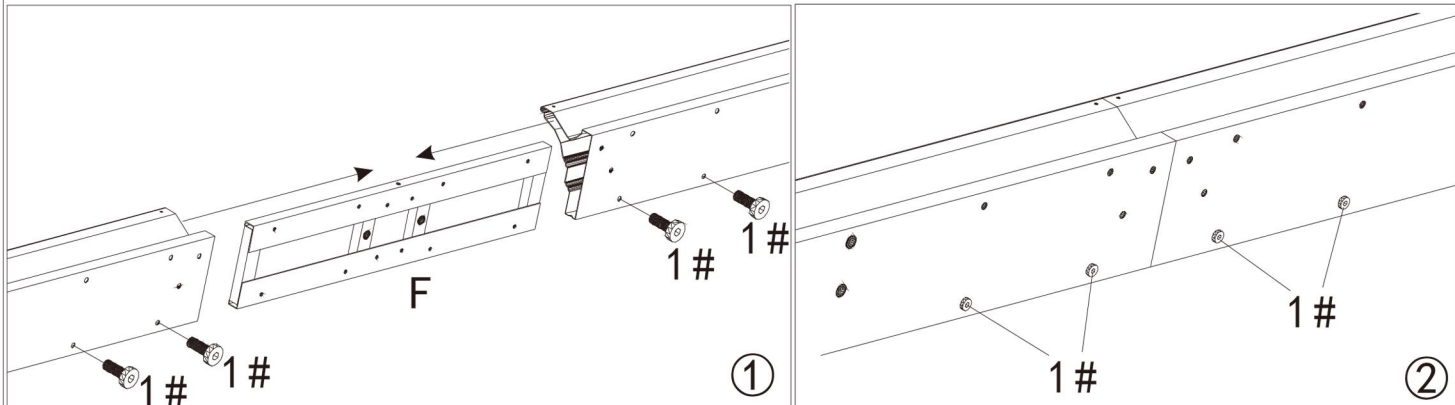


Connect Parts C2&D2 to Part C&D using screws 1#.
Attach Parts C1&D1 to Part C&D using screws 1#.

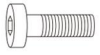




Step 3: Connect Part D,E&C into one beam using Part F with screws 1#.



Attach sidewall Track Parts (D1,C1,E1a&E1b) to finished beam(D,E&C) using screws 1#.
 Attach Jointer Bar Parts (D3,E2a,E2b&C3) to finished beam(D,E&C) using screws 1#.



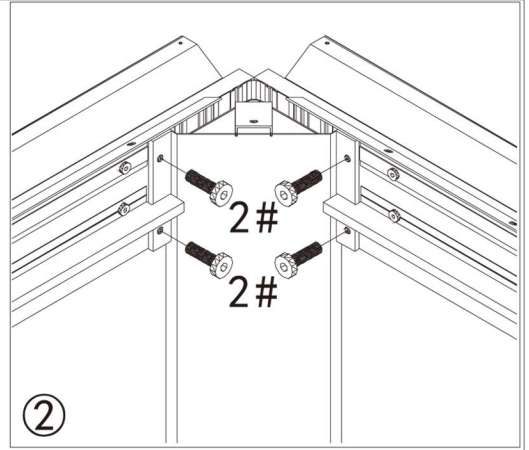
2#
x28



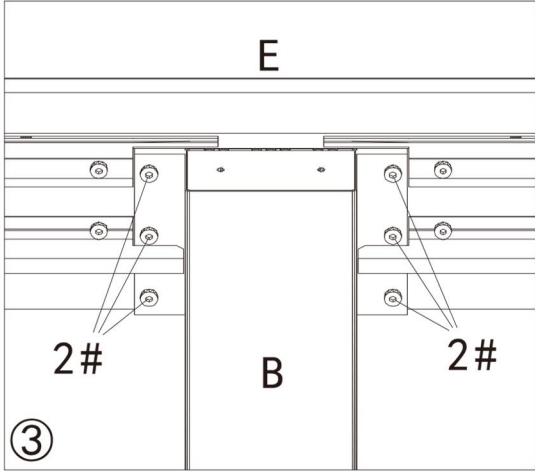
3#
x16

Step 4:

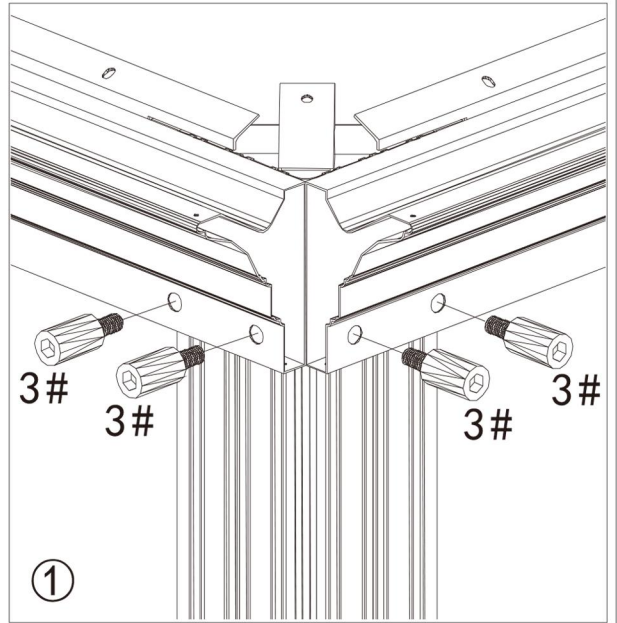
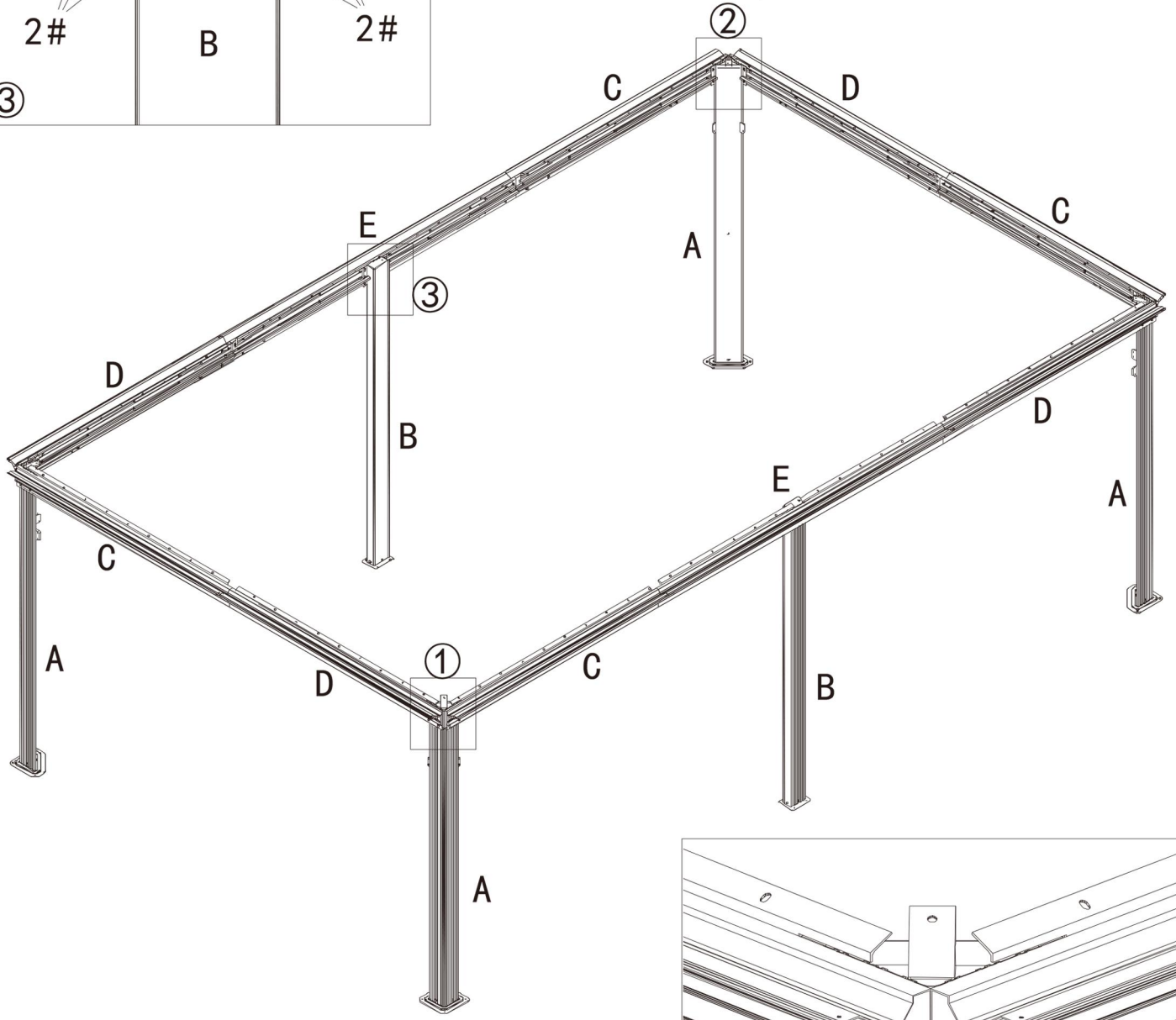
Connect poles&beams together using screws 2#&3#.



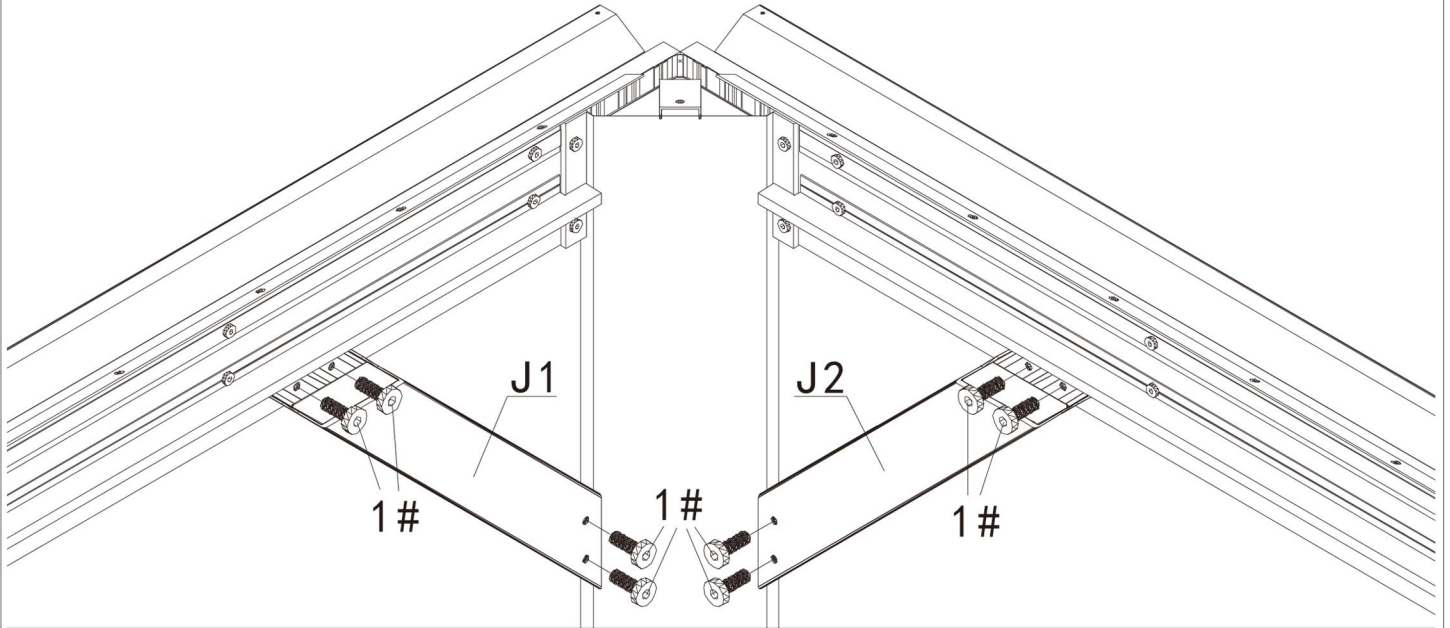
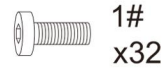
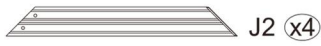
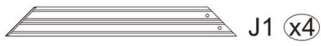
②



③

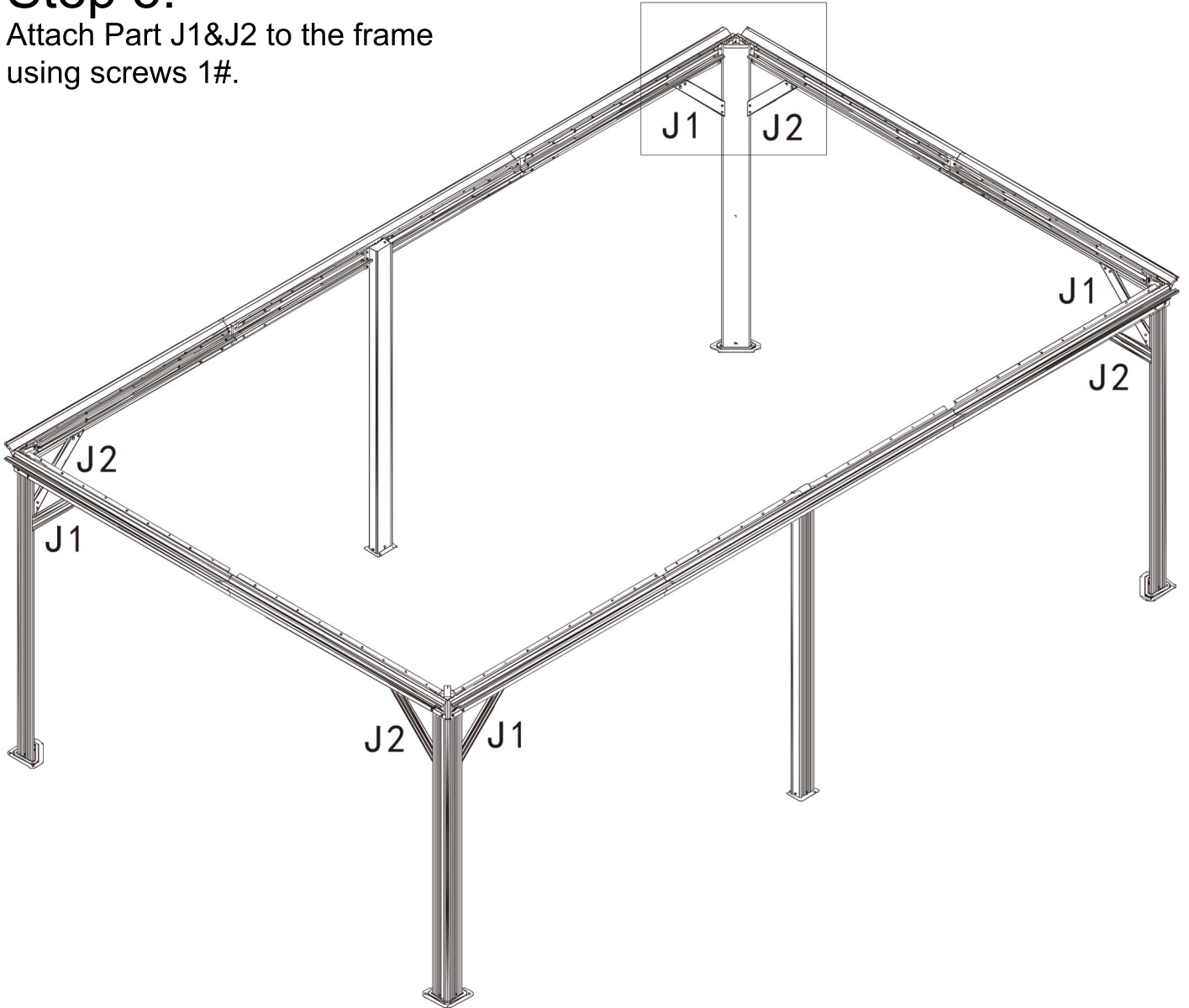
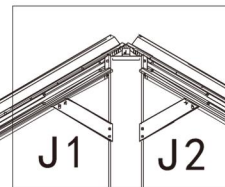


①



Step 5:

Attach Part J1&J2 to the frame using screws 1#.





G (x4)



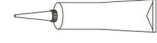
H (x6)



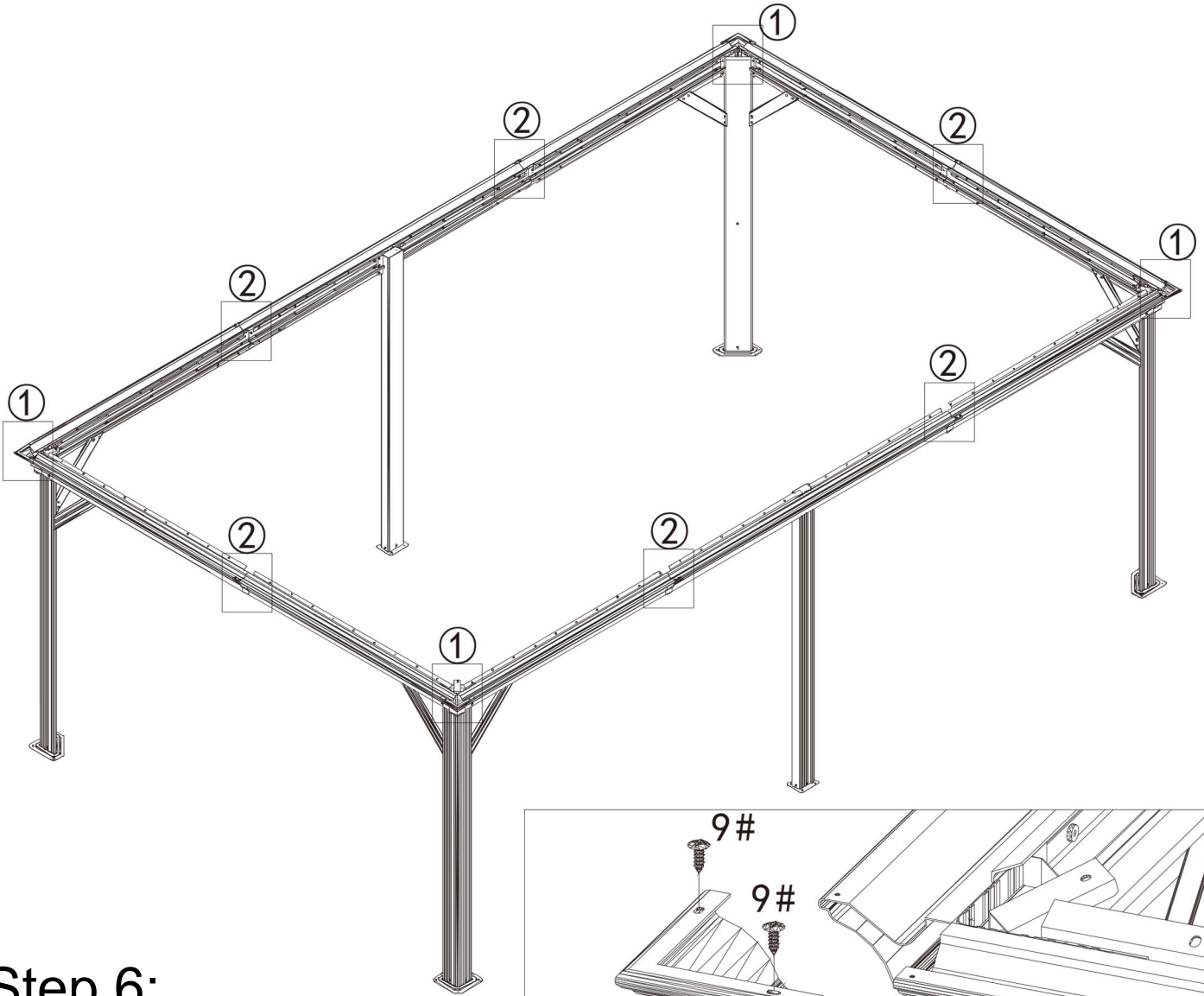
8#
x6



9#
x28

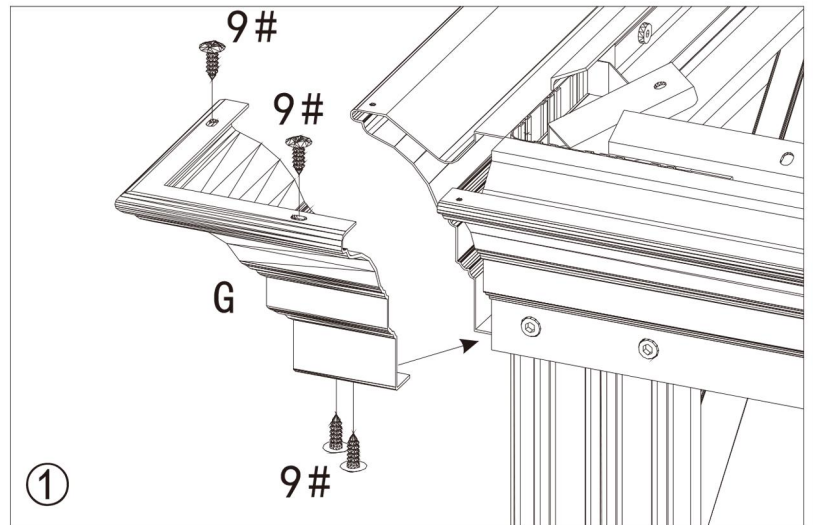


H2 (x1)

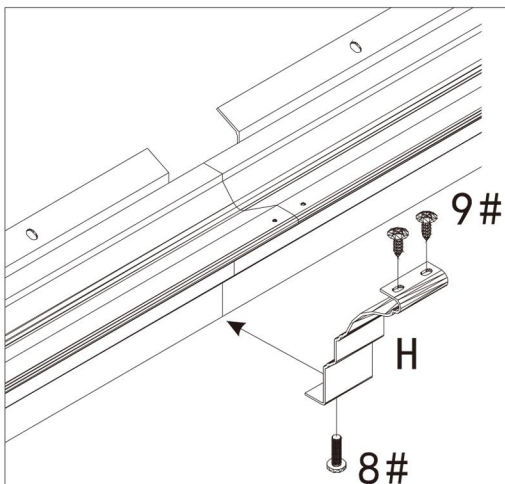


Step 6:

Cover four corners with Part G using screws 9#.

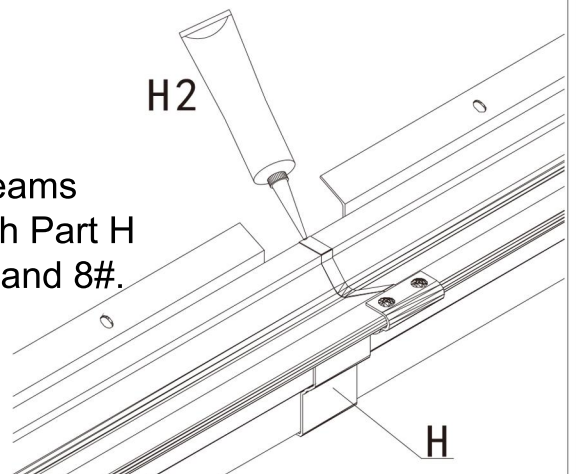


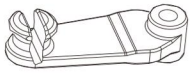
①



②

Fix the middle beams marked as ② with Part H using screws 9# and 8#.



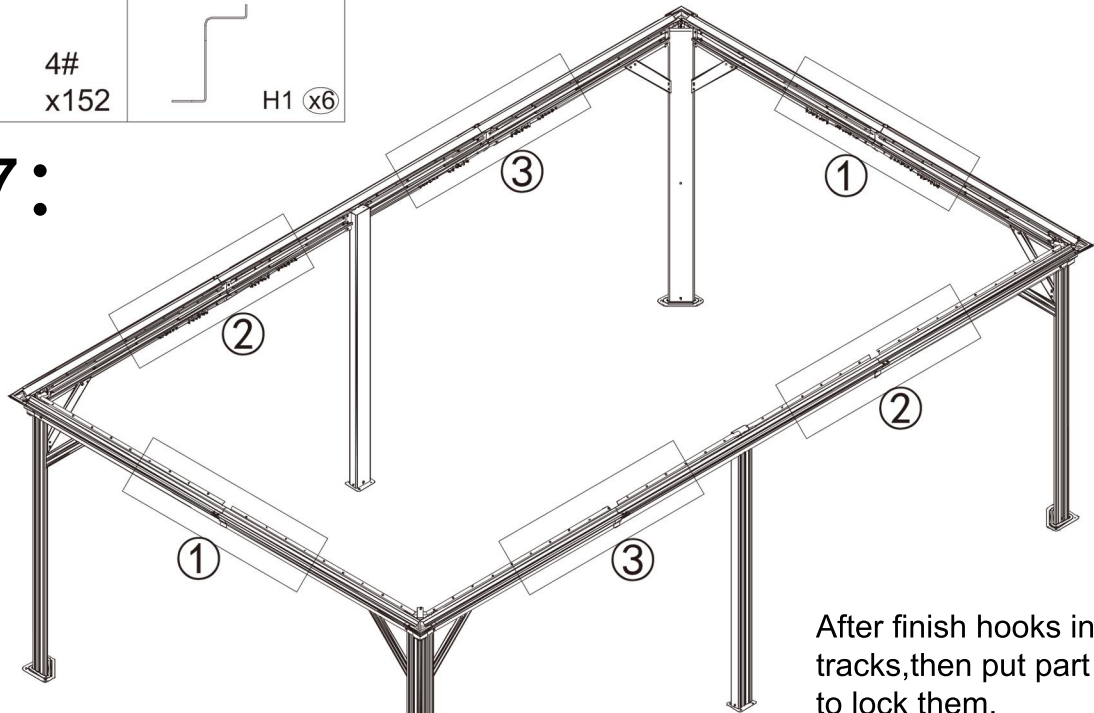


4#
x152

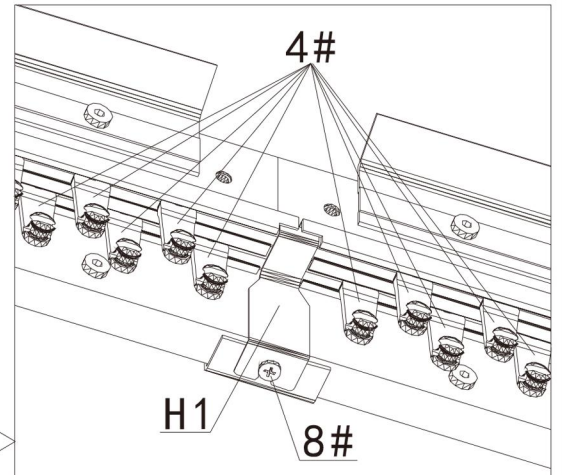
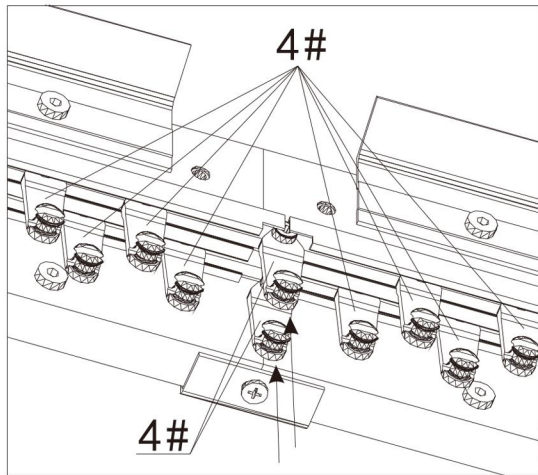


H1 x6

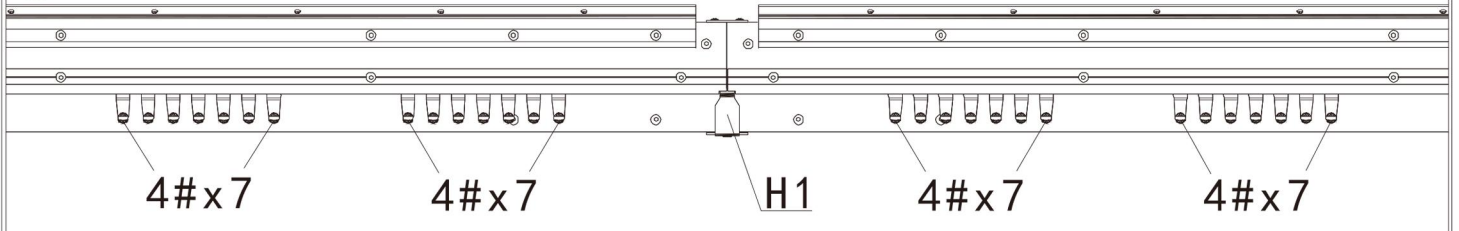
Step 7:



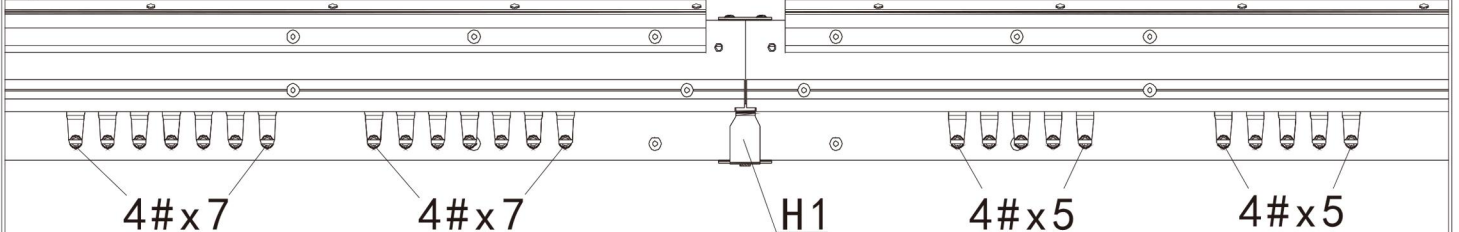
After finish hooks into tracks, then put part H1 to lock them.



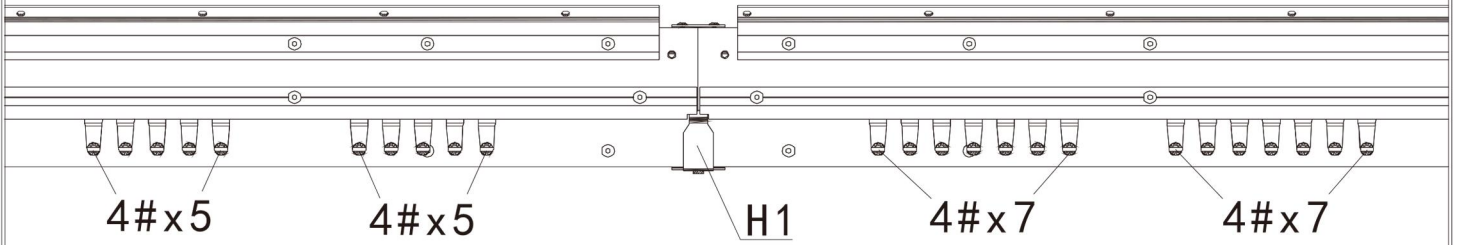
① Put 7 hooks to each sidewall track (Part C1&D1).

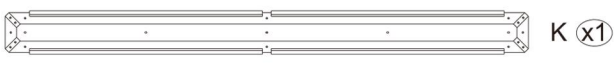


② Put 7 hooks to each sidewall track Part C1 and 5 hooks to sidewall track Part E1b.

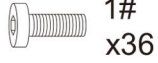


③ Put 7 hooks to each sidewall track Part D1 and 5 hooks to sidewall track Part E1a.





K (x1)



1#
x36



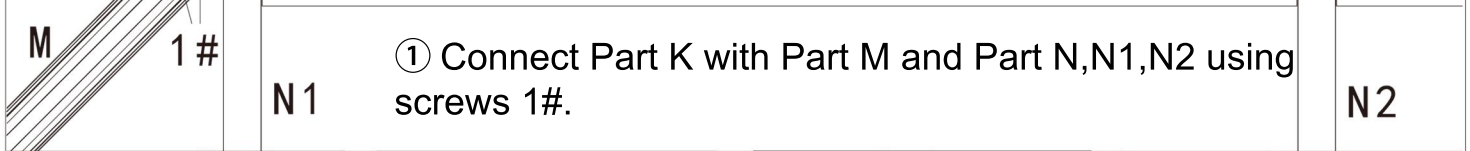
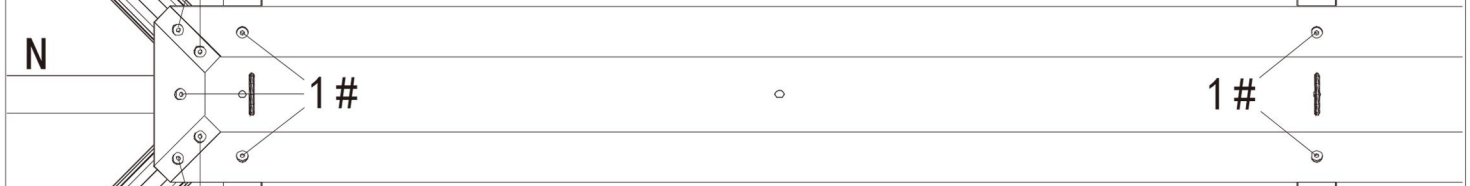
N (x2)

N1 (x4)

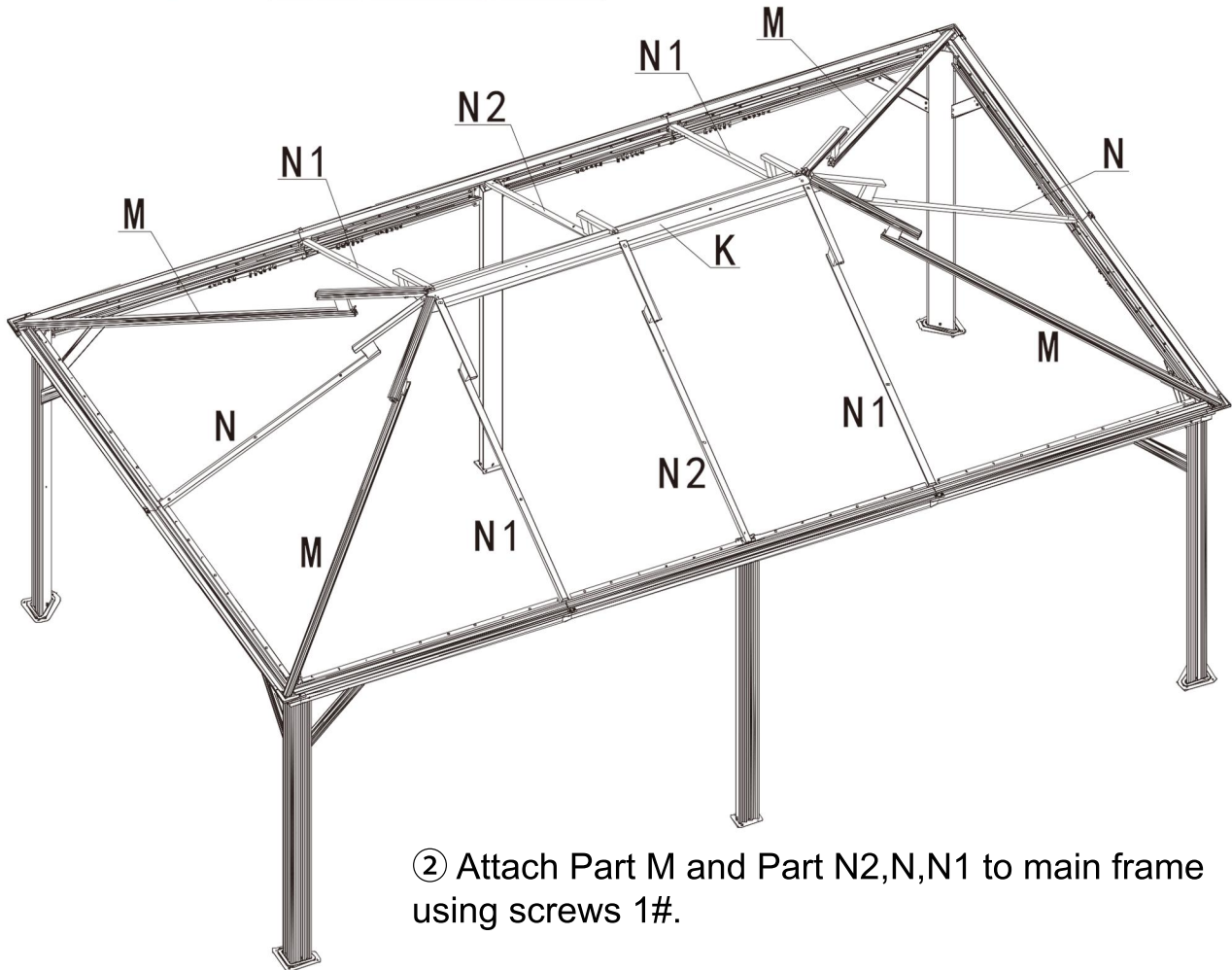
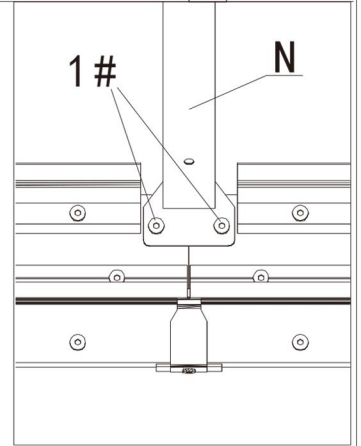
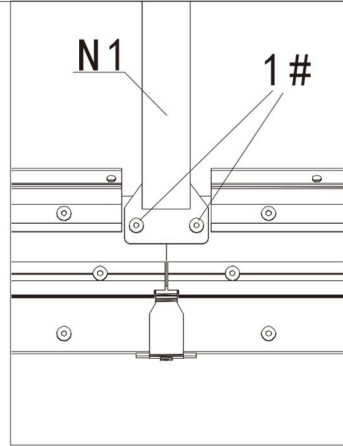
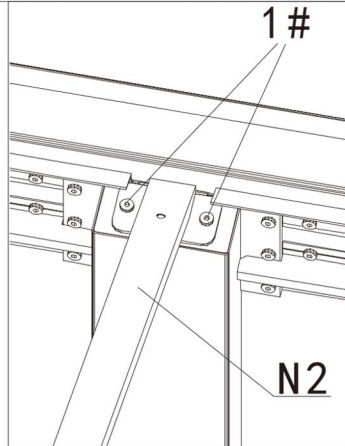
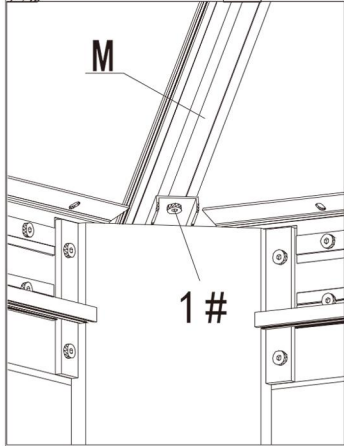
N2 (x2)



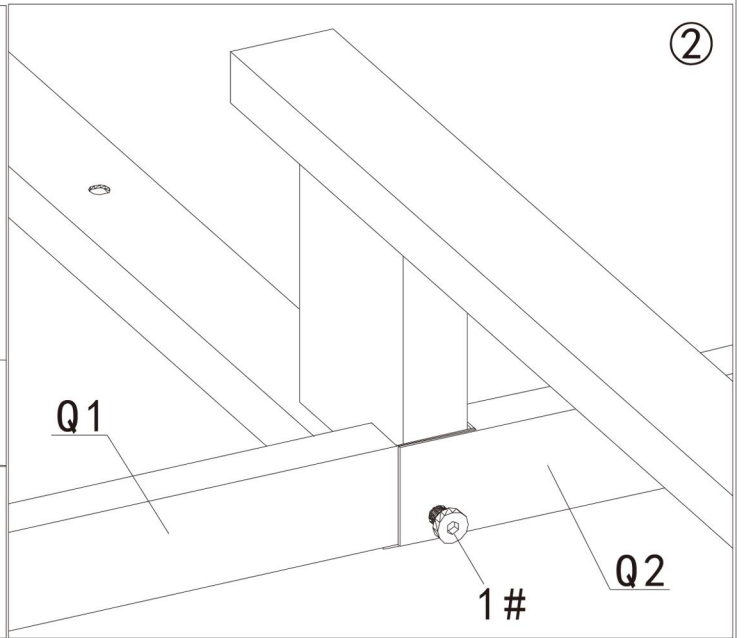
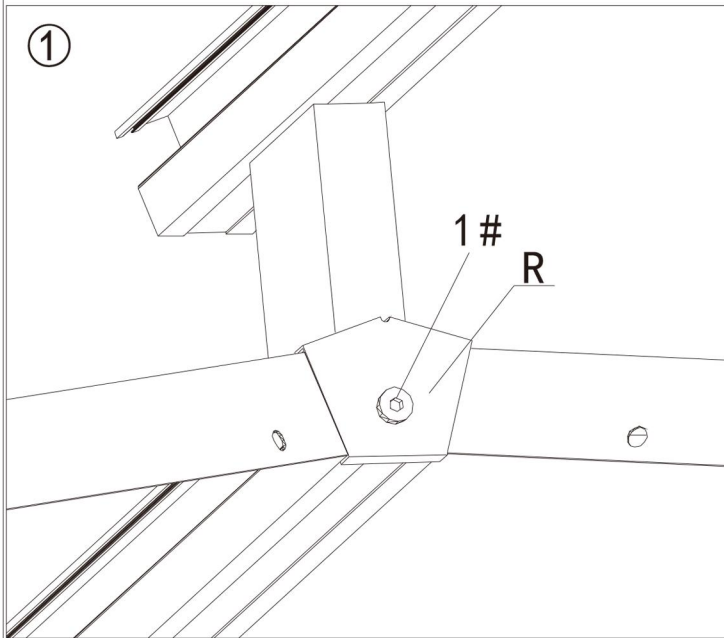
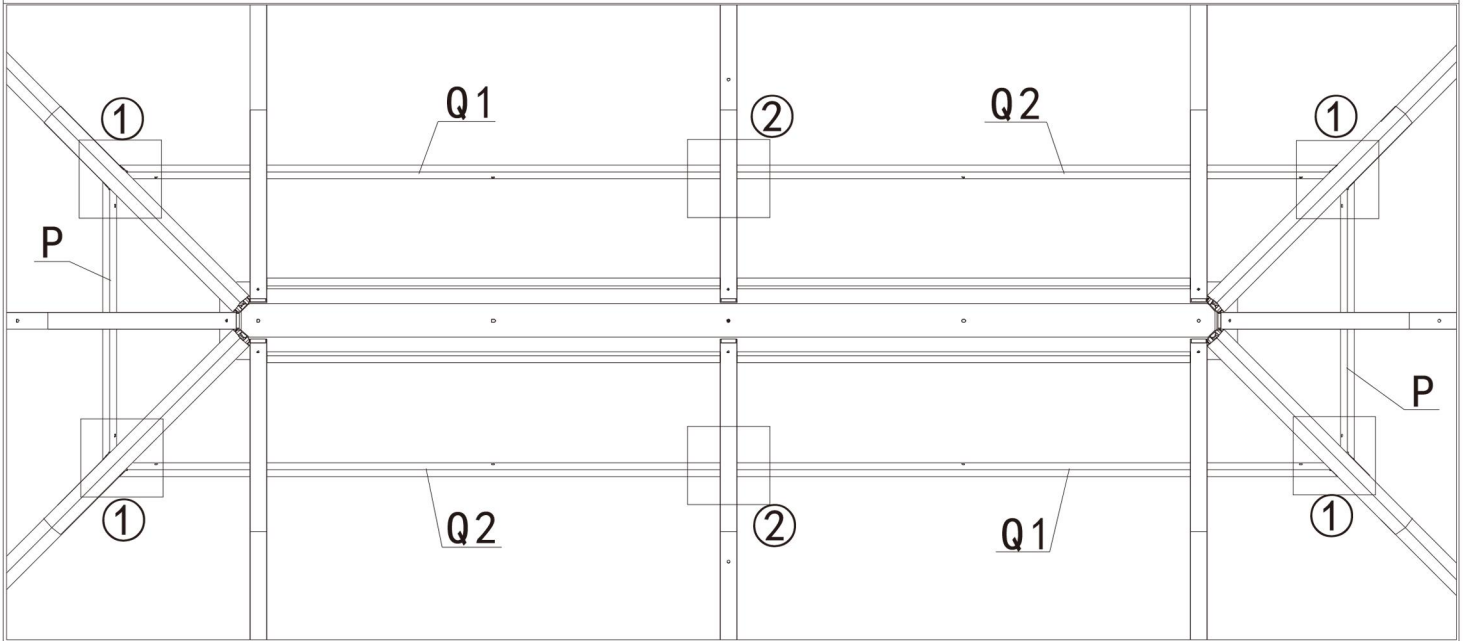
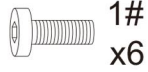
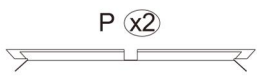
Step 8: Set up roof frame K



① Connect Part K with Part M and Part N,N1,N2 using screws 1#.

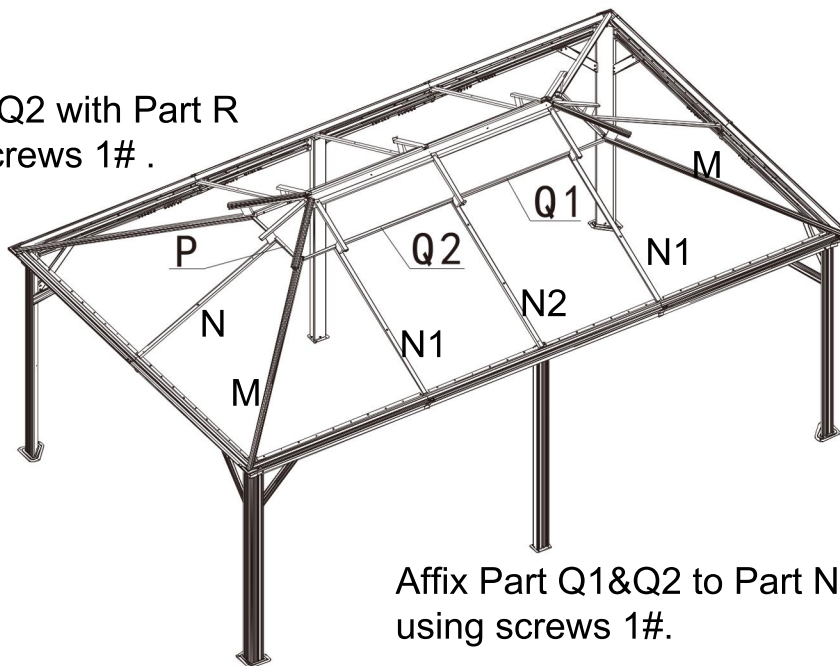


② Attach Part M and Part N2,N,N1 to main frame using screws 1#.

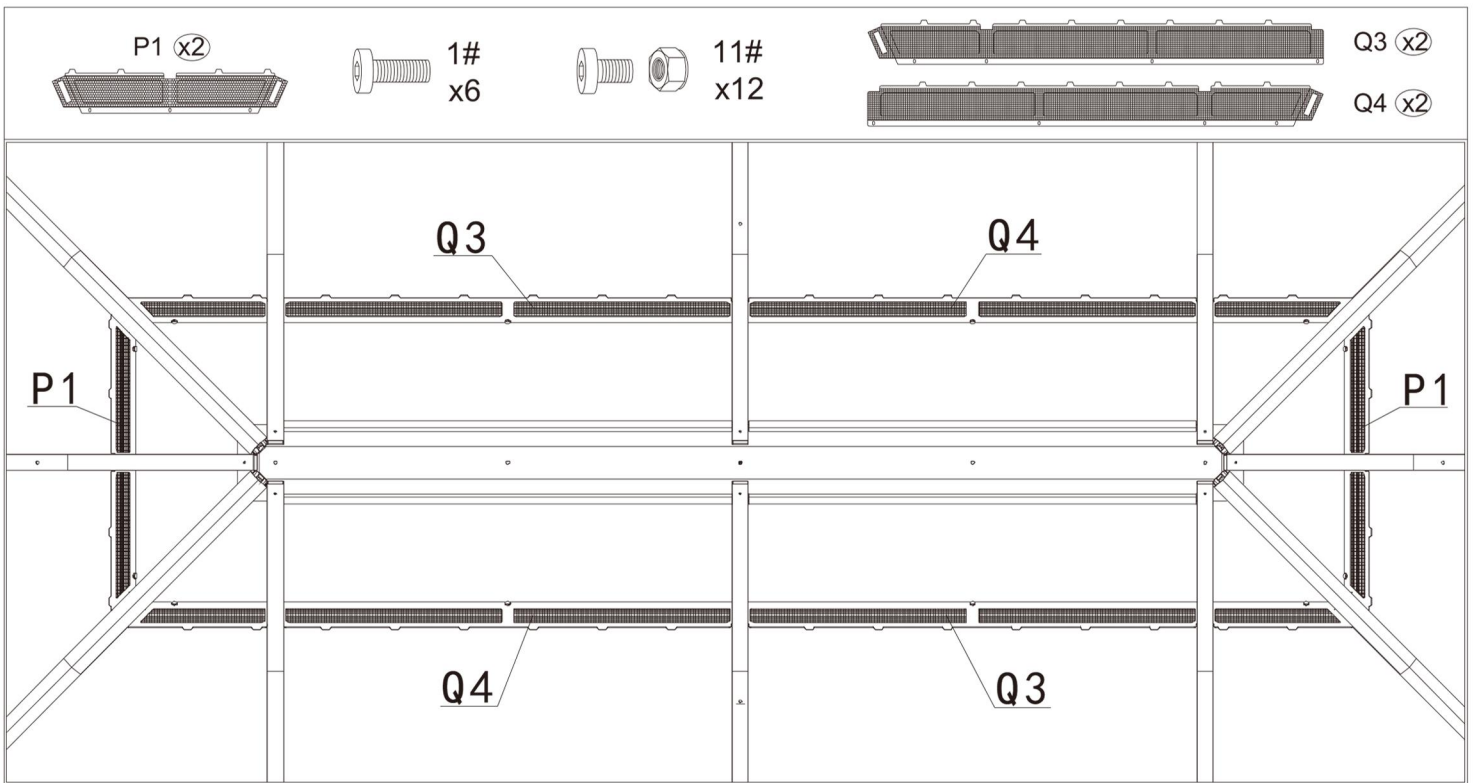


Step 9:

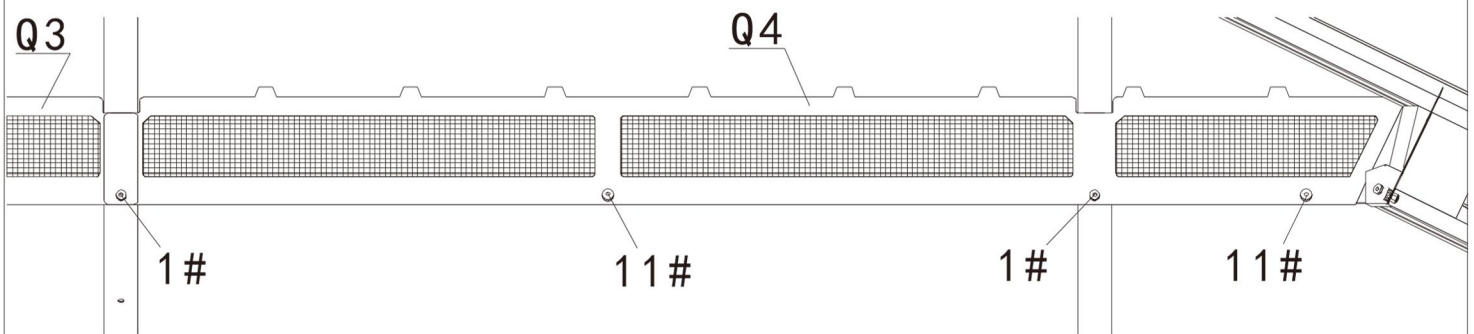
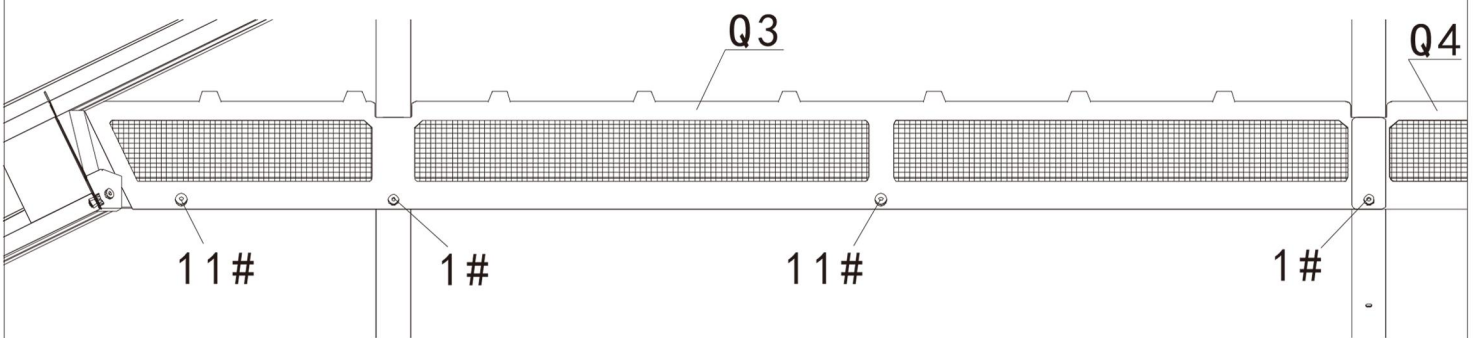
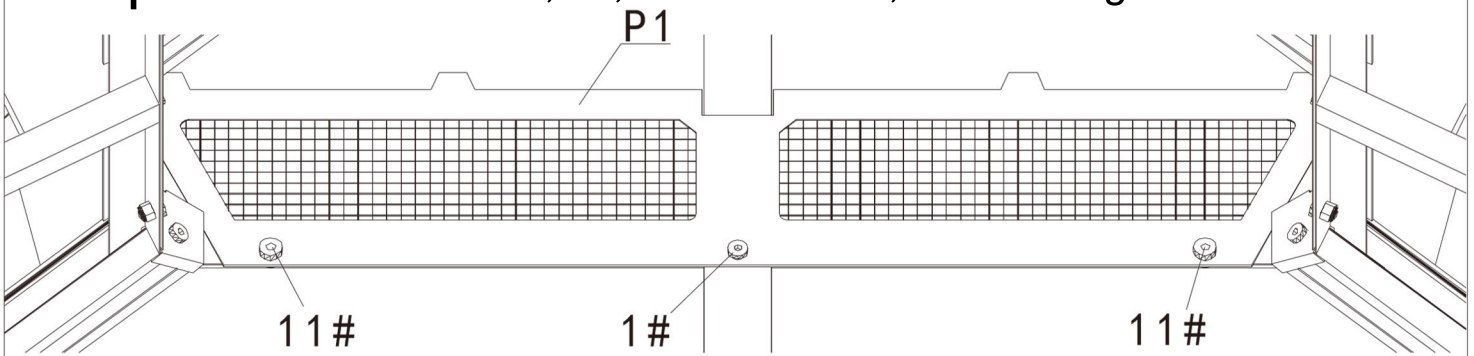
Attach Part P,Q1,Q2 with Part R to Part M using screws 1# .

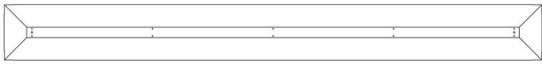


Affix Part Q1&Q2 to Part N,N1,N2 using screws 1#.



Step 10: Attach Part P1, Q3, Q4 to Part Q1, Q2 & P using screws 11# & 1#.





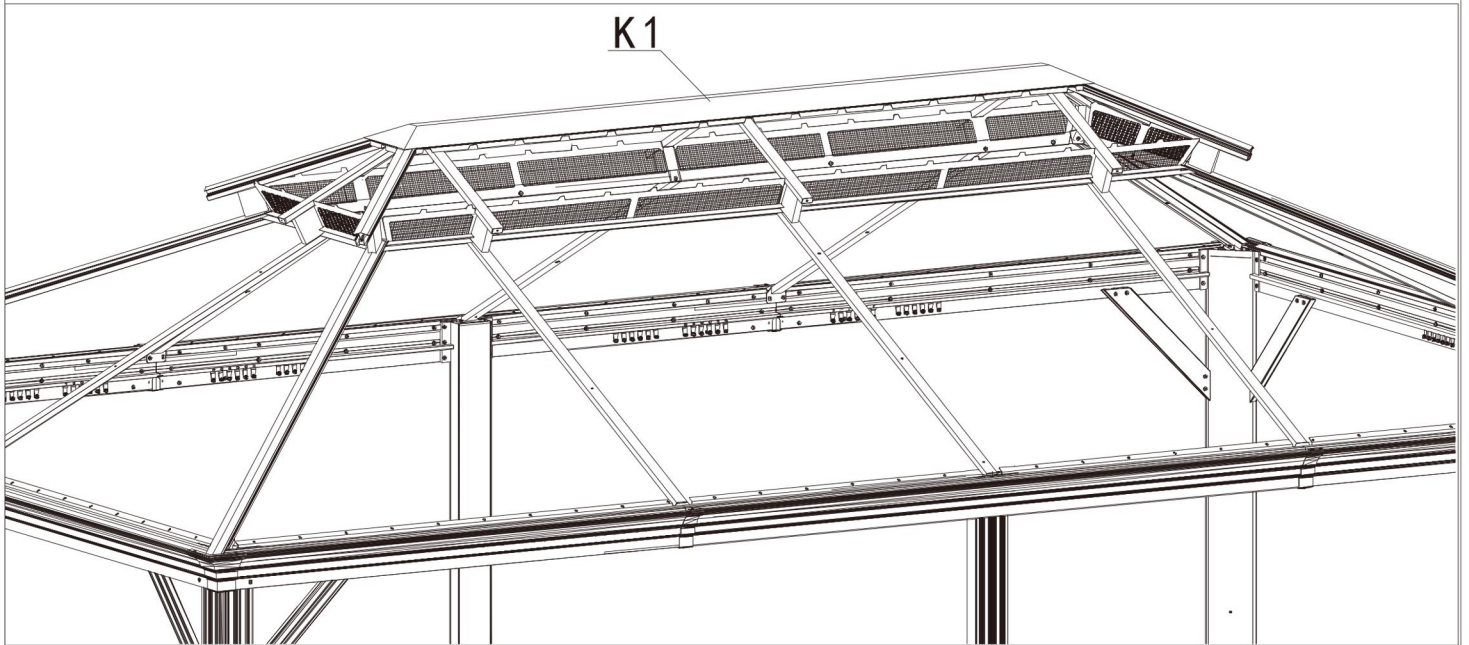
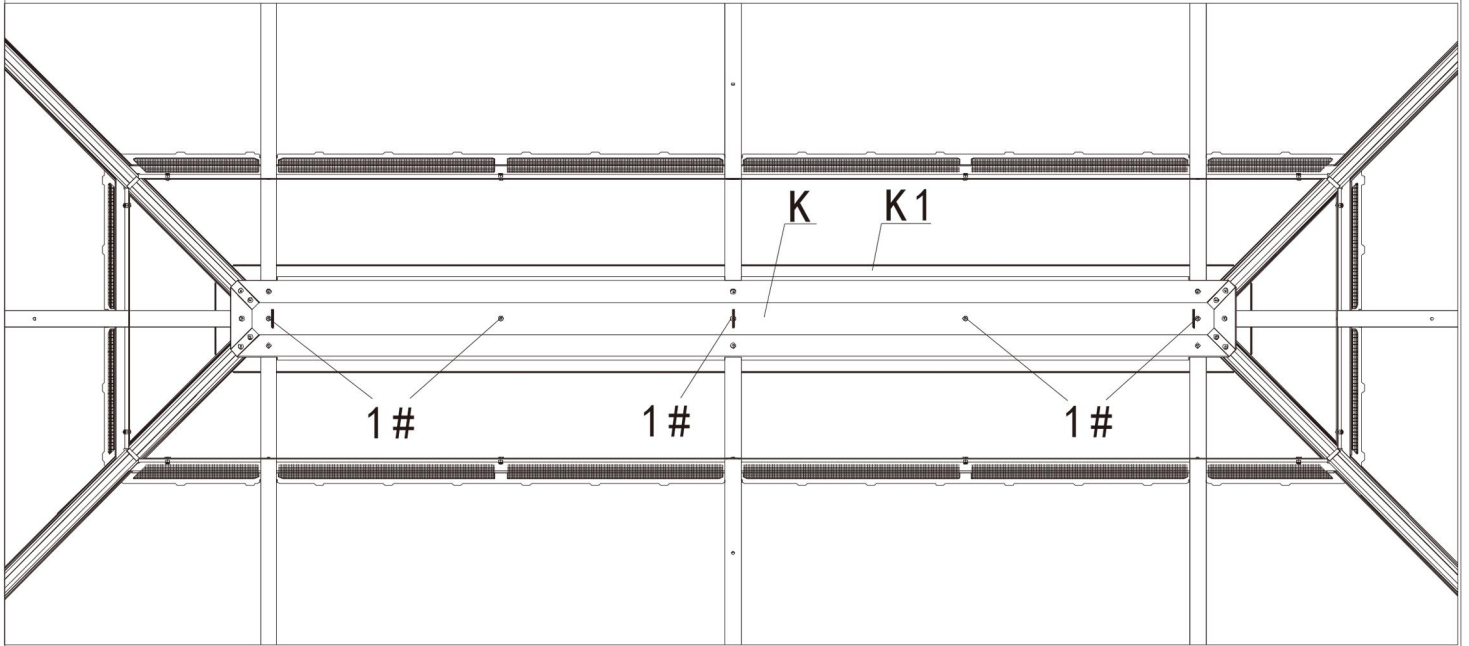
K1 (x1)

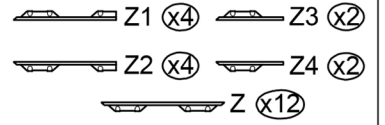
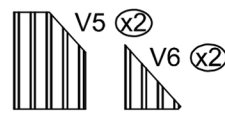
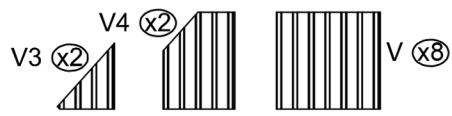
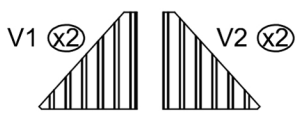


1#
x5

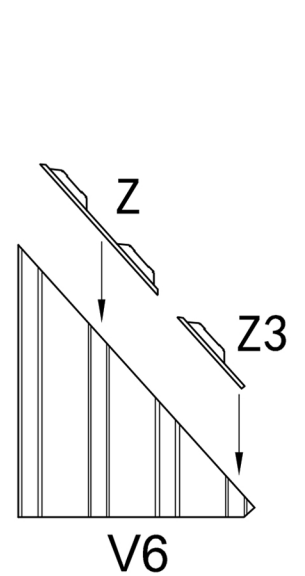
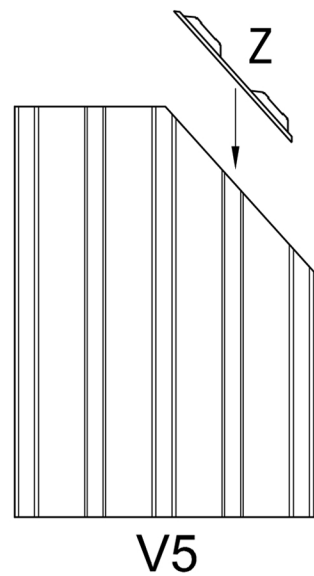
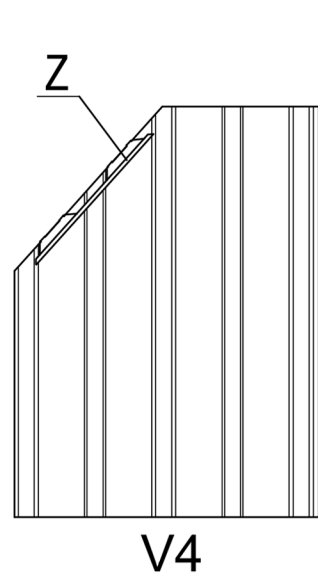
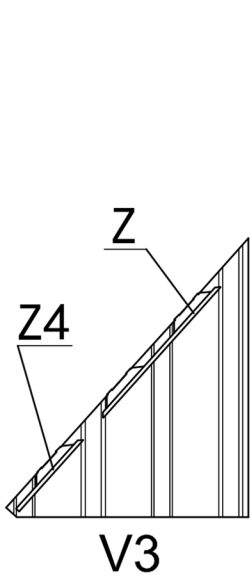
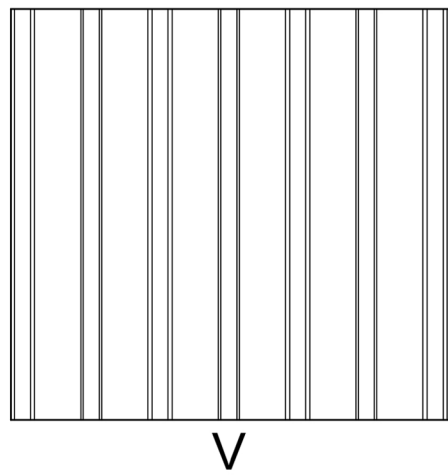
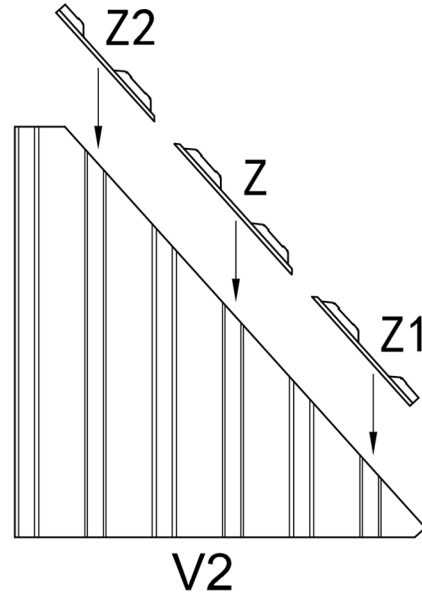
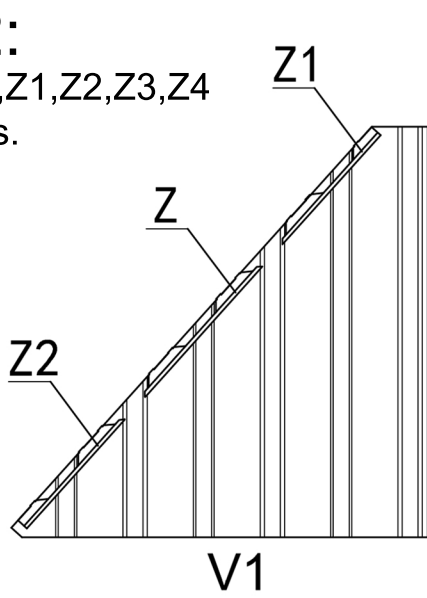
Step 11:

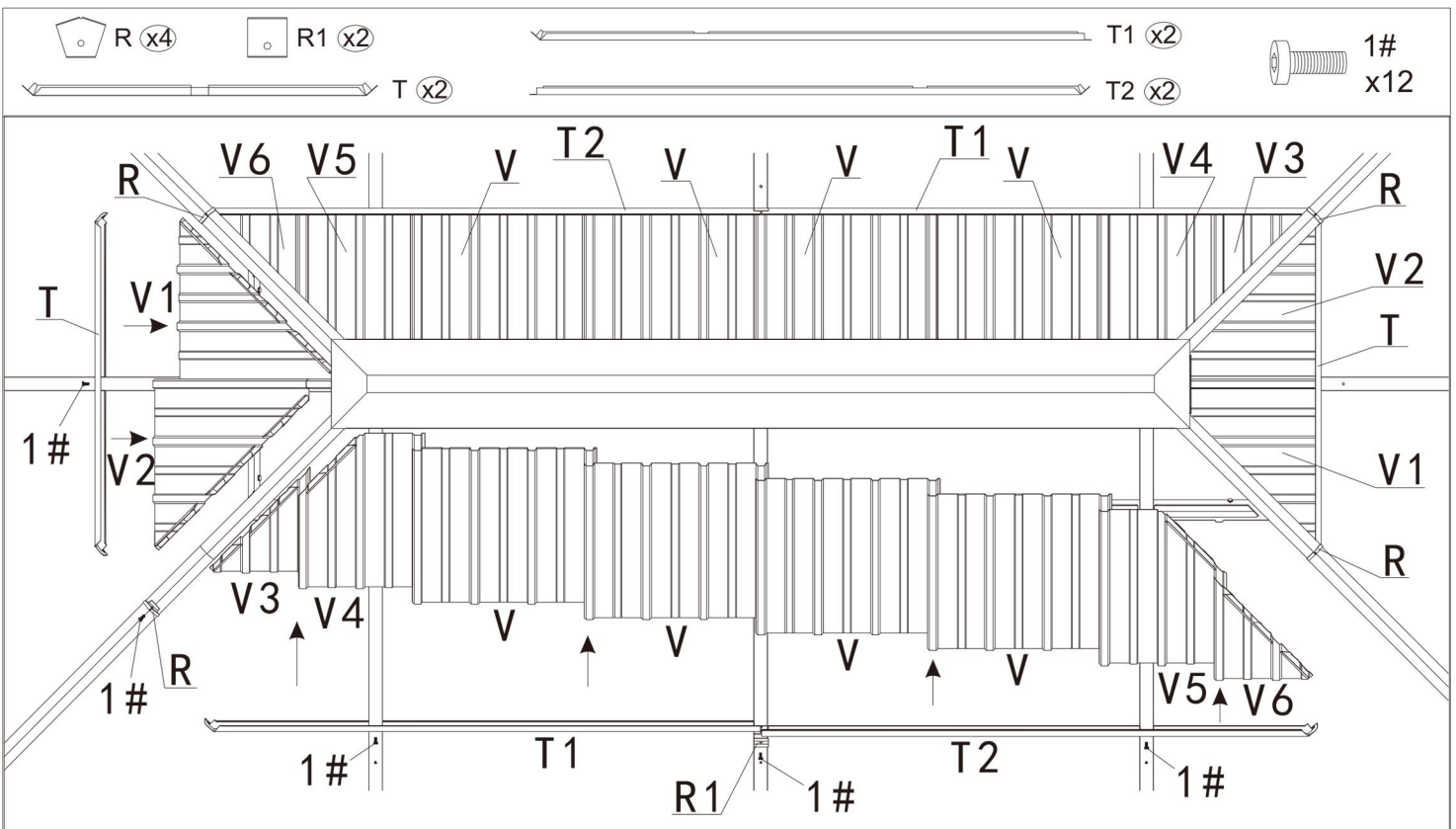
Connect Part K1 to Part K using screws 1#.



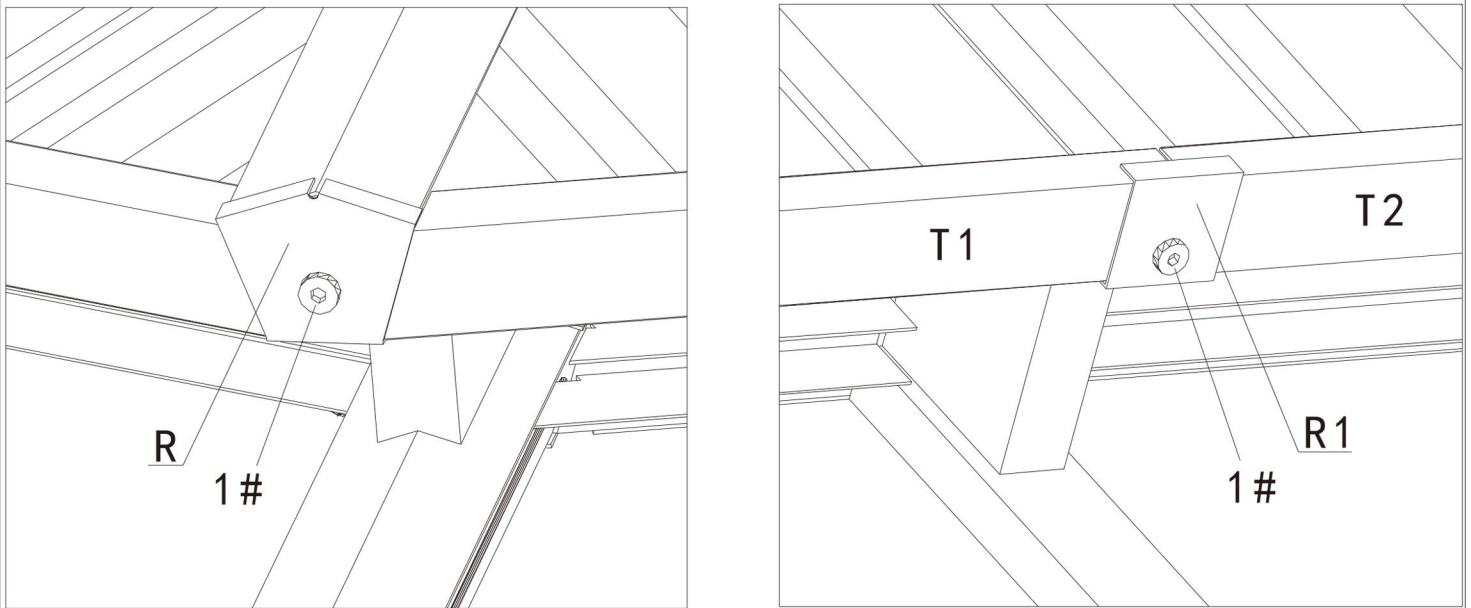


Step 12:
Cover Part Z,Z1,Z2,Z3,Z4
to roof panels.

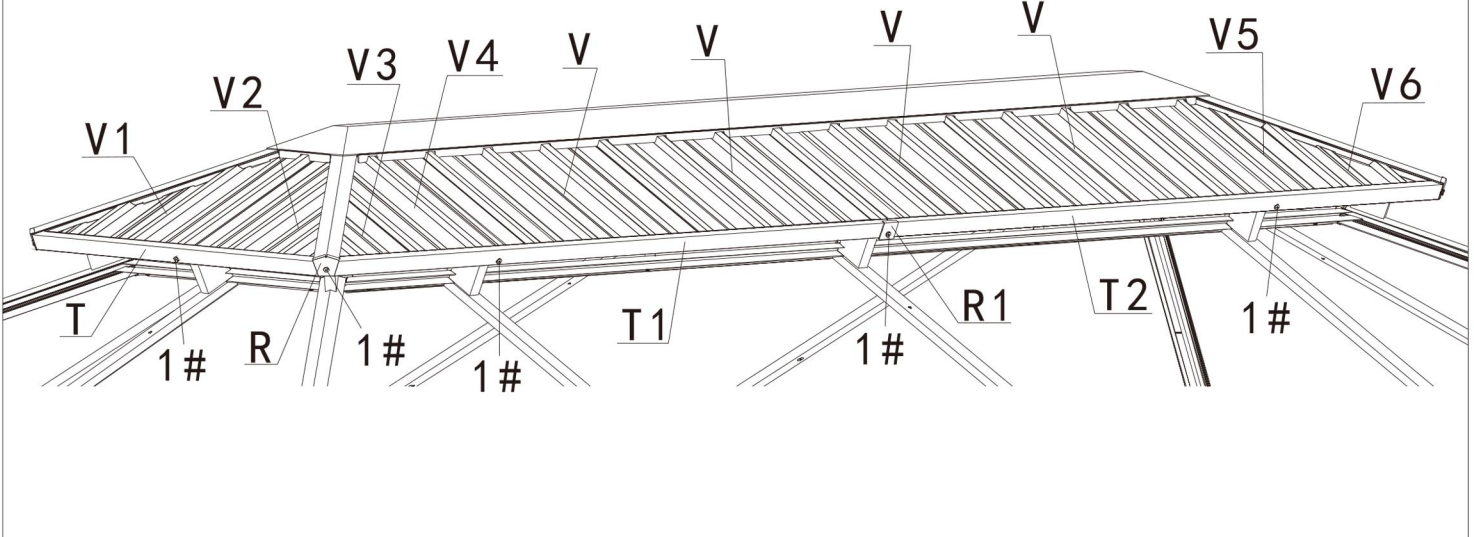


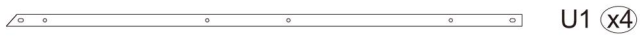


Step 13: Push Part (V,V1,V2,V3,V4) to upper roof.



Attach Part (T,T1,T2) to upper roof with Part R&R1 using screws 1#.





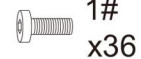
U1 (x4)



U3 (x4)



U4 (x8)



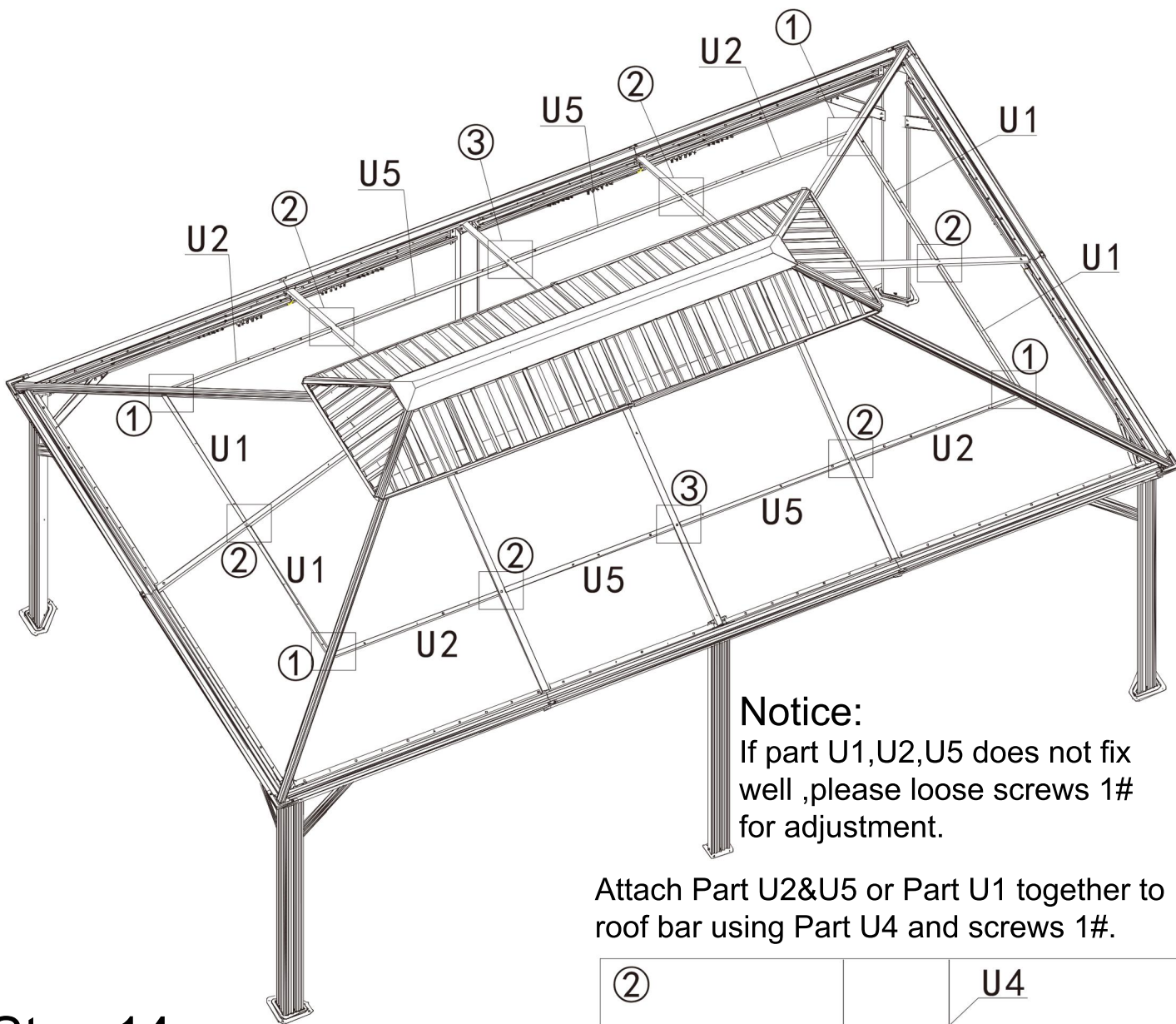
1#
x36



U2 (x4)



U5 (x4)



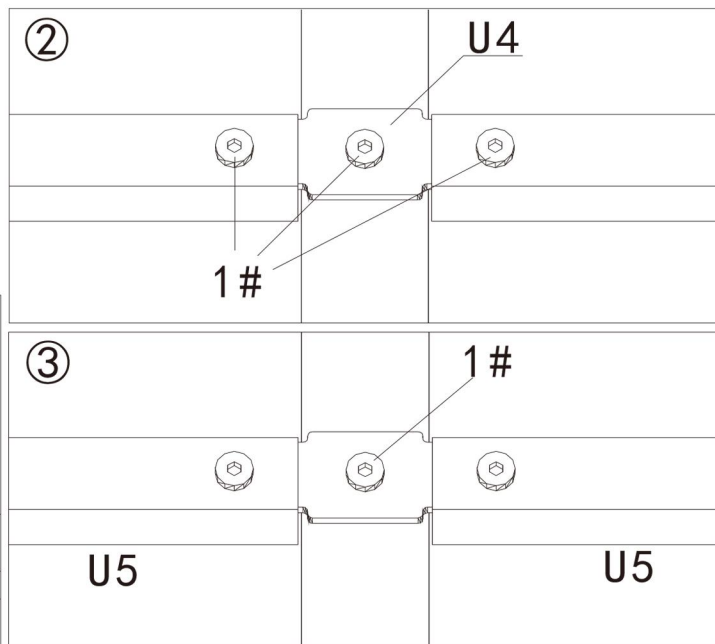
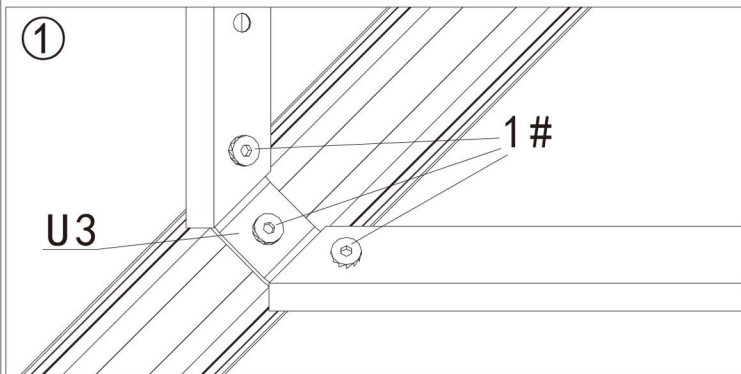
Notice:

If part U1,U2,U5 does not fix well ,please loose screws 1# for adjustment.

Attach Part U2&U5 or Part U1 together to roof bar using Part U4 and screws 1#.

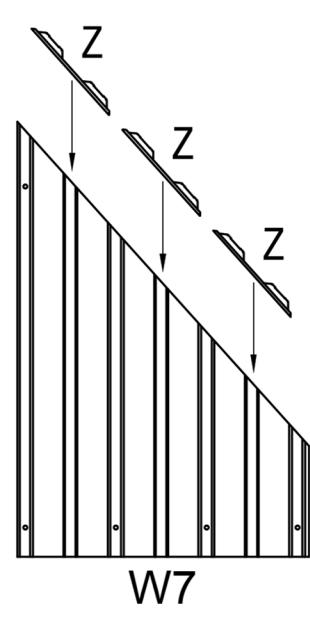
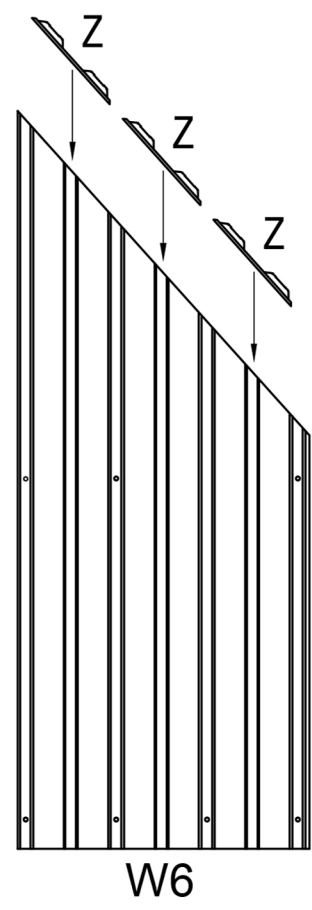
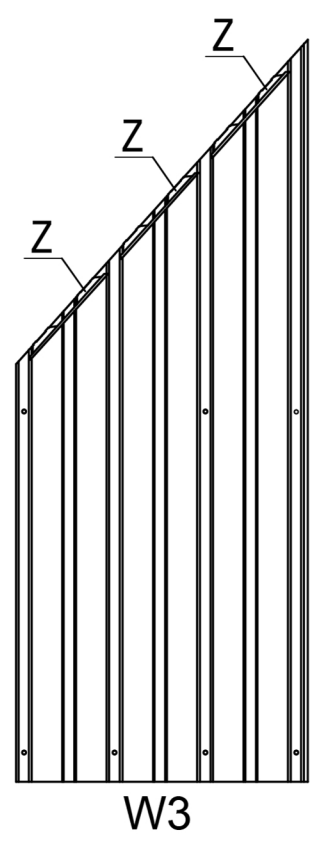
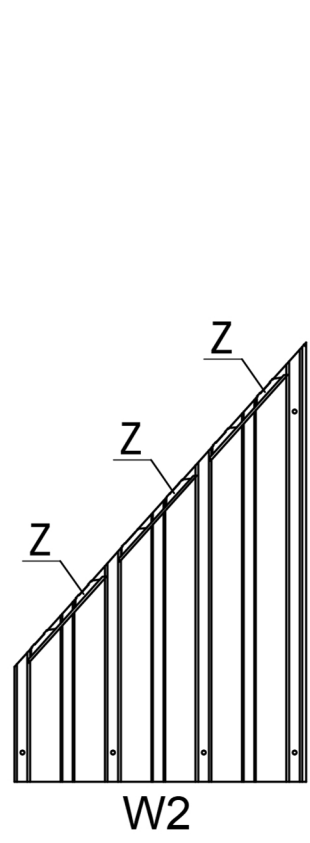
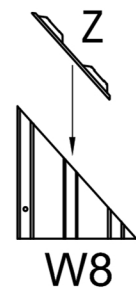
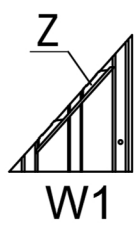
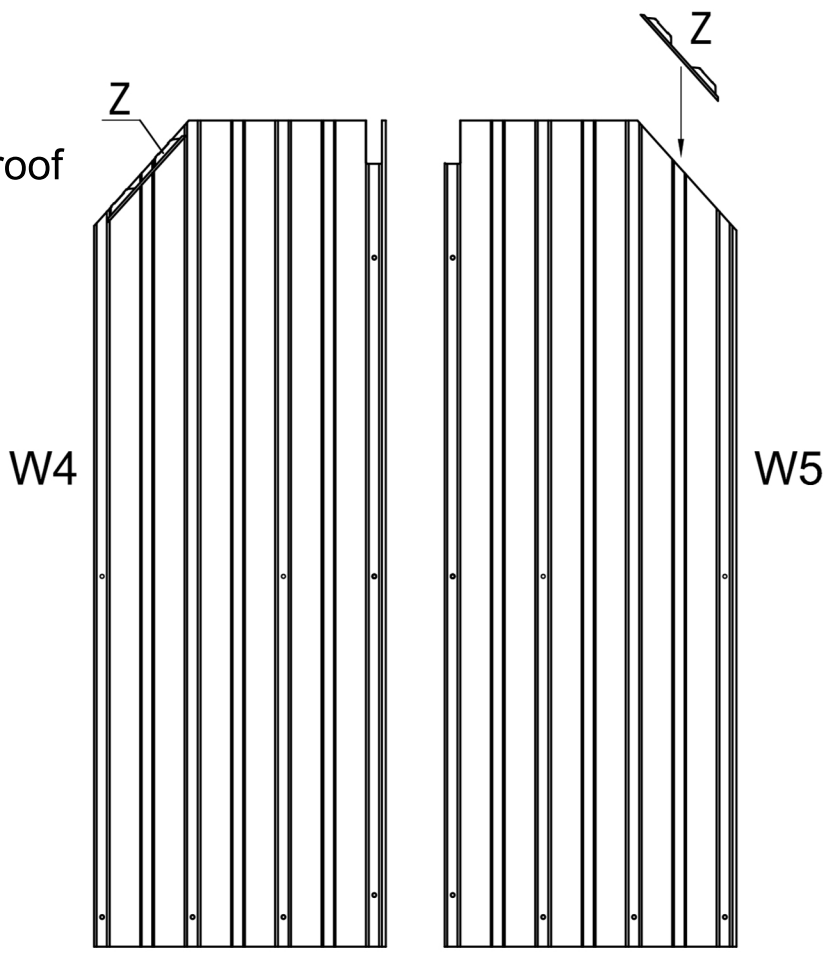
Step 14:

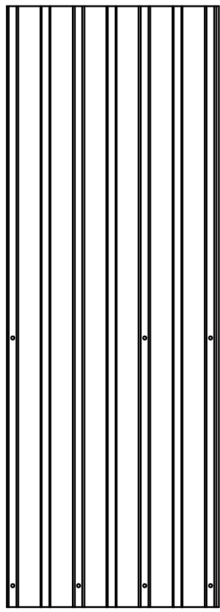
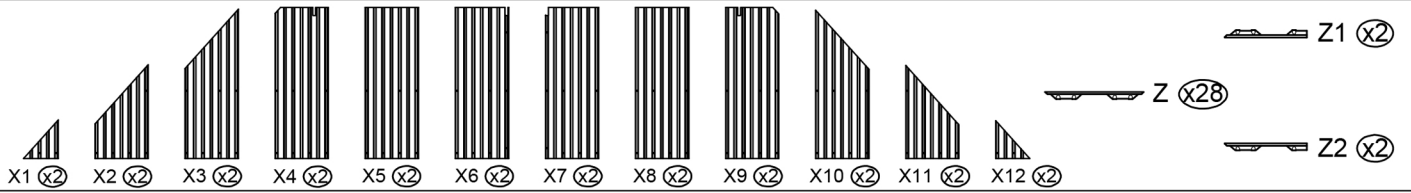
Affix Part U1,U2&U5 to corner bar using Part U3 and screws 1#.



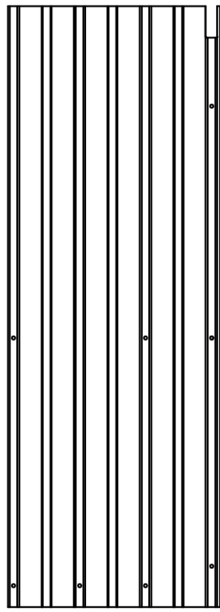


Step 15:
Cover Part Z to roof panel.

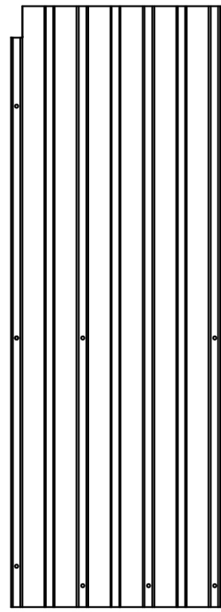




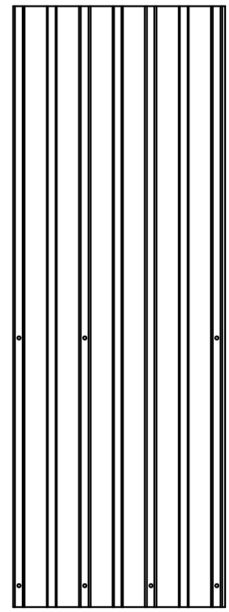
X5



X6

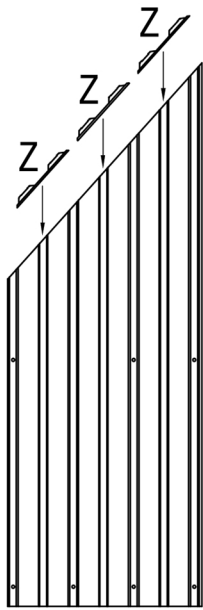


X7

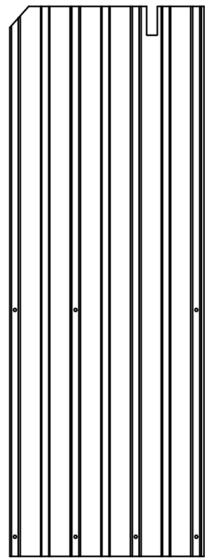


X8

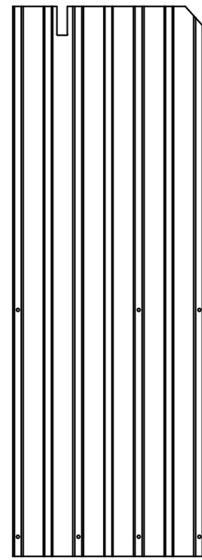
Step 16: Cover Part Z, Z2, Z1 to roof panels.



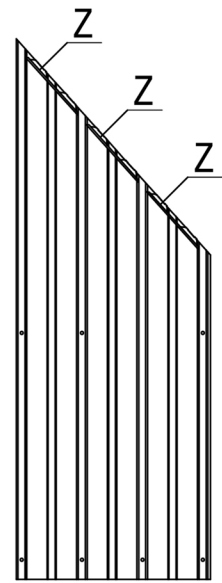
X3



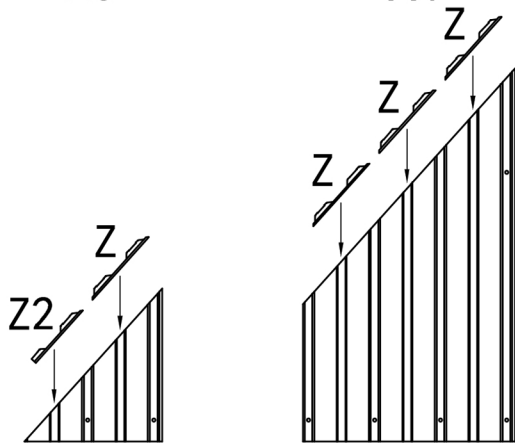
X4



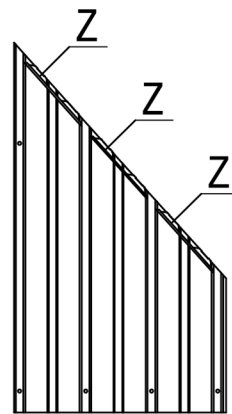
X9



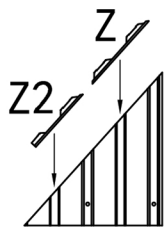
X10



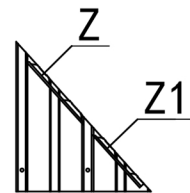
X2



X11



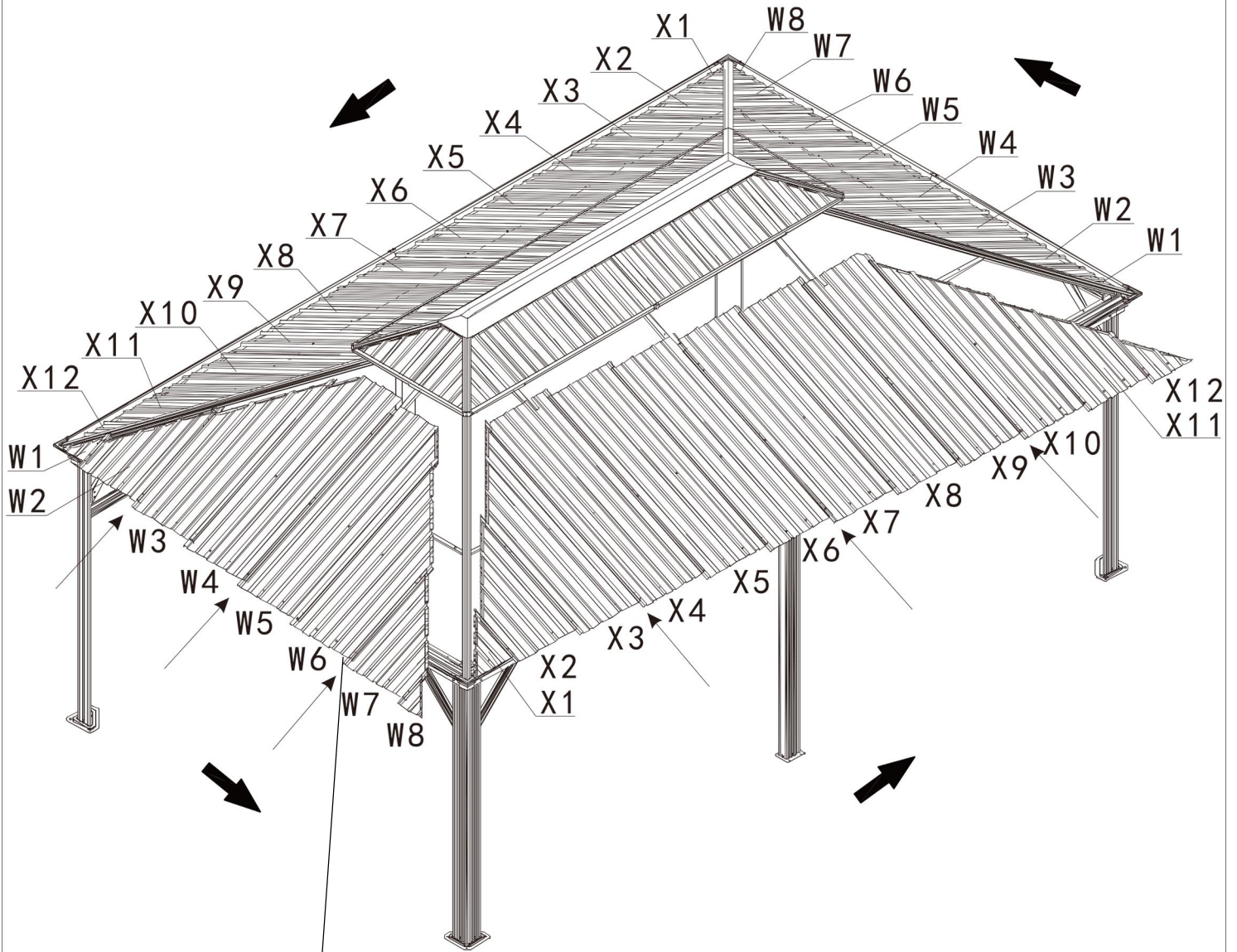
X1



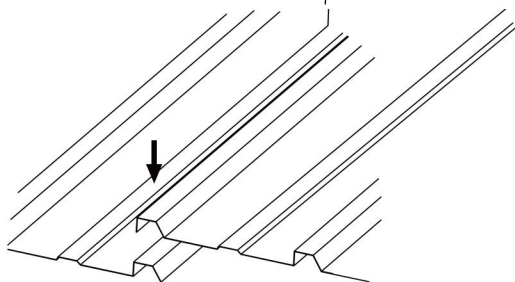
X12

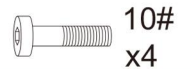
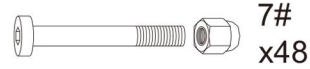
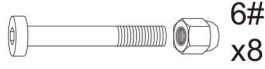
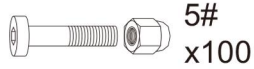
Overall roof assembly:

Please put the panels on the frame anti-clockwisely.



Connect roof as below:





①

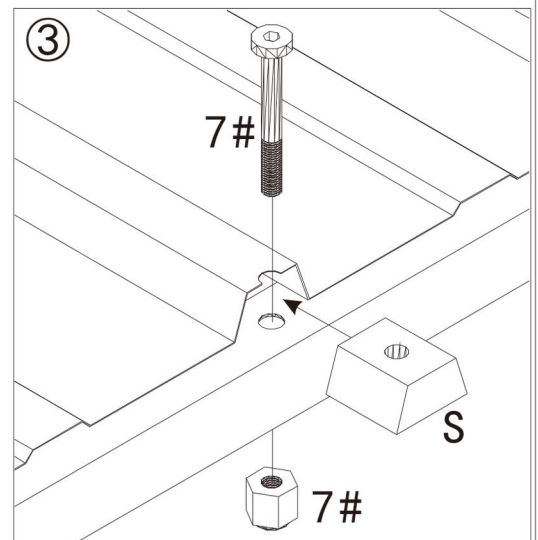
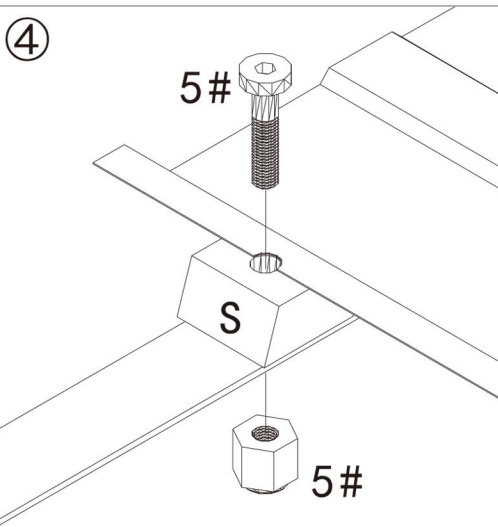
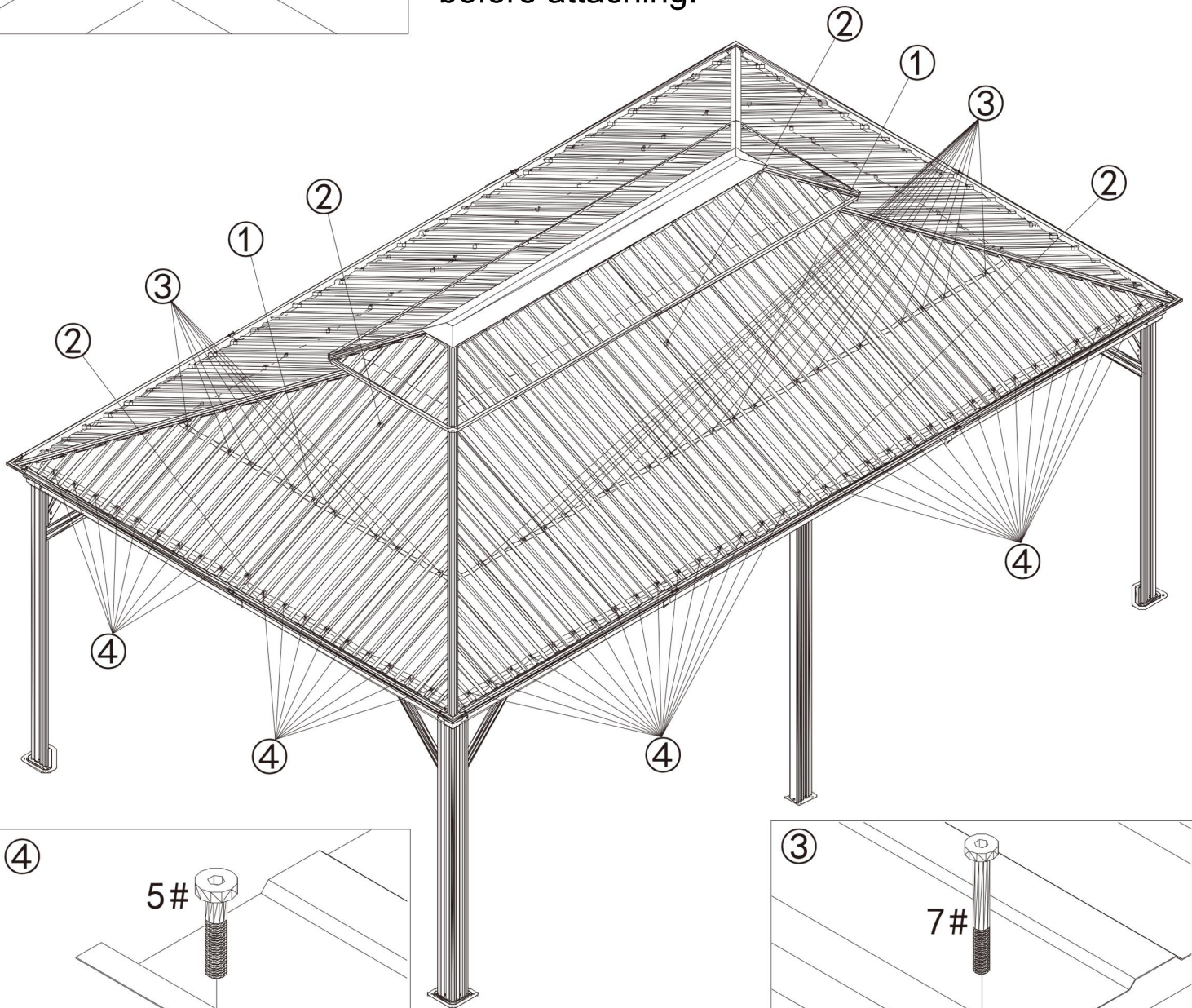
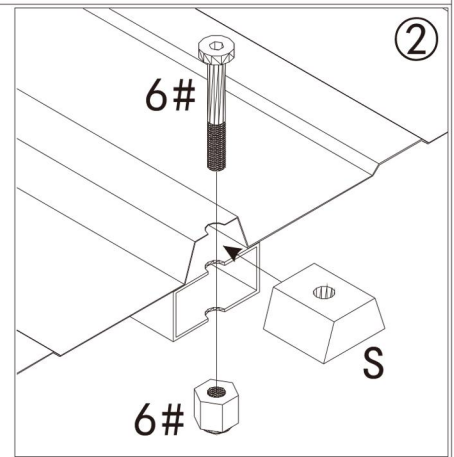
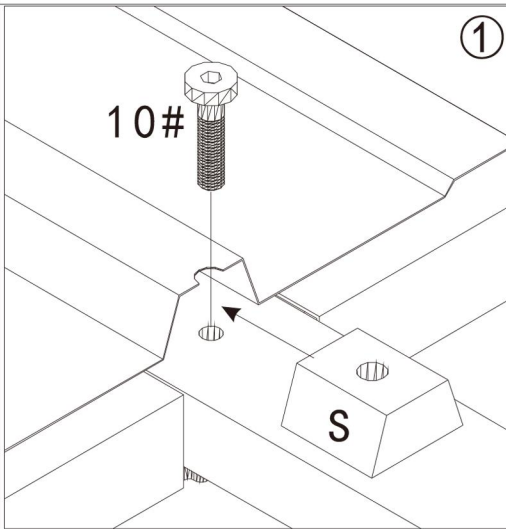
Step 17:

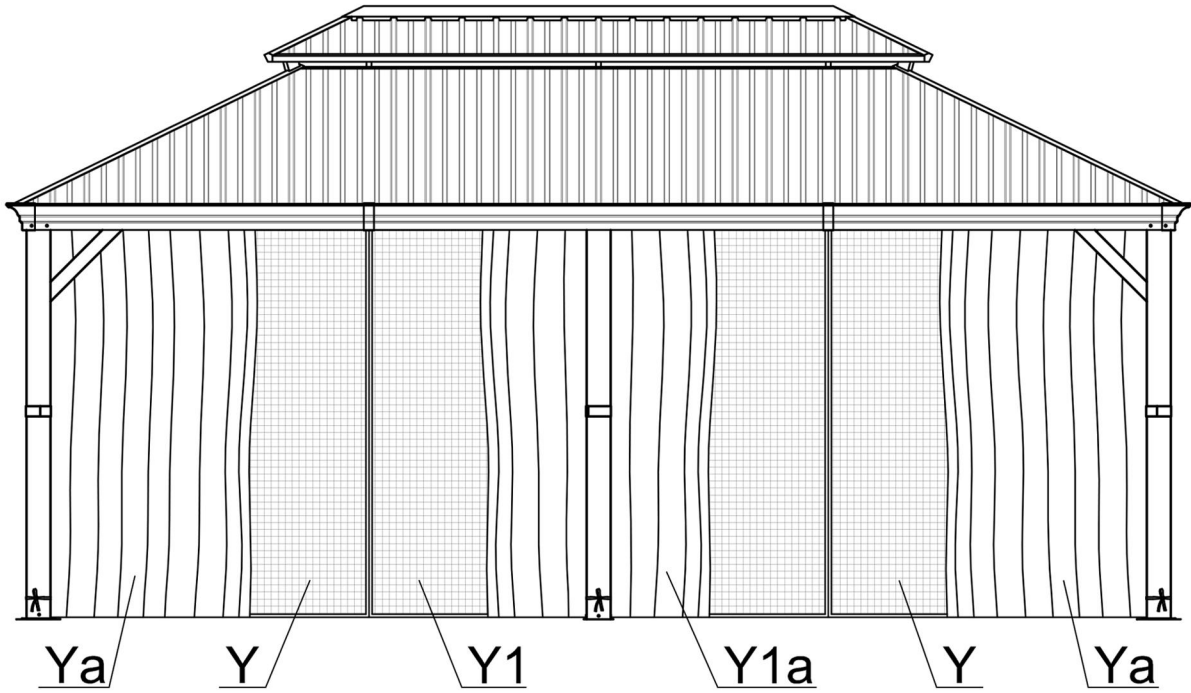
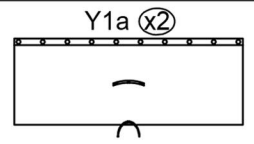
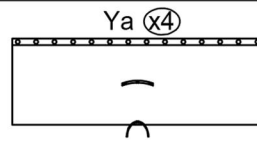
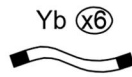
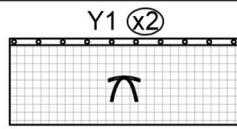
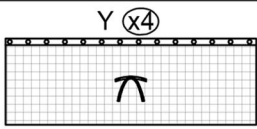
Connect roof panel using Part S and screws as shown in diagram.

Notice:

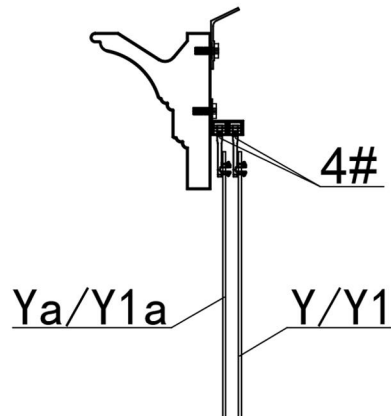
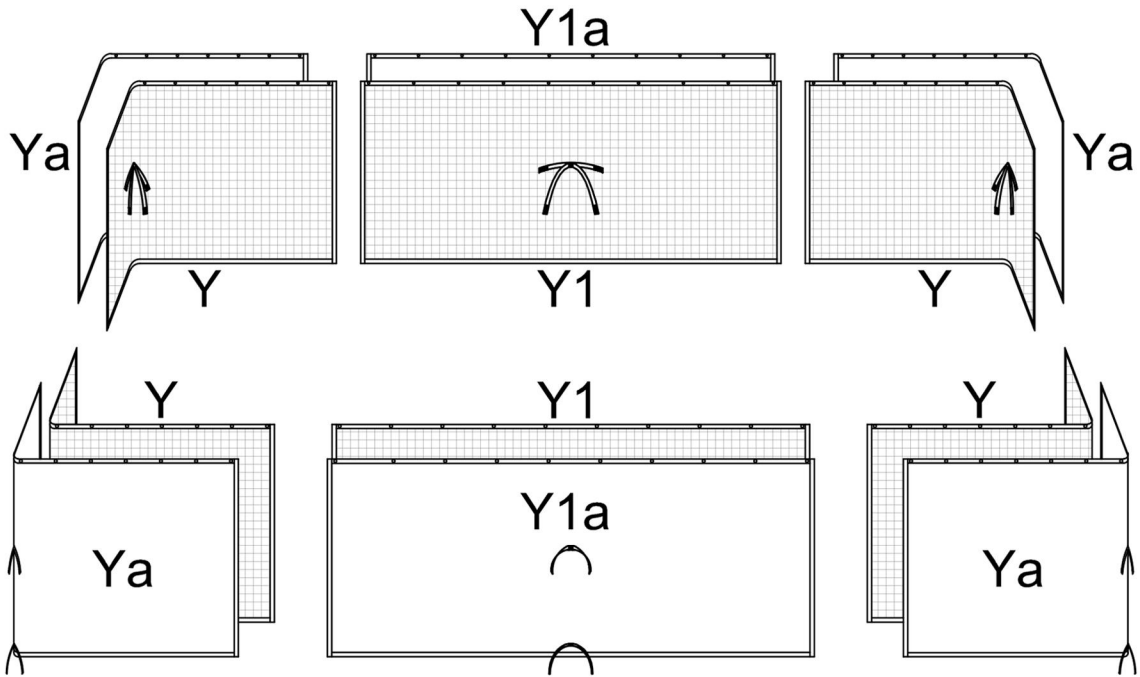
Put on one roof panel and fasten it accordingly before attaching.

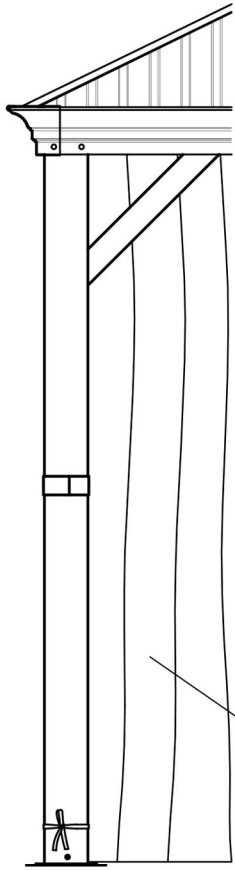
②



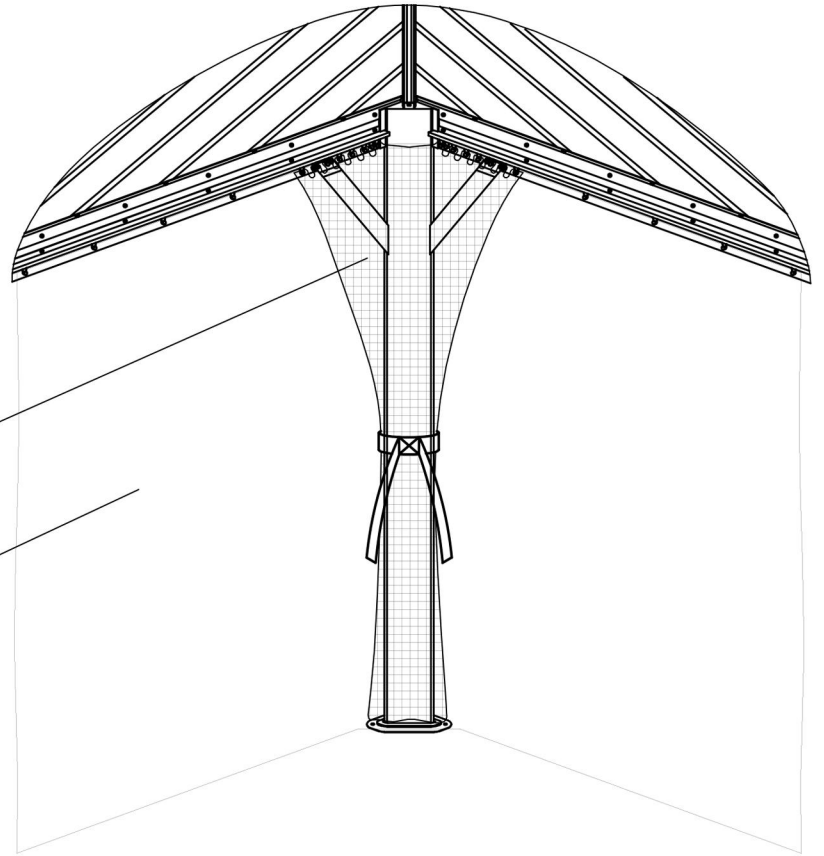


Put on mosquito sidewalls and solid sidewalls.



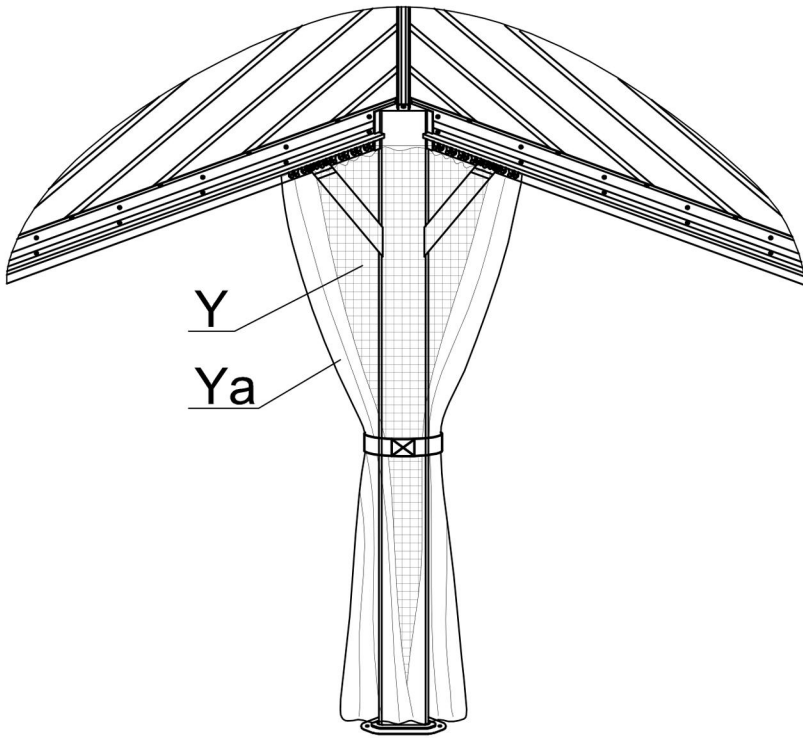


Ya



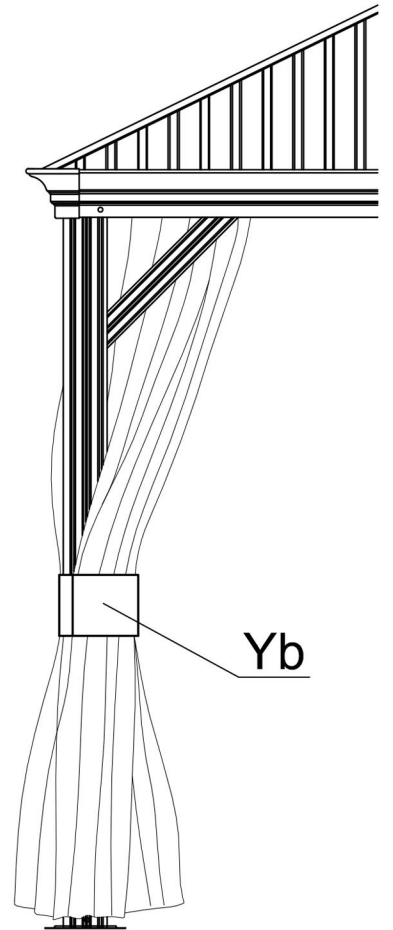
Y

Ya



Y

Ya



Yb



RESORT COMFORT IN YONR
OWN BACKYARD

Thanks for your purchase.

At domi outdoor living, we believe in our products.

That's why we provide a 12-month warranty and

friendly, easy-to-reach after-sales service. So if you

have any questions about our product and assembly-

, please feel free to contact us. We will be here for you.

Support:  

email: service@domioutdoorliving.com

Please tell us your order ID when contact.

Attach photos of damaged part for instant reply.