

# SQ083 - RESCUE PRO PFD REPAIR FORM



<b>BOOKING REF</b>	<small>TO BE COMPLETED BY SAFEQUIP</small>	<b>SALES ORDER No</b>	<small>TO BE COMPLETED BY SAFEQUIP</small>
--------------------	--	-----------------------	--

**IMPORTANT: INFORMATION REQUIRED BELOW TO BE COMPLETED BY THE CUSTOMER**

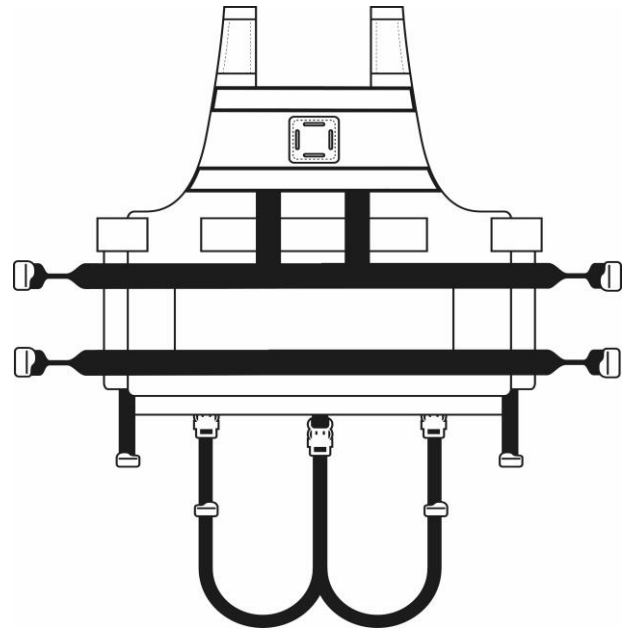
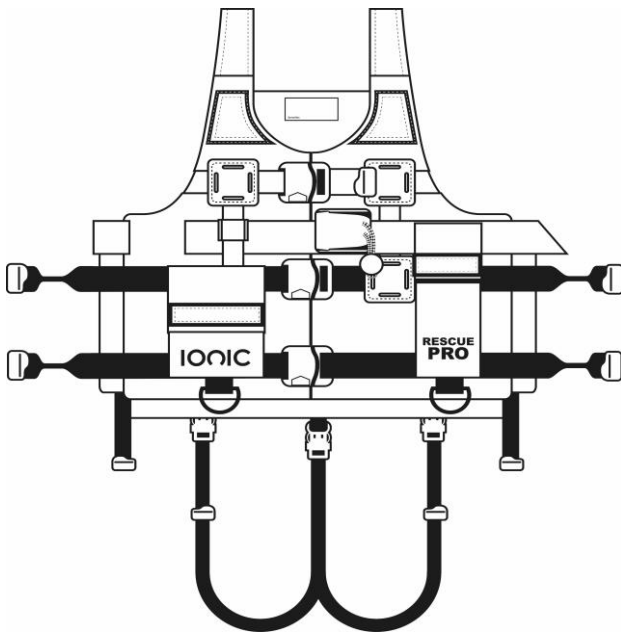
<b>DATE</b>		<b>PFD BATCH NUMBER</b>	
<b>MODEL</b>	<b>IONIC RESCUE PRO</b>	<b>PURCHASE ORDER No</b>	

<b>DO YOU REQUIRE A FORMAL QUOTATION PRIOR TO ANY REPAIRS BEING CARRIED OUT?</b>	<b>YES</b>	
	<b>NO</b>	

**SEND TO: SAFEQUIP LTD | UNIT 3 BRUNSWICK PARK | BRUNSWICK IND EST | BRUNSWICK | TYNE & WEAR | NE13 7BA**  
**TO CONTACT US - TELEPHONE +44 (0) 1259 727835 EMAIL: service@safequip.co.uk**

COMPANY/ORGANISATION NAME & ADDRESS (PLEASE PRINT)	CONTACT DETAILS (PLEASE PRINT)
<b>Name:</b>	<b>Name:</b>
<b>Shipping Address:</b>	<b>Position:</b>
	<b>Tel No:</b>
	<b>Mobile:</b>
	<b>Email Contact Address:</b>
<b>Post Code:</b>	

**PLEASE MARK ON THE PICTOGRAMS THE DAMAGE OR DEFECT(S)**



PLEASE PROVIDE FULL DETAILS OF THE DEFECT(S)	DETAILS OF REPAIRS CARRIED OUT

**\*IMPORTANT - BEFORE SENDING YOUR PFD(S)**

MAKE SURE A COMPLETED FORM FOR EACH PFD IS ENCLOSED TOGETHER WITH AN ORDER NUMBER WITH YOUR RETURNED PFD(S)

**FAILURE TO DO SO WILL DELAY THE REPAIR AND WILL INCUR A £10 ADMIN FEE**

**\*PLEASE ENSURE ALL PFD(S) ARE CLEAN & DRY BEFORE SHIPPING - OTHERWISE A CLEANING CHARGE MAY BE APPLIED**