

# EVBox Iqon

Premium commercial  
charging solution.



EVBOX

[evbox.com](https://evbox.com)

# Technical specifications

ELECTRICAL PROPERTIES	
Power line electrical input	2x 7.2 kW (240 V AC split-phase, 30 A per cable)
Electrical output	Up to 2x 7.2 kW
Charging mode	Level 2 (SAE J1772) / Mode 3 EVSE (IEC 61851)
Fixed charging cable	2x Type 1 (SAE J1772) fixed cables - fully sealed
Charging cable length	18 ft
Metering	Dual UL revenue-grade kWh meter California: CTEP variant available
Service panel breaker	Dual-pole common trip 40 A breaker

ENVIRONMENT AND SAFETY CLASS	
Operating temperature range	-22 °F to +113 °F
Maximum operating humidity (non-regulating)	85% RH (non-condensing)
Maximum installation altitude	6562 ft above sea level
Enclosure degree of protection	IP55 / IK10 / UL 50E (Type 3R)
Ground leakage detection	CCID 20 mA AC per outlet
Surge protection	6 kV

CONNECTIVITY	
Authorization	RFID, QR code, and Autostart
Communication standard	Dual band Wi-Fi 2.4/5 GHz, Bluetooth 4.0 for configuration with the EVBox Connect app, GPS
Communication protocol to backend	OCPP 1.6 J
Charging station and configuration	Using EVBox Connect app and OCPP compliant backend

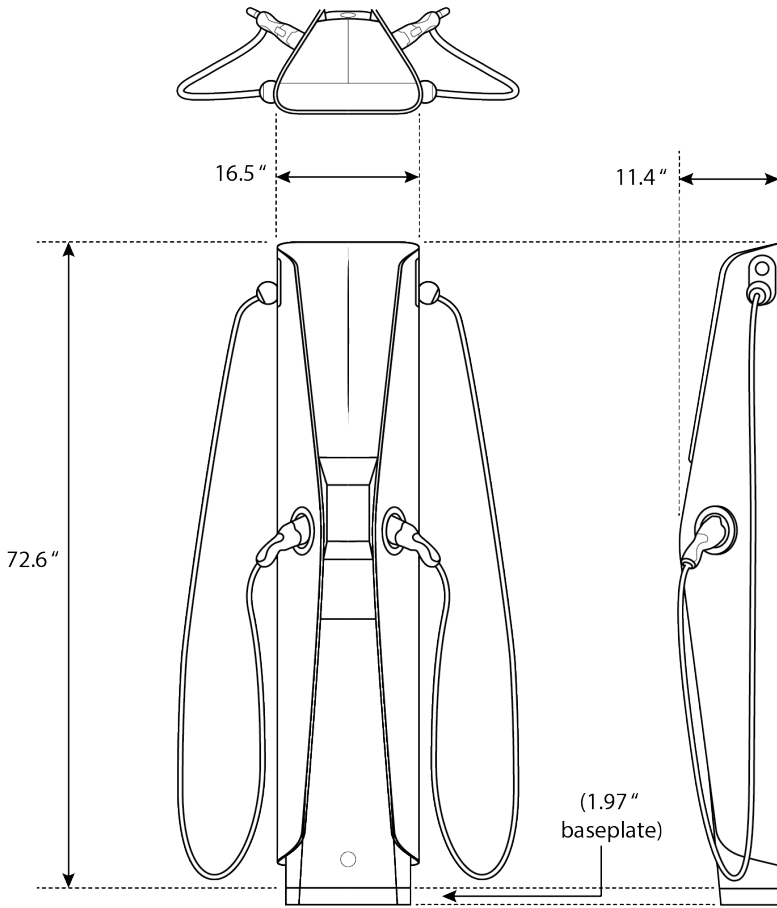
PHYSICAL PROPERTIES	
Dimensions (W x H x D)	16.5" x 72.6" x 11.4" 5"
Weight	188 lbs 210 lbs in packaging
Plastic materials	UL 94 - 5VA / US-FMVSS / ISO 3795 passed, DIN 53438 FI/K1
Locking holster	Quantity 2
Display	8" LCD full color screen (768 x 1024) with capacitive touch, sunlight readable
Status indication	2 LED rings, 1 per connector
Mounting	Ground mount: free-standing, wall-supported, or back-to-back
Cable management	Smart cable management: auto-locking, auto-retractable

CERTIFICATION AND COMPLIANCE	
UL 2594, UL 2231-2, UL 1998-3, UL 991, cULus	
FCC Part 15 Class A	
ISED ICES-003 Class A	
Dual AC Energy Meters: California - CTEP	
Energy Star	
Americans with Disabilities Act (ADA)	



# Technical specifications

## DIMENSIONS



Specifications and performance data contain average values within existing specification tolerances and are subject to change without prior notice.

© EVBox. All rights reserved. The EVBox name and logo are trademarks of EVBox B.V or one of its affiliates. No part of this document may be modified, reproduced, processed, or distributed in any form or by any means, without the prior written permission of EVBox.