

Installation Manual

For Tutorials and Troubleshooting visit www.thermasol.com/solutions

THERMASOL[®]

OVER 60 YEARS OF STEAM SHOWER INNOVATION

Digital Shower ThermaTouch 10 Package

ThermaTouch Control

Installation Manual

For Tutorials and Troubleshooting visit www.thermasol.com/solutions

TT10-XX

THERMASSOL[®]

OVER 60 YEARS OF STEAM SHOWER INNOVATION

1 Important Information before You Install

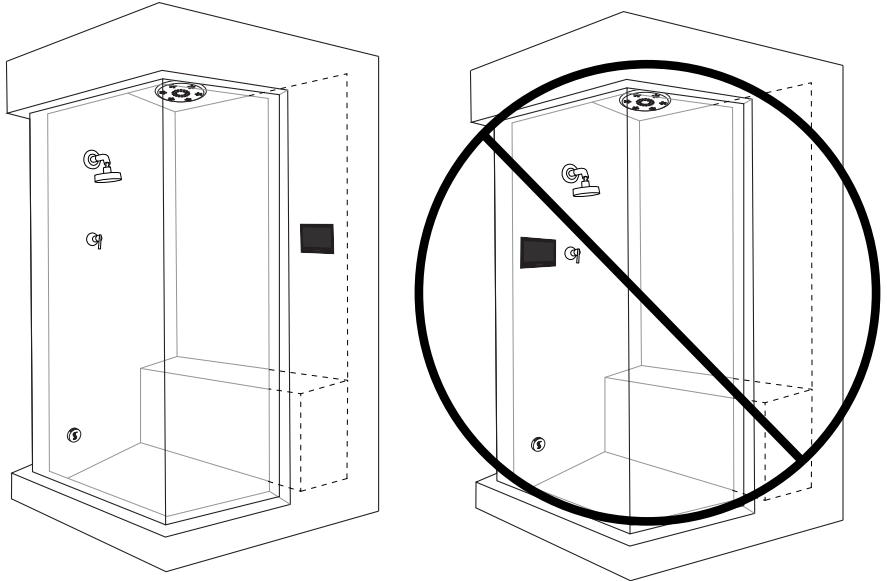
The ThermaTouch Control must be installed inside the shower. The ThermaTouch control will only function on the current TFX, SSA and PRO Series generators.

The control should be installed 60" from the floor of the shower and away from the steamhead.

The steamhead should be installed 24" from the floor and 6" from any wall. Locate as far as possible from the bathing seating area or location of the users and not below any fixtures.

IMPORTANT: When locating and installing the ThermaTouch, it is required to not place the control under any water-outlets, shower heads or in the direct path of flowing water.

SEE DIAGRAM FOR LOCATION EXAMPLE.



PLEASE REVIEW WARNINGS BELOW AND LEAVE THIS MANUAL WITH HOMEOWNER

DO NOT USE THIS PRODUCT UNLESS YOU HAVE CONSULTED WITH YOUR DOCTOR AND RECEIVED WRITTEN PERMISSION TO DO SO. USE OF THIS PRODUCT MAY BE HAZARDOUS TO YOUR HEALTH.

PLEASE CONSULT YOUR PHYSICIAN BEFORE USING. IF YOU ARE PREGNANT, ELDERLY, HAVE HIGH BLOOD PRESSURE, DIABETES, SUFFERING FROM HEART DISEASE, ARE INTOXICATED, OR NOT IN GOOD HEALTH, DO NOT USE THIS STEAM BATH.

STEAM IS HOT! DO NOT TOUCH OR GO NEAR THE STEAMHEAD FROM THE TIME THE UNIT IS "ON," UP TO ONE HOUR AFTER IT HAS SHUT OFF. SEVERE BURNS WILL OCCUR IF YOU COME IN CONTACT WITH THE STEAMHEAD OR STEAM EMITTING FROM THE STEAMHEAD.

NEVER ATTEMPT TO FILL AROMA RESERVOIR ON THE STEAMHEAD WHEN UNIT IS IN THE "ON" POSITION. SEVERE BURNS WILL OCCUR.

DO NOT USE THERMASOL AROMATHERAPY OILS, SKIN CARE PRODUCTS OR ANY PRODUCT ASSOCIATED WITH YOUR THERMASOL UNIT WITHOUT CONSULTING WITH YOUR ALLERGIST OR DOCTOR BEFORE USE. THESE PRODUCTS MAY BE HAZARDOUS TO YOUR HEALTH.

DO NOT USE STEAM ROOM WHILE UNDER THE INFLUENCE OF ALCOHOL OR DRUGS, AS THIS CAN BE HAZARDOUS TO YOUR HEALTH.

YOUR SHOWER MAY BE A SLIP-AND-FALL HAZARD. CHECK WITH YOUR CONTRACTOR OR FLOORING MANUFACTURER REGARDING THE SAFE USE OF YOUR FLOORING IN A STEAM APPLICATION. SLIPPING AND FALLING INTO THE STEAMHEAD ITSELF OR INTO THE STREAM OF STEAM EMITTING FROM THE STEAMHEAD WILL CAUSE SERIOUS BURNS OR PHYSICAL INJURY.

IF YOU ARE FEELING UNCOMFORTABLE, DIZZY, FAINT, OR STARTING TO FALL ASLEEP, IMMEDIATELY EXIT THE STEAM ROOM.

DO NOT USE STEAM ROOM IF YOU ARE UNDER THE AGE OF 16 UNLESS SUPERVISED BY AN ADULT.

THERMASOL STEAM BATH GENERATORS ARE NOT DESIGNED TO BE USED FOR SPACE HEATING PURPOSES.

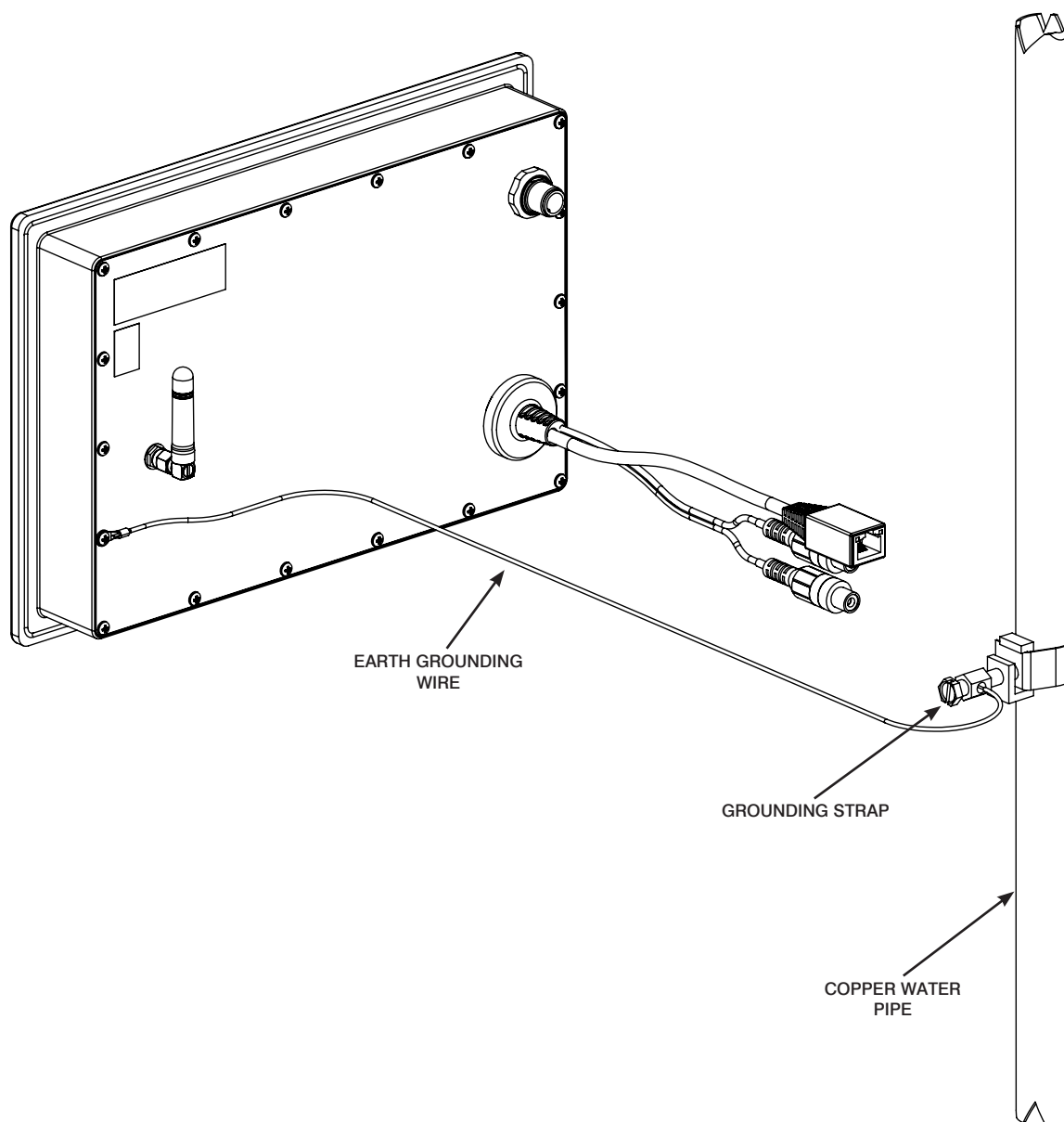
THERMASOL STEAM BATH GENERATORS ARE FOR INDOOR USE ONLY. THEY SHOULD NEVER BE LOCATED OUTSIDE THE HOME.

All products must be installed in accordance with installation instructions provided. Failure to do so may invalidate warranty at manufacturer's discretion. ©2019ThermaSol.

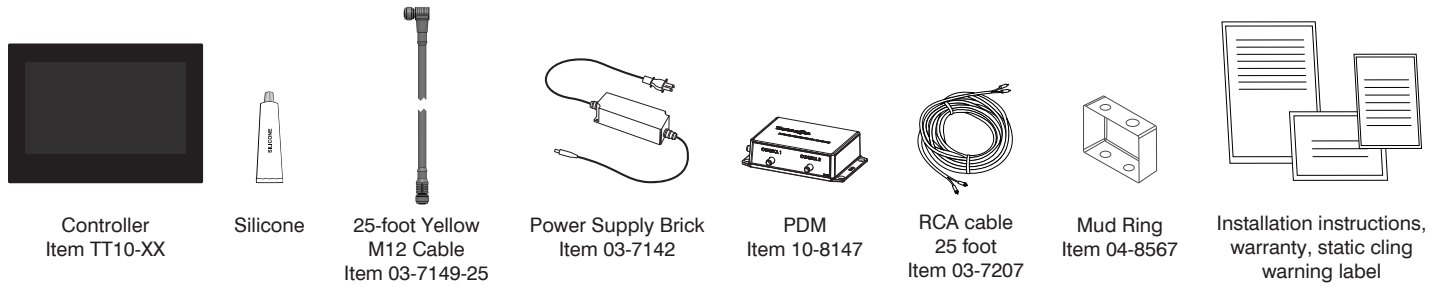
1a Important Installation step

YOUR THERMATOUCH SMART TOUCHSCREEN CONTROL COMES WITH A PREINSTALLED EARTH GROUNDING WIRE ON THE BACK OF THE CONTROLLER. PRIOR TO INSTALLTION OF YOUR THERMATOUCH LOCATE THE CLOSEST EARTH GROUND (COPPER WATER PIPE) AND ATTACHED THE WIRE AS SHOWN BELOW.

IF YOU HAVE ANY QUESITONS ABOUT THIS PROCESS PLEASE CONTACT US AT SUPPORT@THERMASOL.COM OR BY PHONE AT 800.776.0711

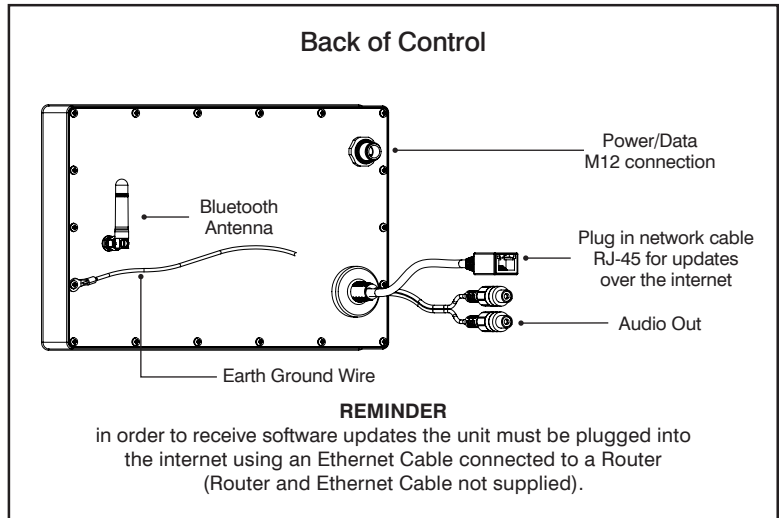


2 Tools and Materials

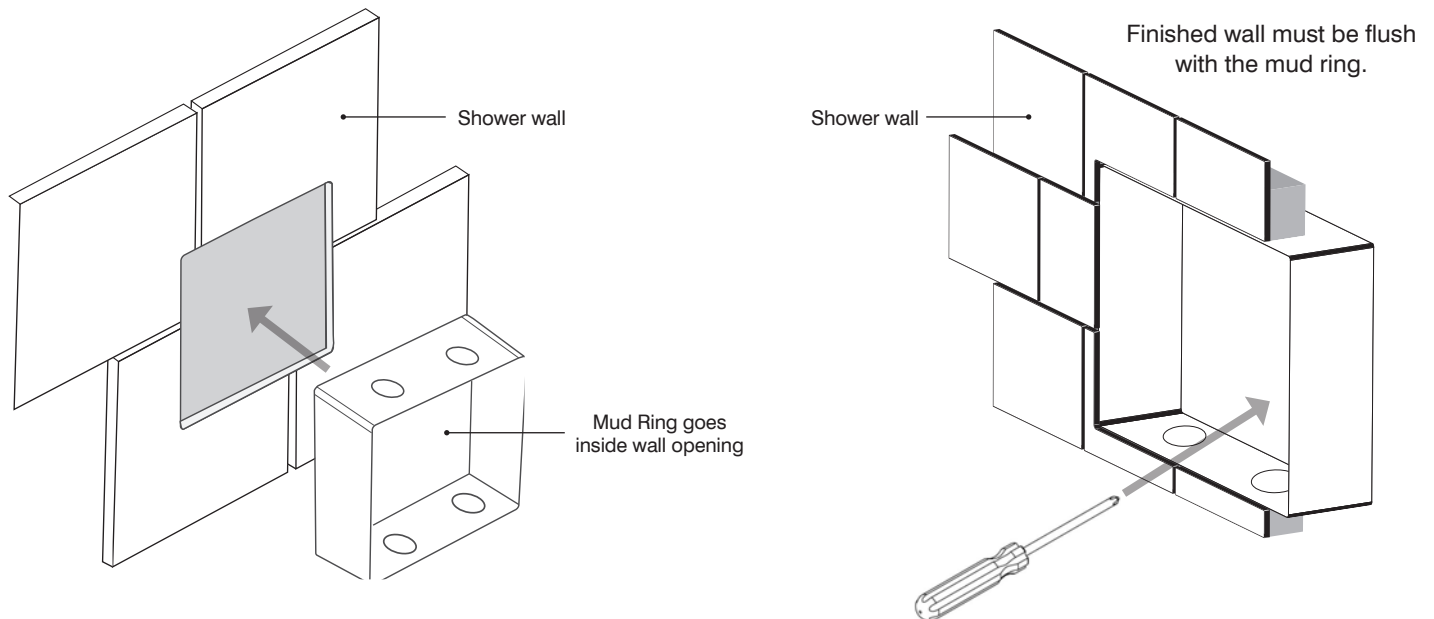


Materials needed:

- ThermaTouch control
- M12 cable
- Silicone
- Power Distribution Module (PDM)
- Mud Ring
- Ethernet Cable with RJ-45 Connector (not supplied)
- Other materials as required



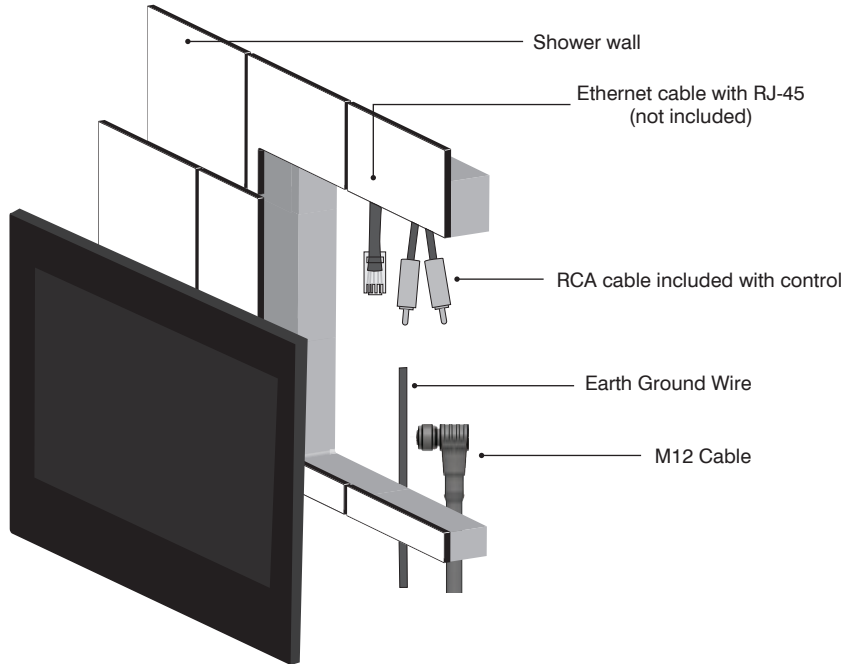
3 Mud Ring Application



9.75"W x 6.375"H x 3.125"D opening for recessed mount TT10-XX Mud Ring

Read warnings on page 2. For illustrative purposes only. Consult with qualified professional for steam room construction details.

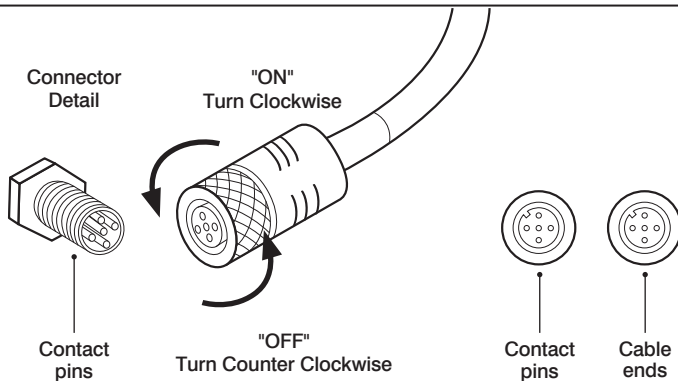
4 Control Installation and Data Cable Connection



Route the M12 cable through the finished wall to the back side of the control. (The other end of the cable runs to the PDM location.) NOTE: It is recommended to run the cable through electrical conduit. **DO NOT STAPLE** the cable!

Run the M12 cable so the 90-degree end connection will connect to the ThermaTouch control. Then connect the M12 Cable to ThermaTouch control. Do not over tighten.

If the Light, Sound, Rain Head option is not used then amplified speakers are required for sound.

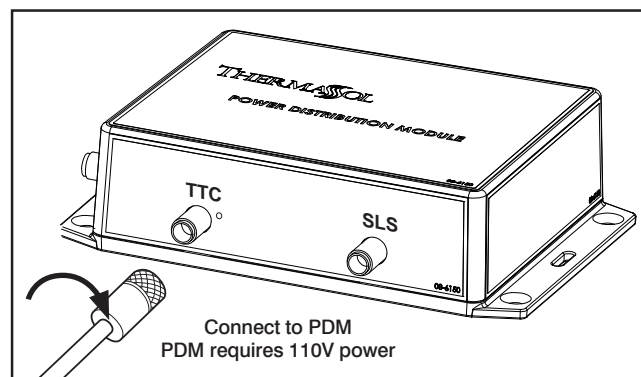
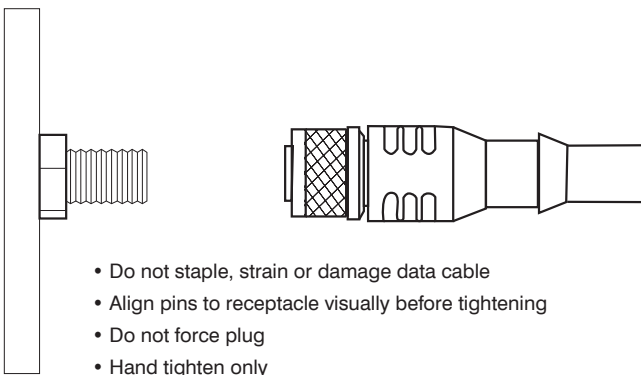


DO NOT pinch, nail, staple, wedge, or bind the data cable.

DO NOT wrap the data cable around steam line or route it in a manner so that the hot steam line could melt the cable.

Any damage to the control cable will result in the control not working properly.

Carefully connect the data cable to the PDM and control **BEFORE** turning power on to the generator or PDM.



Connect the data cable to Power Distribution Module (PDM). (The other end of the cable runs to the back of the control in the shower location.)

5 Sealing Control

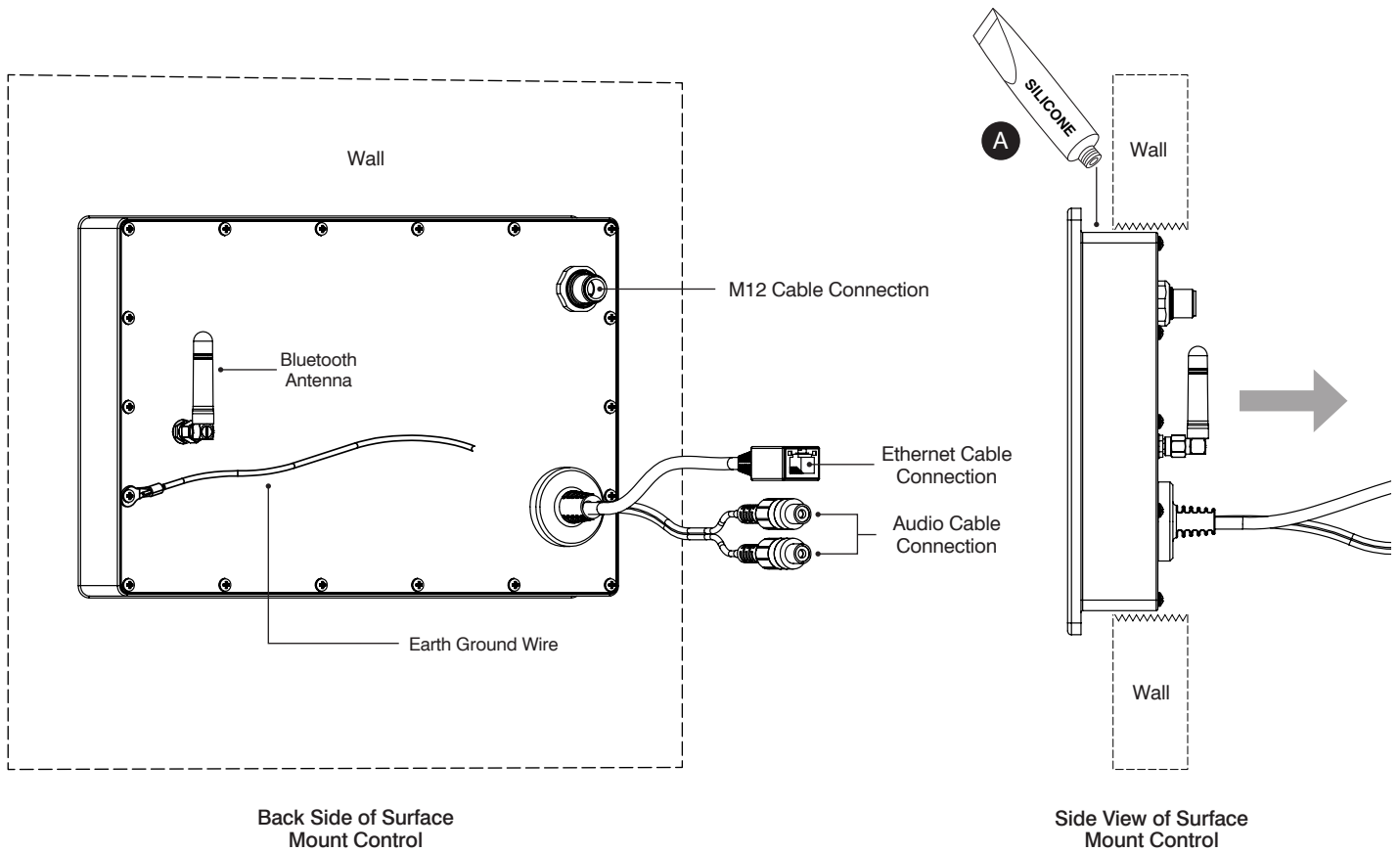
THESE STEPS MUST BE TAKEN FOR CORRECT INSTALLATION OF THE CONTROL. REMOVE MUD RING FROM WALL CUTOUT BEFORE MAKING FINAL CABLE CONNECTIONS TO THE THERMATOUCH CONTROL. TEST THAT ALL CONNECTIONS ARE WORKING BEFORE SEALING THE CONTROL TO THE WALL.

(Power on the control and see that it lights up).

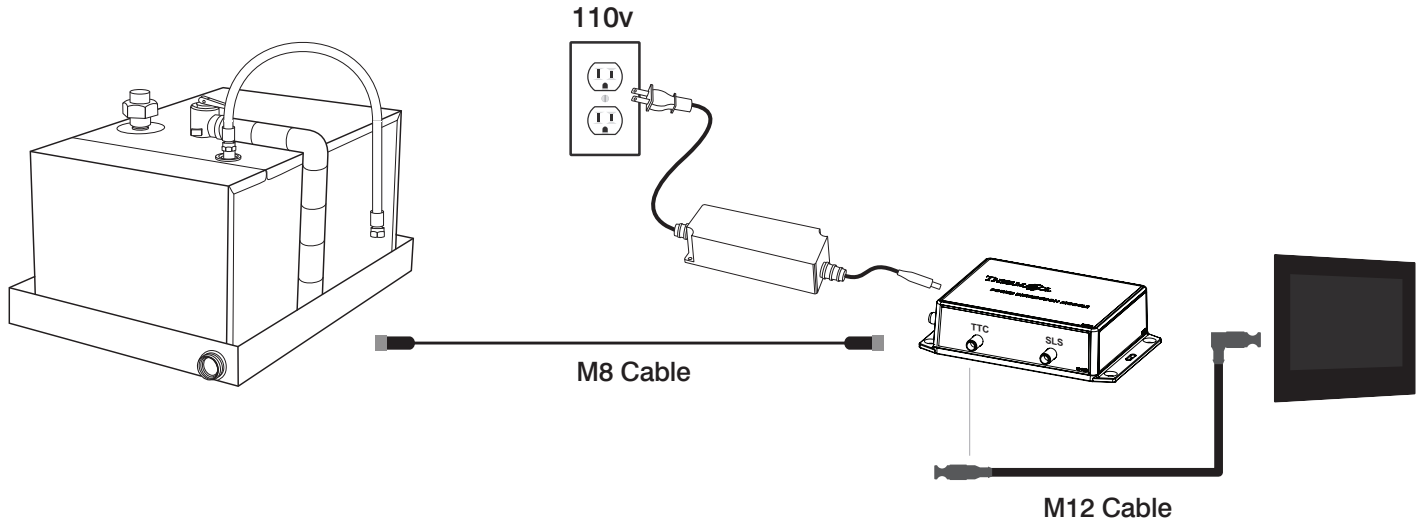
- A** Coat the entire groove on the control back with supplied waterproof silicone to fully seal the control to the wall. Completely seal the control to the wall so moisture does not collect behind it.

Place the control on the wall pressing firmly.
(You may need to tape the control into place until the silicone dries.)

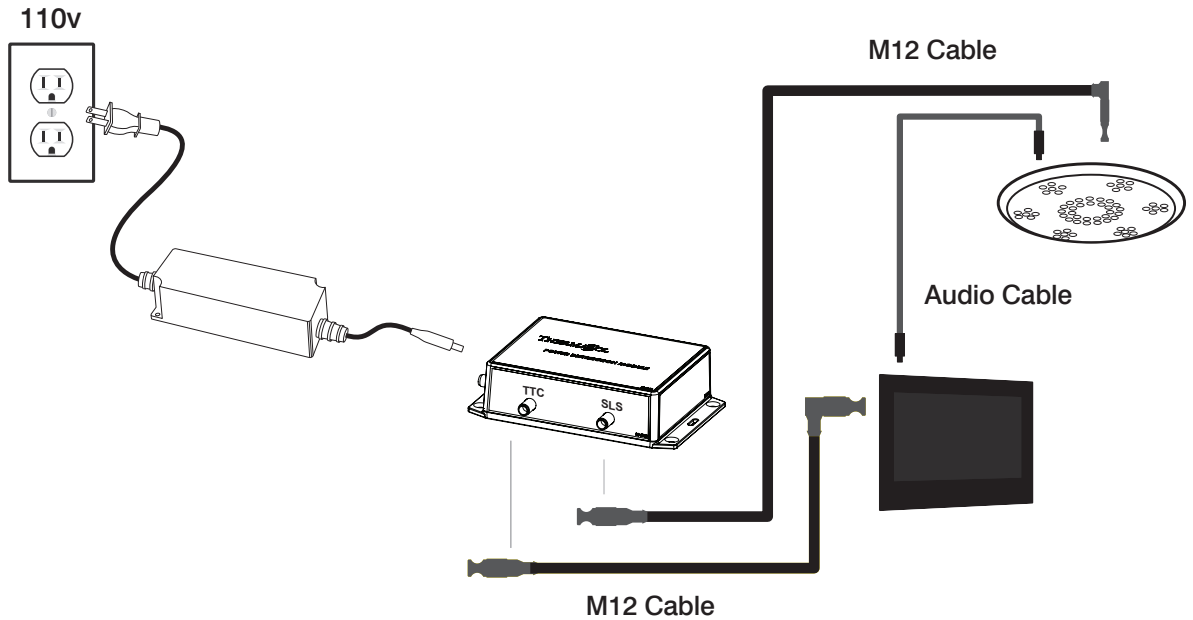
Be careful not to harm the wall or control with the tape. Let dry for 24 hours before using steam bath.



6a Connecting ThermaTouch to Generator

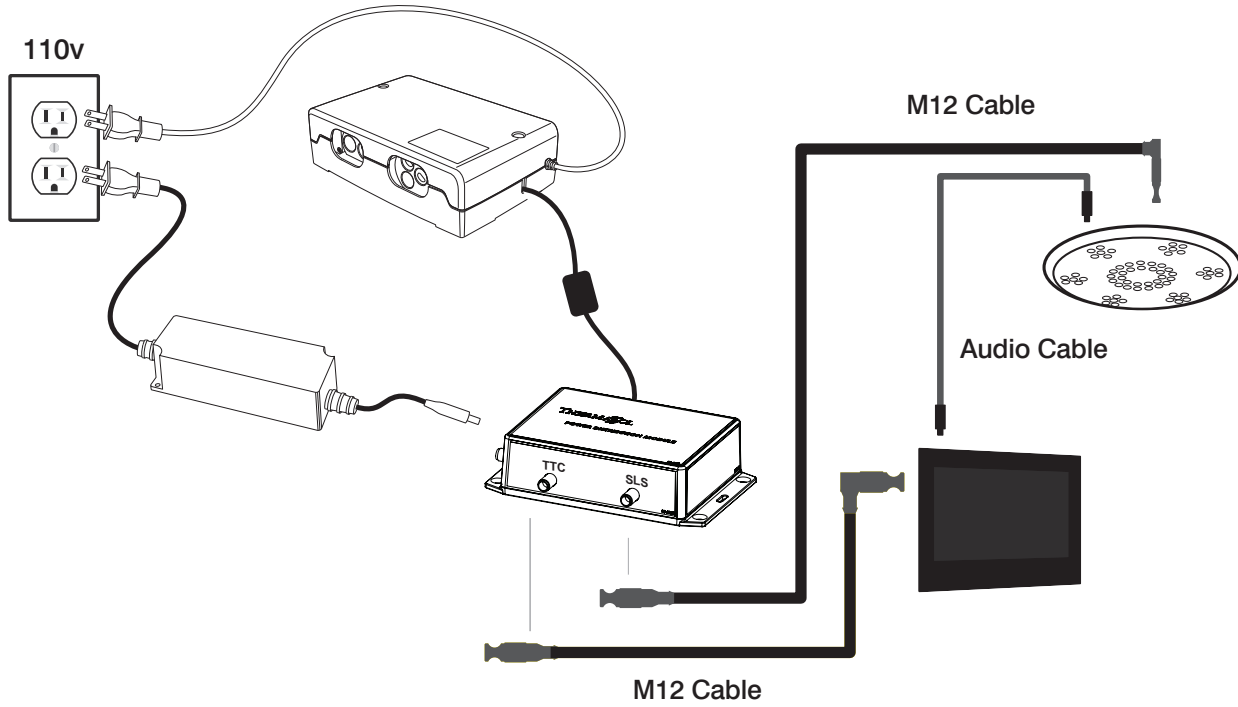


6b Connecting ThermaTouch to Serenity Light, Sound, Rainhead

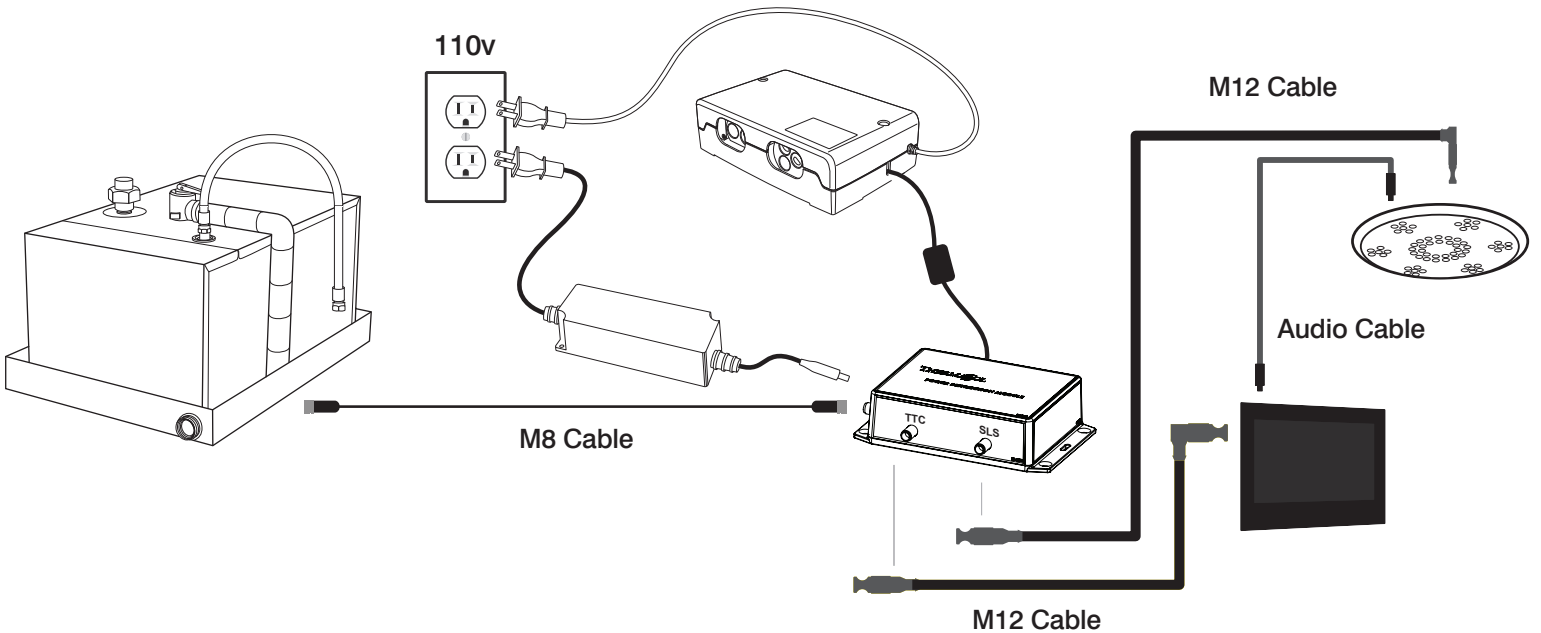


Read warnings on page 2. For illustrative purposes only. Consult with qualified professional for steam room construction details.

6c Connecting ThermaTouch to Digital Shower



6b Connecting Total Wellness Package



Read warnings on page 2. For illustrative purposes only. Consult with qualified professional for steam room construction details.

7 Steam Line and Steamhead

Now you will need to decide on the steamhead placement in the shower so you can run the steam line from the generator to the steamhead. There are a couple of things you need to know about the placement of the steamhead and steam line itself.

DO NOT install any valve in the steam line. Flow of steam must be unobstructed.

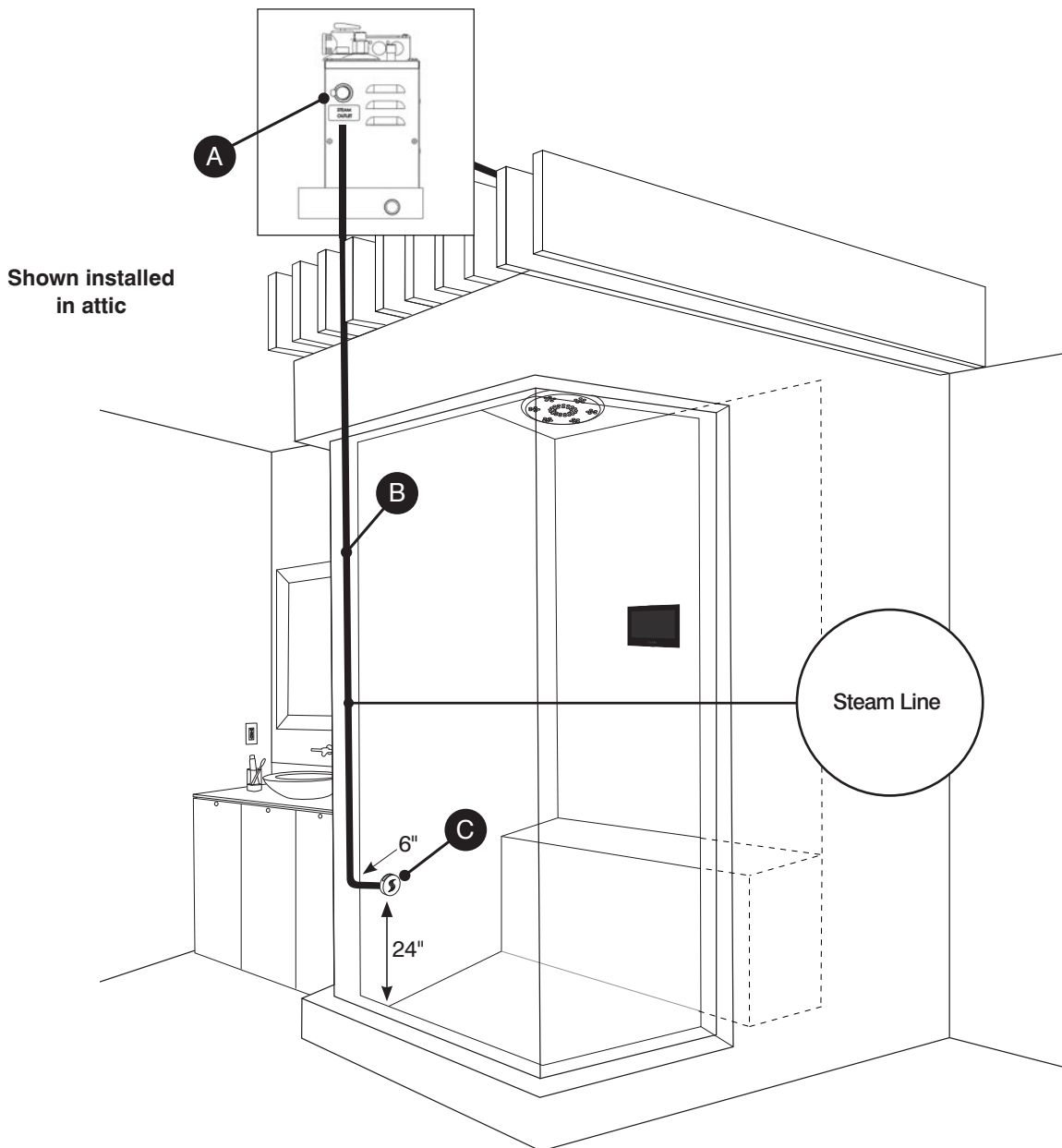
DO NOT plumb any traps in the steam line.

- A** The steam outlet on the generator requires a 1/2" brass union for easy installation (not included).
- B** Use 1/2" brass pipe or copper tubing from unit to steamhead rough-in fitting as permitted by code.

The steam line can run up and then down, once; or horizontal; but never run down and then up. If it does, a steam trap will be produced at the low point blocking the flow of steam.

Insulate the steam outlet piping if the piping run exceeds 10 feet or is exposed to cold areas. Use steam rated insulation.

Pitch/angle steam lines back towards generator before any up or down turns; pitch/angle towards steam room after any up or down and avoid perfectly level plumbed lines.



Read warnings on page 2. For illustrative purposes only. Consult with qualified professional for steam room construction details.

Steamhead Location

DO NOT install the steamhead near the seating area or the user.

DO NOT forget to install the steamhead rough-in fitting!

C **Install the steamhead 24" from the floor or bathtub rim and 6" from any corner.**

Steamhead is to be mounted as far as possible from typical bathing position (seated or standing) and installed as far from the in-shower controller as possible.

For retrofit to existing finish wall:

Drill a 1-1/8" diameter hole in the shower wall or wall above bathtub rim for the steam outlet rough-in fitting and install to be flush with the finished wall. this housing must be sealed to the wall to not allow vapor or water behind it. (plumbing must be done from backside of finished space)

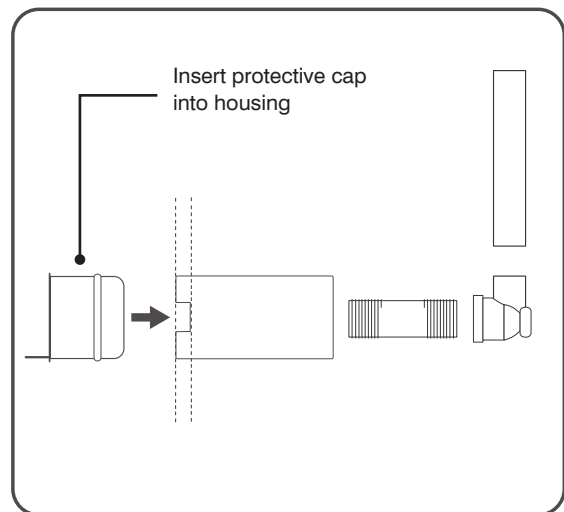
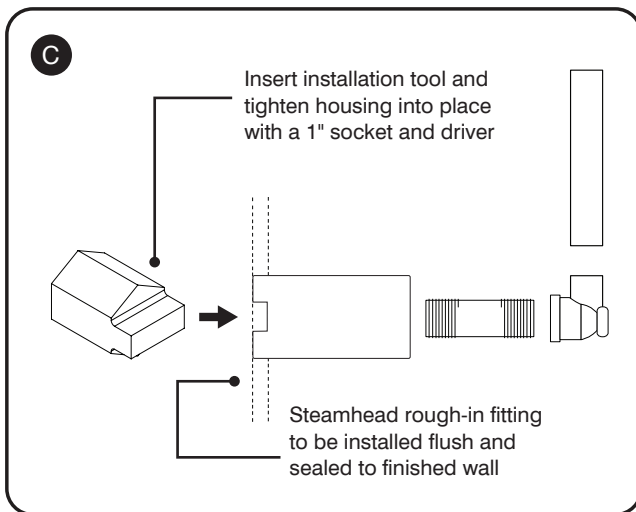
For new framing: Mount and install rough-in fitting to be flush with finished wall.

Connect a 1/2" NPT brass pipe or copper tubing to the steam outlet union (not included) on the generator running the pipe to the steam head location in the wall to connect with the steamhead rough-in fitting. It is very

important that the pipe is firmly secured to the wall, so that when the steamhead is installed it doesn't push the rough-in fitting back into the wall. Install a 1/2" drop elbow on the end of the 1/2" pipe or tubing for the rough-in fitting.

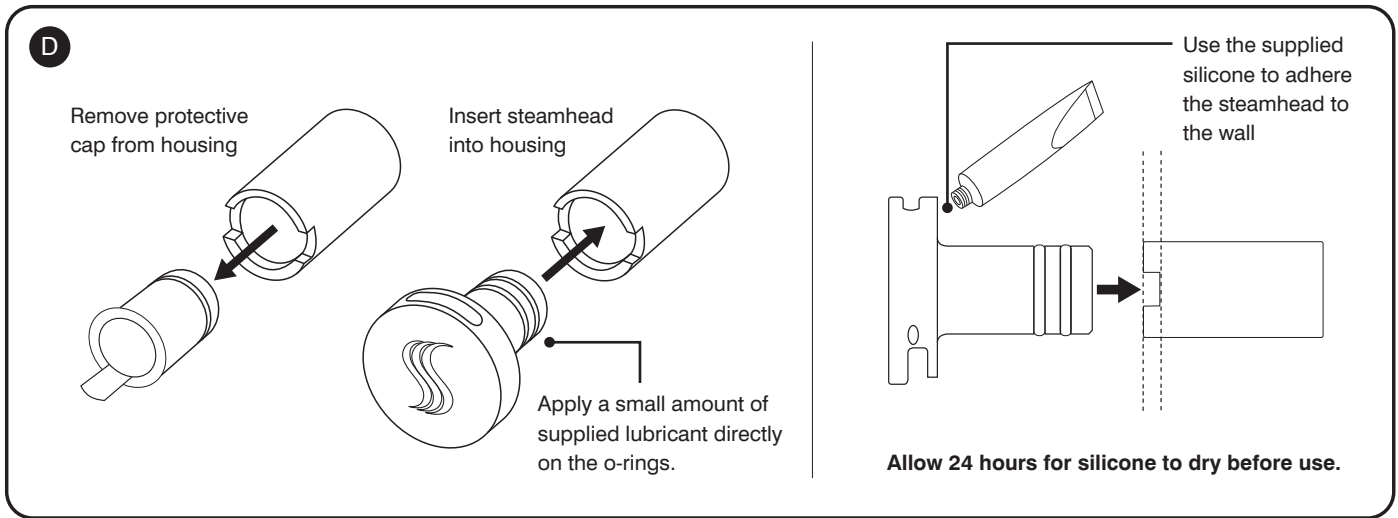
Use the installation tool to tighten the housing in place with a 1" socket and driver. Then insert the protective cap into the housing.


For all the connections, use solder for copper joints and Teflon tape for pipe fittings and do not over tighten fittings. **DO NOT USE PVC CEMENT.**



D Once the shower wall is complete and the housing is sealed to the wall, remove the protective cap and insert the steamhead into housing. Use the supplied silicone to adhere the steamhead to the wall sealing out any water from getting behind the head.

Use supplied o-ring lubricant to assist in steam head installation. A very small amount is all that is need directly on the o-rings.



Upon final installation mount steamhead with  facing up to allow aromatherapy well to dispense steam.

For detailed installation instructions of the steamhead please see Installation section in thermasol.com/customer-support

8 Final Pre-Check Before Operation

Turn ON the water supply to the generator. Check all the connections for leaks.

Plug in generator (unless hardwired model).

Turn ON the power source or breaker.

Verify control panel lights up and test operation. Note: Initial power-on phase takes several minutes for generator to heat up steam.

Please direct the home owner to visit www.thermasol.com/solution and click on the “I’m the home owner” button to learn about set-up and programing (in order to set up the clock and any other options if applicable).

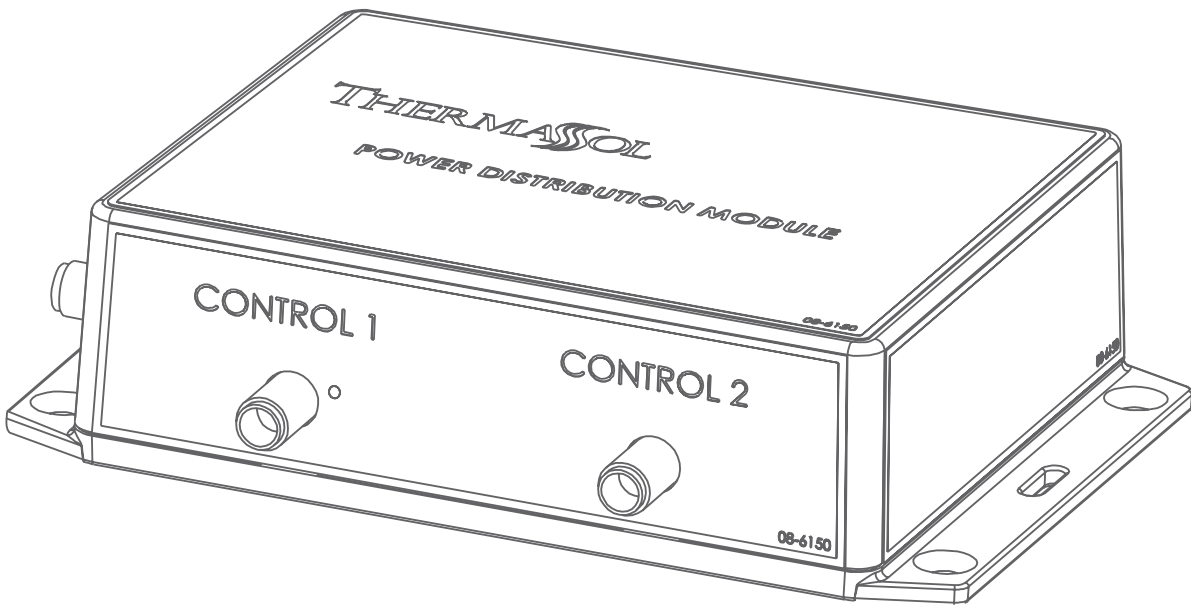
9 Trouble Shooting, Tutorials and Error Codes

Visit www.thermasol.com/solutions.

Click on Troubleshoot then click on ThermaTouch Control Error Codes.



Power Distribution Module



Installation Manual

For Tutorials and Troubleshooting visit www.thermasol.com/solutions

THERMASOL[®]

OVER 60 YEARS OF STEAM SHOWER INNOVATION

1 Important Information before You Install

PLEASE REVIEW WARNINGS BELOW AND LEAVE THIS MANUAL WITH HOMEOWNER

DO NOT USE THIS PRODUCT UNLESS YOU HAVE CONSULTED WITH YOUR DOCTOR AND RECEIVED WRITTEN PERMISSION TO DO SO. USE OF THIS PRODUCT MAY BE HAZARDOUS TO YOUR HEALTH.

PLEASE CONSULT YOUR PHYSICIAN BEFORE USING. IF YOU ARE PREGNANT, ELDERLY, HAVE HIGH BLOOD PRESSURE, DIABETES, SUFFERING FROM HEART DISEASE, ARE INTOXICATED, OR NOT IN GOOD HEALTH, DO NOT USE THIS STEAM BATH.

STEAM IS HOT! DO NOT TOUCH OR GO NEAR THE STEAMHEAD FROM THE TIME THE UNIT IS "ON," UP TO ONE HOUR AFTER IT HAS SHUT OFF. SEVERE BURNS WILL OCCUR IF YOU COME IN CONTACT WITH THE STEAMHEAD OR STEAM EMITTING FROM THE STEAMHEAD.

NEVER ATTEMPT TO FILL AROMA RESERVOIR ON THE STEAMHEAD WHEN UNIT IS IN THE "ON" POSITION. SEVERE BURNS WILL OCCUR.

DO NOT USE THERMASOL AROMATHERAPY OILS, SKIN CARE PRODUCTS OR ANY PRODUCT ASSOCIATED WITH YOUR THERMASOL UNIT WITHOUT CONSULTING WITH YOUR ALLERGIST OR DOCTOR BEFORE USE. THESE PRODUCTS MAY BE HAZARDOUS TO YOUR HEALTH.

DO NOT USE STEAM ROOM WHILE UNDER THE INFLUENCE OF ALCOHOL OR DRUGS, AS THIS CAN BE HAZARDOUS TO YOUR HEALTH.

YOUR SHOWER MAY BE A SLIP-AND-FALL HAZARD. CHECK WITH YOUR CONTRACTOR OR FLOORING MANUFACTURER REGARDING THE SAFE USE OF YOUR FLOORING IN A STEAM APPLICATION. SLIPPING AND FALLING INTO THE STEAMHEAD ITSELF OR INTO THE STREAM OF STEAM EMITTING FROM THE STEAMHEAD WILL CAUSE SERIOUS BURNS OR PHYSICAL INJURY.

IF YOU ARE FEELING UNCOMFORTABLE, DIZZY, FAINT, OR STARTING TO FALL ASLEEP, IMMEDIATELY EXIT THE STEAM ROOM.

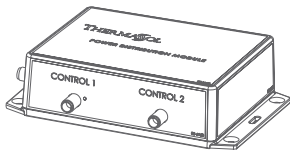
DO NOT USE STEAM ROOM IF YOU ARE UNDER THE AGE OF 16 UNLESS SUPERVISED BY AN ADULT.

THERMASOL STEAM BATH GENERATORS ARE NOT DESIGNED TO BE USED FOR SPACE HEATING PURPOSES.

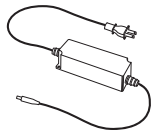
THERMASOL STEAM BATH GENERATORS ARE FOR INDOOR USE ONLY. THEY SHOULD NEVER BE LOCATED OUTSIDE THE HOME.

All products must be installed in accordance with installation instructions provided. Failure to do so may invalidate warranty at manufacturer's discretion.
©2016 ThermaSol.

2 Tools and Materials



PDM
Item 10-8147



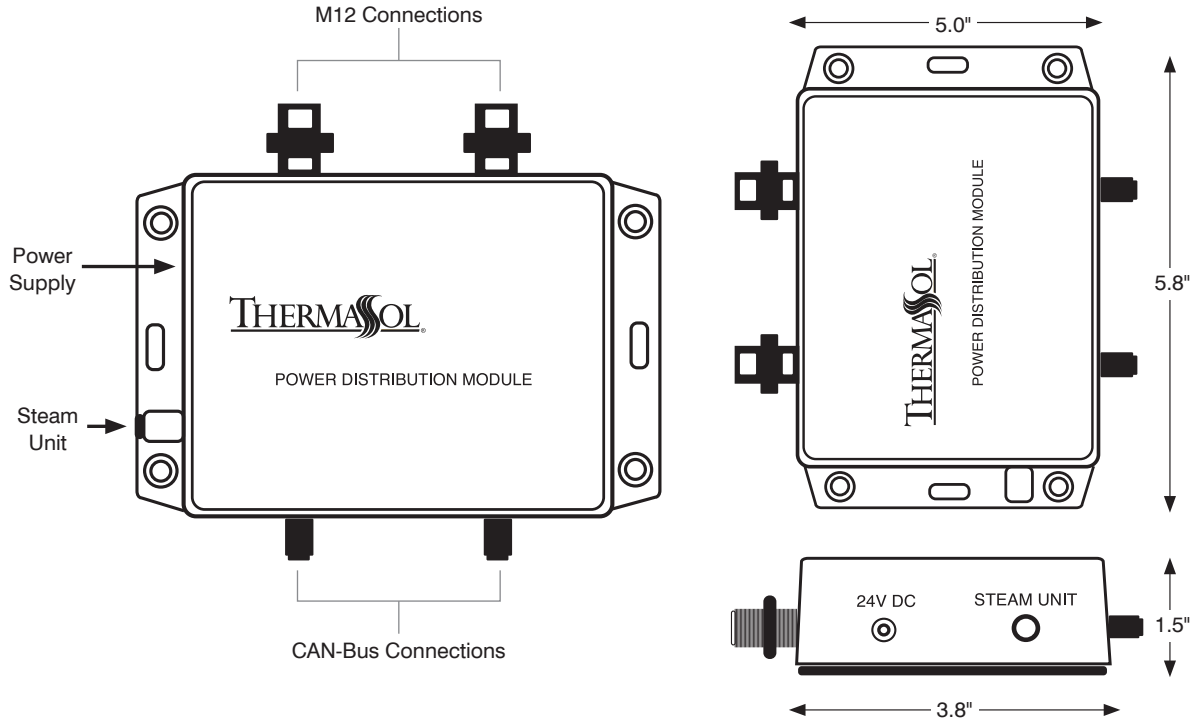
Power Supply Brick
Item 03-7142



Rough-In Guide
Item 92023-001

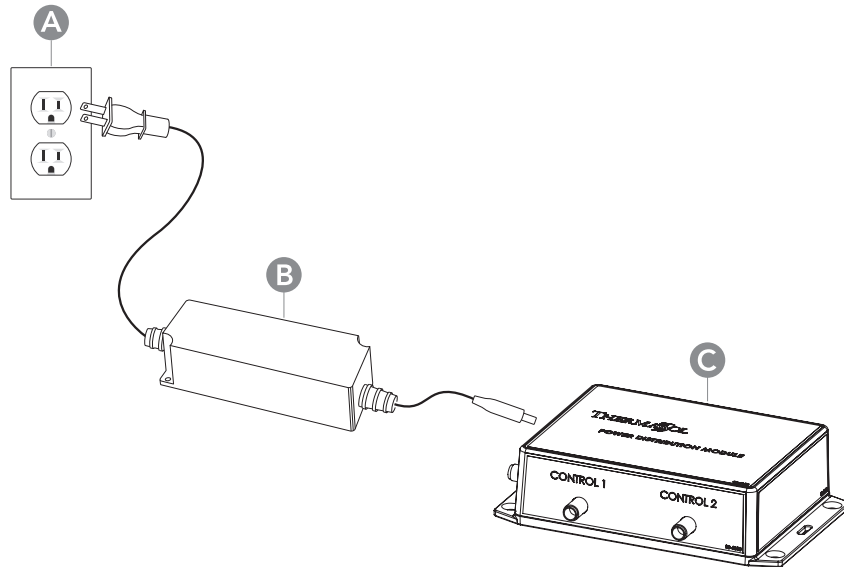
Materials needed:

- o PDM Module
- o Rough-In Guide 92023-001
- o Power Supply (03-7142)



3 Connections

- A 110VAC Power
- B Power Supply
- C PDM Module



Refer to your controller installation instruction for further wiring requirements.

Note: Do not power up the PDM until all connections are made to your controller and accessories.

THERMASOL®

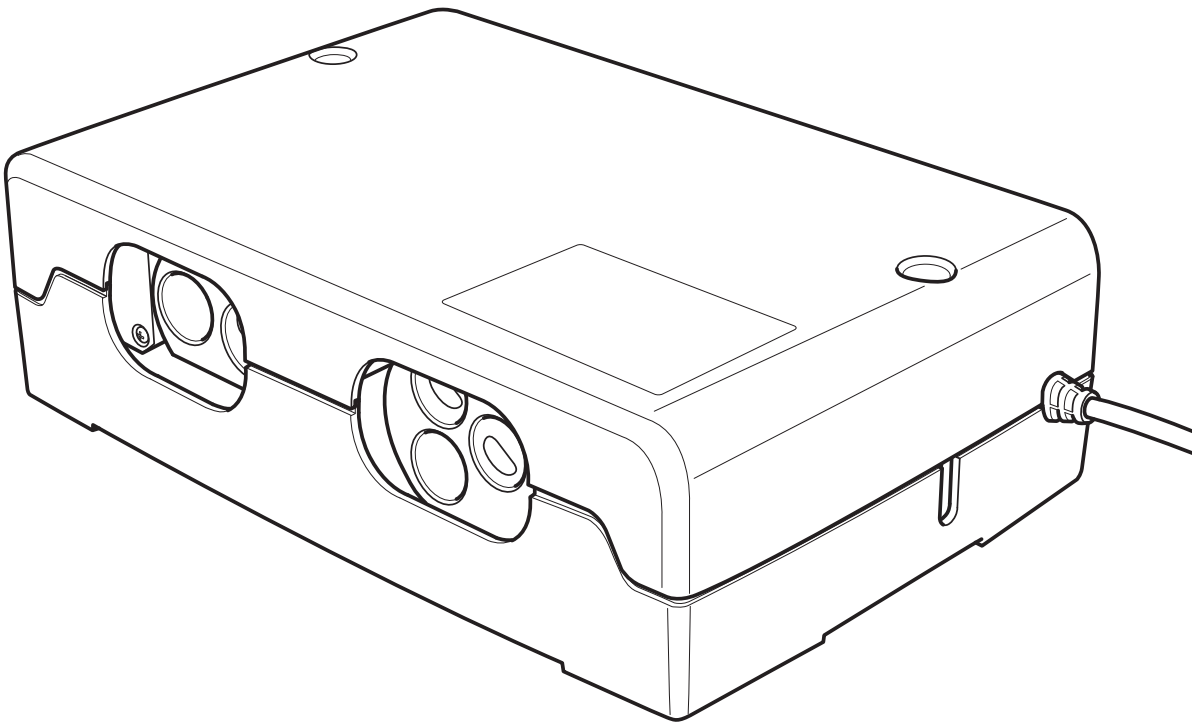
Superior Steamshower Systems



1958 STEAM WAY ROUND ROCK, TX 78665
PHONE: 800.776.0711 | FAX: 800.556.5257 | WWW.THERMASOL.COM

PN: 81191_A

Digital Shower Valve



Installation Manual

TDS-3000

THERMASOL[®]

OVER 60 YEARS OF STEAM SHOWER INNOVATION

1 Important Information Before You Install

Make sure the walls, ceiling and floor materials are suitable for use with this product. Ensure electrical power is turned off for the duration of the installation.

IMPORTANT: The Digital Shower Valve must be accessible and should not be sealed in the wall

PLEASE REVIEW WARNINGS BELOW AND LEAVE THIS MANUAL WITH HOMEOWNER

BEFORE USING THE SHOWER, TEST THE WATER TEMPERATURE WITH YOUR HAND BEFORE FULLY ENTERING THE SHOWER.

DO NOT USE THERMASOL AROMATHERAPY OILS OR SKIN CARE PRODUCTS OR ANY PRODUCT ASSOCIATED WITH YOUR THERMASOL PRODUCT WITHOUT CONSULTING WITH YOUR ALLERGIST OR DOCTOR BEFORE USE. THESE PRODUCTS MAY BE HAZARDOUS TO YOUR HEALTH.

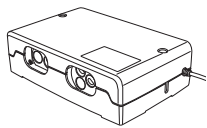
DO NOT USE THIS PRODUCT WHILE UNDER THE INFLUENCE OF ALCOHOL OR DRUGS, AS THIS CAN BE HAZARDOUS TO YOUR HEALTH.

All products must be installed in accordance with installation instructions provided. Failure to do so may invalidate warranty at manufacturer's discretion.

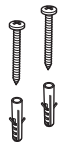
©2018 ThermaSol.

2 Tools and Materials

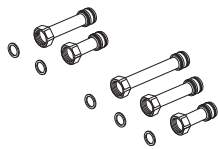
Parts enclosed with the Digital Shower:



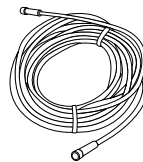
Digital Shower
10.9" x 6.93" x 2.95"



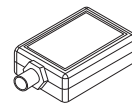
Set of screws,
2 x 5 x 50 mm



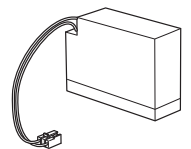
Set of connection nipples
All connections are 1/2" NPT



50-foot CAN-bus cable



Digital Interface

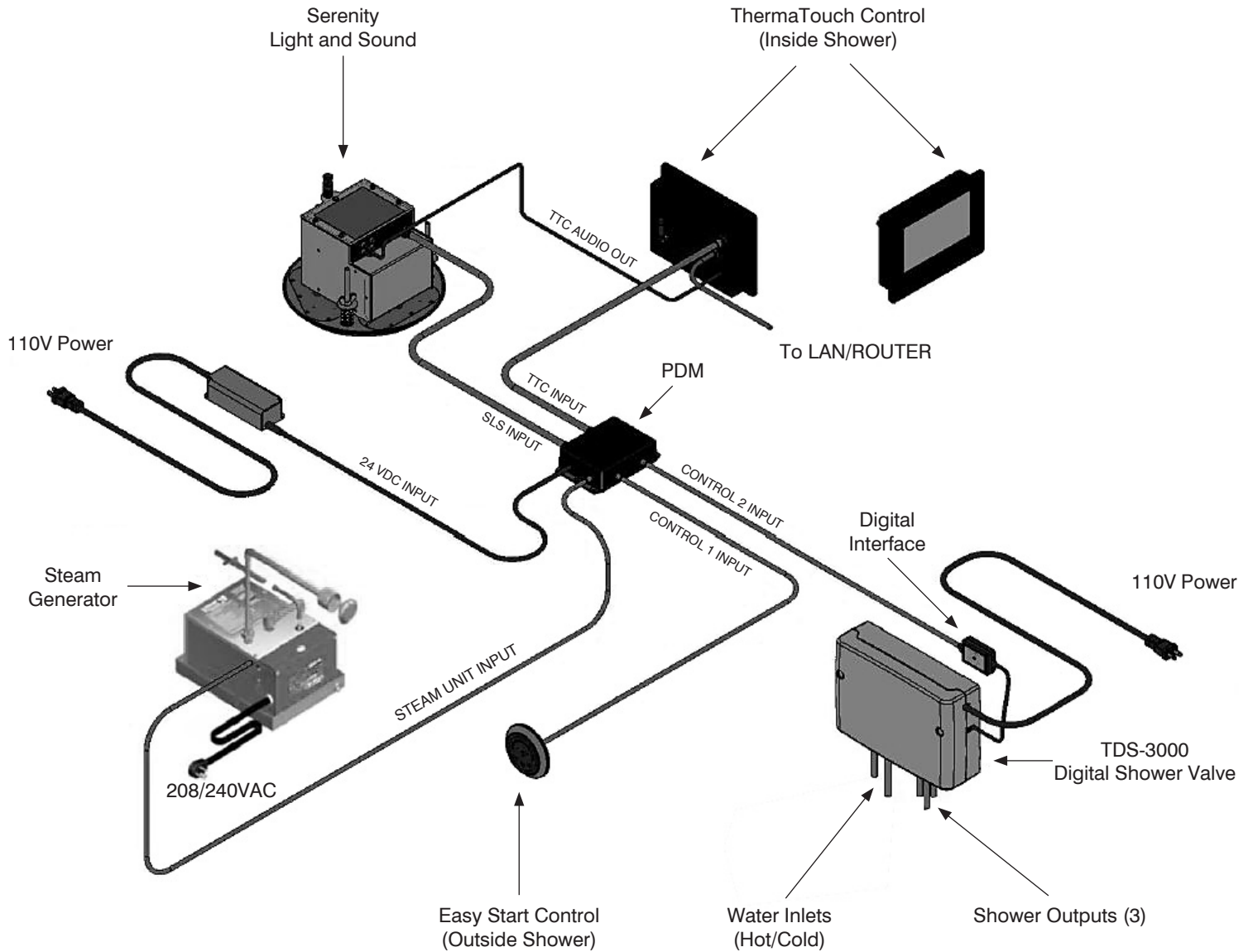


Back up battery

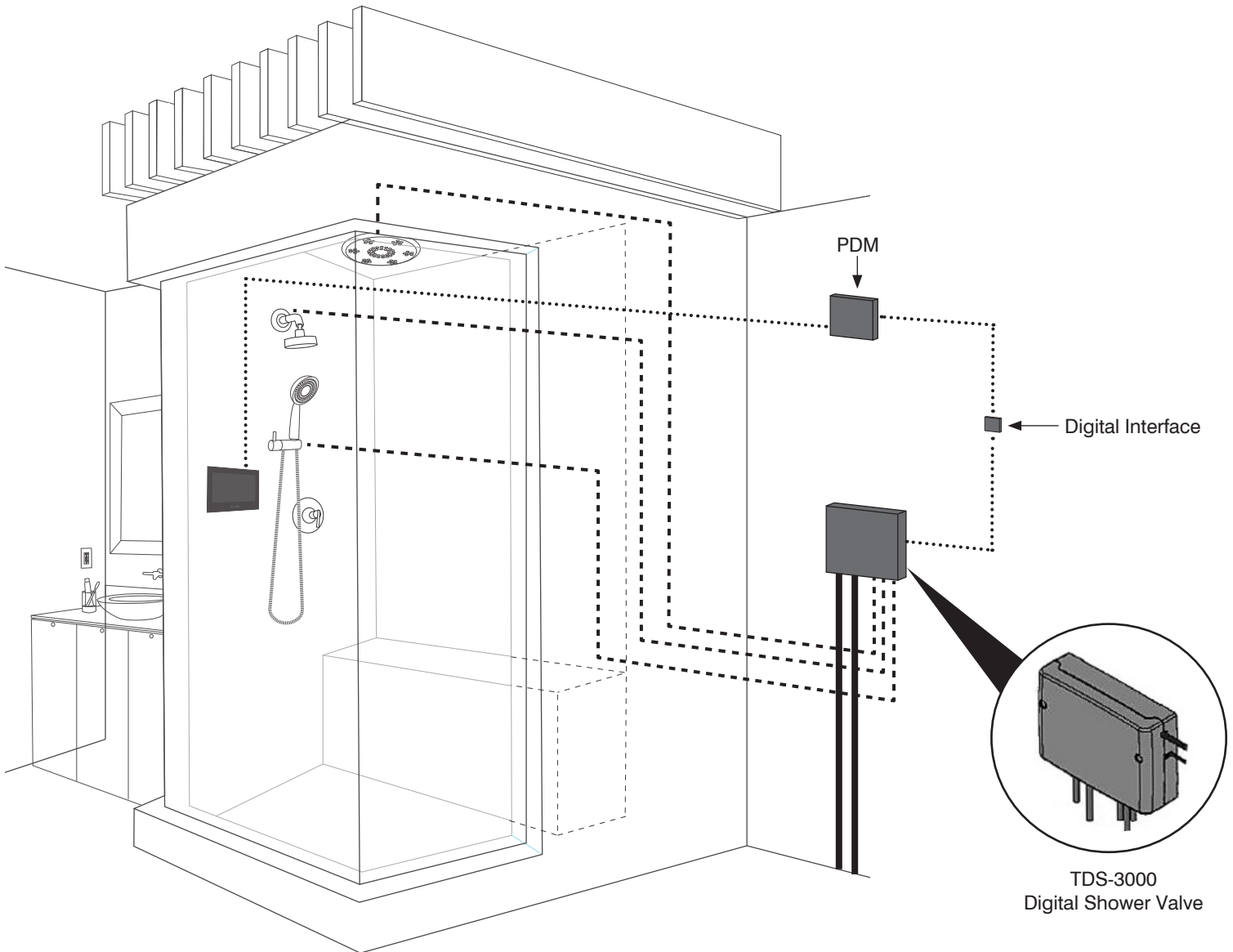
Tools needed:

- o Pencil
- o Drill bit 8 mm
- o Phillips head screwdriver
- o Adjustable wrench
- o Drill
- o Level

3 Typical System Layout

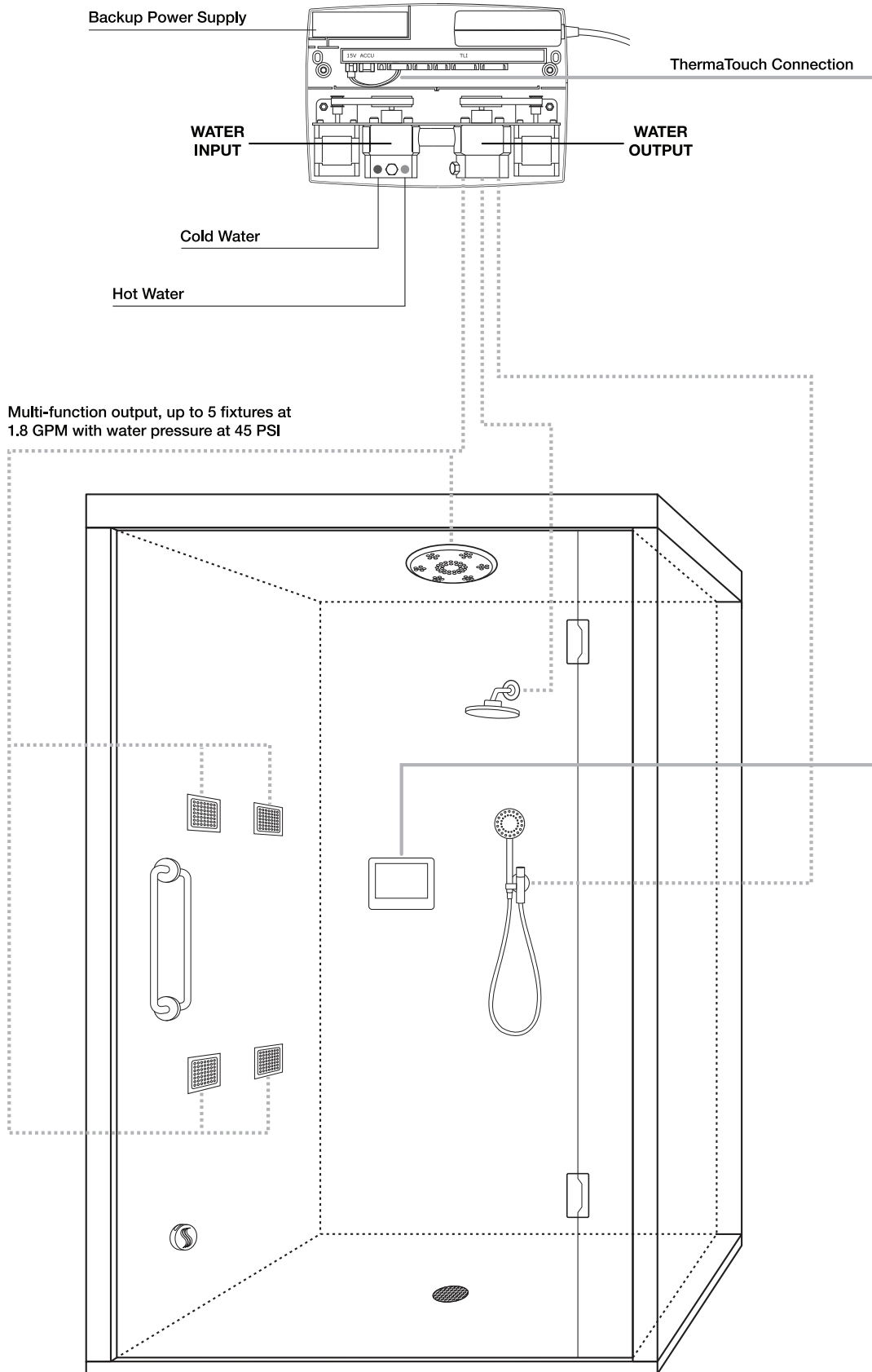


4 Scope of Application

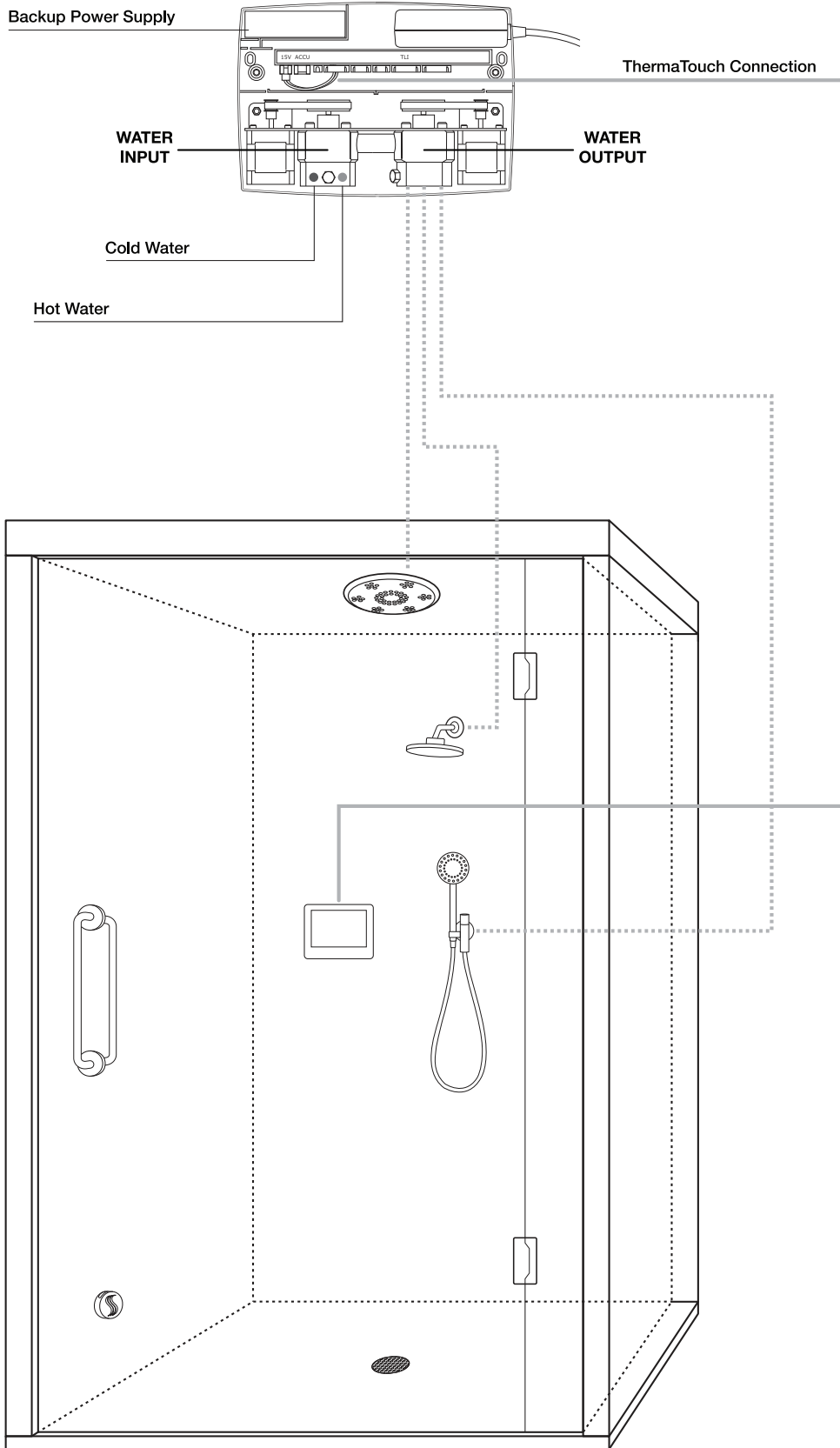


IMPORTANT: The Digital Shower Valve must be accessible and should not be sealed in the wall

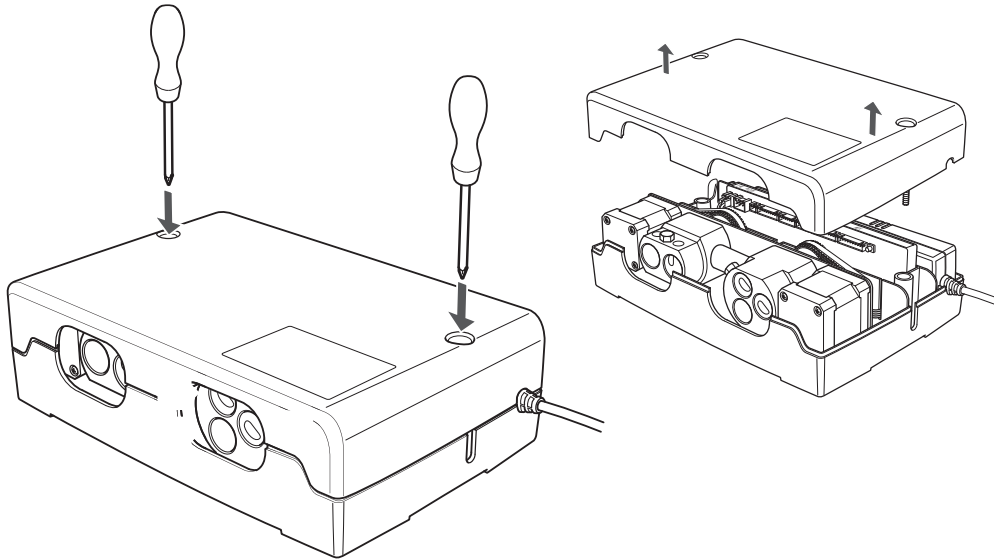
DIGITAL SHOWER VALVE
Multiple components from one port location



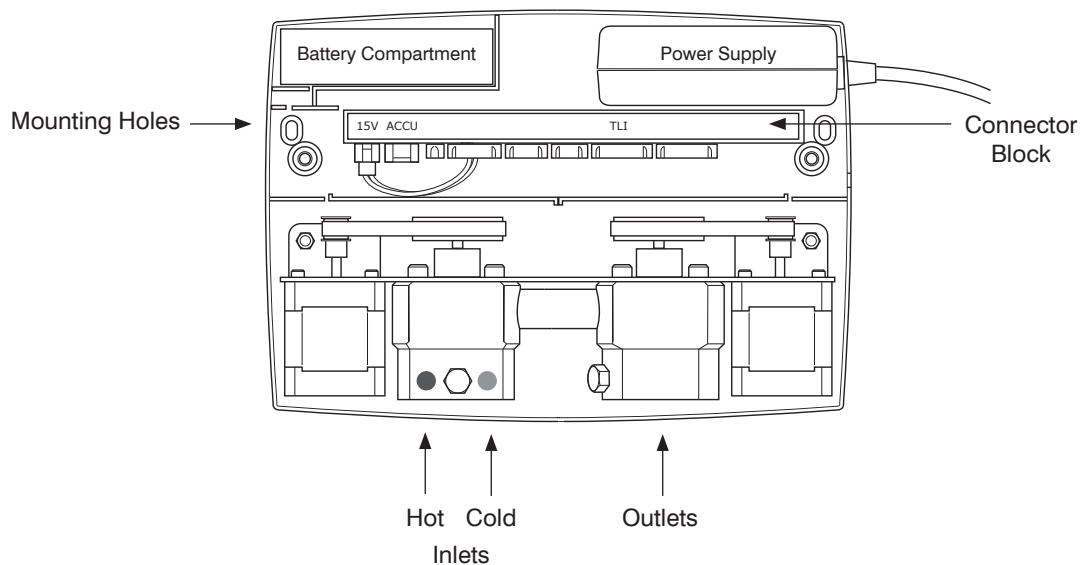
DIGITAL SHOWER VALVE
Multiple components from one port location



5 Remove Cover



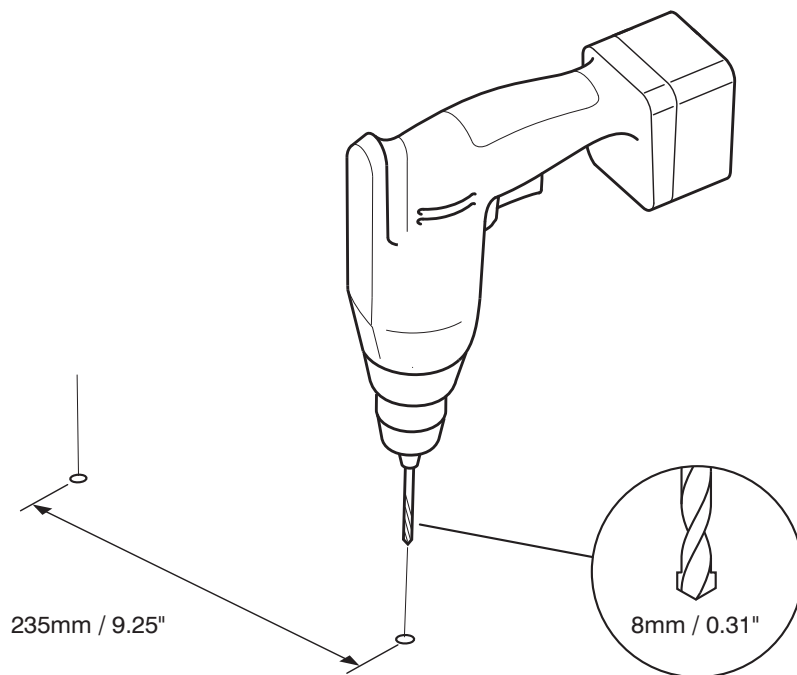
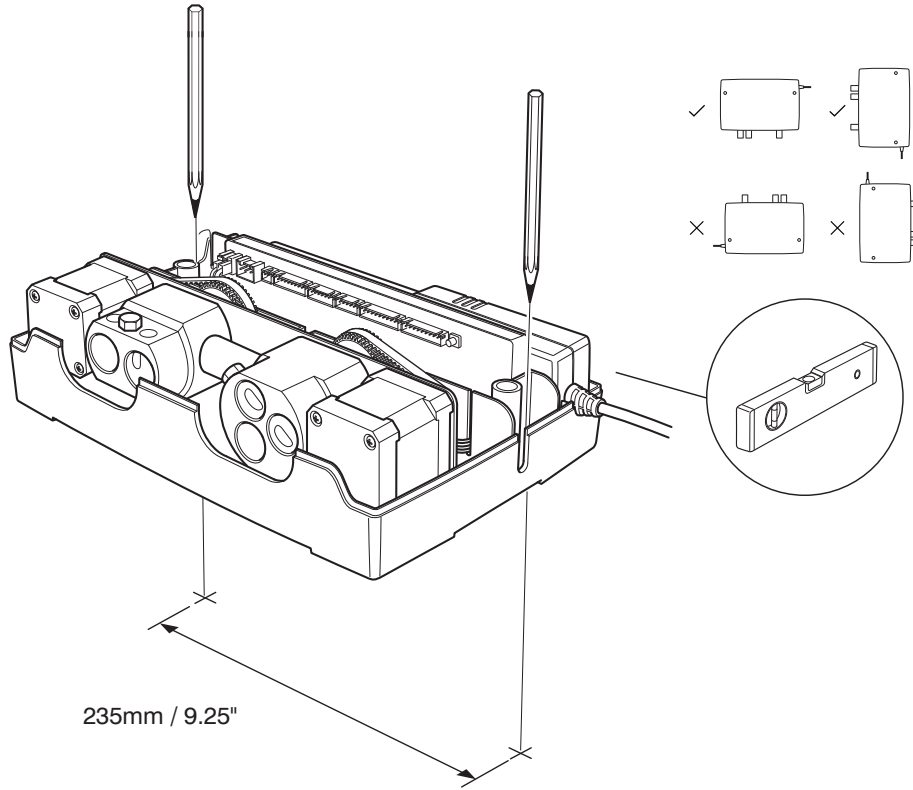
6 Inside Valve System Controller



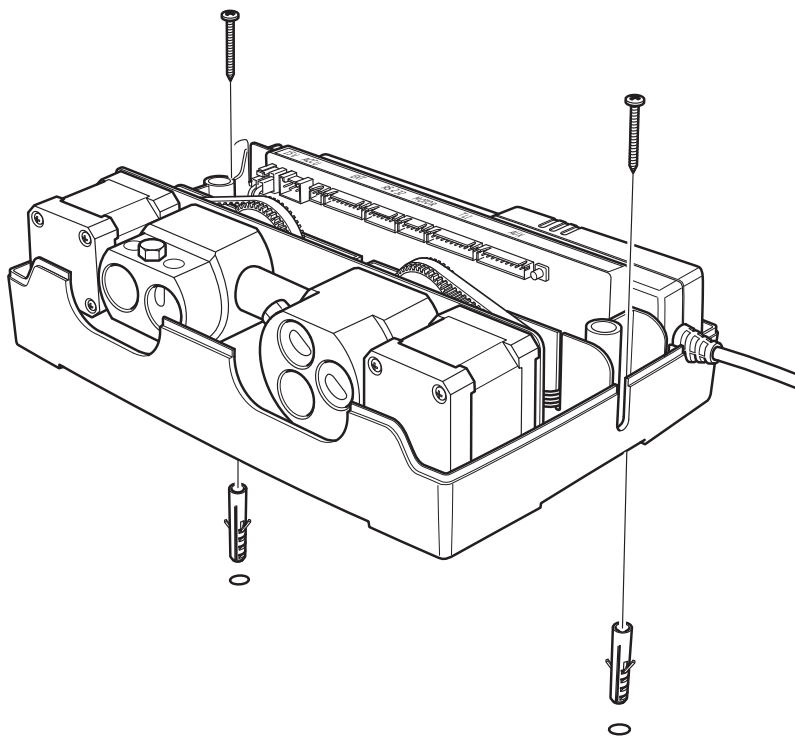
7 Mark and Drill Holes



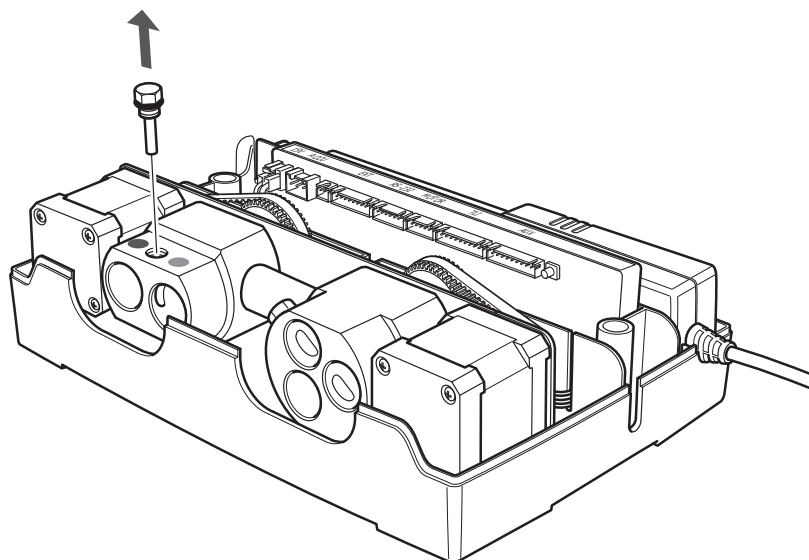
IMPORTANT: The Digital Shower Valve must be installed within 50' of the PDM module.



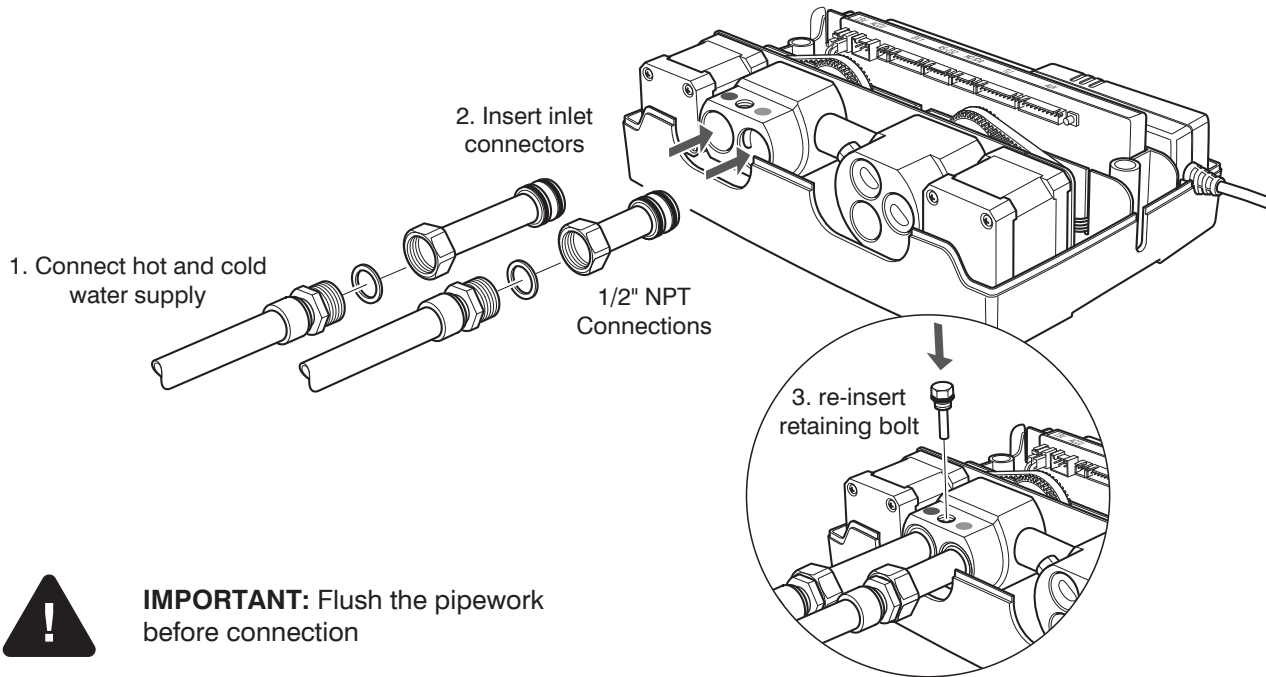
8 Install Valve System Controller



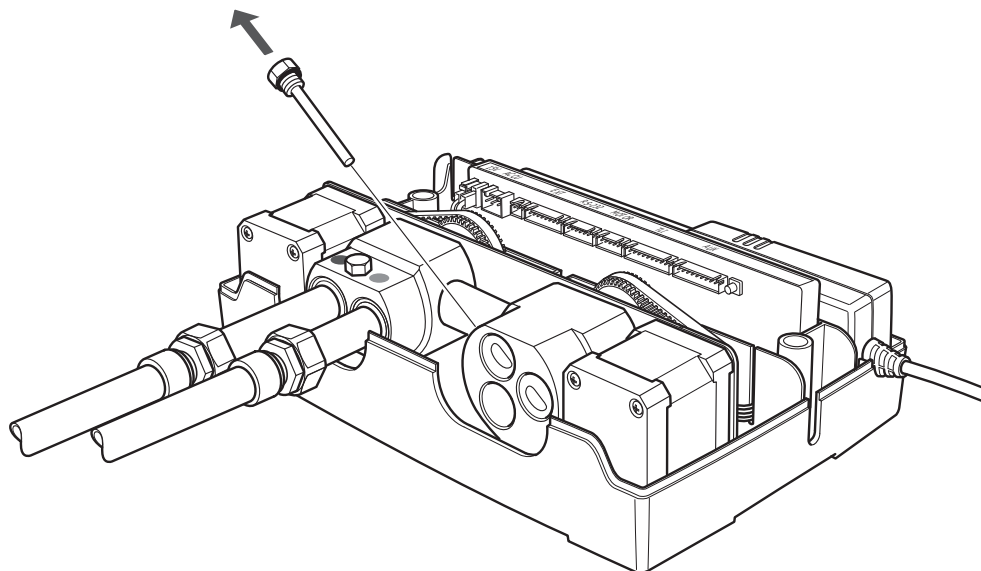
9 Remove Inlet Retaining Bolt



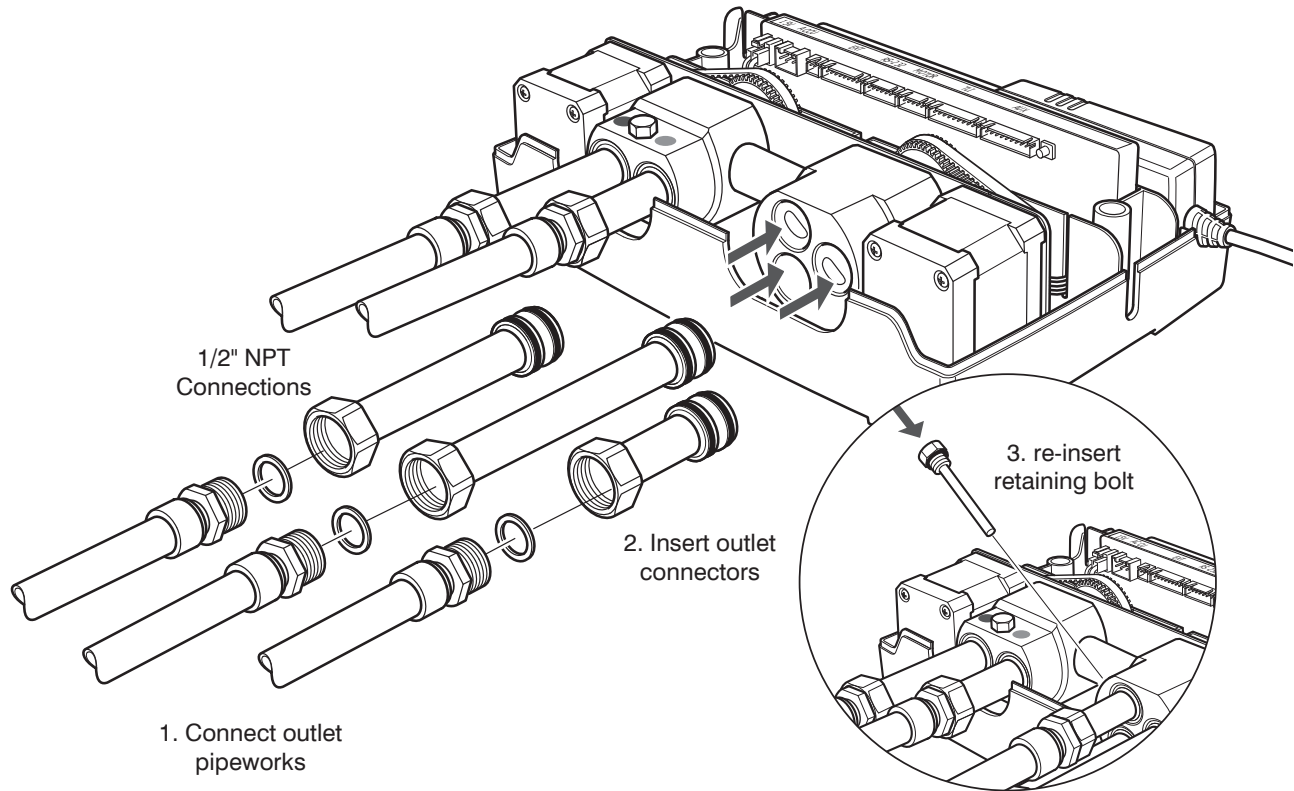
10 Connect Hot and Cold Water Supply



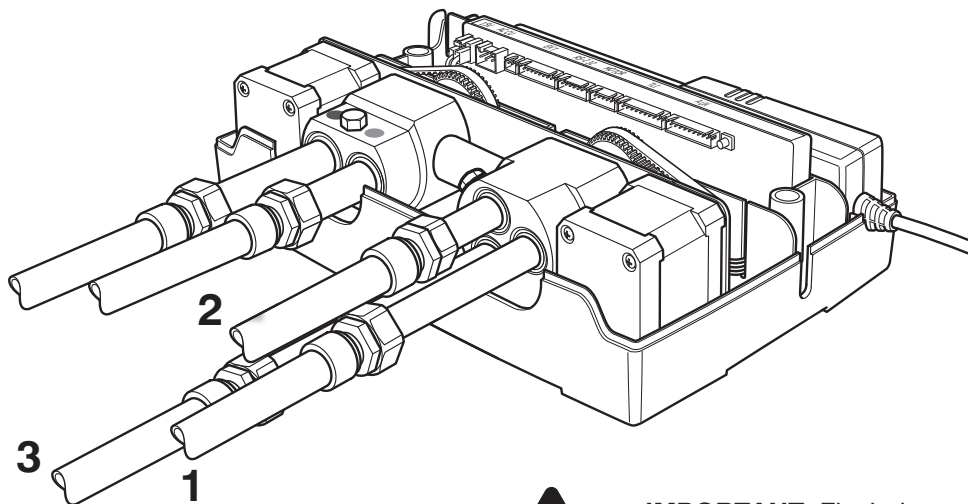
11 Remove Outlet Retaining Bolt



12 Connect Outlet Pipeworks

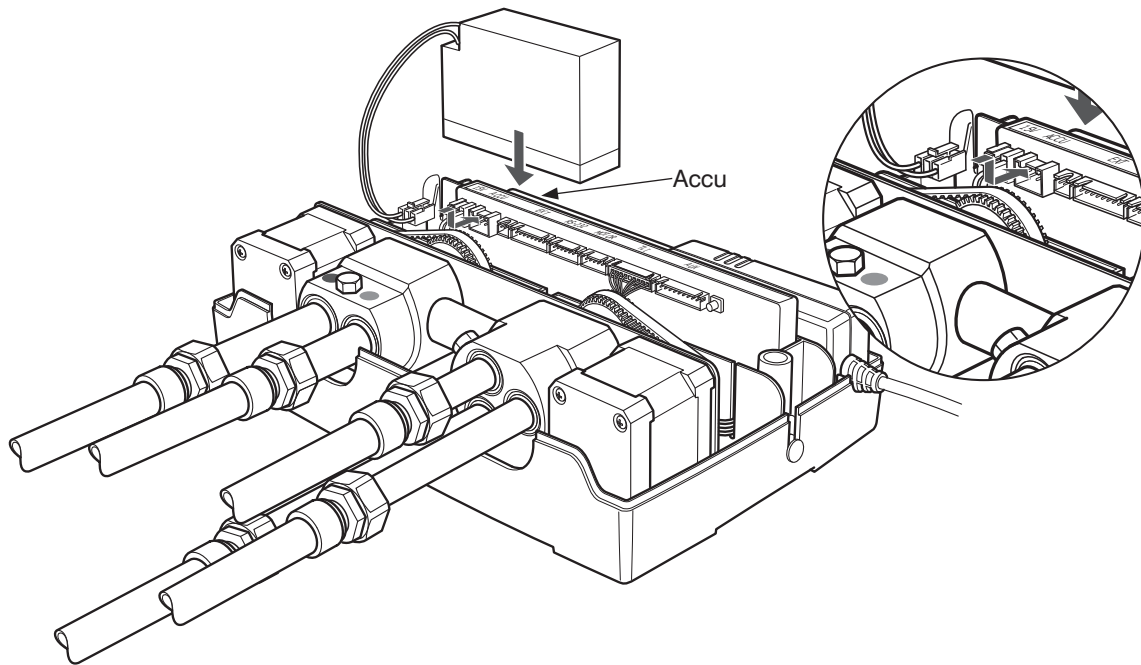


- 1
- 2
- 3

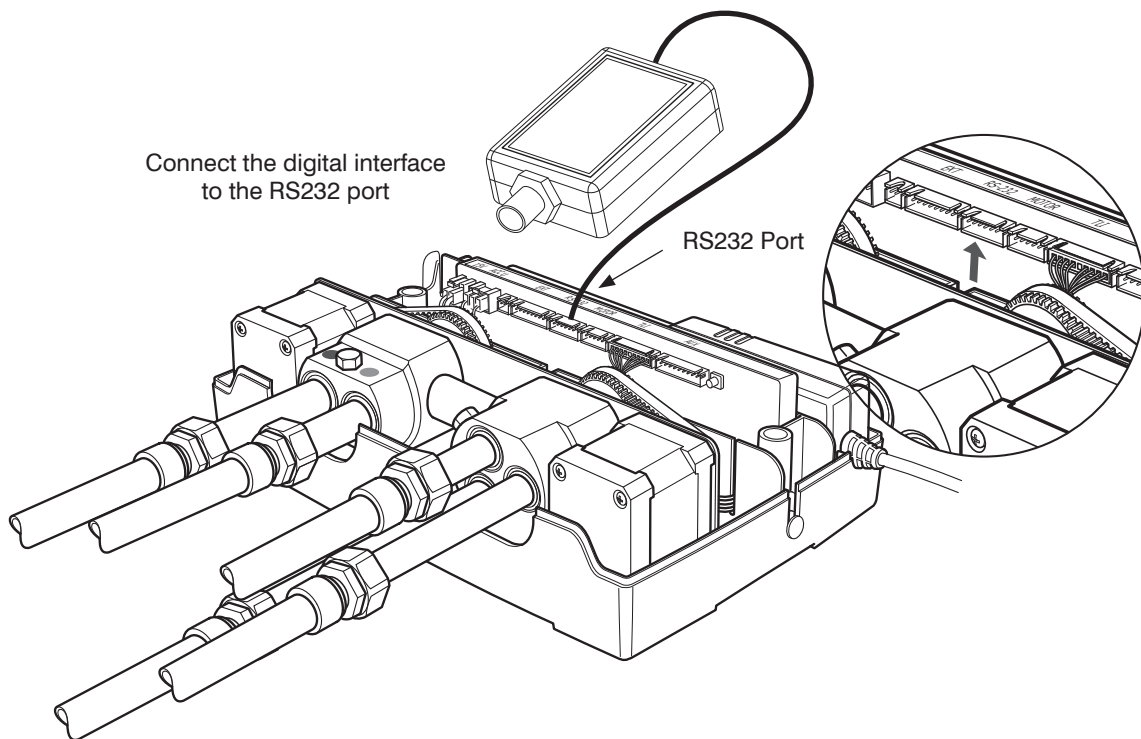


IMPORTANT: Flush the waterlines prior to connecting to clear any debris.

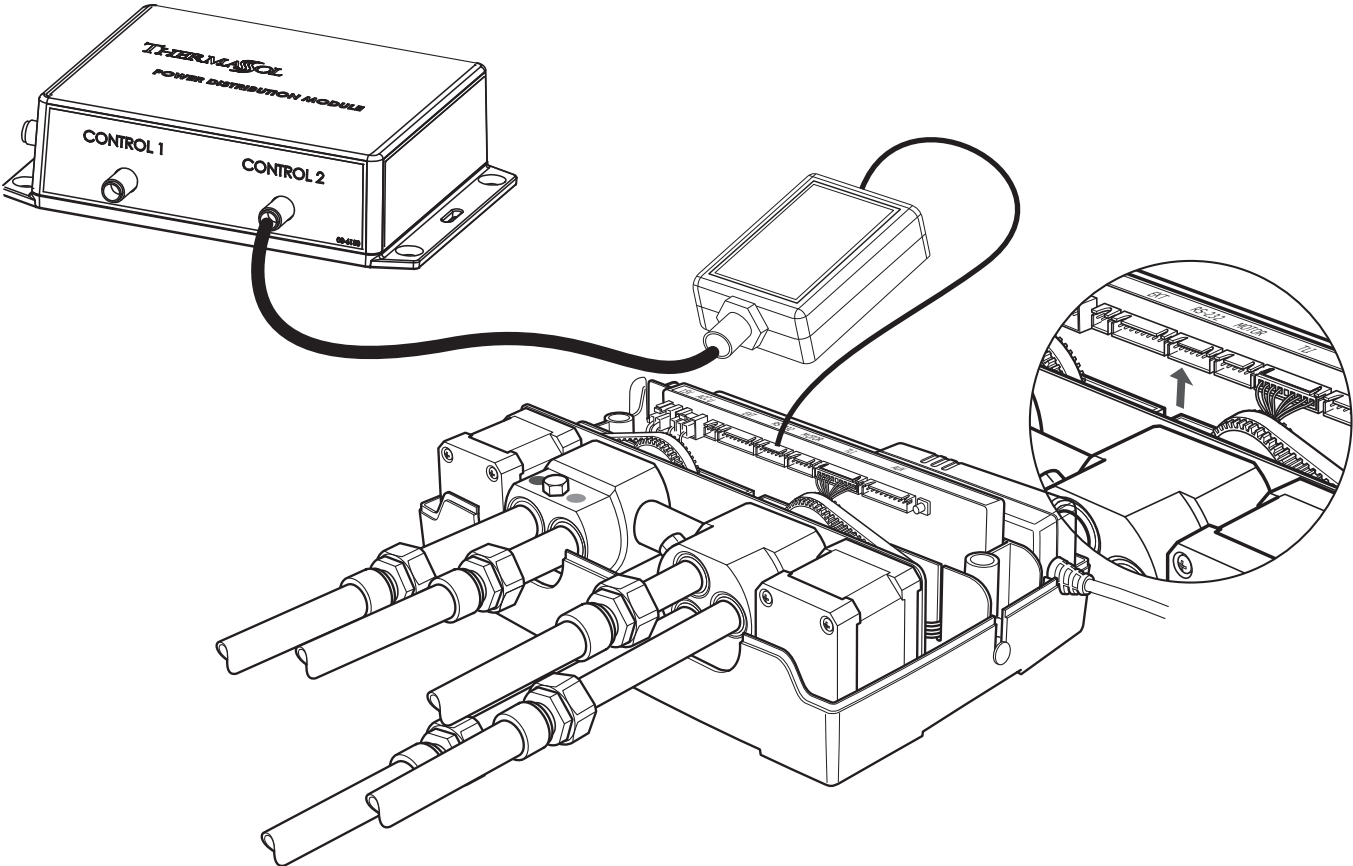
13 Connect Back Up Battery



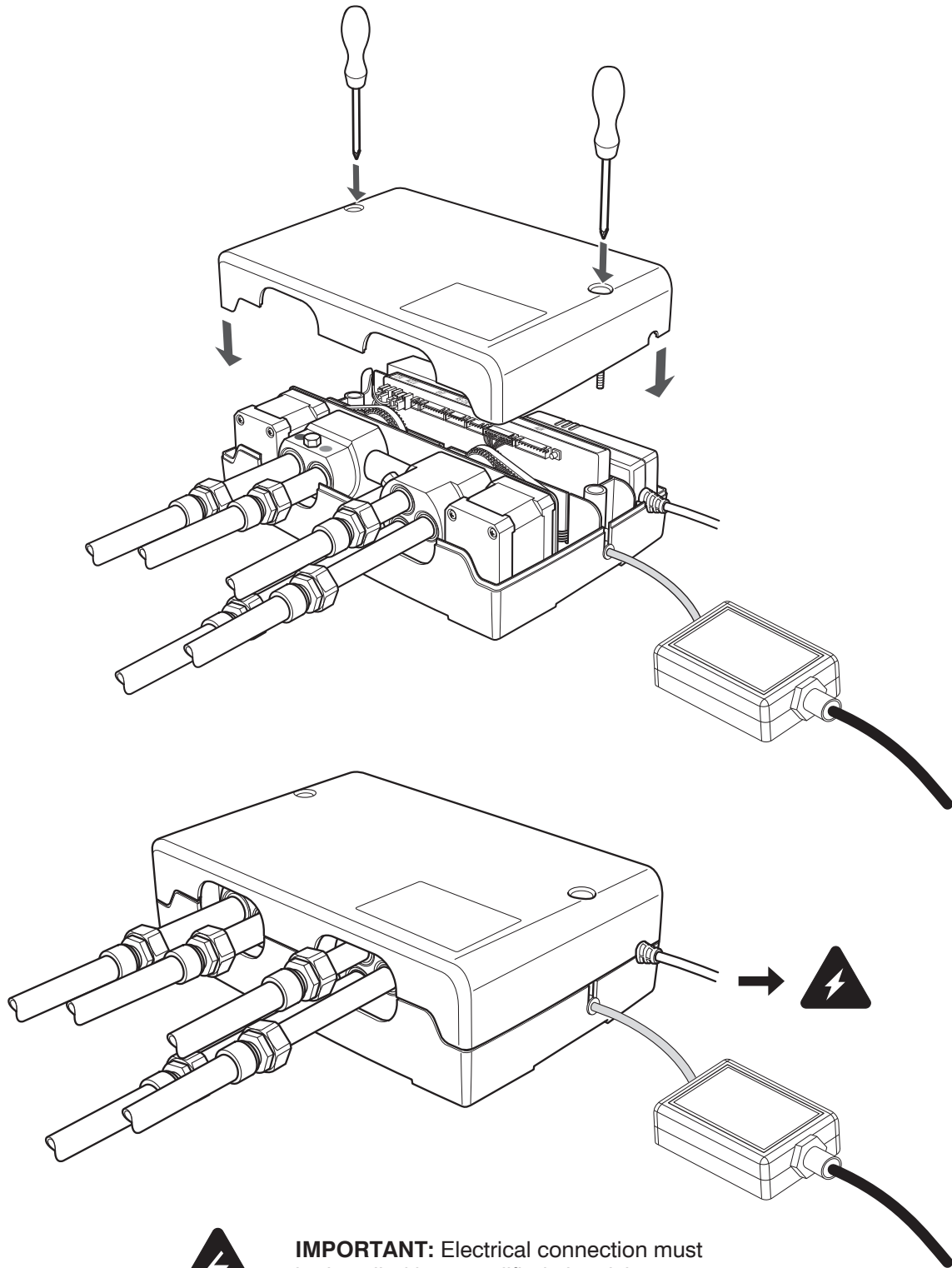
14 Connect The Digital Interface



15 Connect The PDM



16 Re-fit Cover and Connect



IMPORTANT: Electrical connection must be installed by a qualified electrician.

ThermaSol Product Registration

Dear ThermaSol End User:

Please register your product at www.thermasol.com/warranty so we can assist you much quicker if you ever need to contact our Technical Support Department.

In addition we'll keep you informed about your product and time to time we'll update you about new products and other company announcements.

Thank you from all of us at ThermaSol and we wish you many relaxing and steamy days ahead.

We will not sell, rent or share your personal information.



1958 Steam Way
Round Rock, TX 78665

Product Warranty

This warranty shall extend only to the original retail purchaser or end user of the product and are contingent on the proper use of the product in accordance with the instructions and specifications published by ThermaSol and shall not apply to any product that has been repaired or modified by persons other than approved by ThermaSol. Proof of purchase from Authorized Reseller will be required to start any warranty process except where prohibited by law. These warranties are not valid for any product that is sold with defaced or altered serial number, or for any product that was purchased used, refurbished, "as is", or in unknown condition.

All warranty claims must go through ThermaSol directly.

Limited Warranty

ThermaSol extends to the original purchaser a 1-year limited warranty to repair or replace (at its discretion) Digital Shower Valve parts found to have manufacturing defects.

Exclusions

These warranties will be terminated by ThermaSol for the following reasons:

1. Improper installation, such as installation that fails to observe National/Local Plumbing and/or Electrical codes.
2. Use of the system in a non-residential or commercial application, including a hotel.
3. Service to equipment by unauthorized personnel.
4. Installation that does not permit proper access for service.
5. Non-payment of repairs not covered under warranty.
6. Modification to any part of the unit.
7. Use of non-ThermaSol repair parts.
8. Alteration or removal of product serial number.

Limitations

These warranties will be terminated by ThermaSol for the following reasons:

1. ThermaSol will not be liable in any way for any indirect, special, incidental, exemplary, or consequential damages resulting from the sale, delivery, installation or use of its products. Users are responsible for suitability of the products for their application. Damage resulting from improper specification or application or other operating conditions beyond ThermaSol's control is not under warranty.
2. ThermaSol will not exercise reasonable efforts in rendering service under these warranties, but shall not be liable for any damage arising out of delays; these warranties only cover the repair and/or replacement of ThermaSol product as specified by the warranty.
3. ThermaSol does not guarantee that a local service person will be available for in-home services. Unit may have to be removed and reinstalled at owner's expense. It is the responsibility of the buyer to file a claim with the carrier/carriers for any product that has shipping damage to or from ThermaSol. An EVA (Evaluation Number) must be obtained from the factory and used on any correspondence or packages sent to the factory.
4. THESE WARRANTIES ARE NON-TRANSFERABLE TO ANY OTHER PURCHASER OR PARTY OTHER THAN THE ORIGINAL PURCHASER FROM AN AUTHORIZED DEALER. THESE WARRANTIES ARE NOT VALID FOR ANY PRODUCTS SOLD USED, REFURBISHED, "AS IS", OR IN UNKNOWN CONDITION. NO OTHER AGENT OR PARTY CAN GIVE ANY OTHER WARRANTY OR PROMISE. THESE ARE THE SOLE WARRANTIES FOR YOUR THERMASOL PRODUCT, EXCEPT AS PROVIDED BY LAW.

These warranties give you specific legal rights and you may also have other rights, which may vary, from state to state. Determination of rights under these warranties is in accordance with the laws of Texas. Any dispute under these warranties must be submitted and resolved by arbitration in Texas.

THERMASOL®

Steam & Showering Systems



1958 STEAM WAY ROUND ROCK, TX 78665
PHONE: 800.776.0711 | FAX: 800.556.5257 | WWW.THERMASOL.COM

81247_A