

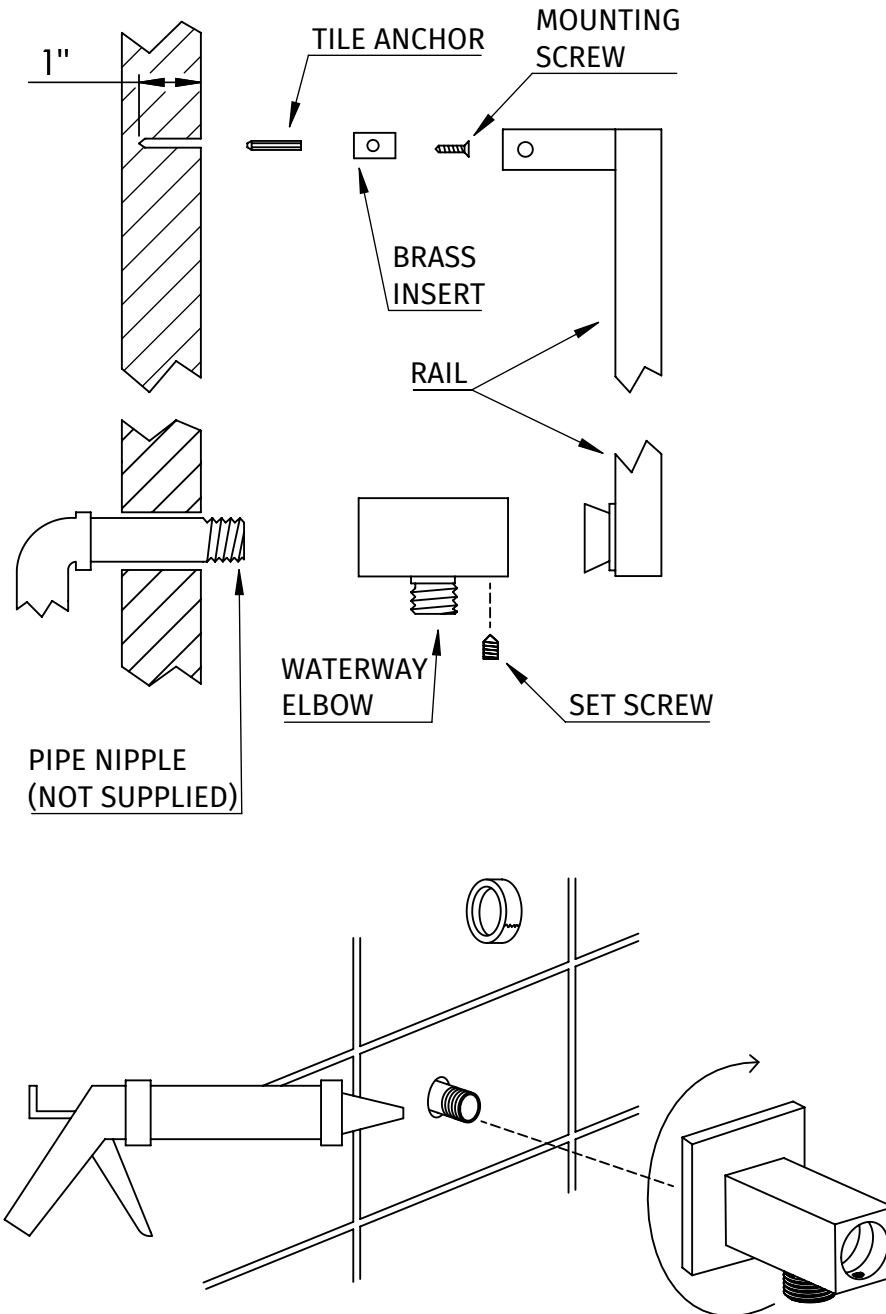
15-1006-xxx

WALL MOUNTED BRASS SHOWER RAIL WITH BOTTOM OUTLET INTEGRAL WATERWAY - SQUARE

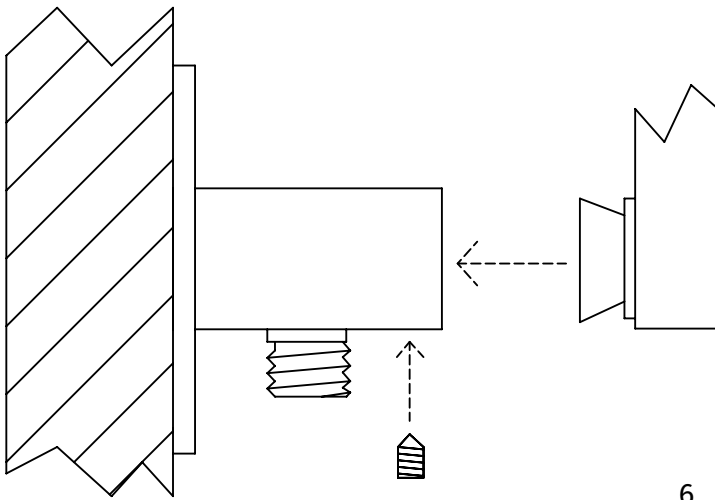
INSTALLATION INSTRUCTIONS

TOOLS REQUIRED:

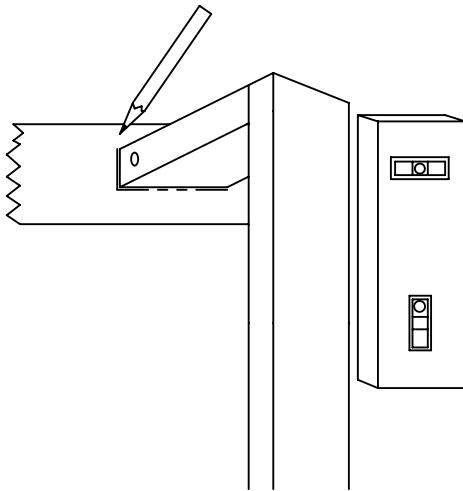
- DRILL
- 1/4" MASONRY OR DIAMOND TIPPED DRILL BIT
- PHILLIPS HEAD SCREWDRIVER
- BUBBLE LEVEL
- MASKING TAPE
- THREAD SEALANT TAPE
- CAULK OR SILICONE SEALANT
- PENCIL



1. USE THE INCLUDED ALLEN KEY TO REMOVE THE WATERWAY ELBOW FROM THE BOTTOM OF THE RAIL AND THE BRASS INSERT FROM THE TOP.
2. WRAP THE THREADS OF THE PIPE NIPPLE WITH THREAD SEALANT TAPE. THREAD THE PIPE NIPPLE INTO THE SUPPLY PIPE.
3. SEAL THE GAP AROUND THE PIPE NIPPLE WITH SILICONE CAULK. **FAILURE TO SEAL THIS HOLE MAY RESULT IN LEAKS AND WATER DAMAGE.**
4. SLIDE THE ESCUTCHEON OVER THE WATERWAY ELBOW.
5. THREAD THE WATERWAY ELBOW ON TO THE PIPE NIPPLE AND TIGHTEN. MAKE SURE THAT THE OUTLET OF THE WATERWAY ELBOW ENDS UP POINTING DOWNWARD.



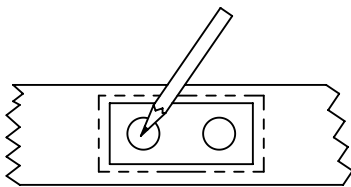
6. SLIDE THE ROUND ANCHOR MOUNTED ON THE RAIL INTO THE HOLE IN THE FRONT OF THE WATERWAY ELBOW. INSERT THE SET SCREW.



7. POSITION THE RAIL UPRIGHT AND USE A LEVEL TO ENSURE THAT IT IS VERTICAL. TIGHTEN THE SET SCREW TO SECURE THE RAIL TO THE WATERWAY ELBOW.

8. PUT MASKING TAPE ON THE WALL WHERE THE TOP OF THE RAIL WILL ATTACH.

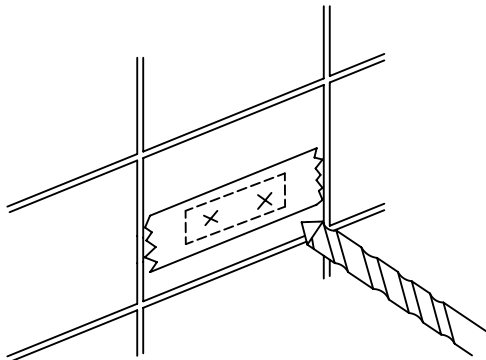
9. CHECK THAT THE RAIL IS VERTICAL AND TRACE THE OUTLINE OF THE RAIL INTO THE TAPE. REMOVE THE SET SCREW AND SET THE RAIL DOWN.

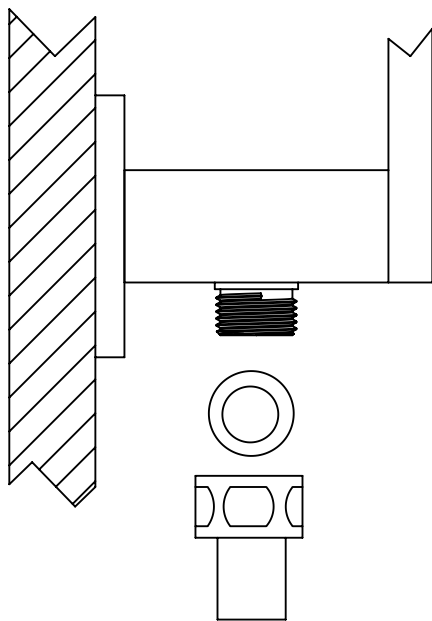
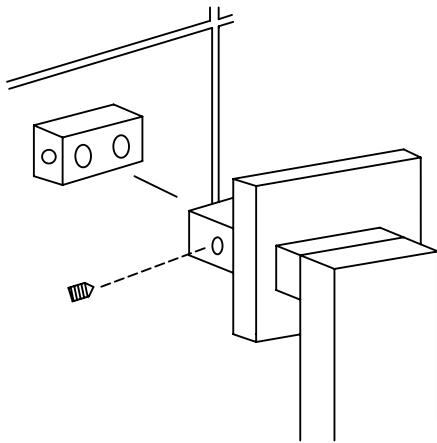
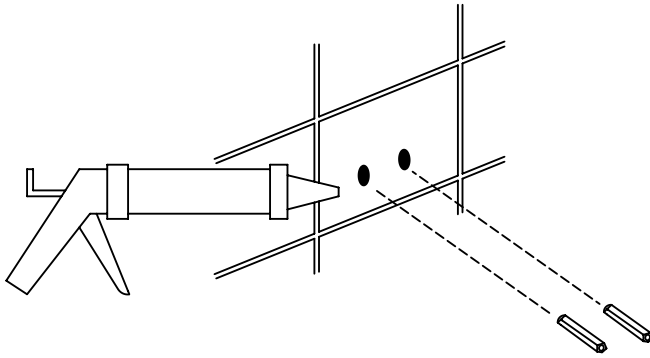


10. PLACE THE RECTANGULAR BRASS INSERT AGAINST THE WALL, IN THE CENTER OF THE OUTLINE FROM THE PREVIOUS STEP.

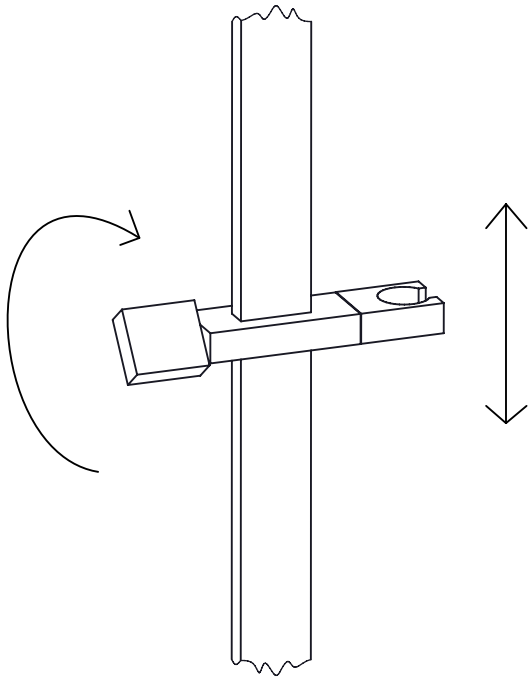
11. MARK THE CENTER OF THE HOLES.

12. USING A 1/4" MASONRY OR DIAMOND TIPPED DRILL BIT, DRILL TWO HOLES, 1" DEEP ON THE POINTS MARKED IN THE PREVIOUS STEP. USE MEDIUM SPEED AND STEADY PRESSURE. BE CAREFUL NOT TO DRILL INTO EXISTING PIPES.

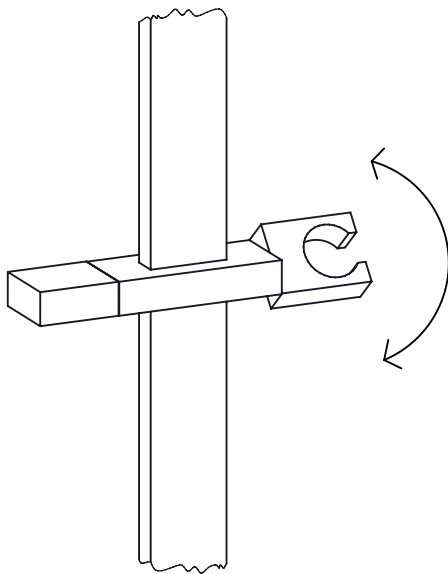




13. REMOVE THE TAPE. FILL THE HOLES WITH SILICONE SEALANT. **FAILURE TO SEAL THE HOLES MAY RESULT IN WATER LEAKS.**
14. INSERT THE INCLUDED TILE ANCHORS INTO THE HOLES. TAP INTO PLACE CAREFULLY UNTIL FLUSH WITH THE WALL.
15. MOUNT THE BRASS INSERT ON THE WALL USING THE INCLUDED SCREWS. NOTE THE SMALL DIMPLE ON ONE SIDE. THIS DIMPLE WILL LINE UP WITH THE SET SCREW TO HOLD THE RAIL. ORIENT THE BRASS INSERT ACCORDINGLY.
16. SLIDE THE ESCUTCHEON ON TO THE RAIL.
17. SLIDE THE RAIL ON TO THE BRASS INSERT AND TIGHTEN THE SET SCREW. SLIDE THE ESCUTCHEONS SO THAT THEY ARE FLUSH WITH THE WALL.
18. ATTACH THE HAND SHOWER HOSE TO THE WATERWAY ELBOW. USE THE RUBBER SEALING WASHER IN THE HOSE.



TWIST HANDLE TO ADJUST HEIGHT OF
HAND SHOWER CRADLE.



HAND SHOWER CRADLE SWIVELS
FOR CONVENIENCE.

FINISH CARE & MAINTENANCE

NEVER USE ANY HARSH ALKALI, ACID BASED DETERGENTS OR CLEANERS SUCH AS SOFT SCRUB®, SCRUBBING BUBBLES® OR COMET® TO CLEAN. DO NOT USE BRILLO® OR SCOTCH BRITE® PADS. THESE WILL ALL HARM THE FINISH. TO CLEAN, USE ONLY A DAMP SOFT CLOTH AND WIPE GENTLY. STANDARD WINDEX® CAN ALSO BE USED SPARINGLY. IT IS NOT NECESSARY TO WIPE HARD TO REMOVE SPOTS. TO MAINTAIN THE FINISH, WIPE WITH A SOFT DRY CLOTH AFTER USE. AN OCCASIONAL COAT OF PURE CARNAUBA WAX WITHOUT CLEANERS WILL HELP PROTECT THE FINISH.

SPECIFICATION SHEET

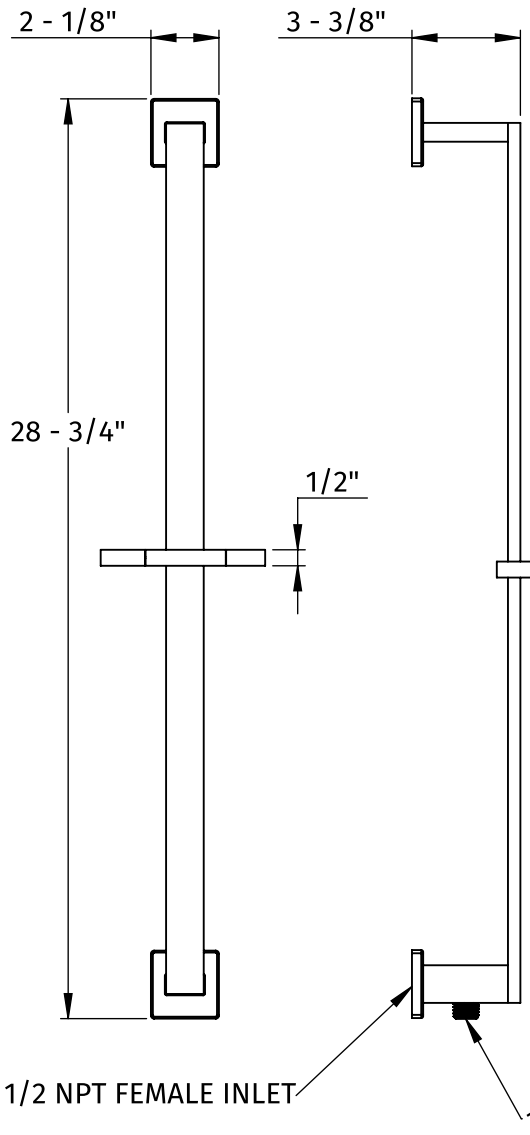
15-1006-XXX

Square shower rail W/ bottom outlet and itegral waterway

THERMASOL®

Steam & Showering Systems

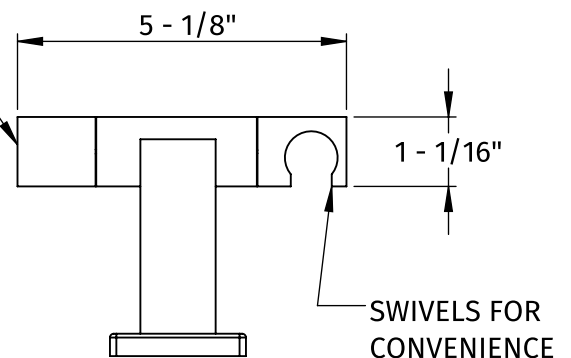
- Stainless steel construction
- Slim profile
- Integral water outlet eliminates the need for a separate waterway elbow
- Height adjustable swiveling cradle for hand shower
- Mounting hardware included



AVAILABLE FINISHES:

ORB: Oil Rubbed Bronze, PC: Polished Chrome,
PN: Polished Nickel, SN: Satin Nickel, MB: Matte Black

TWIST TO ADJUST
HEIGHT OF HAND
SHOWER CRADLE



FINISH CARE & MAINTENANCE

Never use any harsh alkali, acid based detergents or cleaners such as soft scrub®, scrubbing bubbles® or comet® to clean. Do not use brillo® and scotch brite® pads. These will all harm the finish. To clean, use only a damp soft cloth and wipe using a soft cloth. Standard windex® can also be used sparingly. It is not necessary to wipe hard to remove spots. To maintain the finish, wipe with a soft dry cloth after use. An occasional coat of pure carnauba wax without cleaners will help protect the finish.

SPECIFICATION SHEET

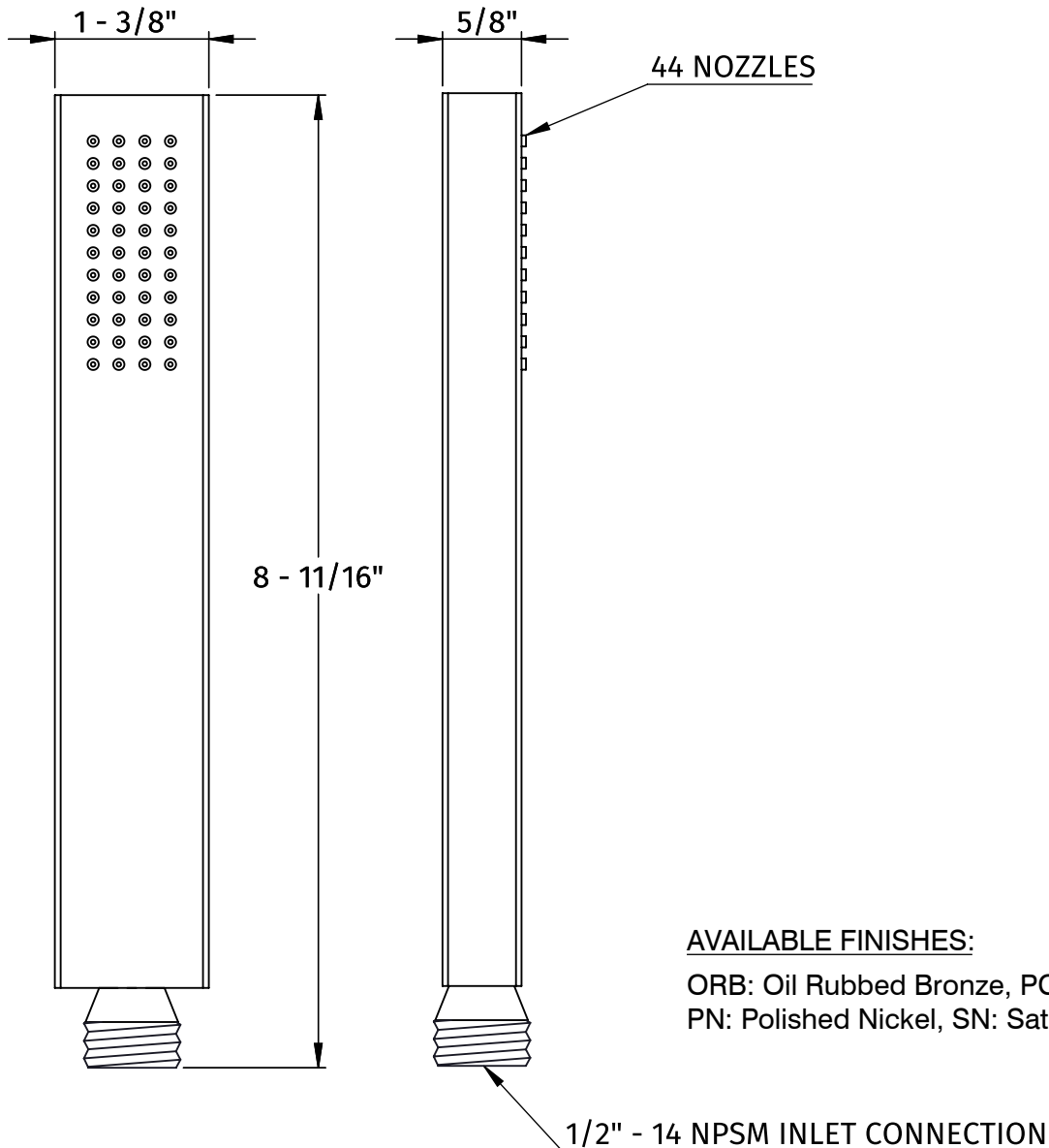
15-1005-XXX

Square hand
shower wand

THERMASOL®

Steam & Showering Systems

- Solid brass construction
- Single function hand shower
- Includes 1.6 GPM flow
- Double walled construction to prevent scalding



AVAILABLE FINISHES:

ORB: Oil Rubbed Bronze, PC: Polished Chrome,
PN: Polished Nickel, SN: Satin Nickel, MB: Matte Black

FINISH CARE & MAINTENANCE

Never use any harsh alkali, acid based detergents or cleaners such as soft scrub®, scrubbing bubbles® or comet® to clean. Do not use brillo® and scotch brite® pads. These will all harm the finish. To clean, use only a damp soft cloth and wipe using a soft cloth. Standard windex® can also be used sparingly. It is not necessary to wipe hard to remove spots. To maintain the finish, wipe with a soft dry cloth after use. An occasional coat of pure carnauba wax without cleaners will help protect the finish.

SPECIFICATION SHEET

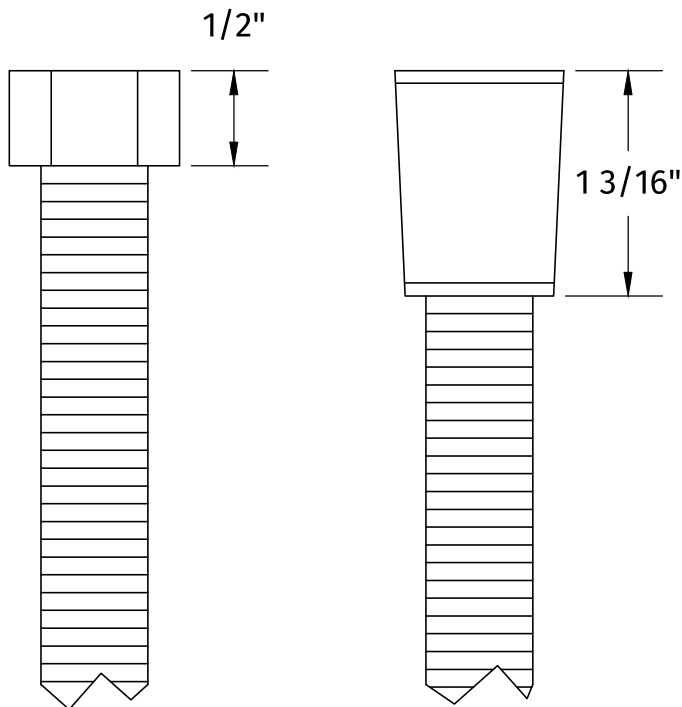
15-1003-XXX

Stainless steel
handshower hose

THERMASOL®

Steam & Showering Systems

- Stainless steel hose
- Solid brass 1/2" female IPS connectors
- Five foot in length
- Includes washers for sealing connections



AVAILABLE FINISHES:

ORB: Oil Rubbed Bronze, PC: Polished Chrome,
PN: Polished Nickel, SN: Satin Nickel, MB: Matte Black

FINISH CARE & MAINTENANCE

Never use any harsh alkali, acid based detergents or cleaners such as soft scrub®, scrubbing bubbles® or comet® to clean. Do not use brillo® and scotch brite® pads. These will all harm the finish. To clean, use only a damp soft cloth and wipe using a soft cloth. Standard windex® can also be used sparingly. It is not necessary to wipe hard to remove spots. To maintain the finish, wipe with a soft dry cloth after use. An occasional coat of pure carnauba wax without cleaners will help protect the finish.

SPECIFICATION SHEET

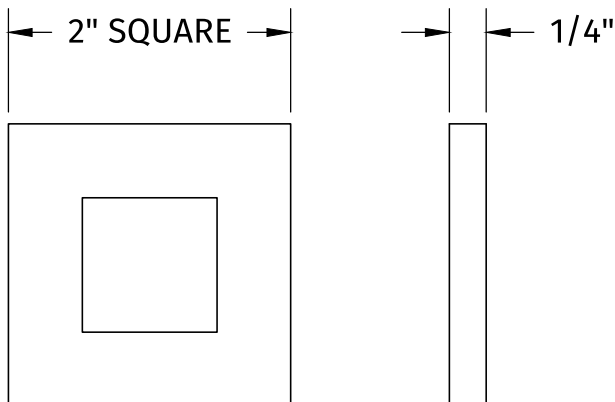
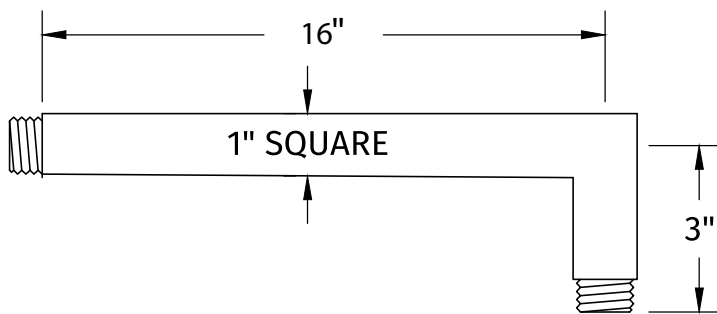
15-1004-XXX

Square 90° bend
wall rain arm

THERMASOL®

Steam & Showering Systems

- Solid brass construction
- Includes decorative brass escutcheon
- 1/2" NPT



AVAILABLE FINISHES:

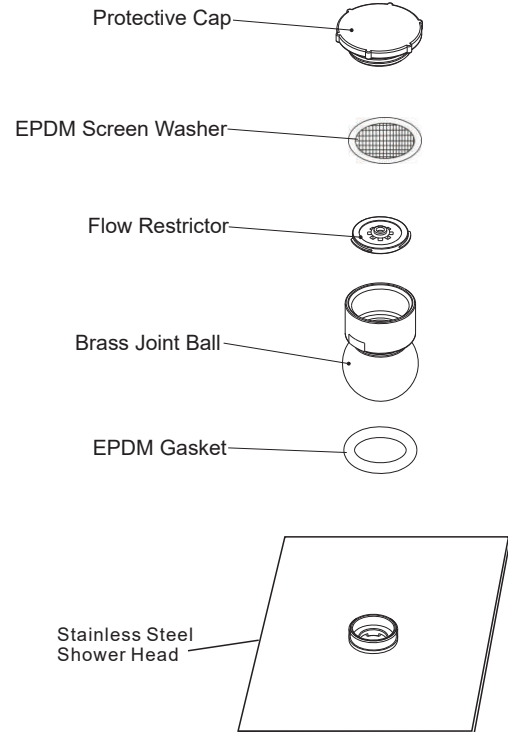
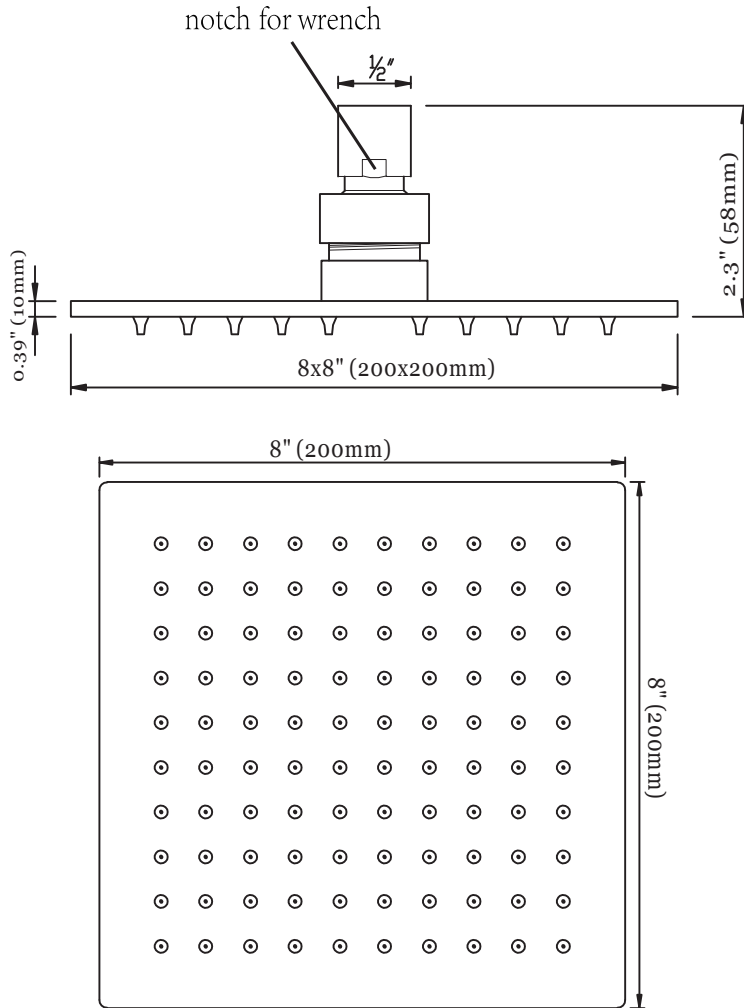
ORB: Oil Rubbed Bronze, PC: Polished Chrome,
PN: Polished Nickel, SN: Satin Nickel, MB: Matte Black

FINISH CARE & MAINTENANCE

Never use any harsh alkali, acid based detergents or cleaners such as soft scrub®, scrubbing bubbles® or comet® to clean. Do not use brillo® and scotch brite® pads. These will all harm the finish. To clean, use only a damp soft cloth and wipe using a soft cloth. Standard windex® can also be used sparingly. It is not necessary to wipe hard to remove spots. To maintain the finish, wipe with a soft dry cloth after use. An occasional coat of pure carnauba wax without cleaners will help protect the finish.

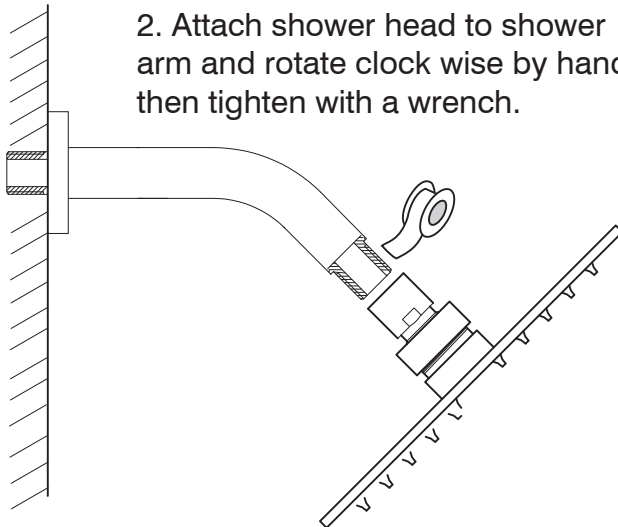
8" Square shower head Installation instruction

Use a licensed plumber for installation



WALL

1. Wrap Teflon tape clockwise
2. Attach shower head to shower arm and rotate clock wise by hand, then tighten with a wrench.



Shower Head Installation Suggestion Only. Teflon Tape and Shower Arm are excluded in Shower Head Packing box.

This shower head is supplied with a blue 1.6 GPM flow restrictor and meets CEC Requirements.

If you are not satisfied with the flow, non-California residents can replace the restrictor with this white 2.5GPM restrictor. Check local water conservation codes before changing the restrictor.

IMPORTANT: Re-insert protective stainless-steel screen on top of restrictor.