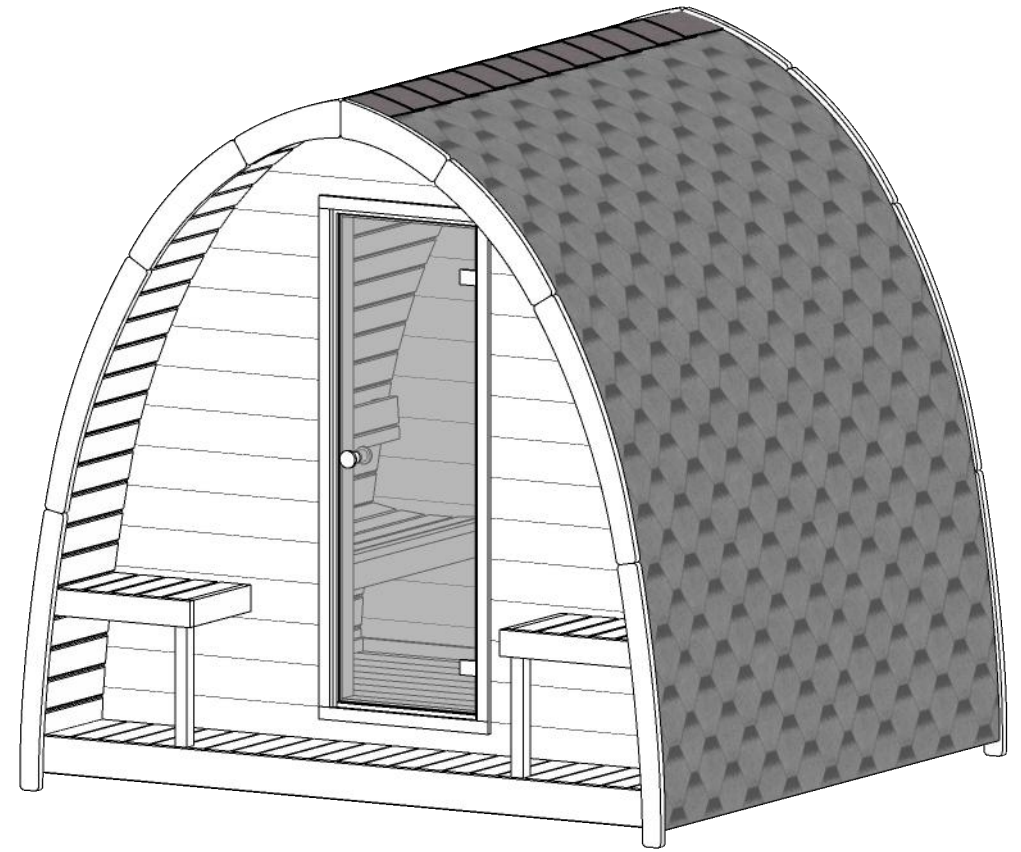
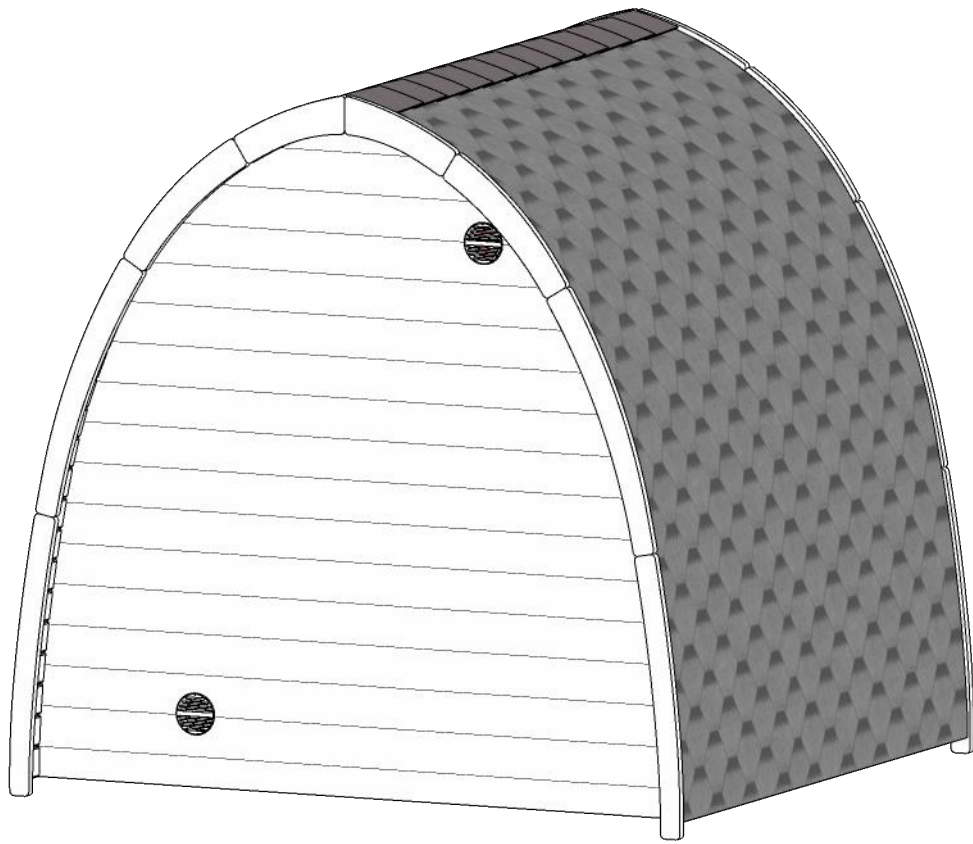


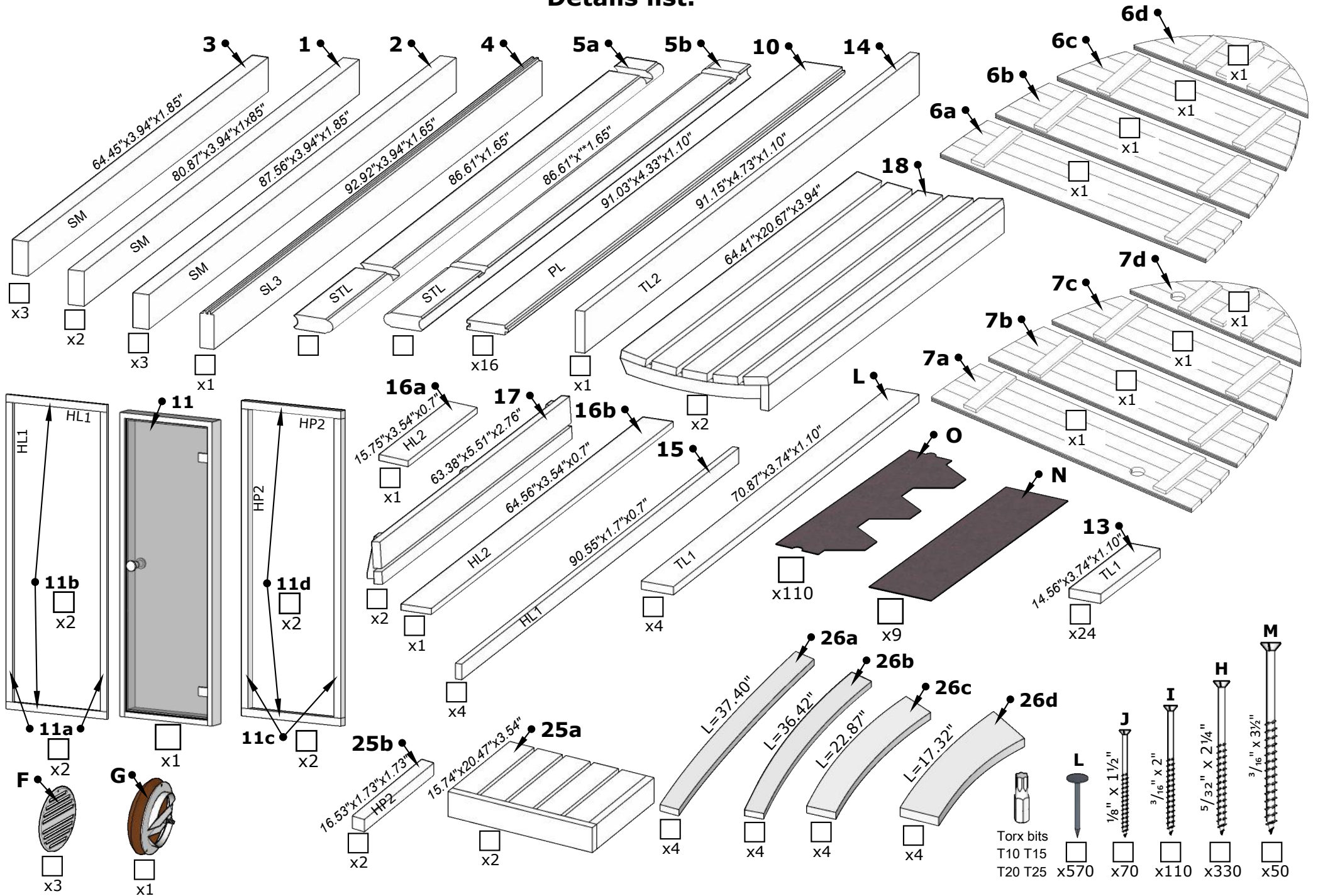


Garden-Series G3 Outdoor Sauna

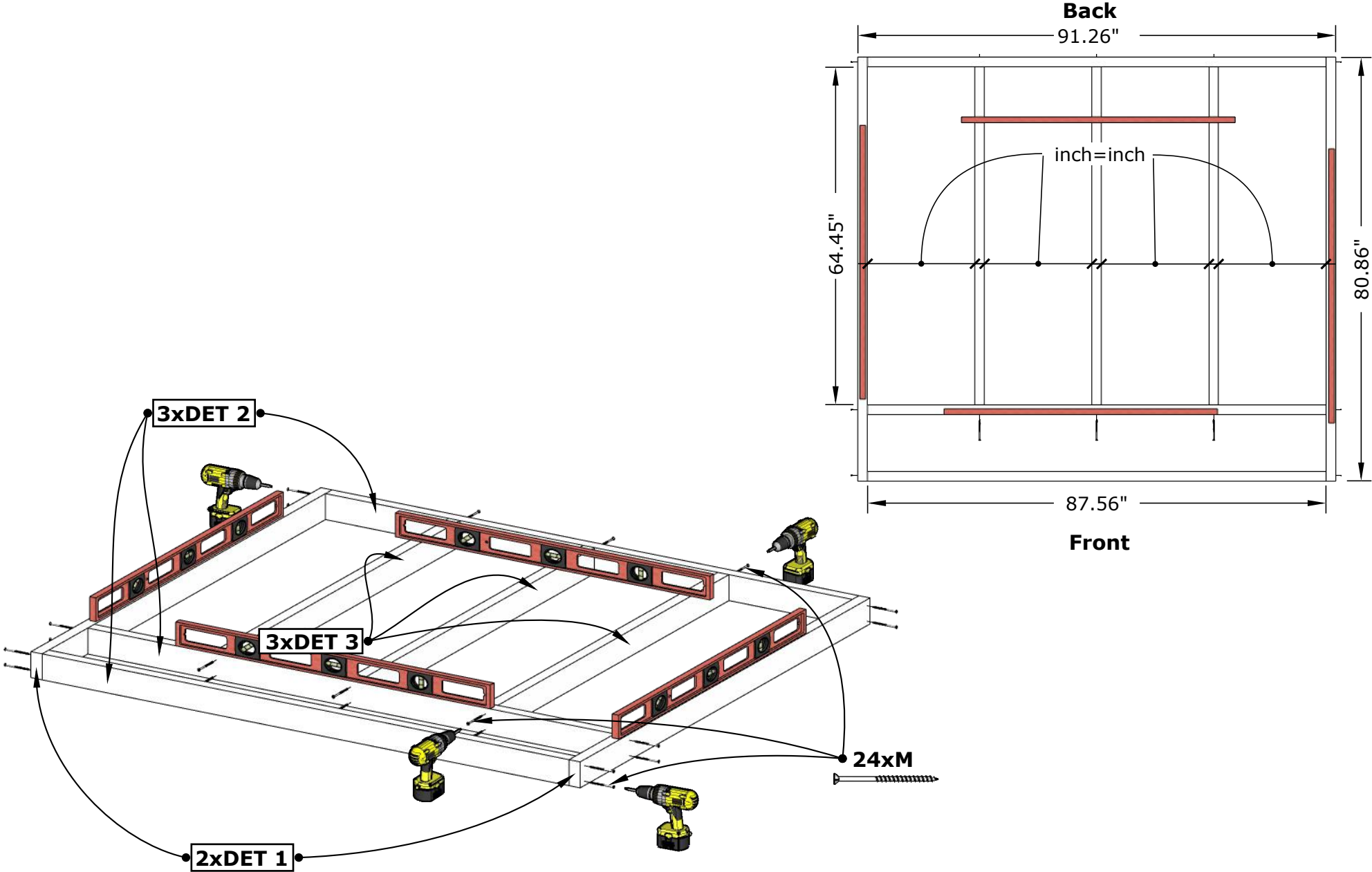


G3 Outdoor Sauna

Details list.



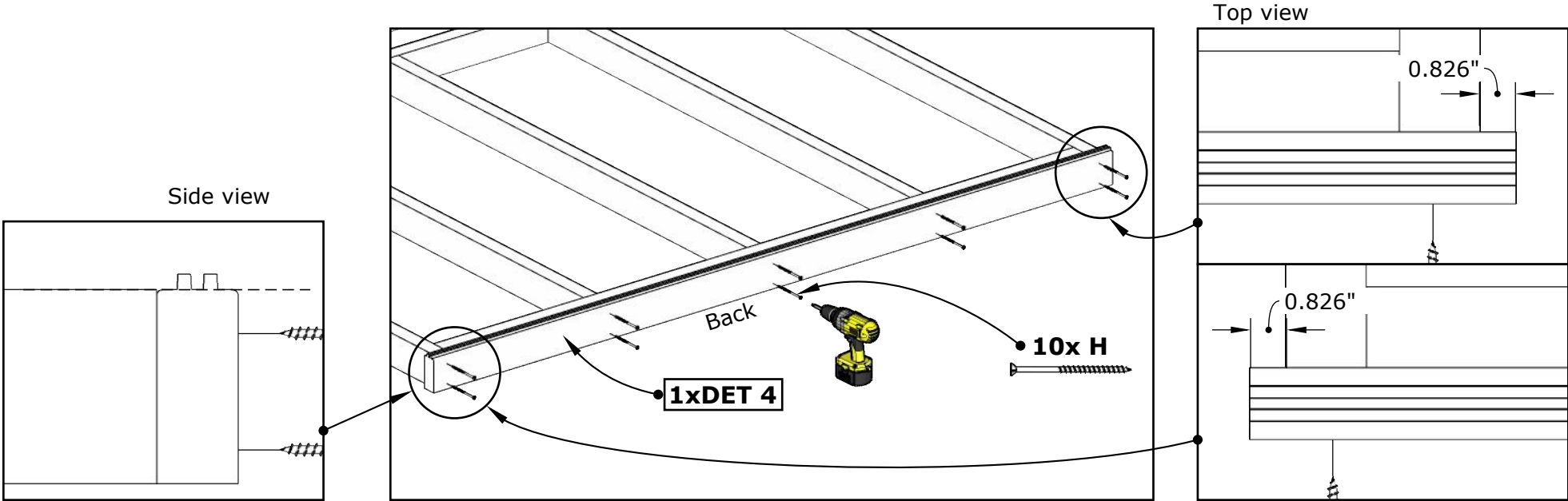
G3 Outdoor Sauna



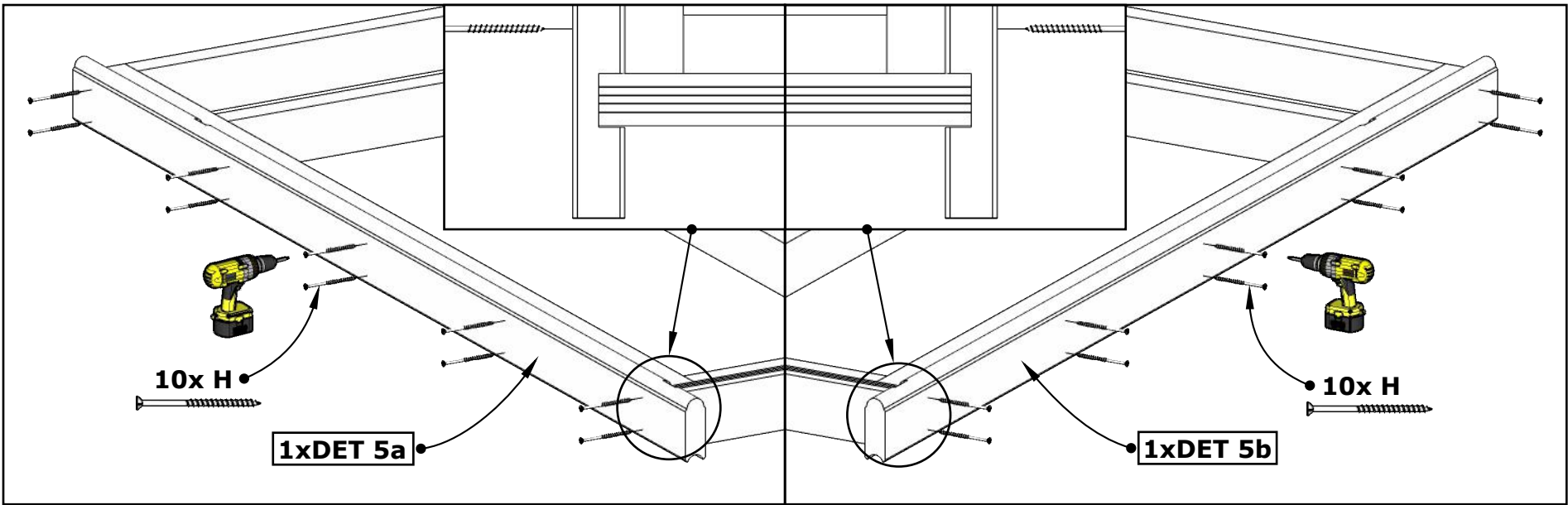
1.

I

G3 Outdoor Sauna



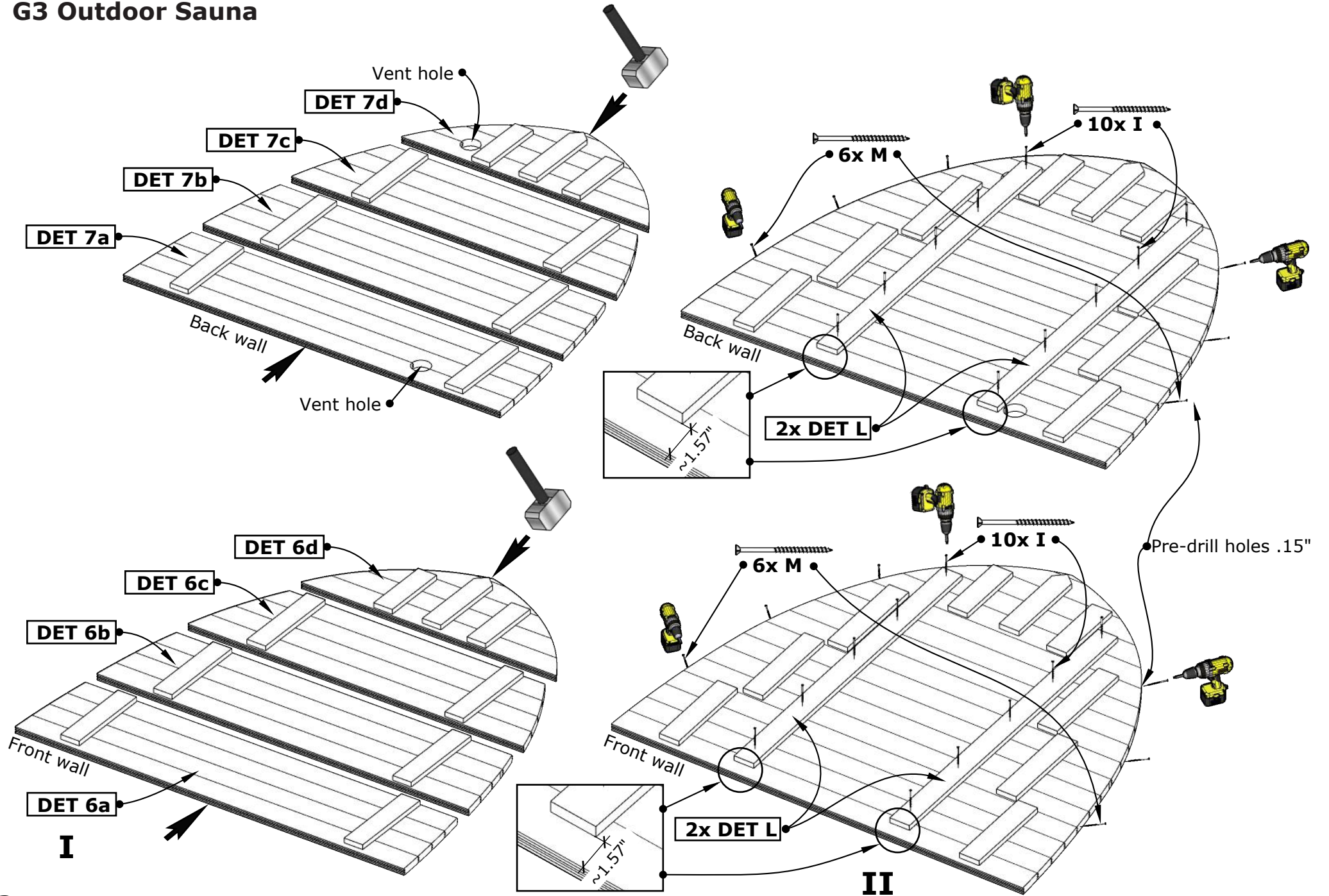
I



II

2.

G3 Outdoor Sauna



3.

G3 Outdoor Sauna



Use water level!

1x DET 5a
1x DET 5b

Fix temporarily to support walls.

4x H

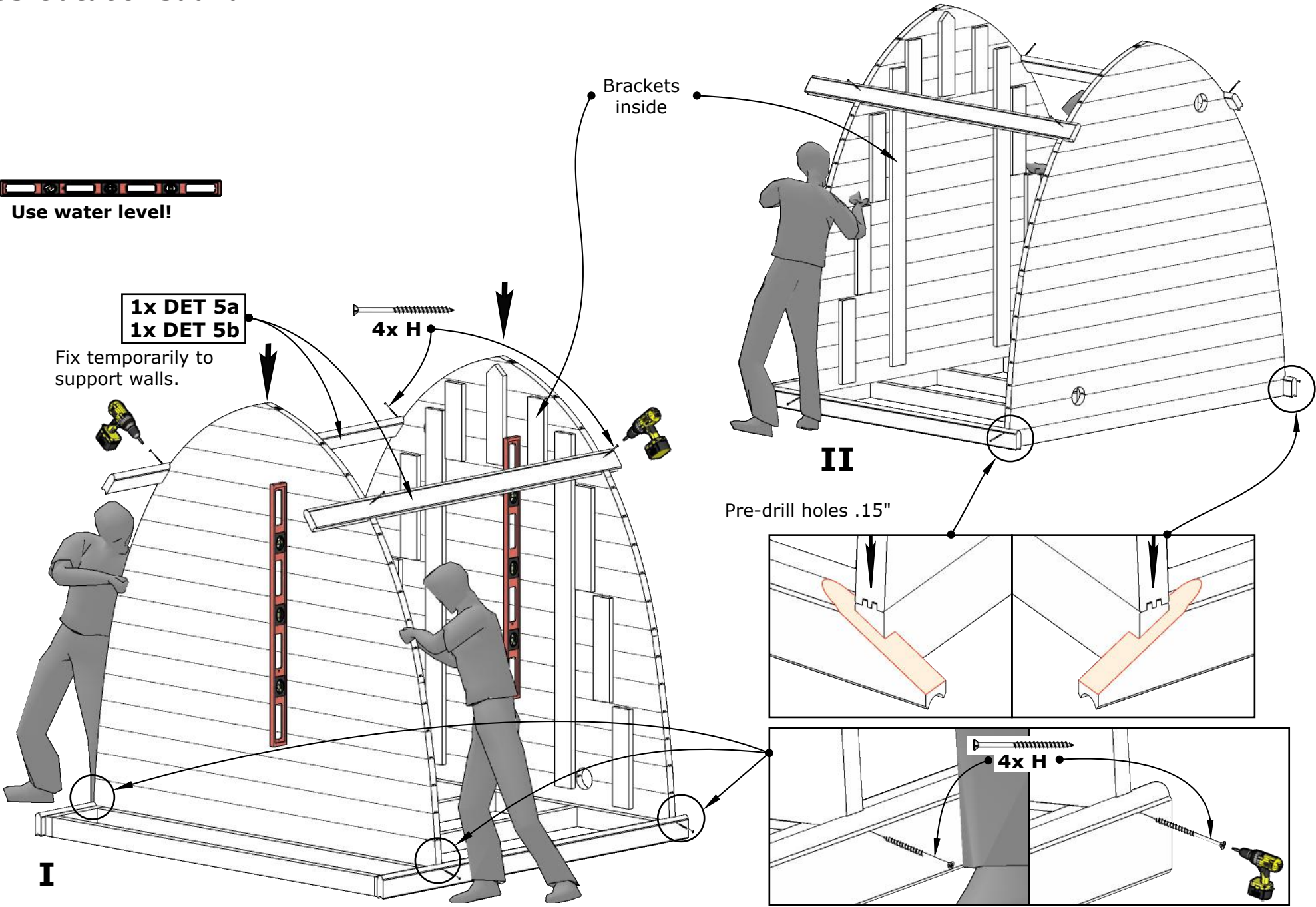
Brackets inside

II

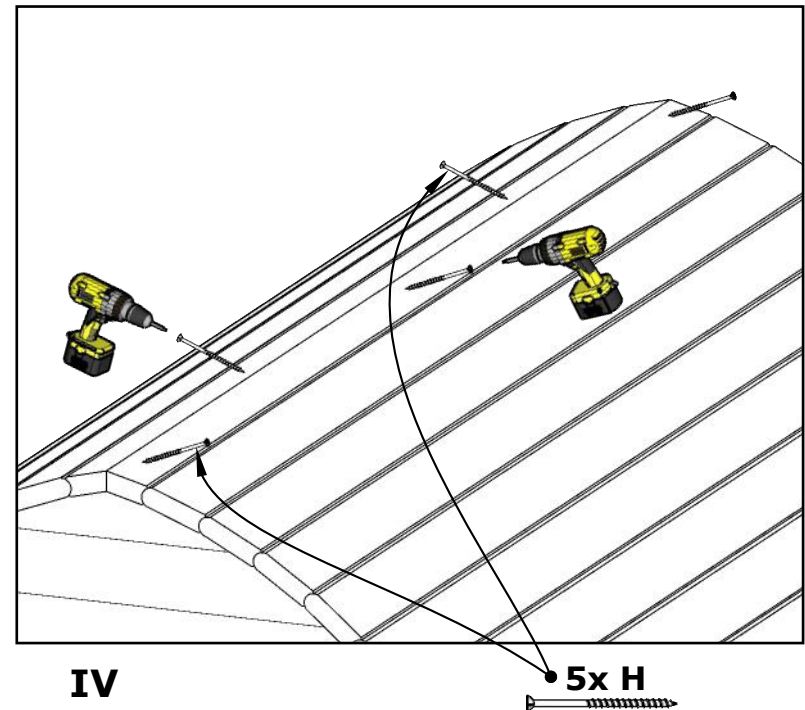
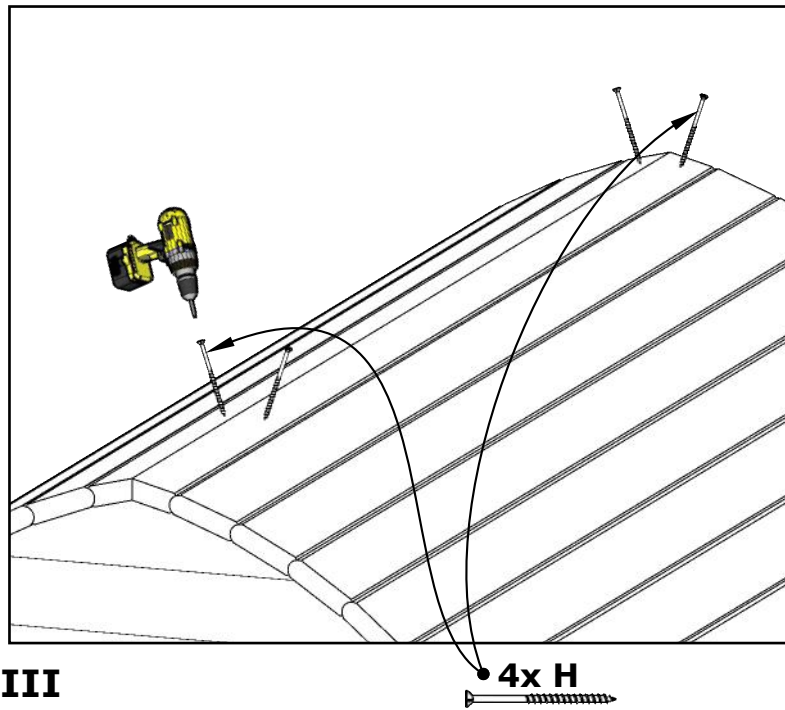
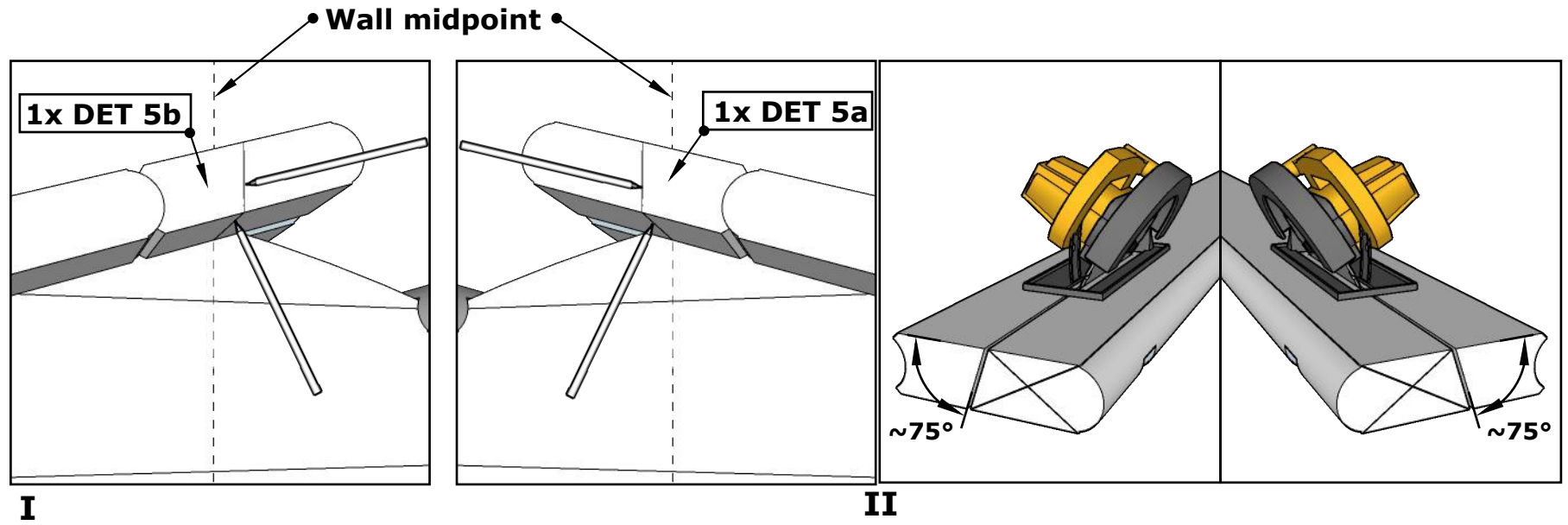
Pre-drill holes .15"

I

4.

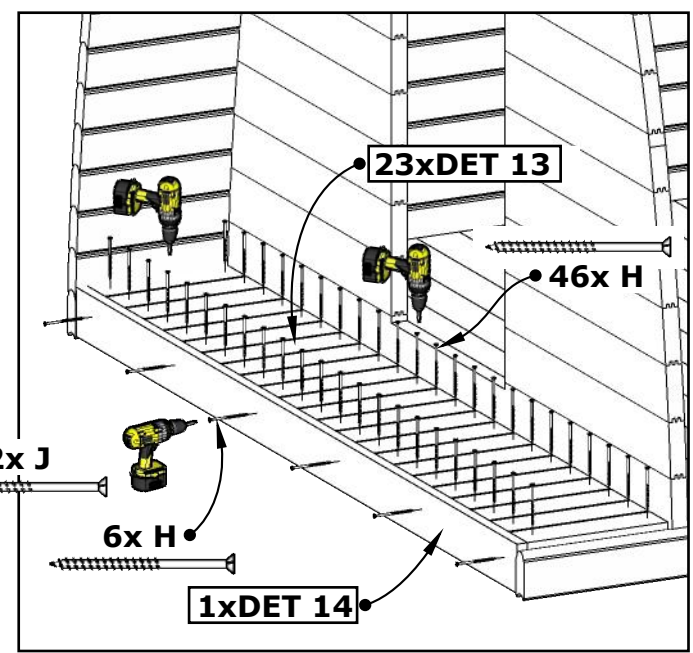
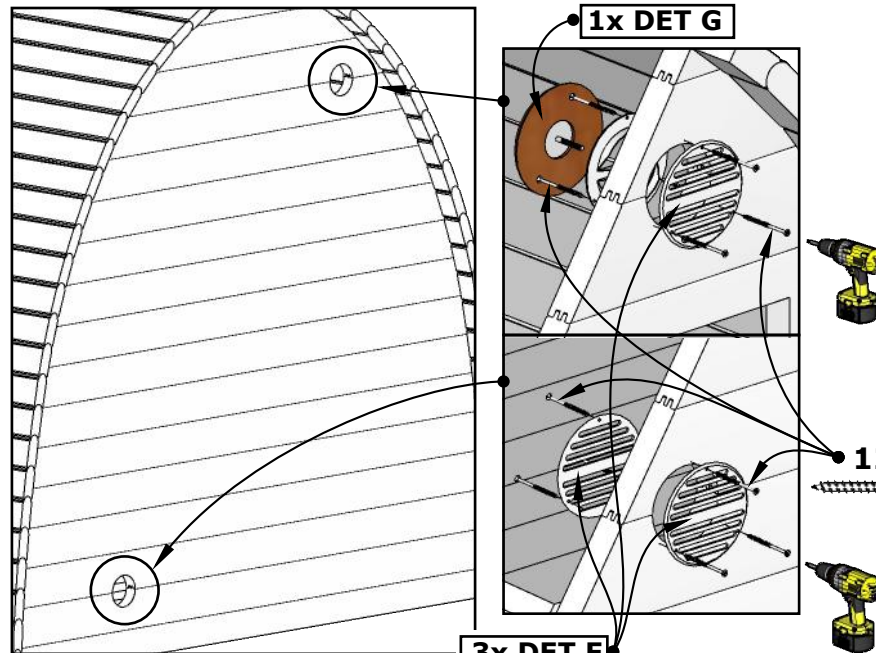
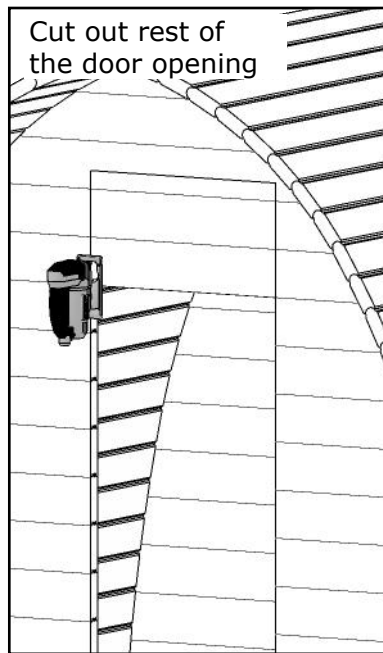
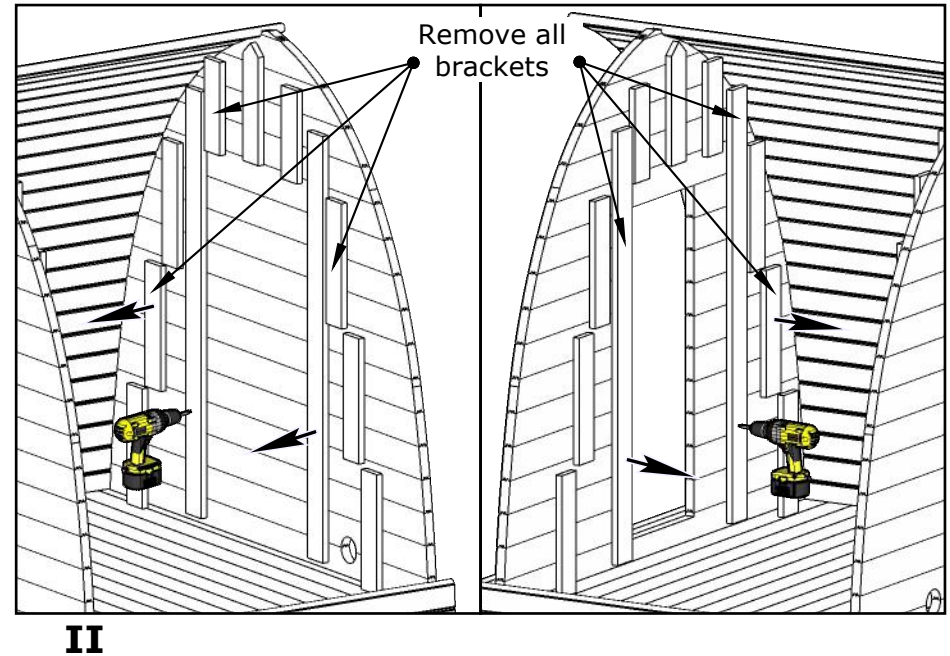
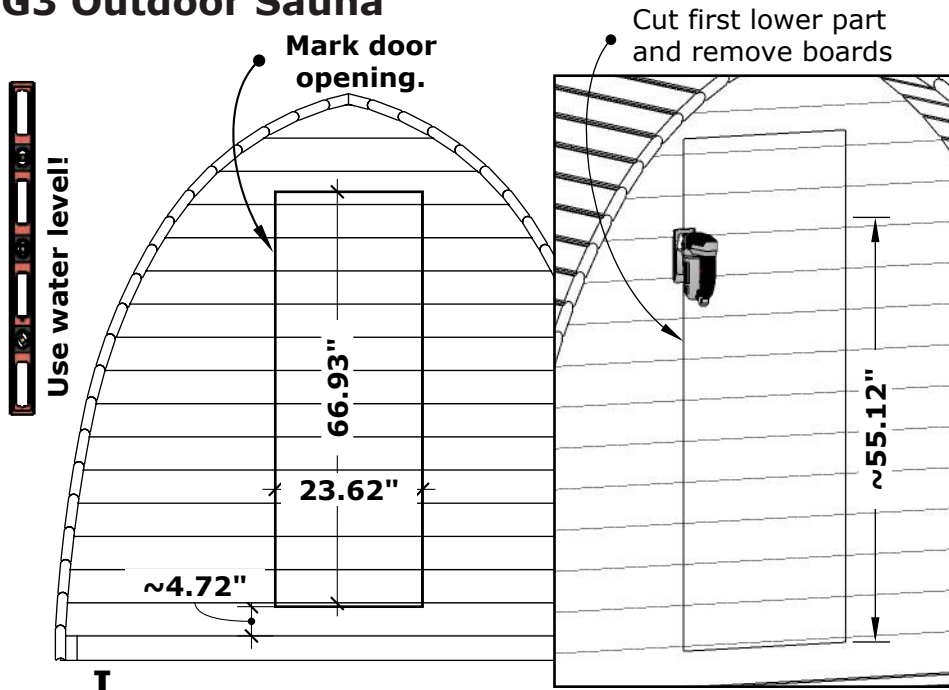


G3 Outdoor Sauna



6.

G3 Outdoor Sauna



7.

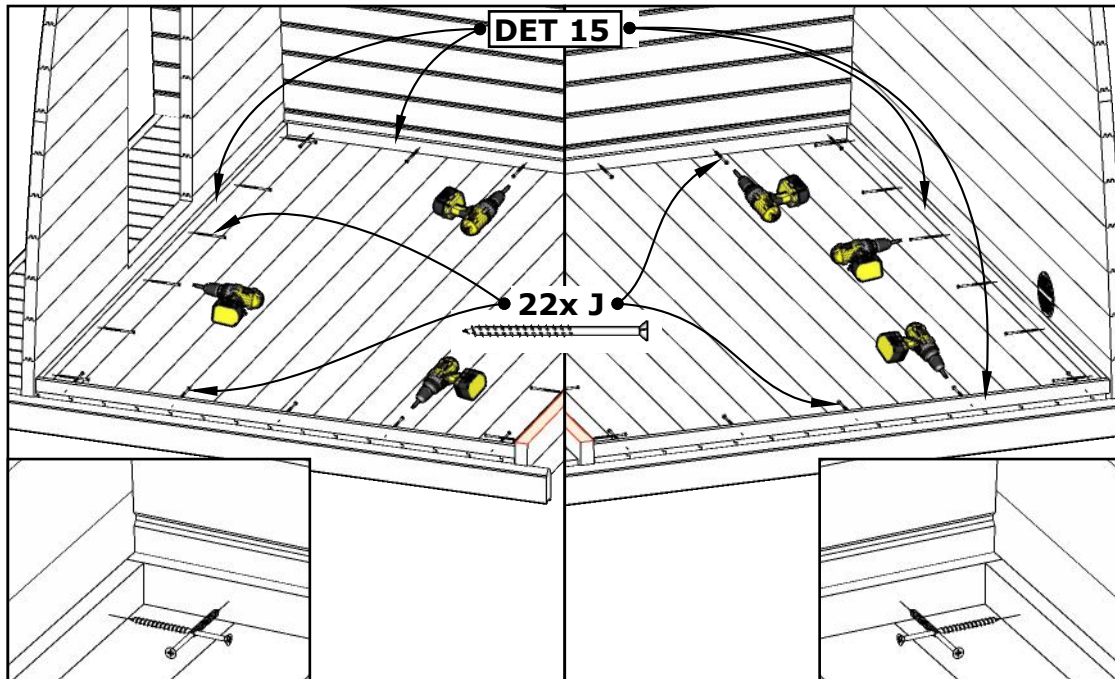
III

IV

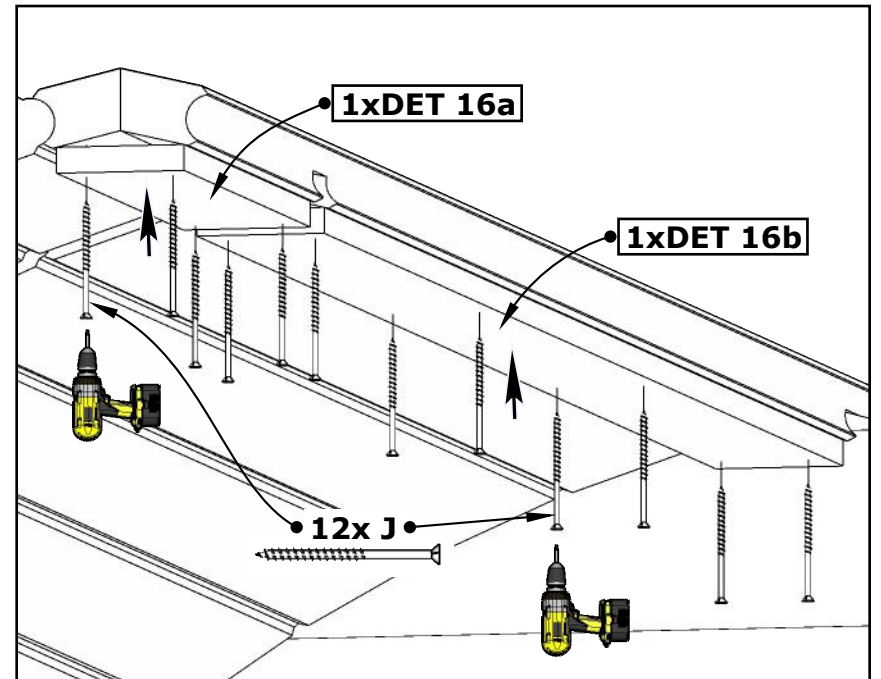
V

G3 Outdoor Sauna

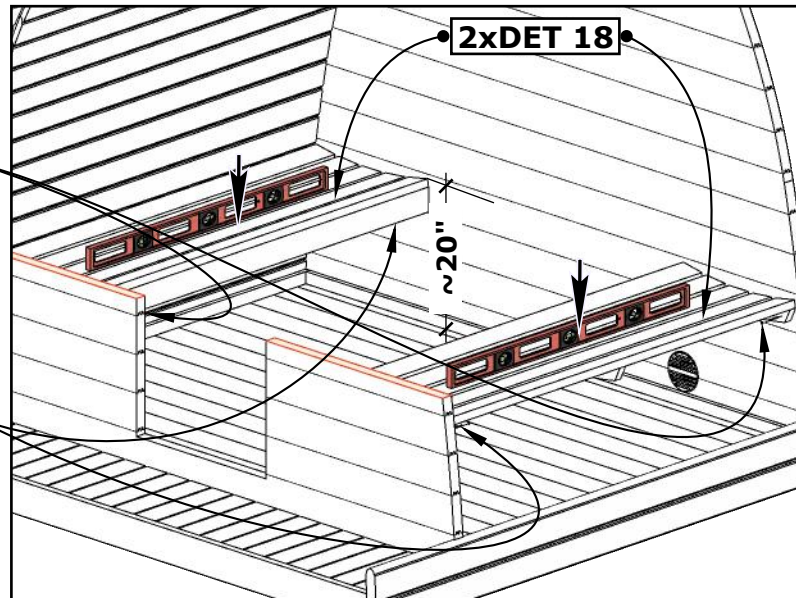
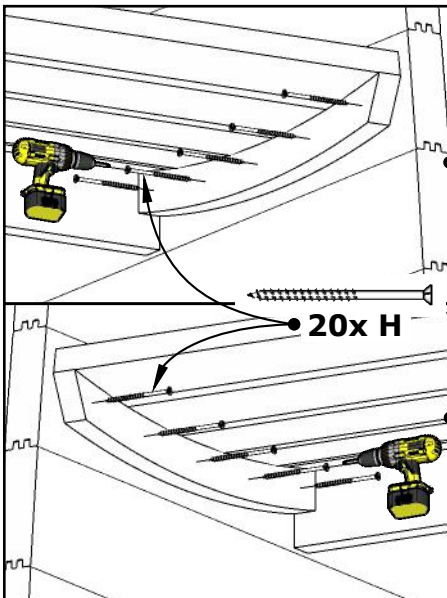
Cut floor slats from DET 15



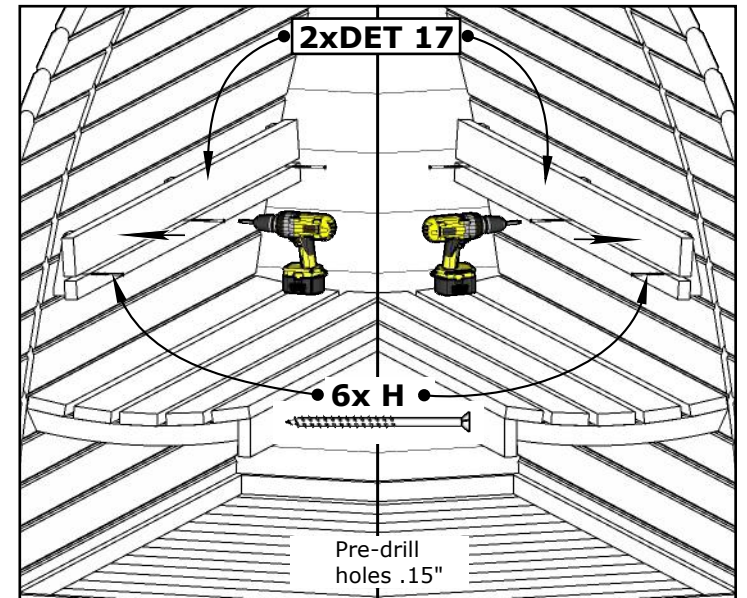
I



II



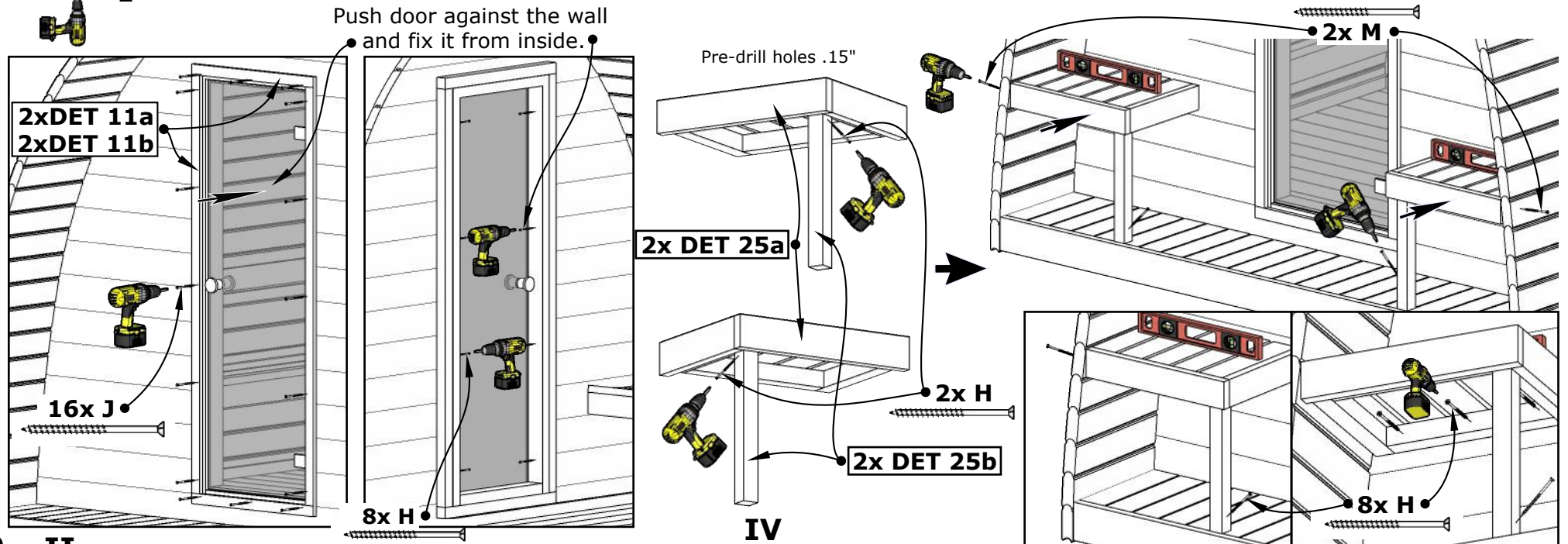
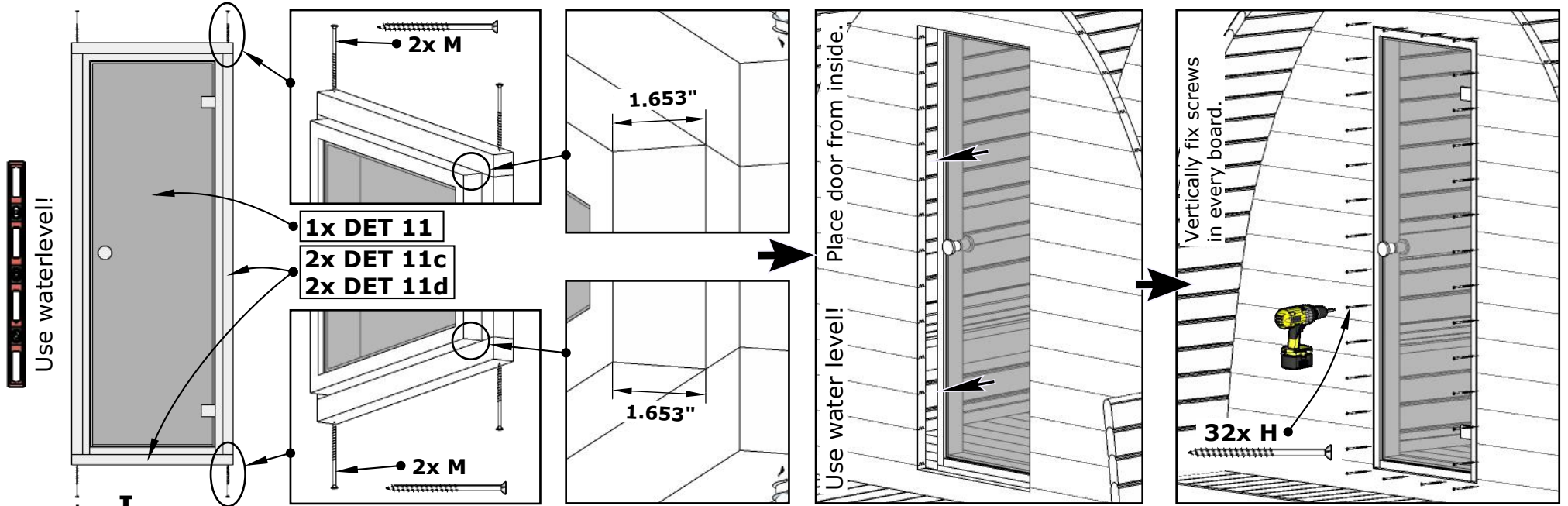
III



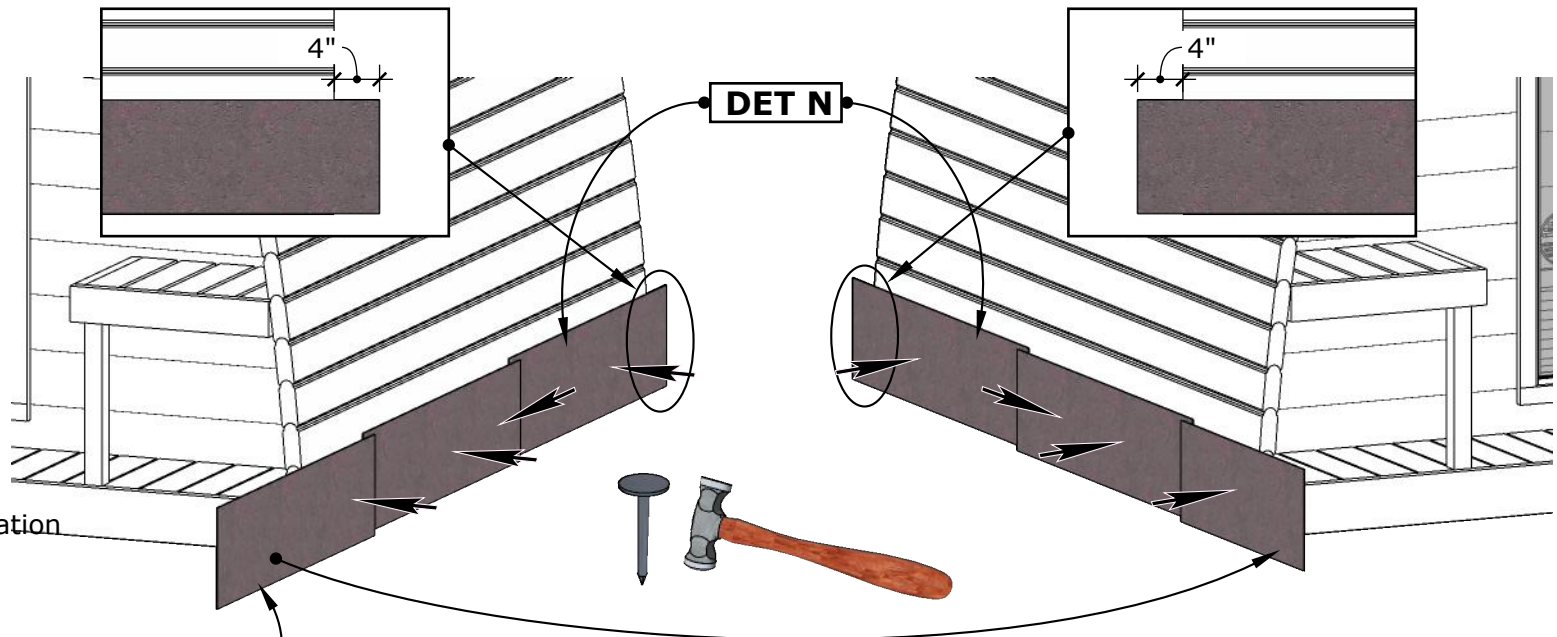
IV

8.

G3 Outdoor Sauna



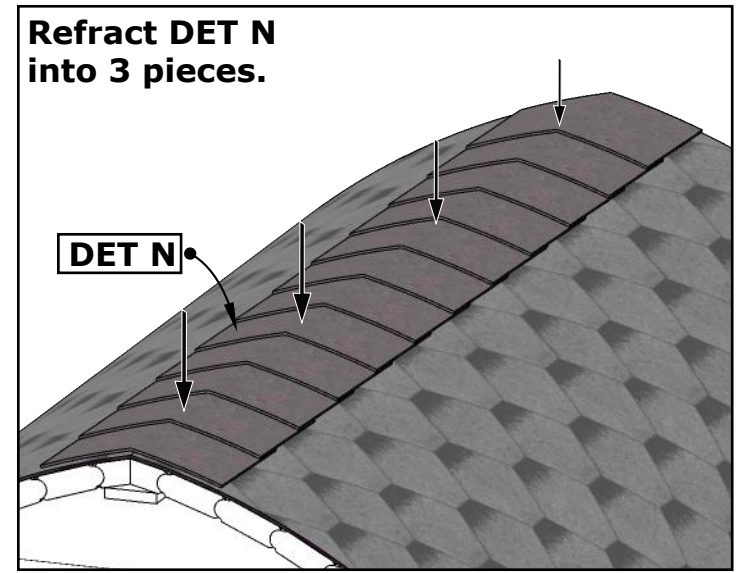
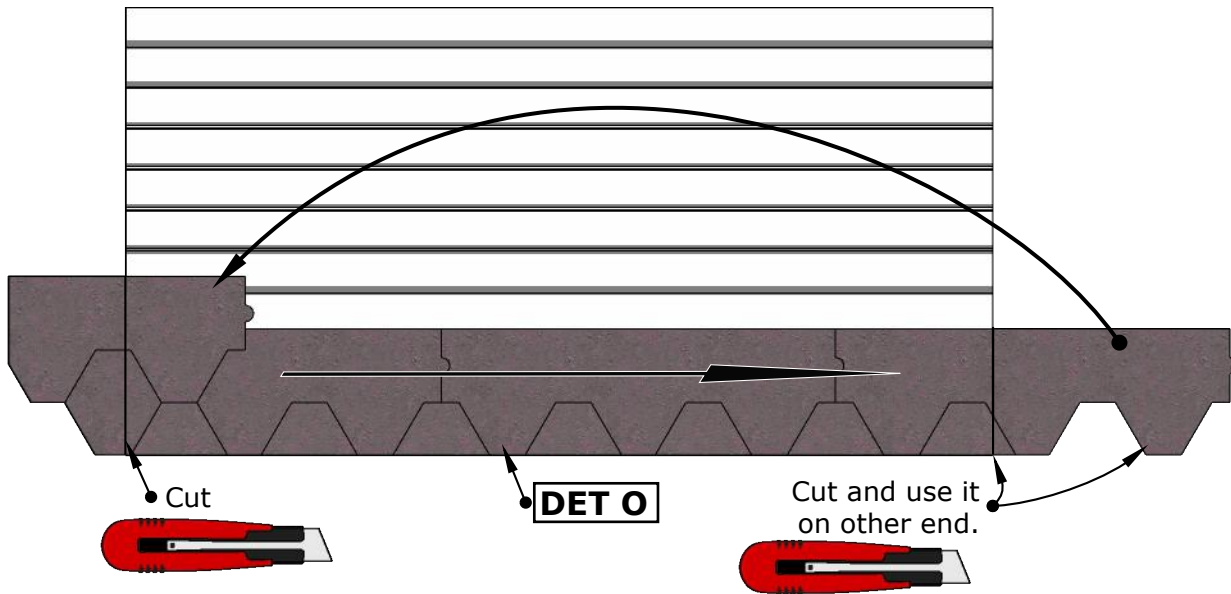
G3 Outdoor Sauna



Check roof shingles installation manual inside package.

Cut and use it on other side

I



III

10.

G3 Outdoor Sauna

