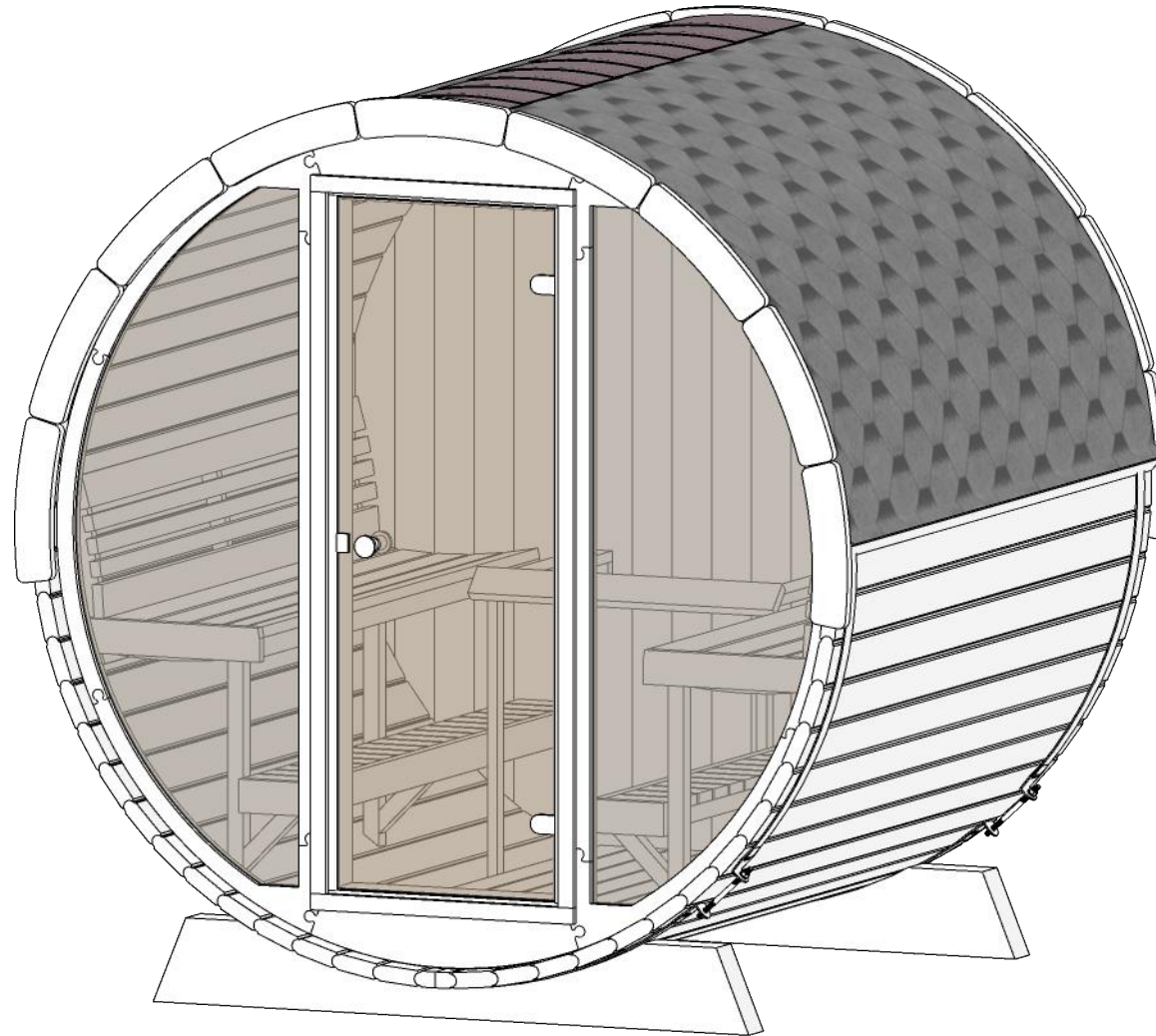




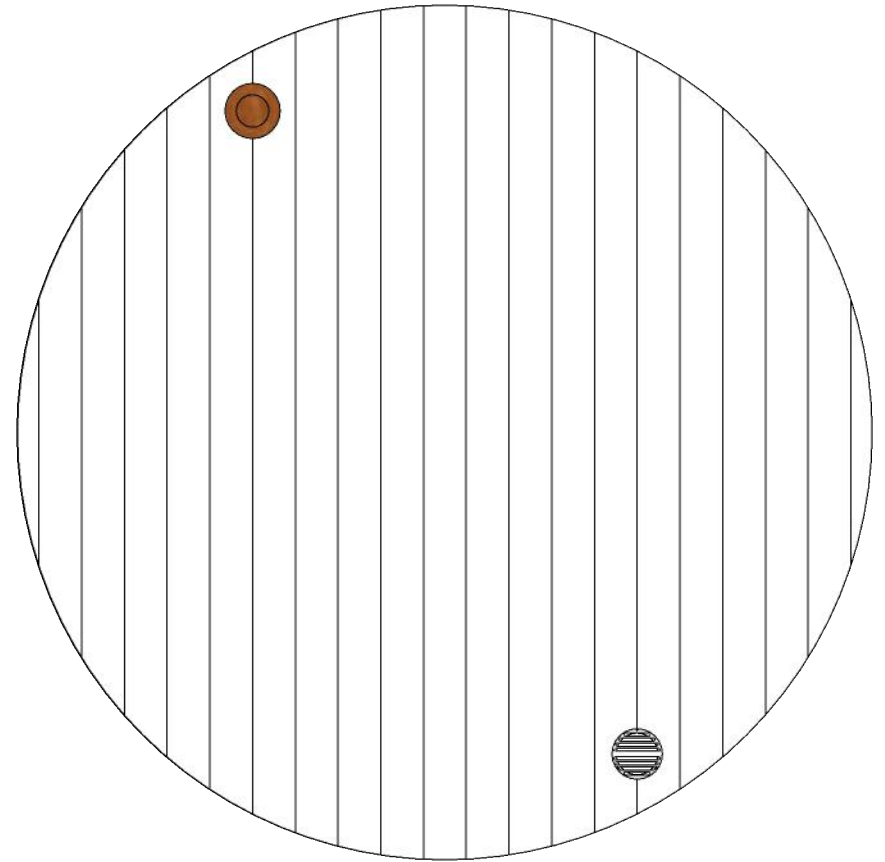
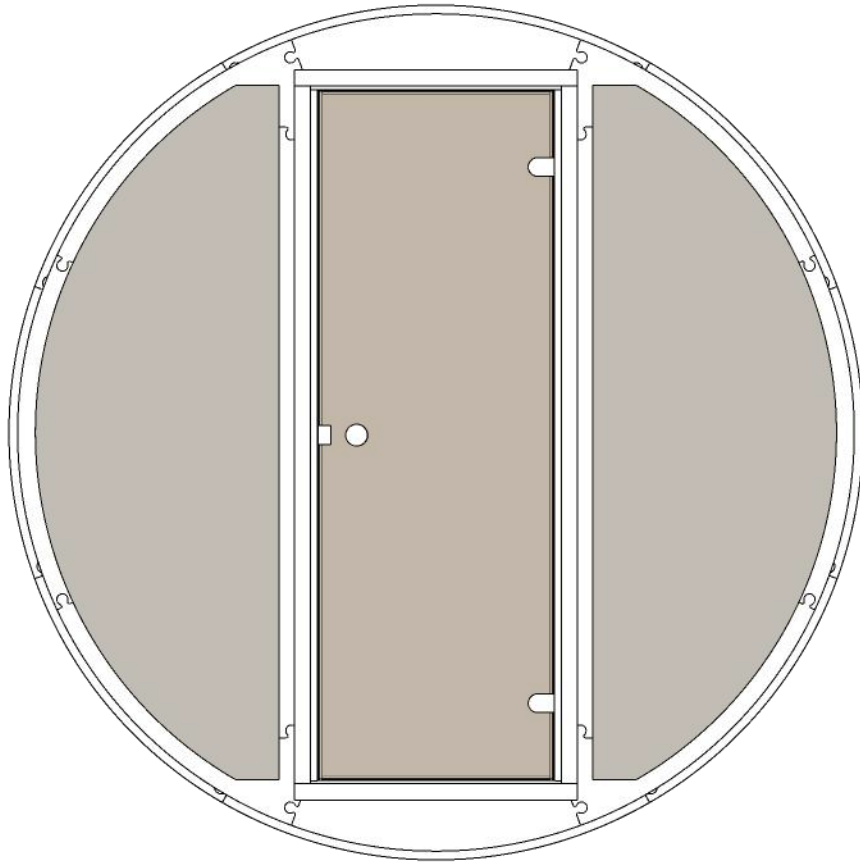
Ergo-Series EE8G Barrel Sauna
Full Glass Front 79D" x 90H"



Note: Please read manual before construction

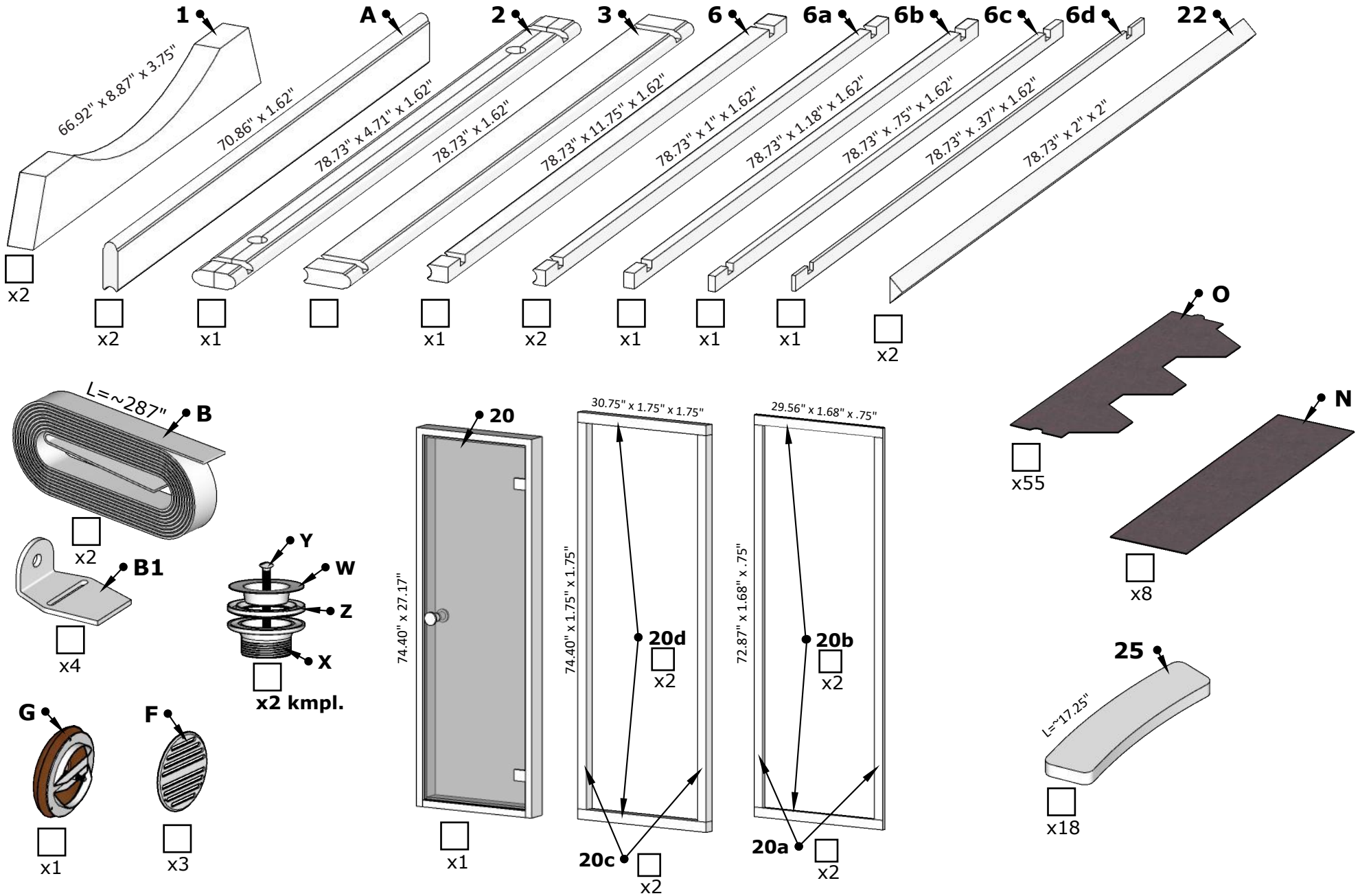
Rev: (1.0)7/2023

Front & Back Walls



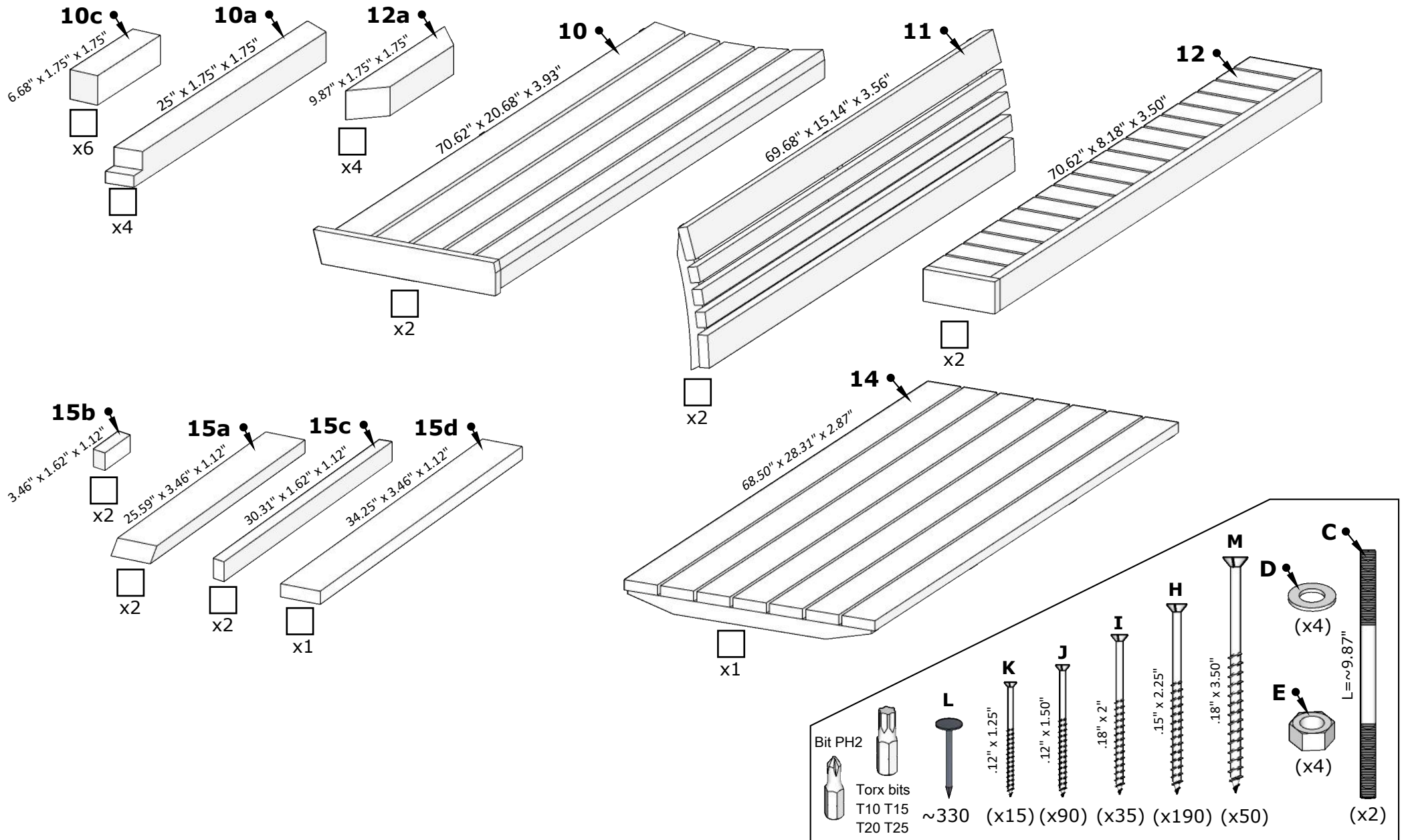
EE8G Barrel Sauna 79D" x 90H"

Details list. 1

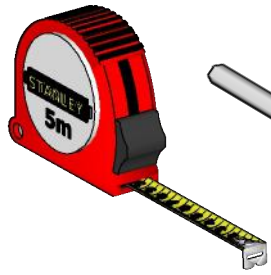


EE8G Barrel Sauna 79D" x 90H"

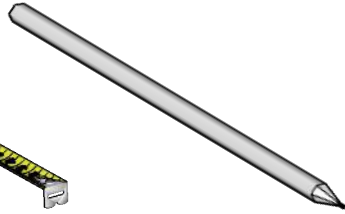
Details list. 2



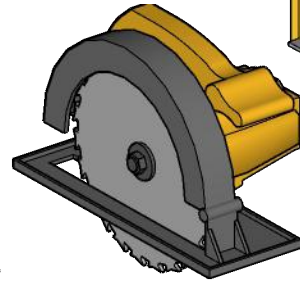
Tools needed



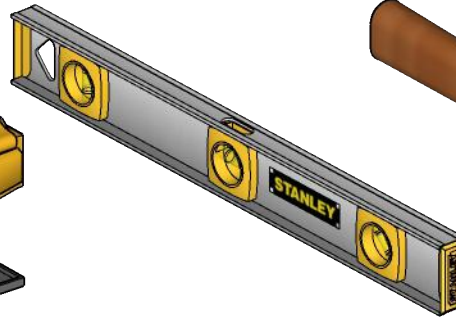
Measuring tape



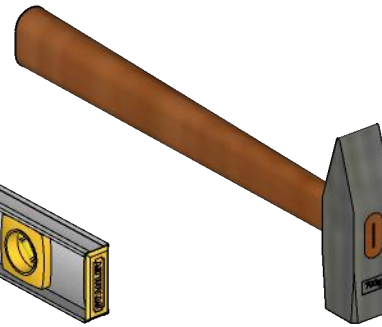
Marker pen



Circular saw



Water level



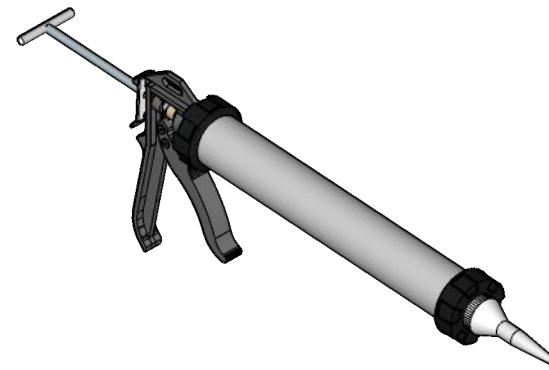
Hammer



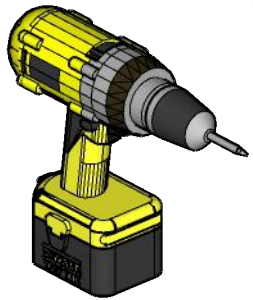
Extra hands



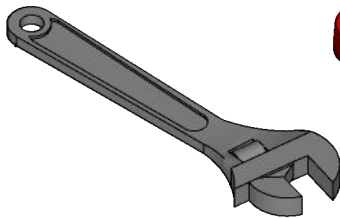
Ratchet strap



Silicone gun
(Only glass-wall models)



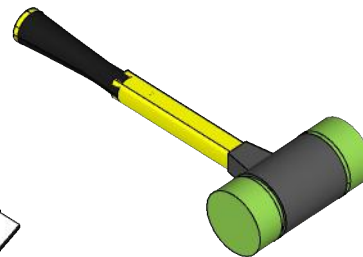
Drill



Crescent wrench

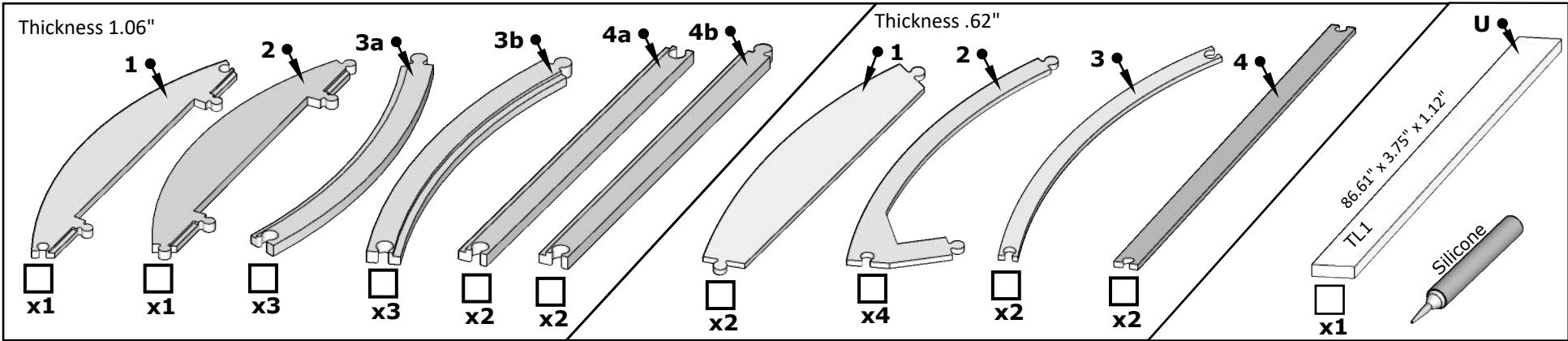


Utility knife

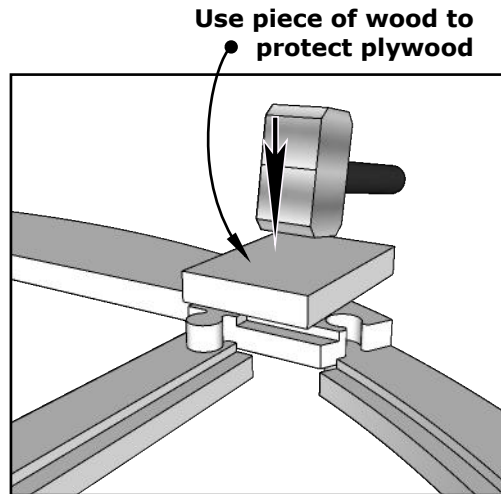
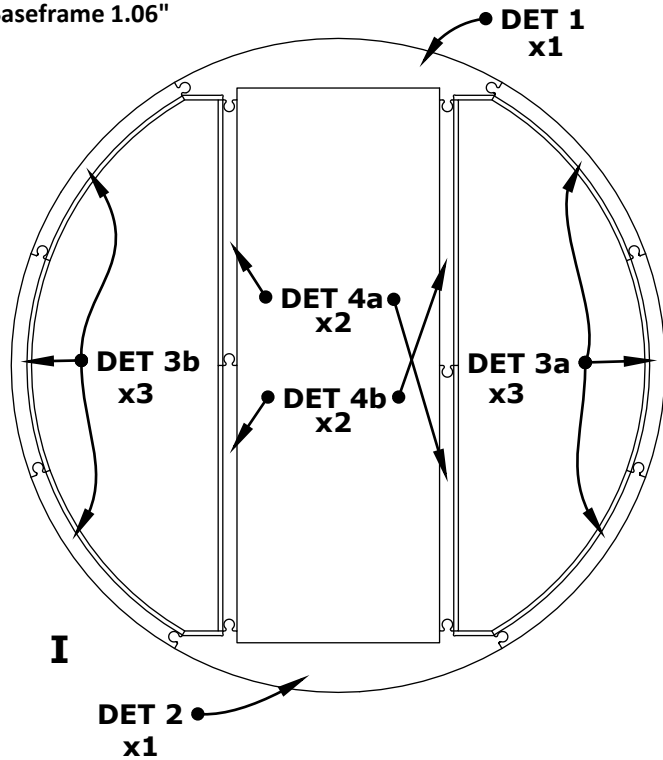


Rubber mallet

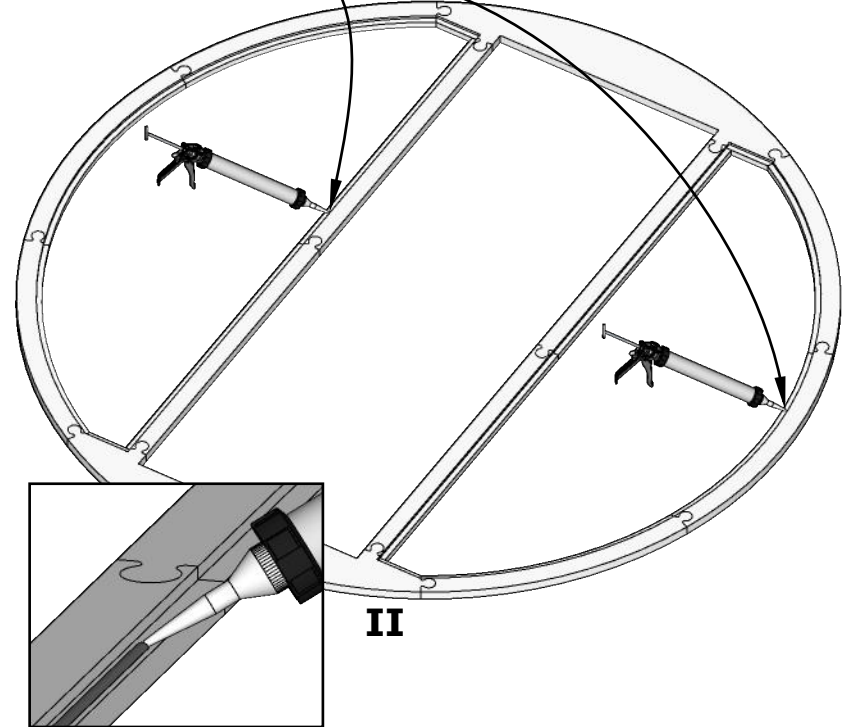
Front glass wall installation



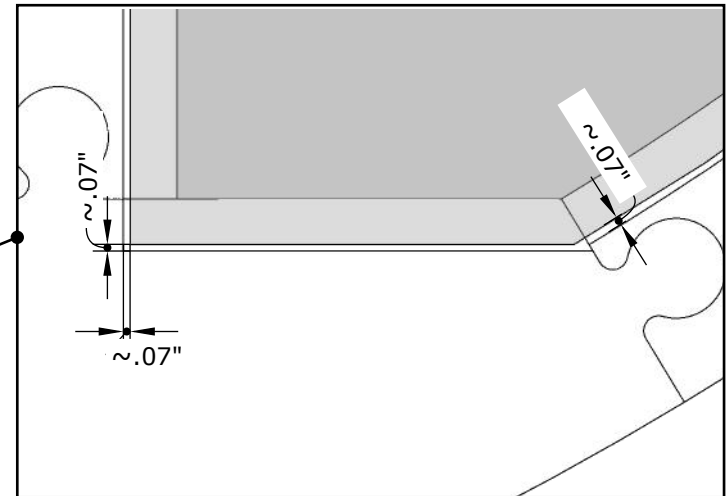
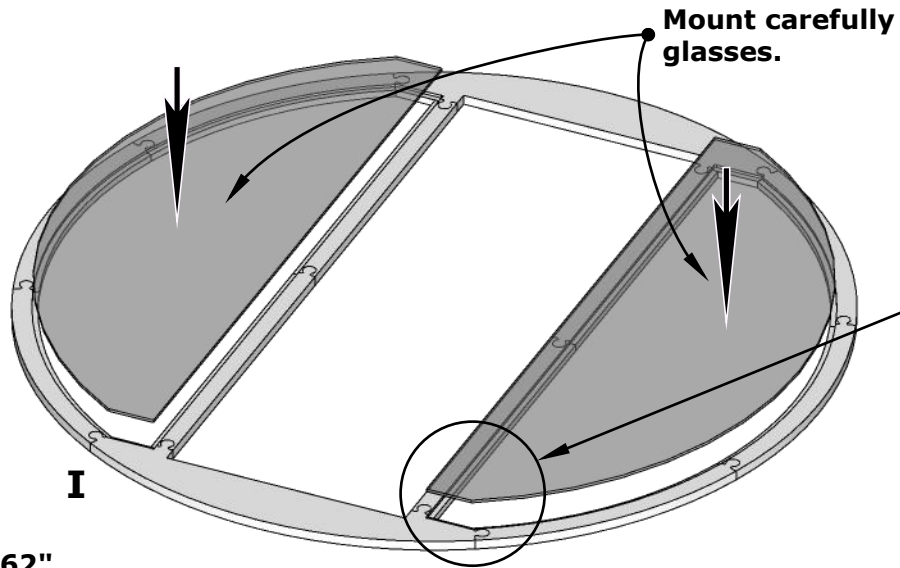
Baseframe 1.06"



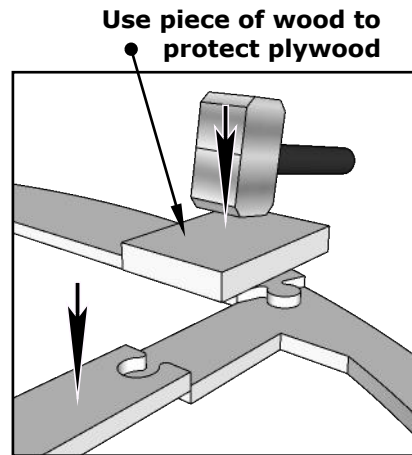
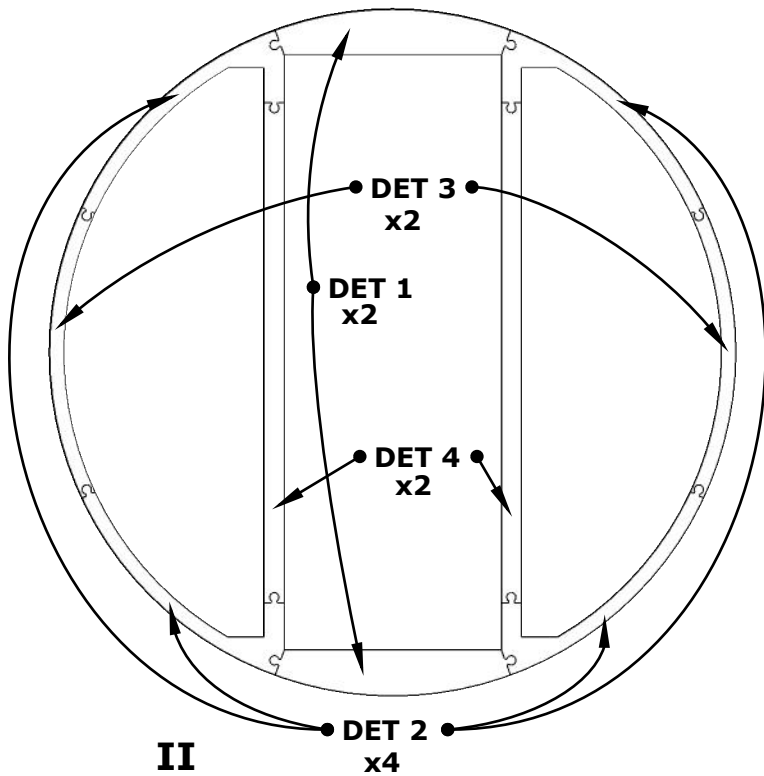
Apply waterproof silicone to the groove



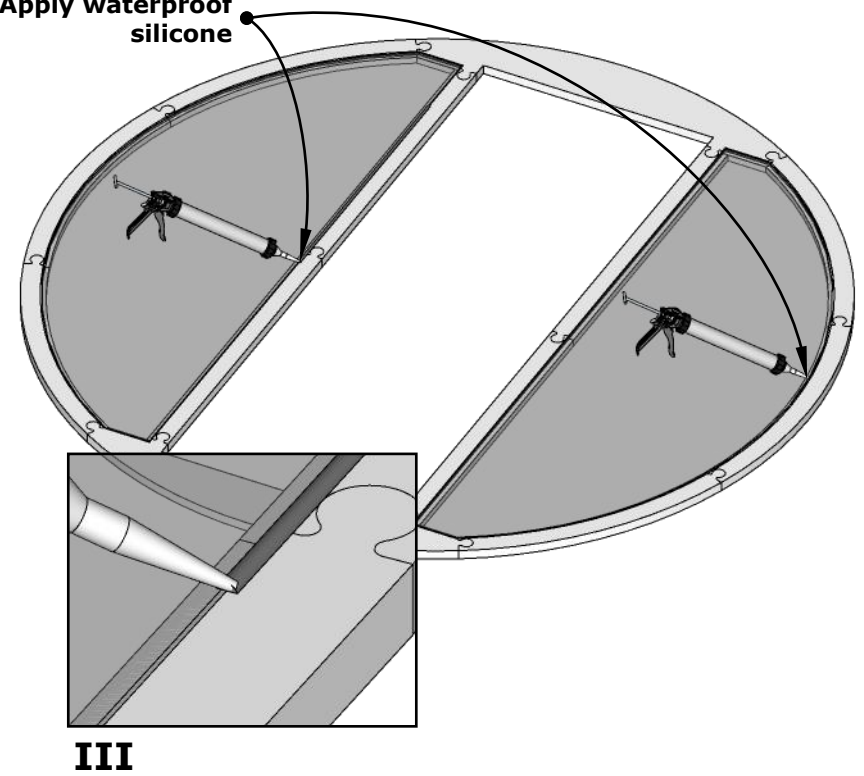
Front glass wall installation

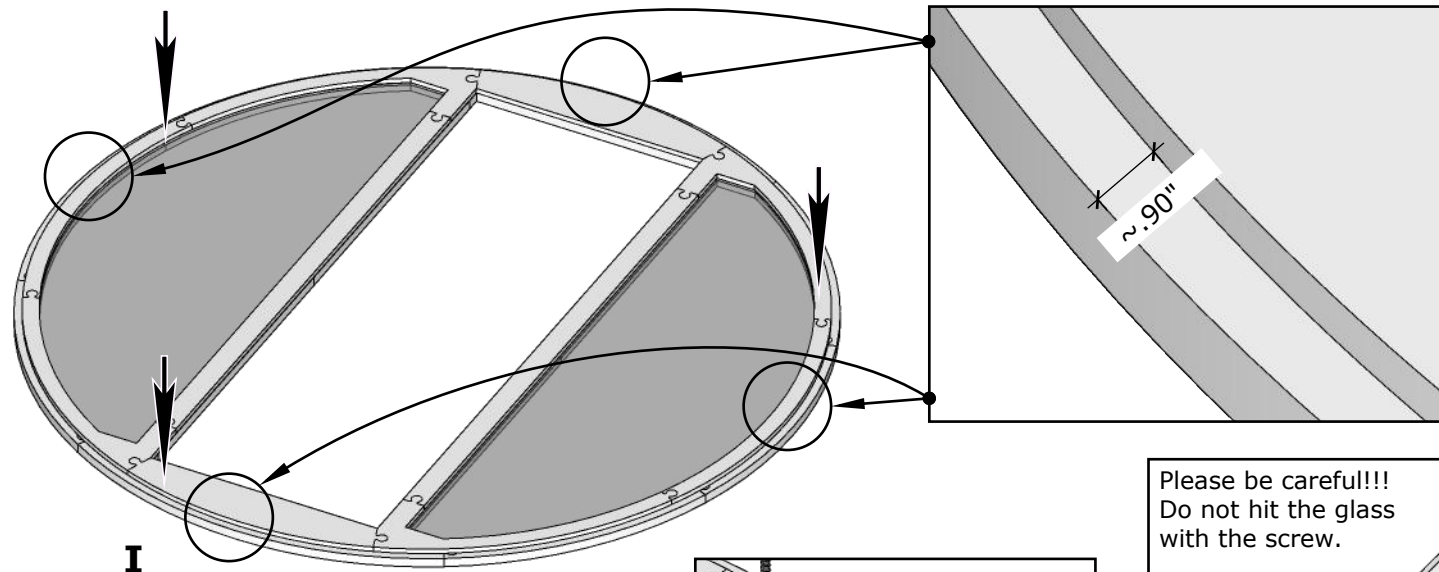


Coverframe .62"



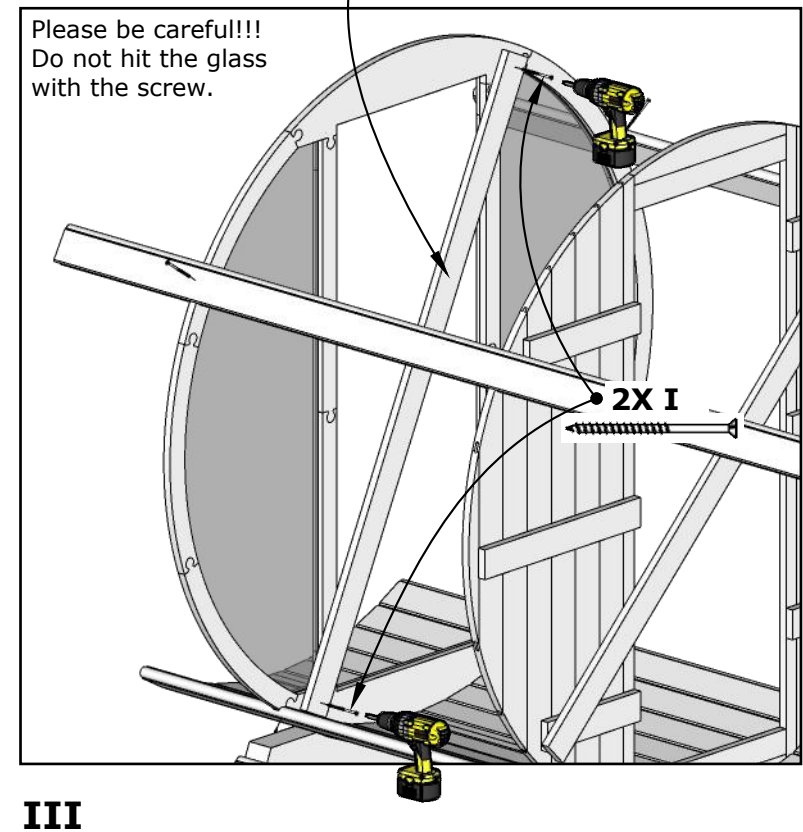
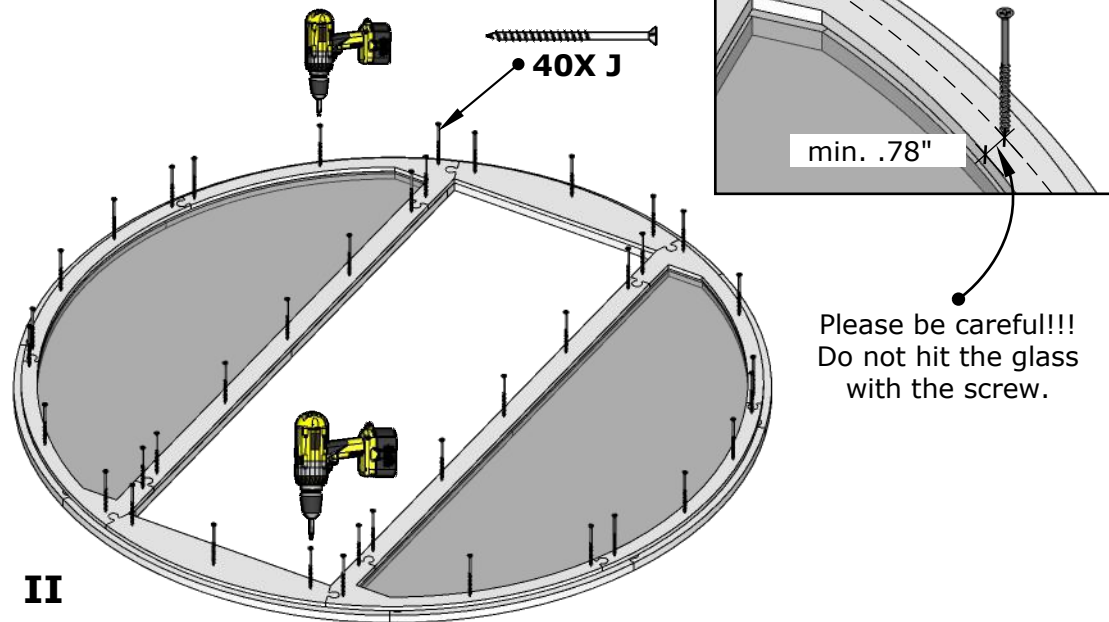
Apply waterproof silicone



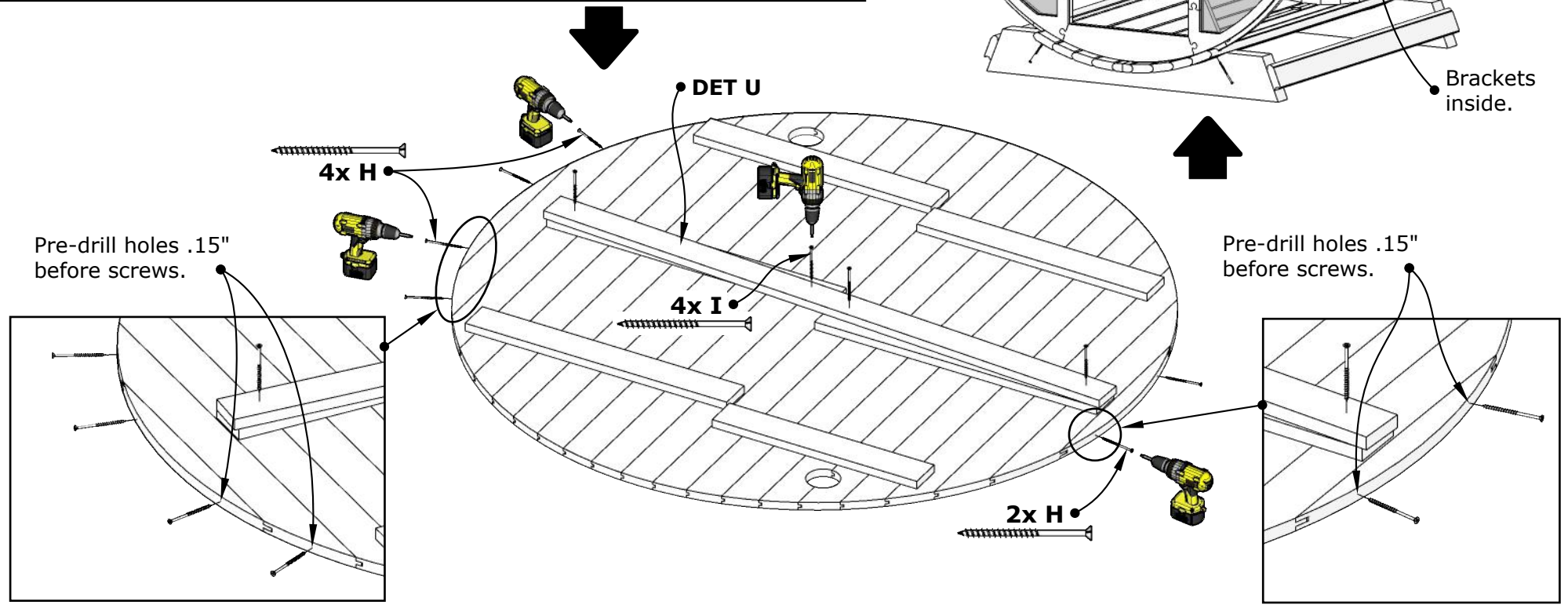
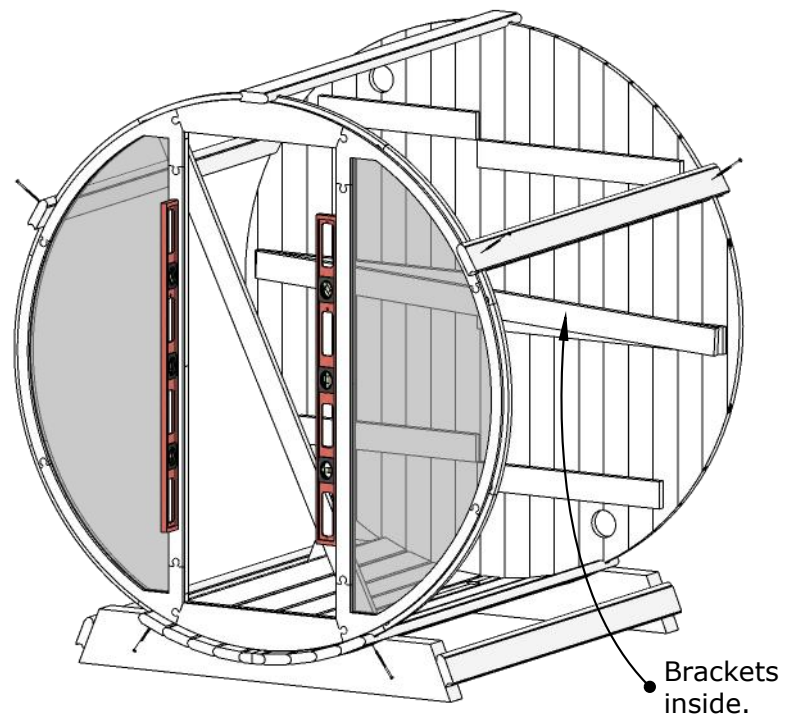
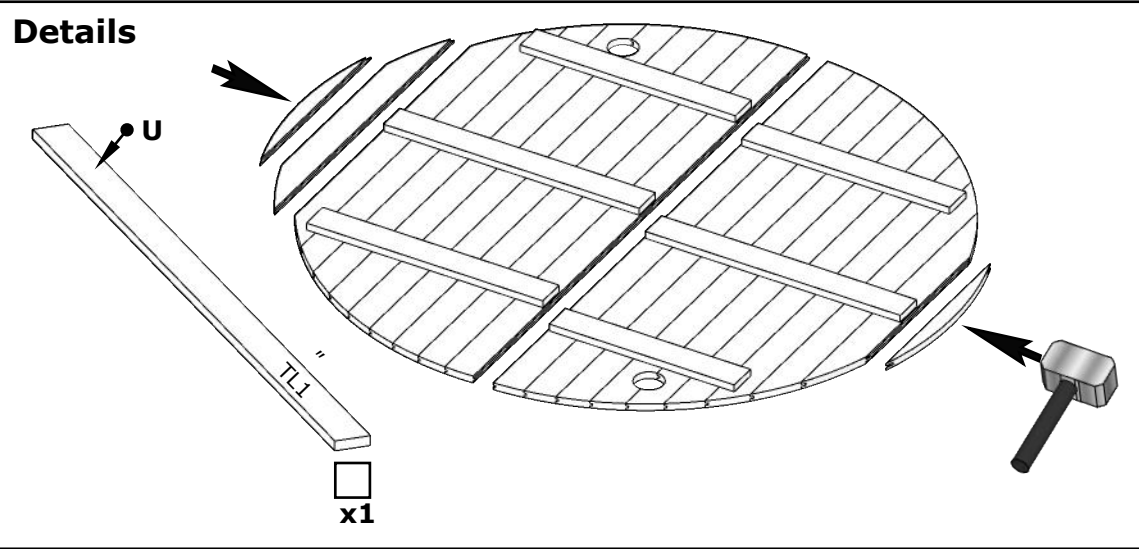


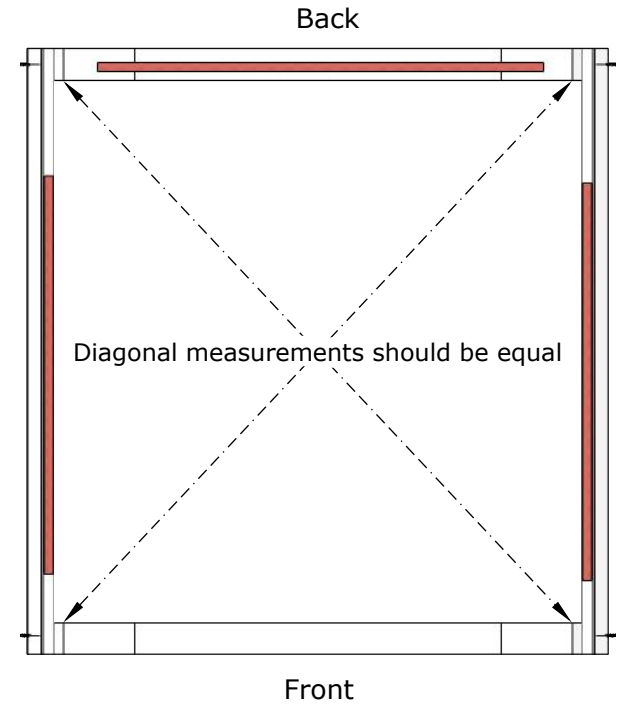
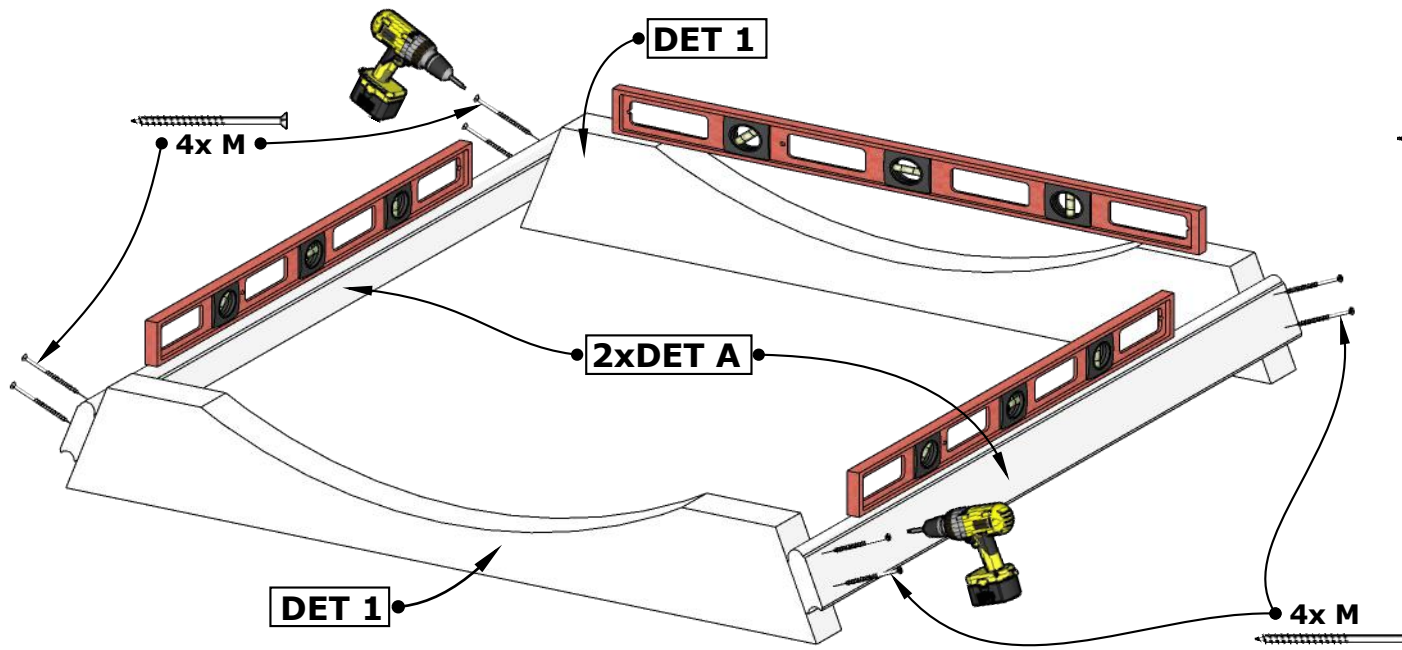
DET U

- Fix it diagonally to make wall more rigid during the installation.

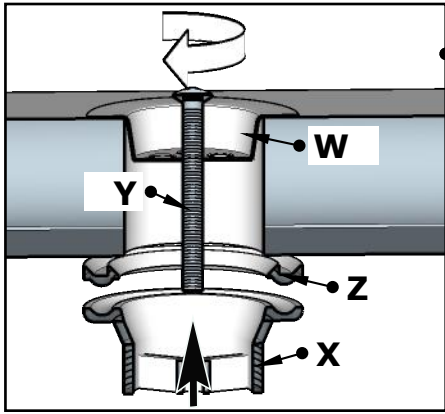


Wooden back wall assembly

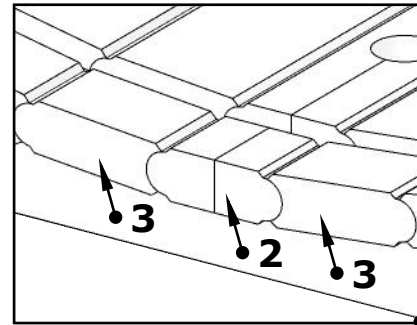
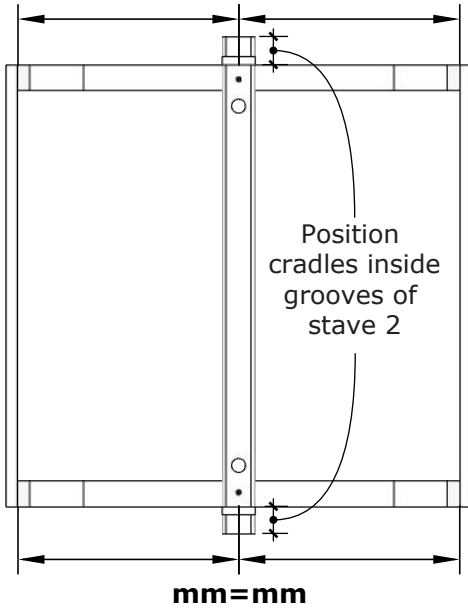
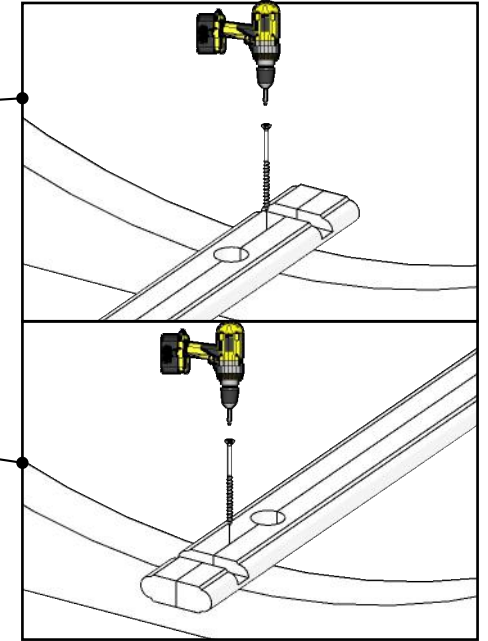
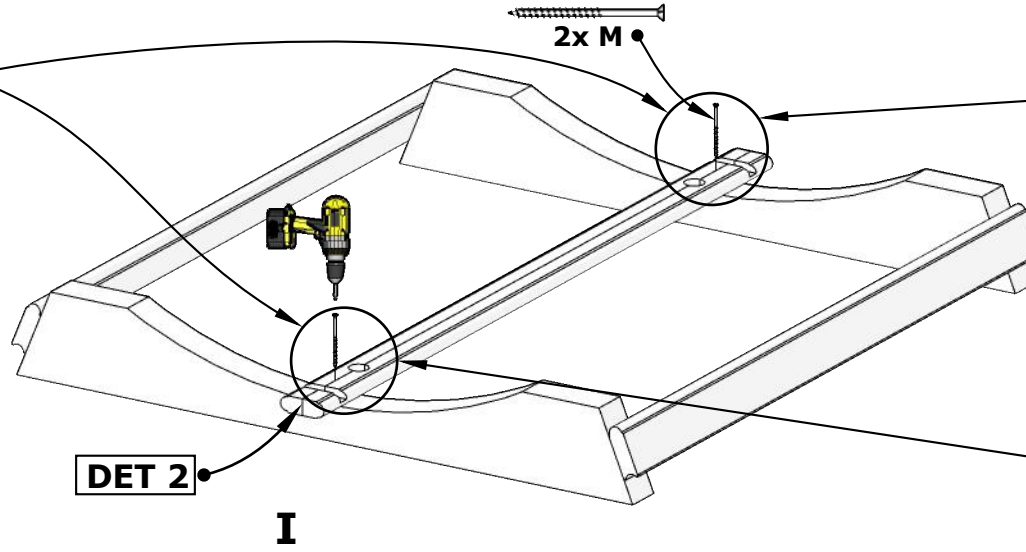




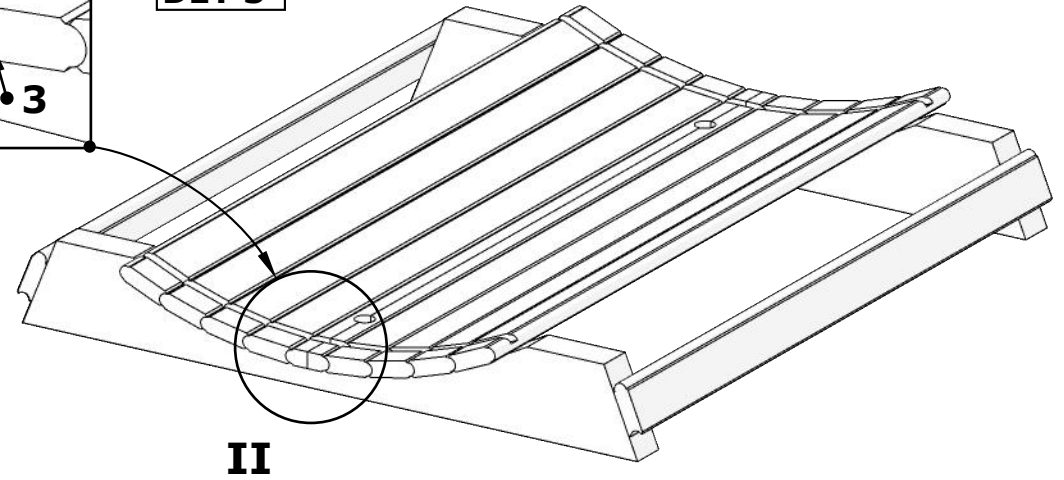
EE8G Barrel Sauna 79D" x 90H"

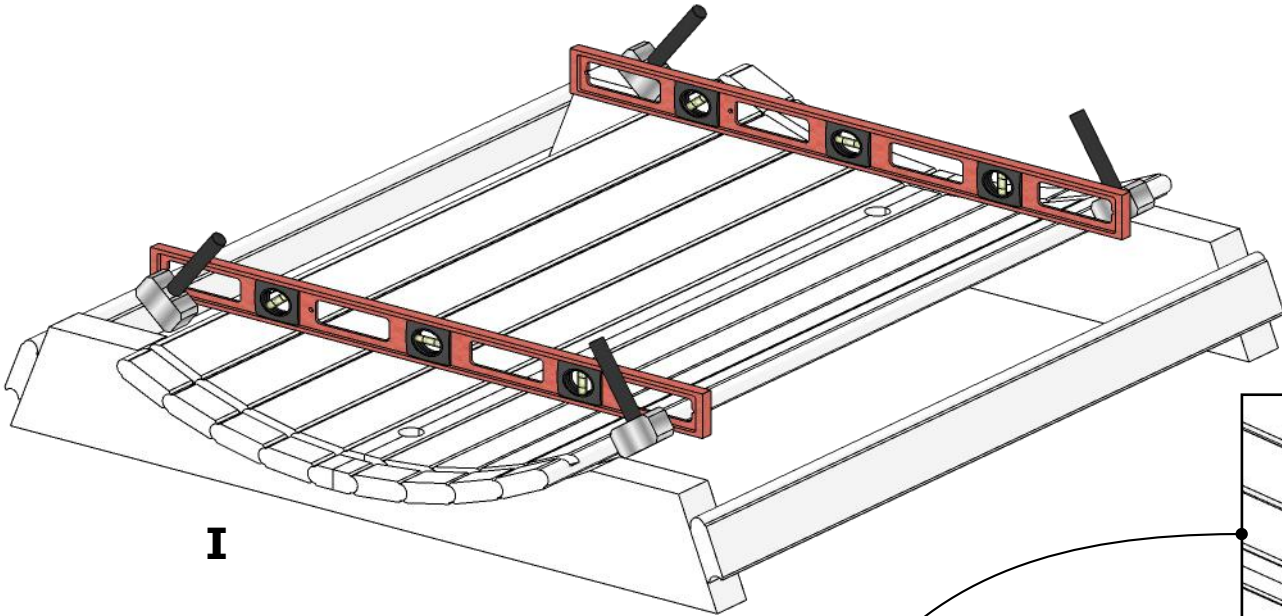


Center stave 2 on cradle 1

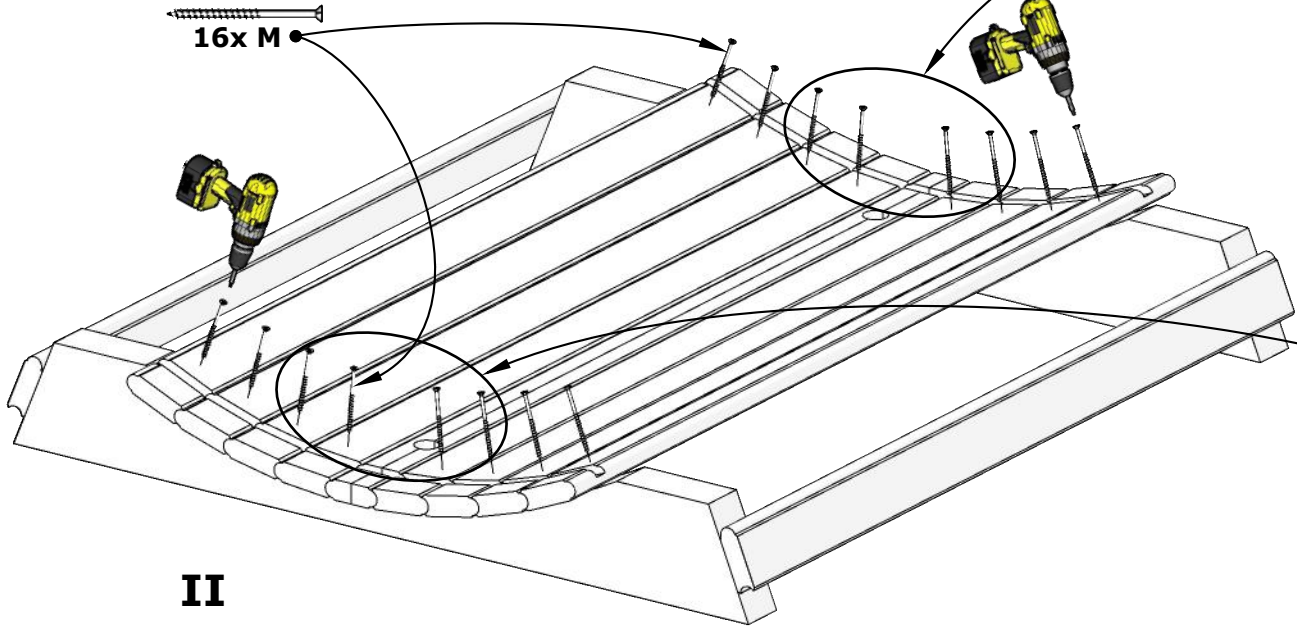


DET 3

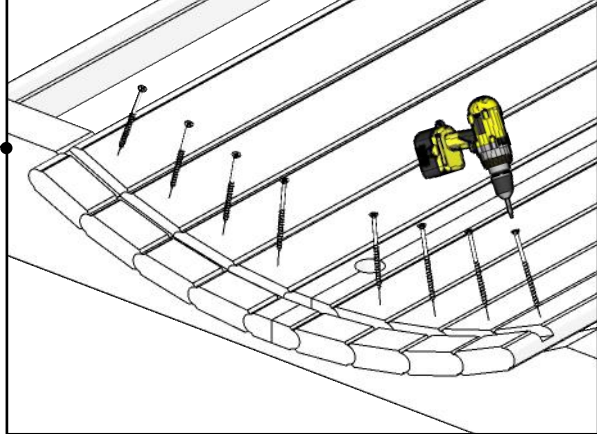
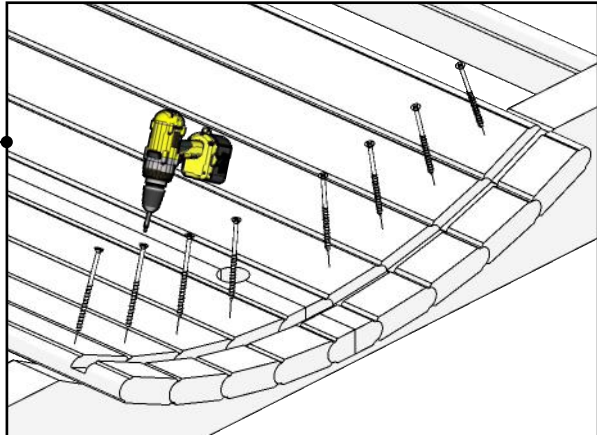




I

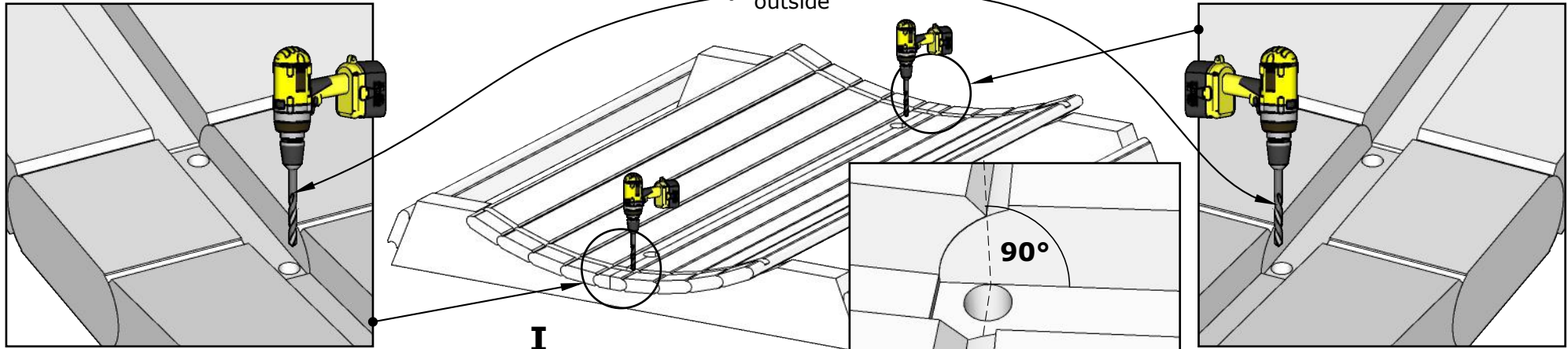


II

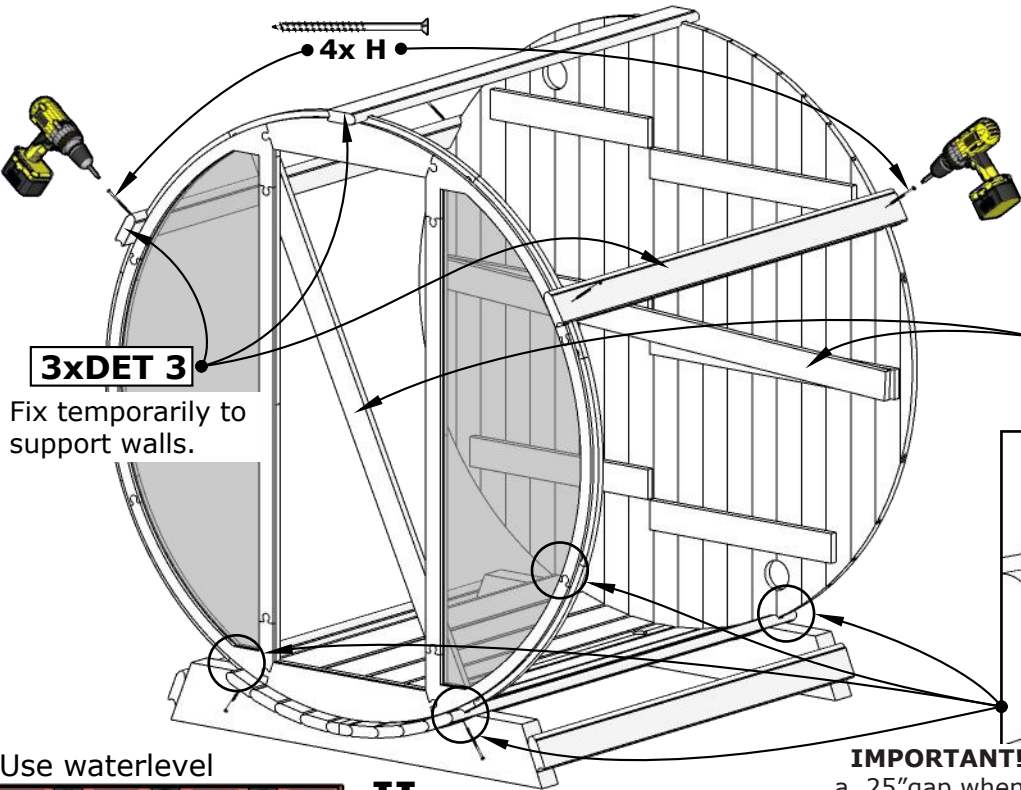


EE8G Barrel Sauna 79D" x 90H"

Drill 4 holes .50" through DET 2 outside



I



3xDET 3

Fix temporarily to support walls.

4x H

Check walls installation manual on extra pages!

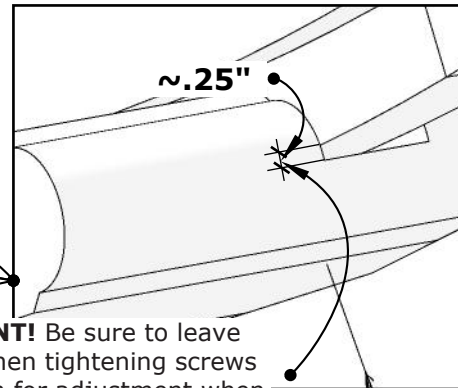
Sauna wall configuration depends on Your model!

Brackets inside

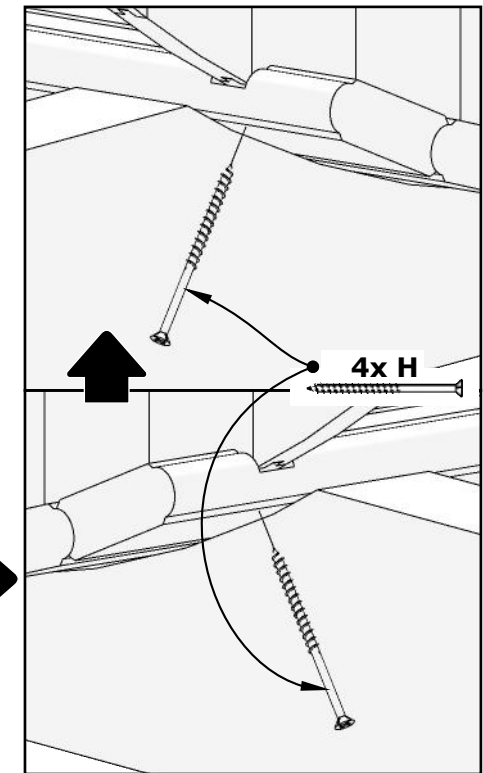
Use waterlevel



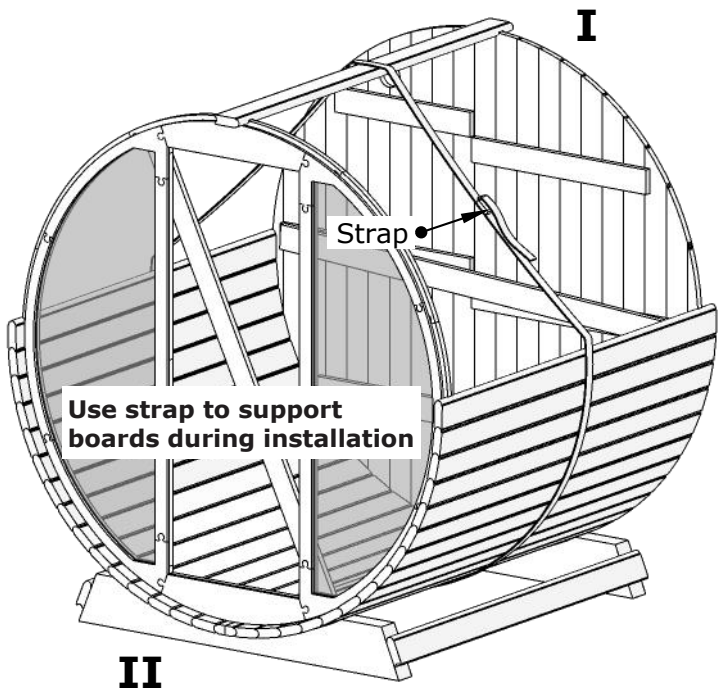
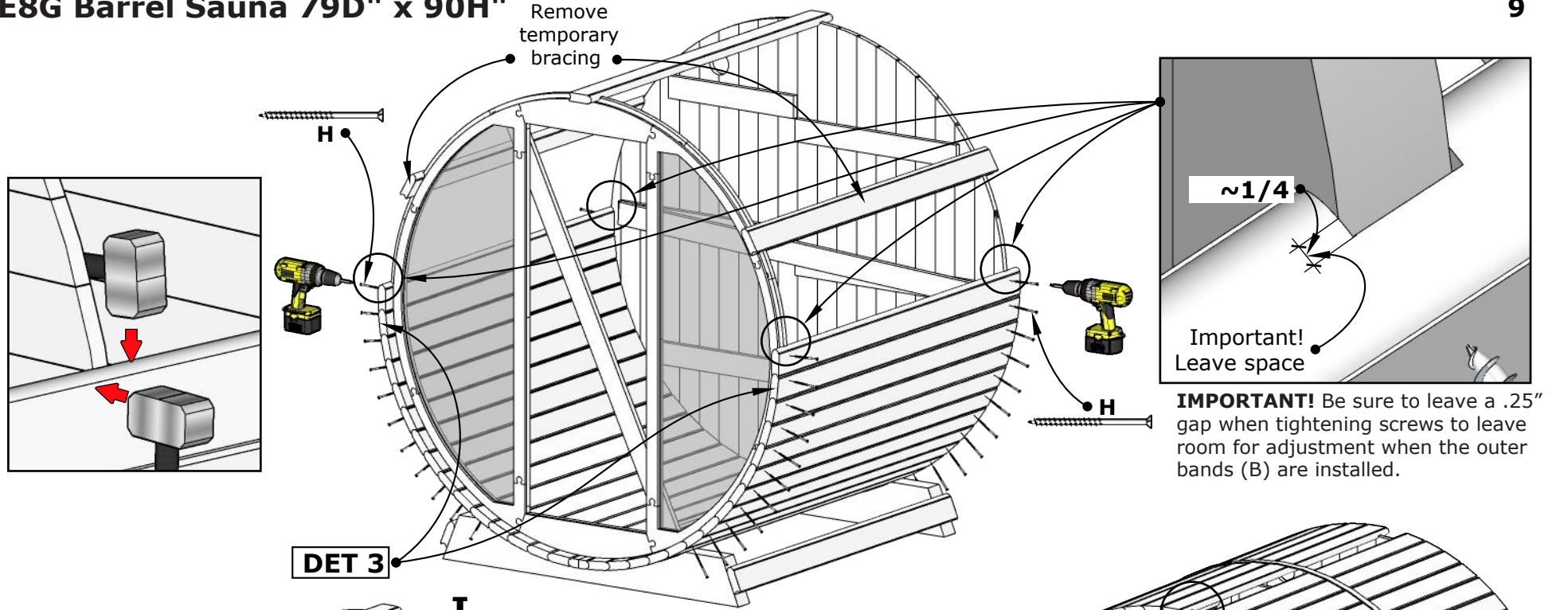
II



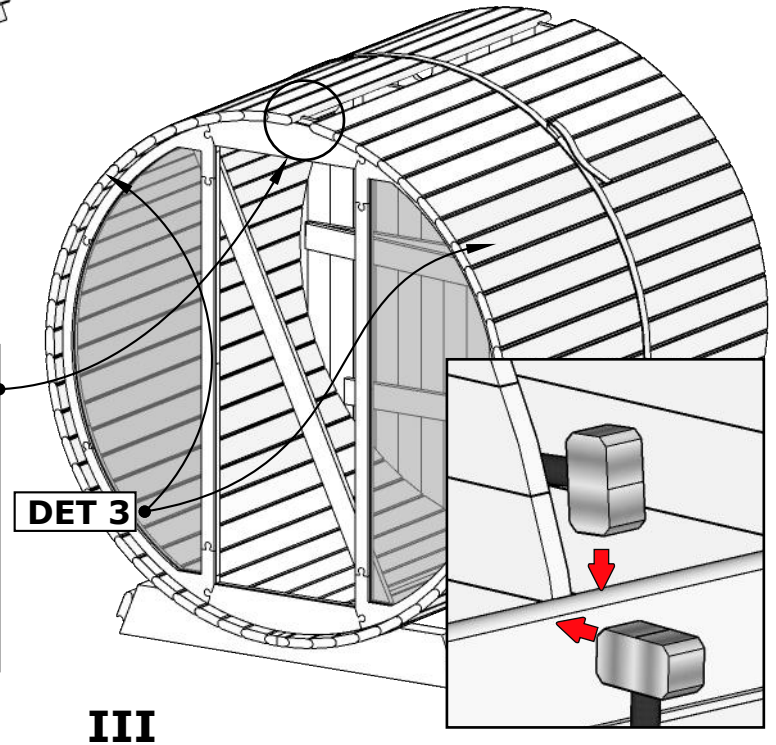
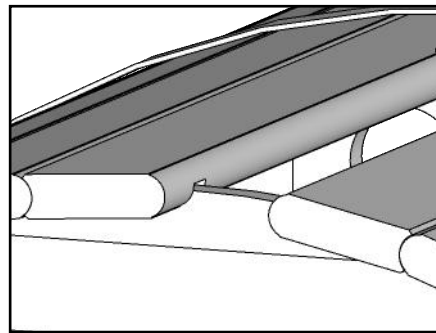
IMPORTANT! Be sure to leave a .25" gap when tightening screws to leave room for adjustment when the outer bands (B) are installed.



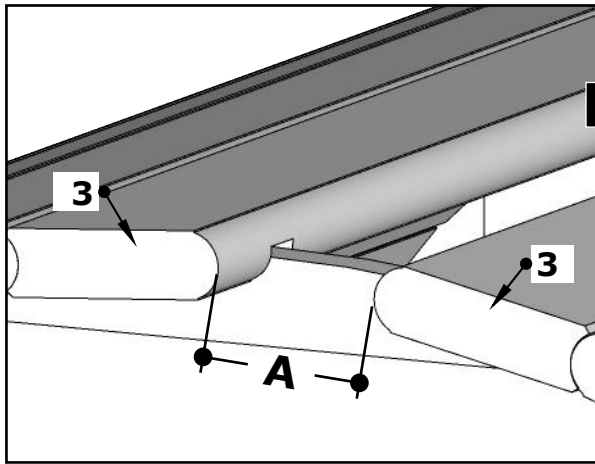
EE8G Barrel Sauna 79D" x 90H"



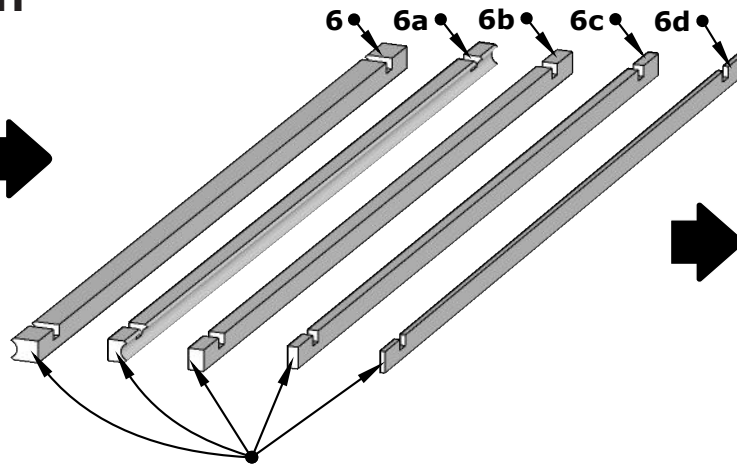
See the next page.



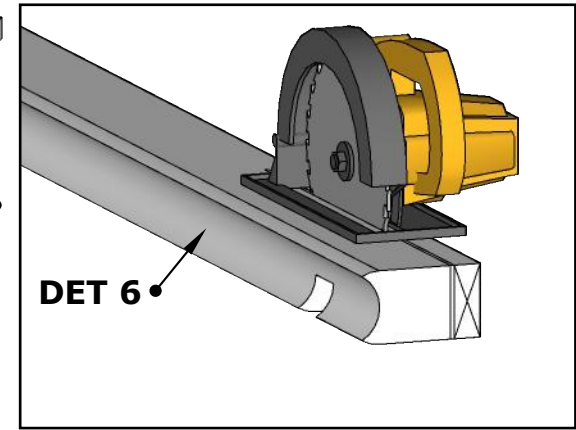
EE8G Barrel Sauna 79D" x 90H"



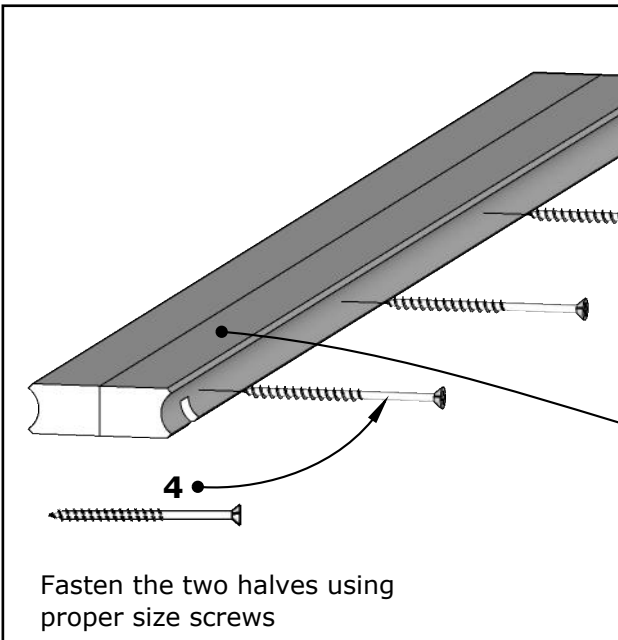
I



Join two boards together (as shown in diagram II) that will bridge the width of the "A" gap. It is recommended that the combined boards are approximately .25" wider than the gap.

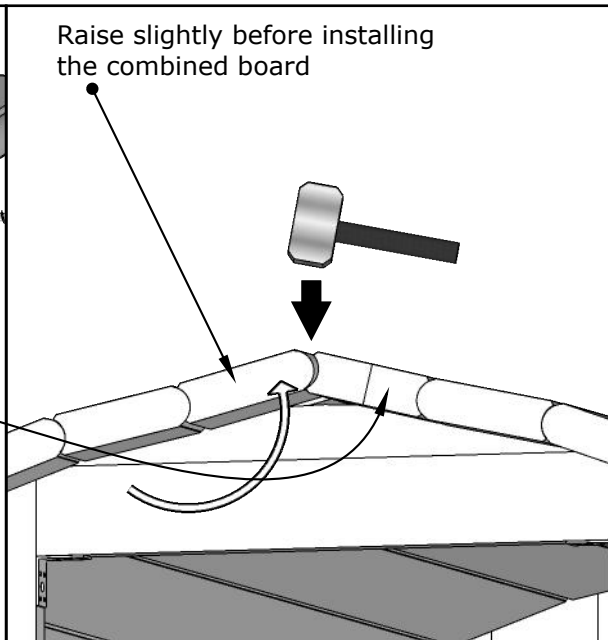


If needed, trim the flat edge of the board to create the desired width.

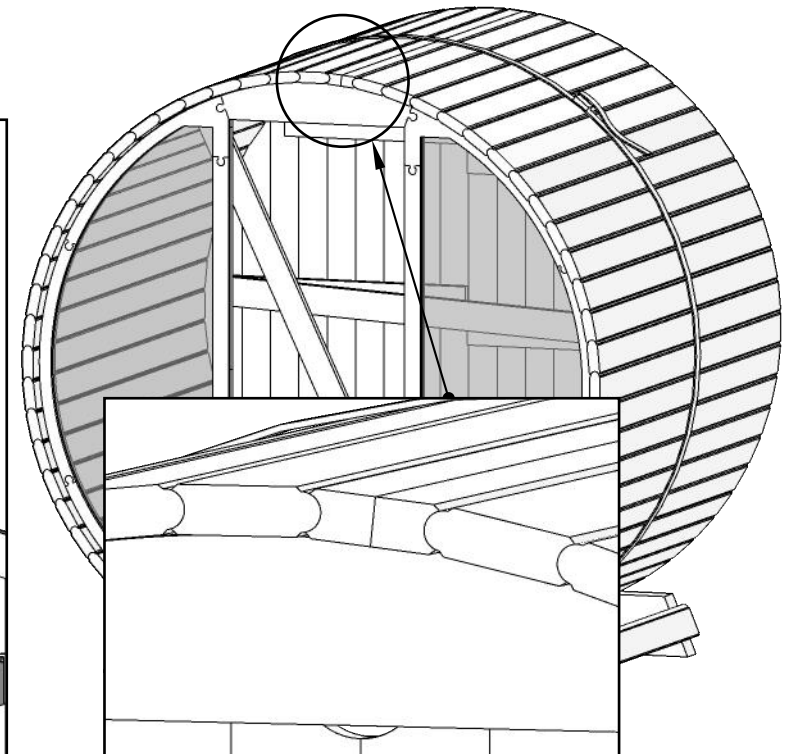


Fasten the two halves using proper size screws

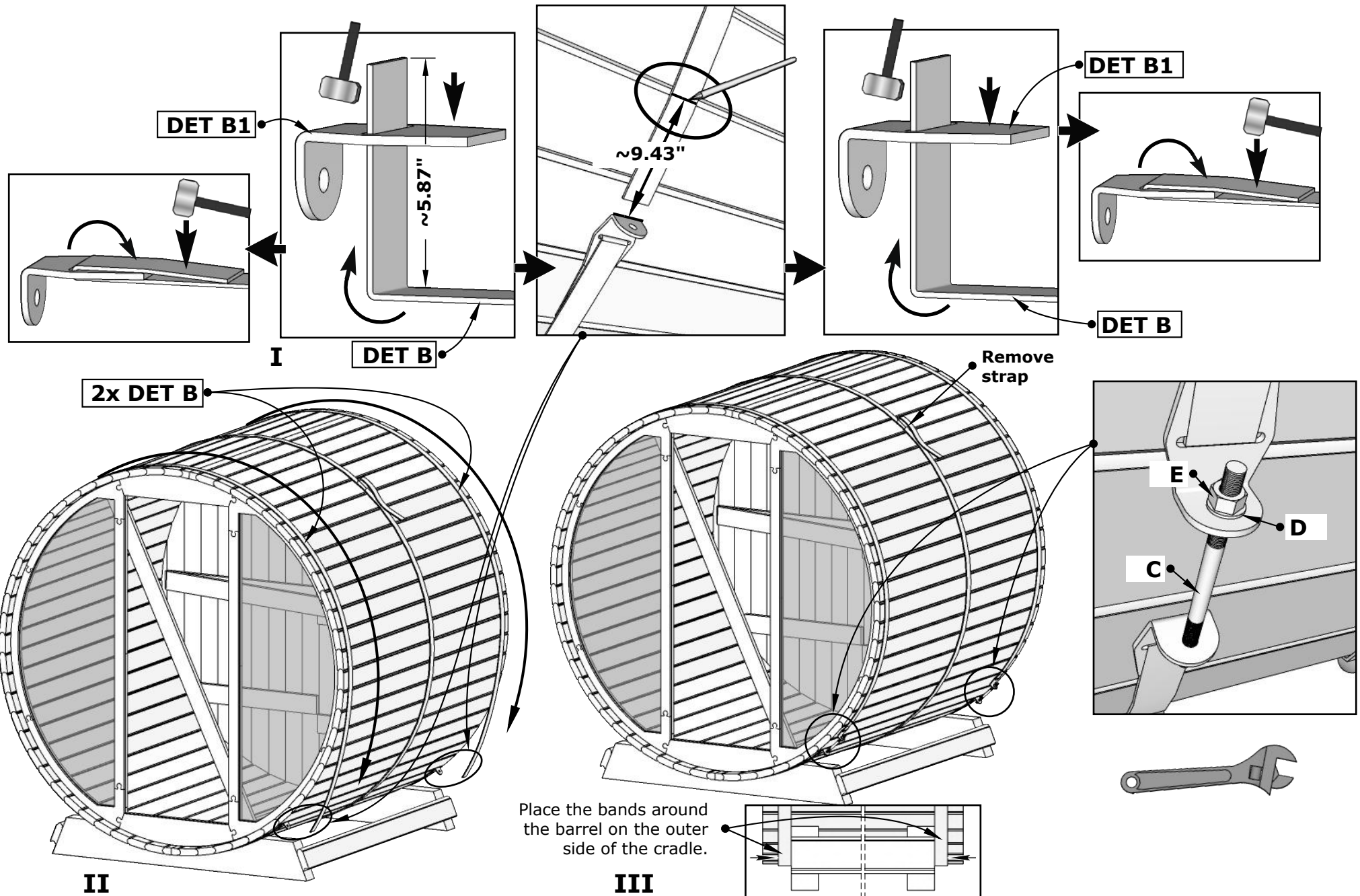
II



Raise slightly before installing the combined board



III

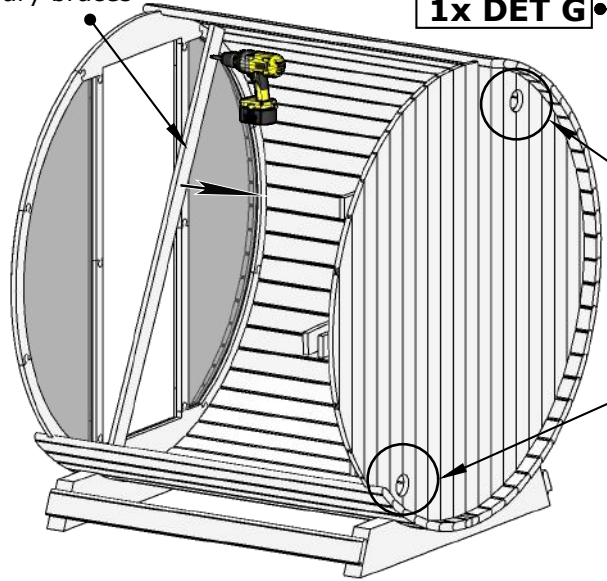
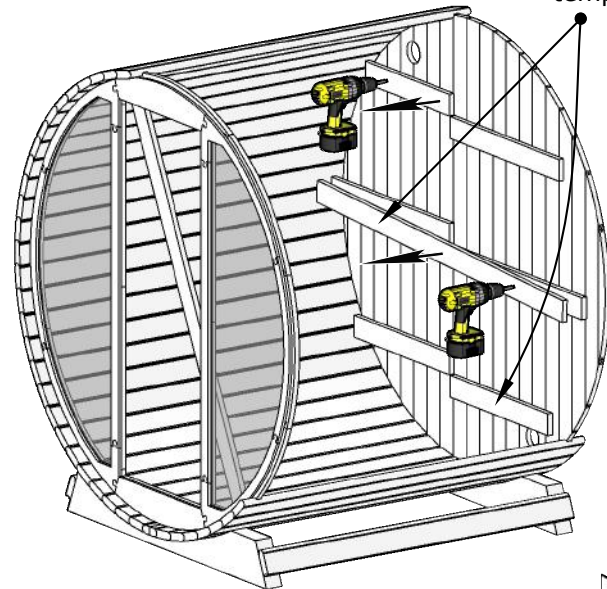
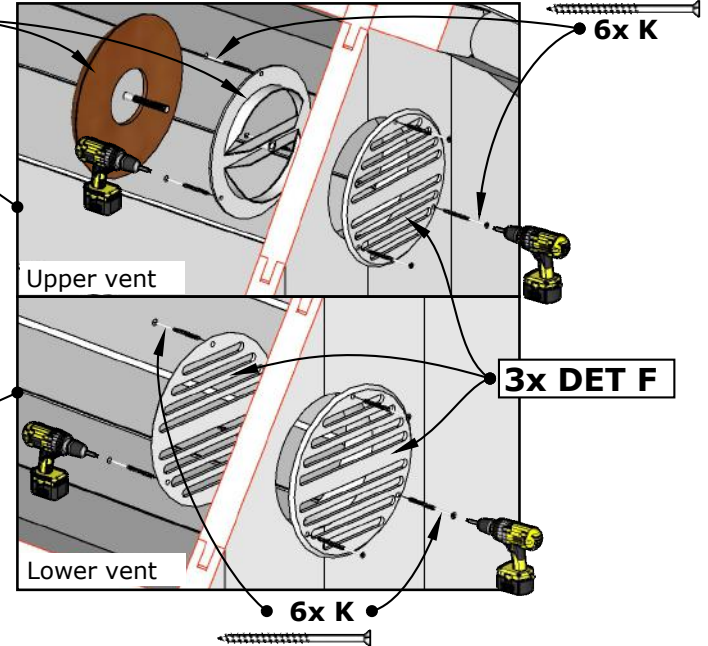


EE8G Barrel Sauna 79D" x 90H"

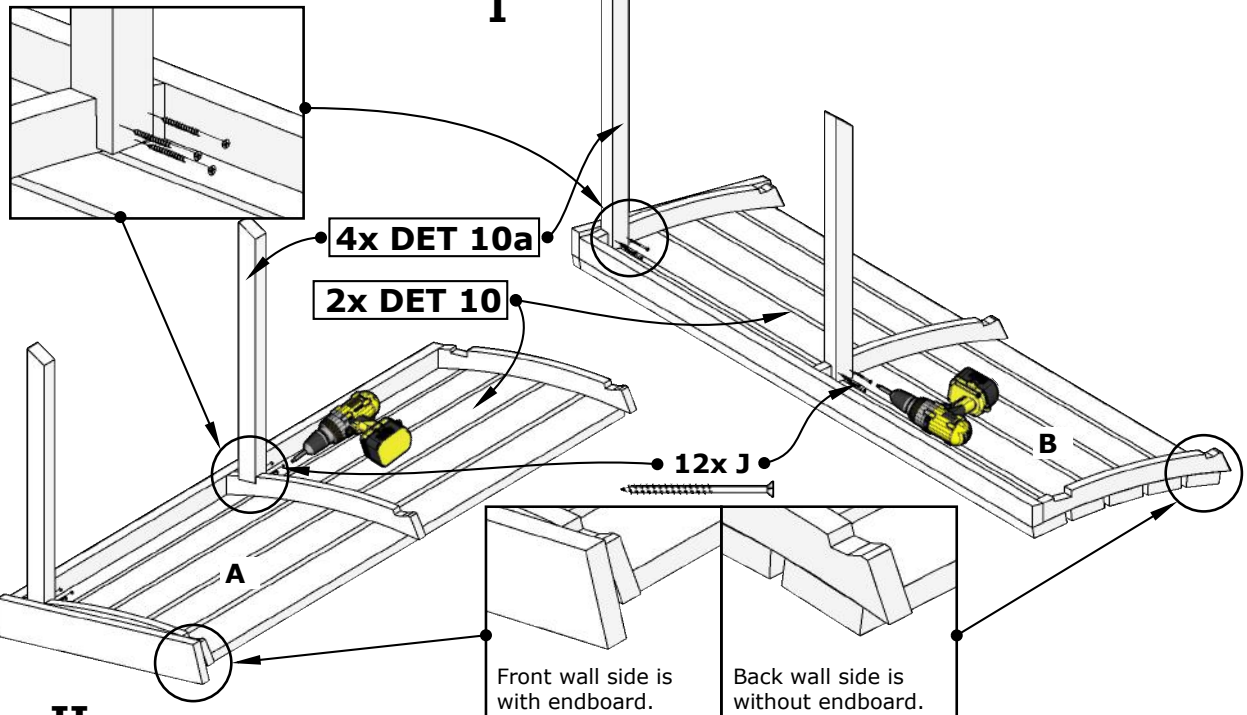
Remove all temporary braces

1x DET G

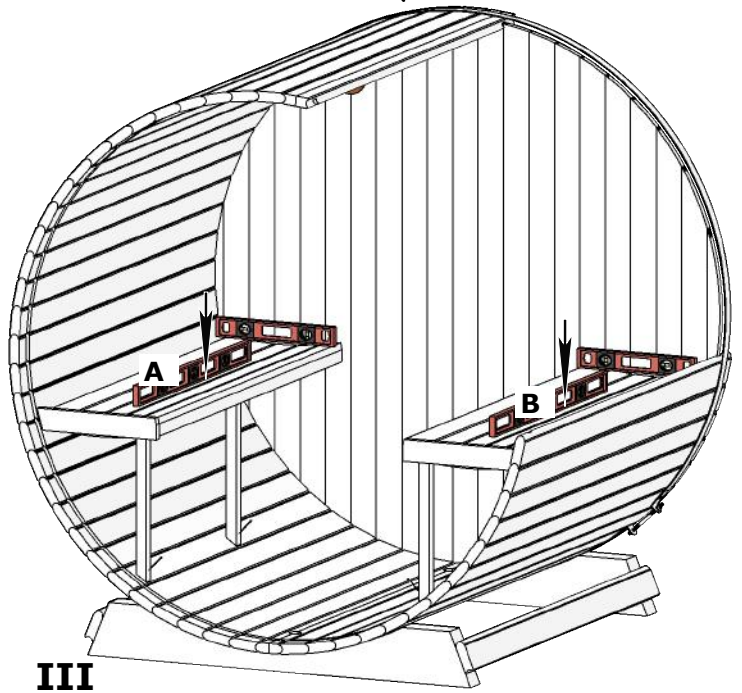
6x K



I



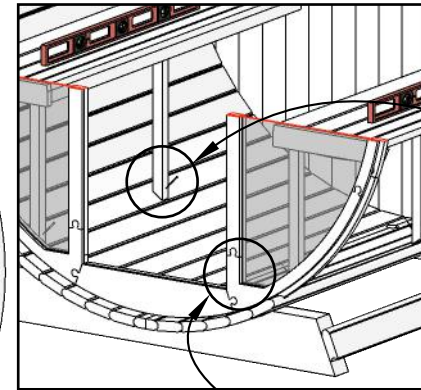
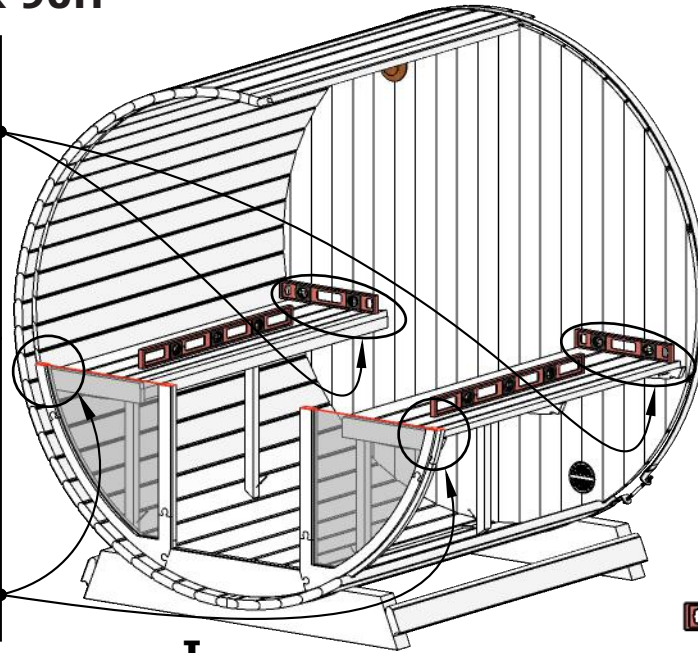
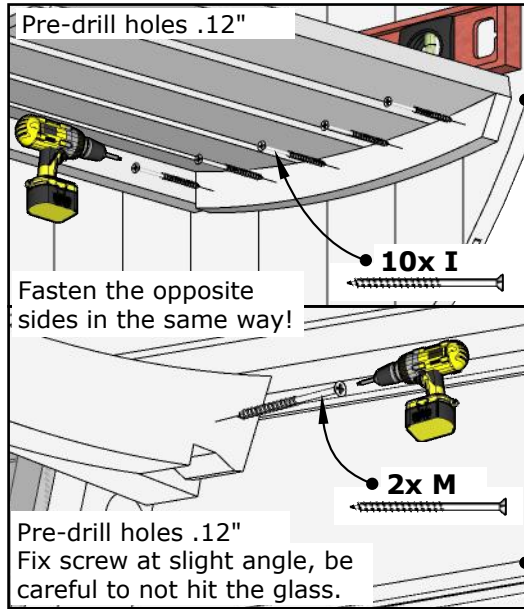
II



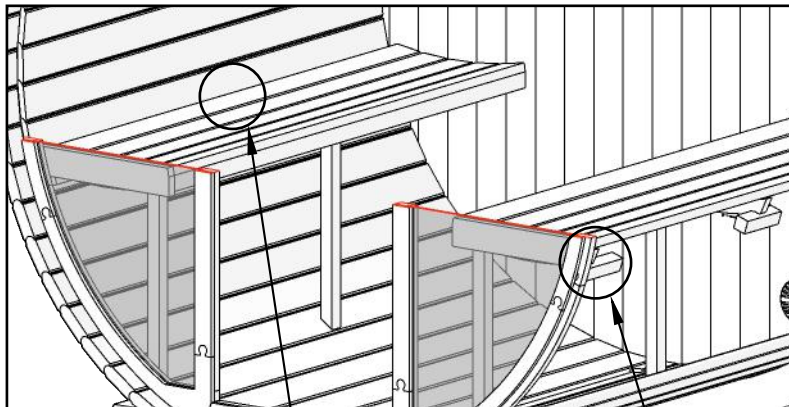
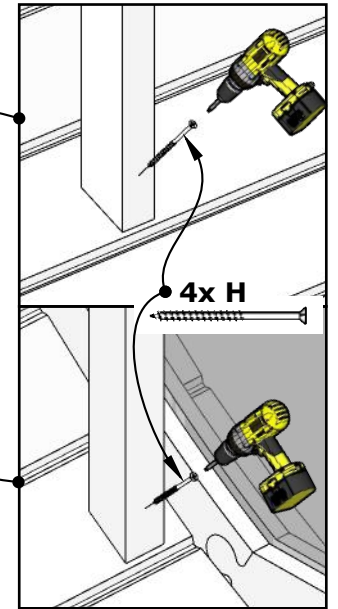
III

EE8G Barrel Sauna 79D" x 90H"

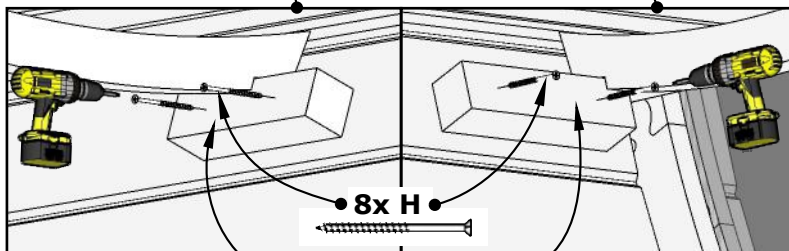
13



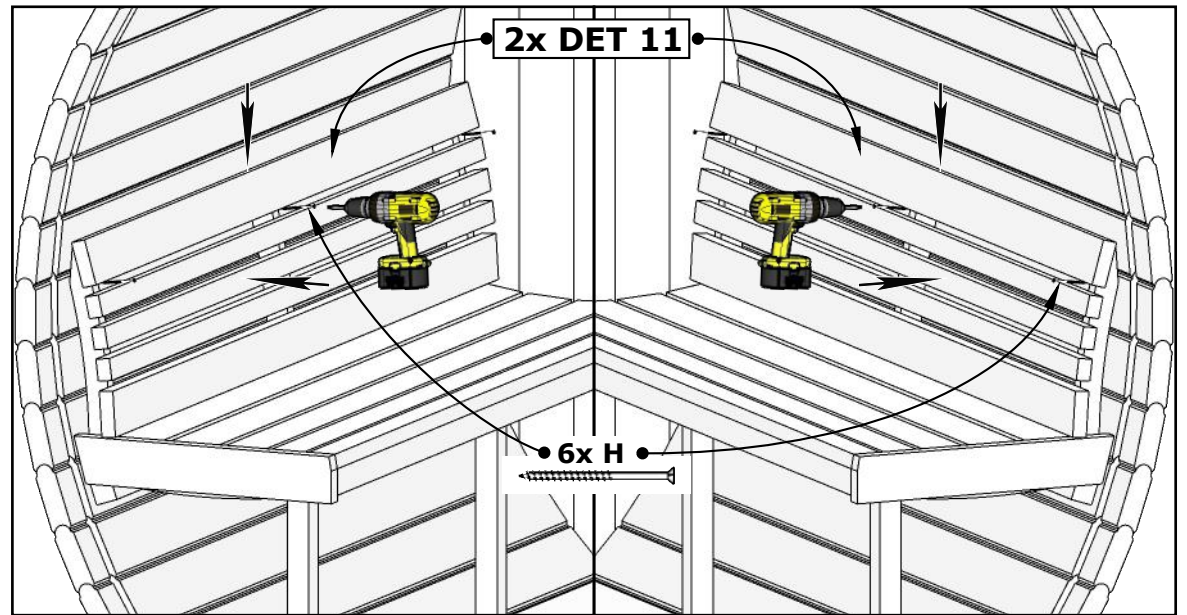
Use level for installation of benches



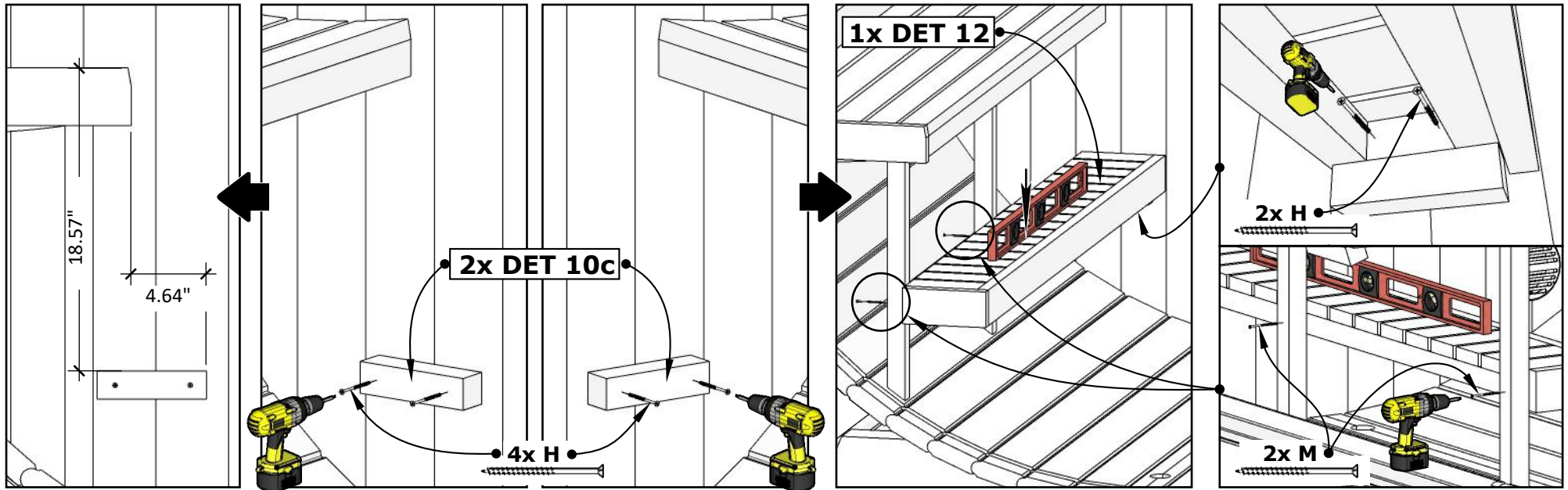
Under the benches



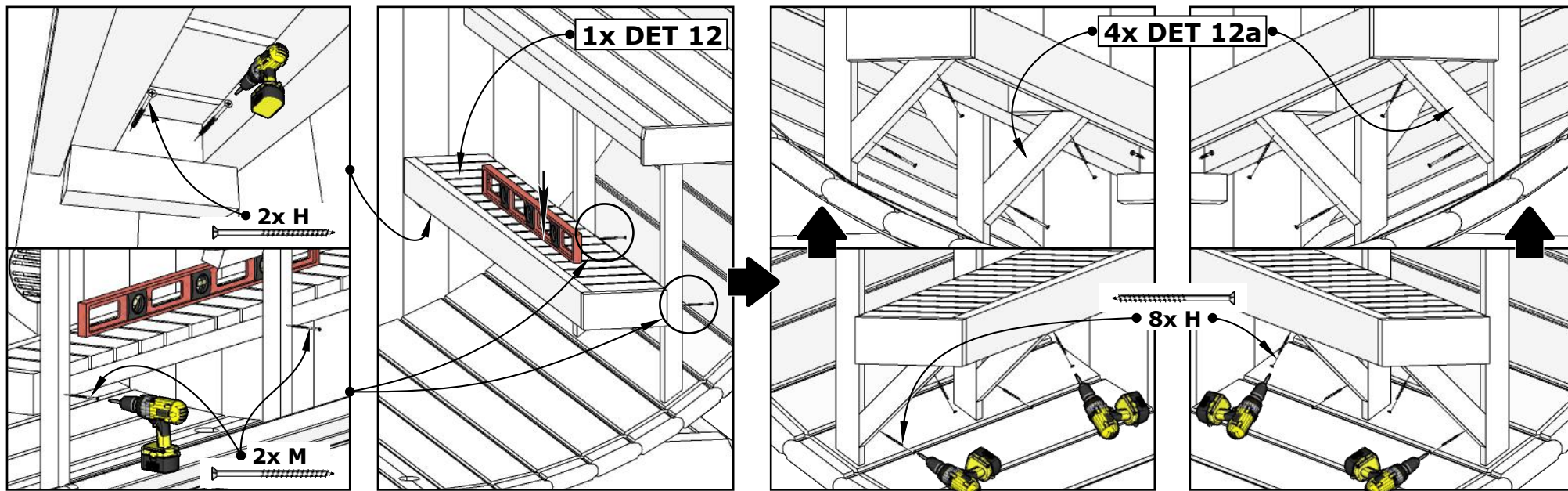
II



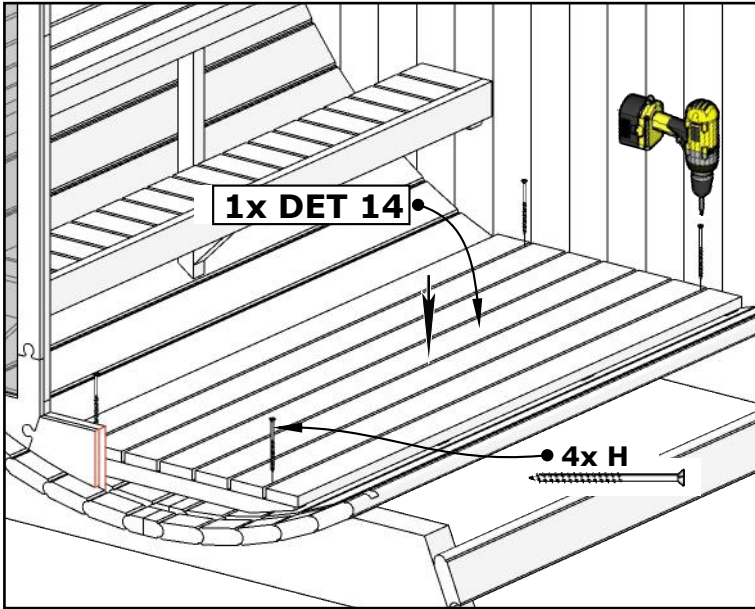
III



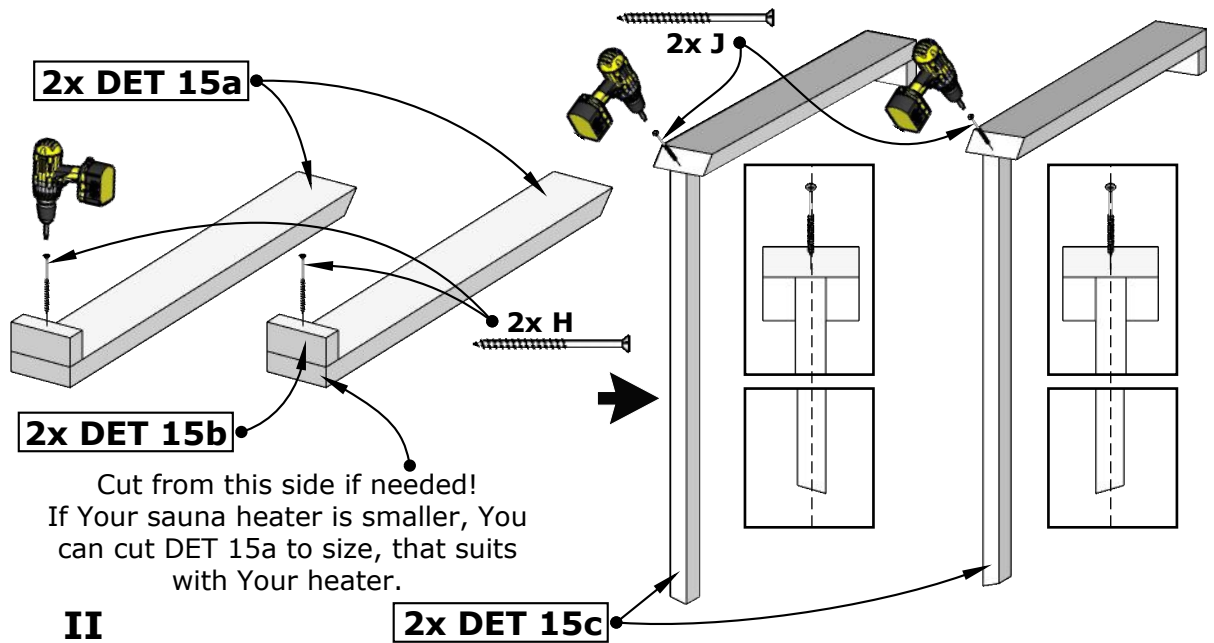
I



II

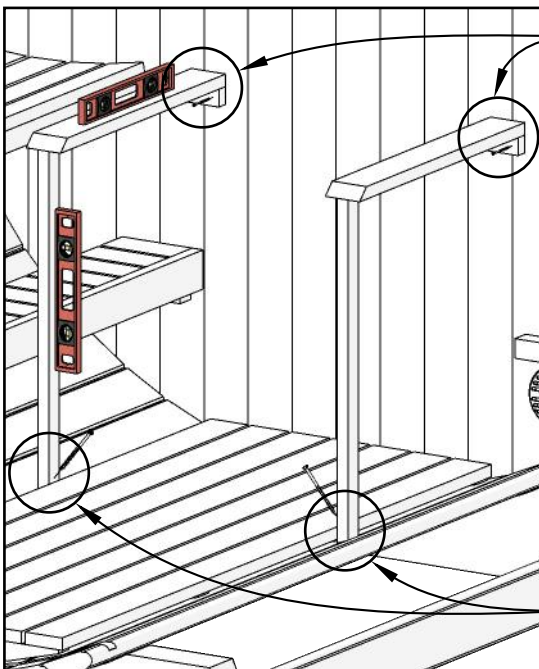


I

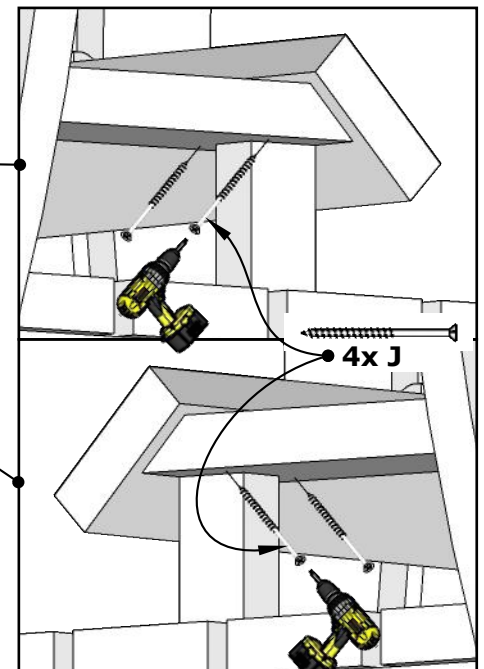
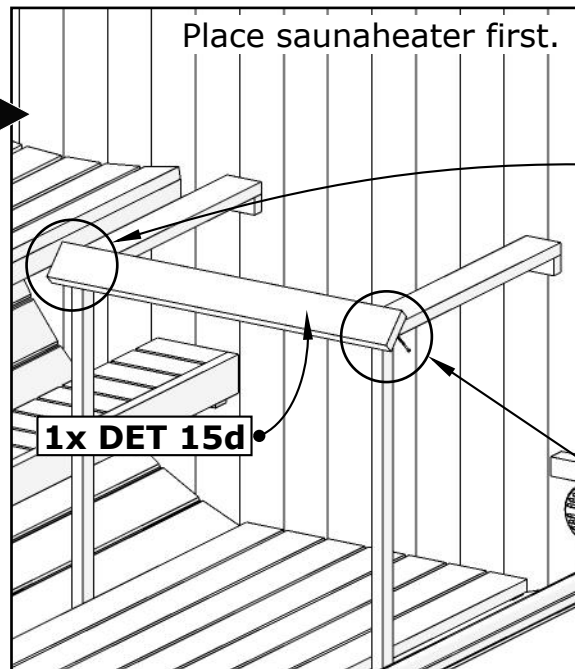
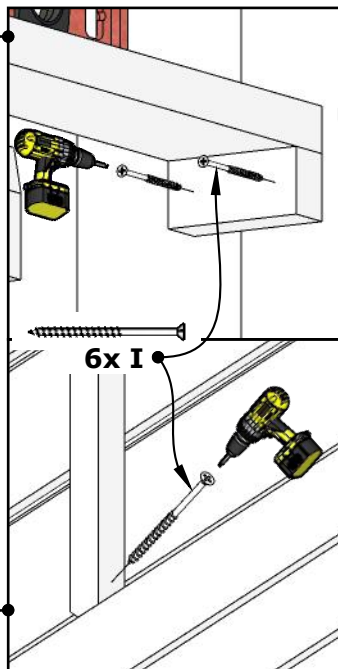


II

2x DET 15c

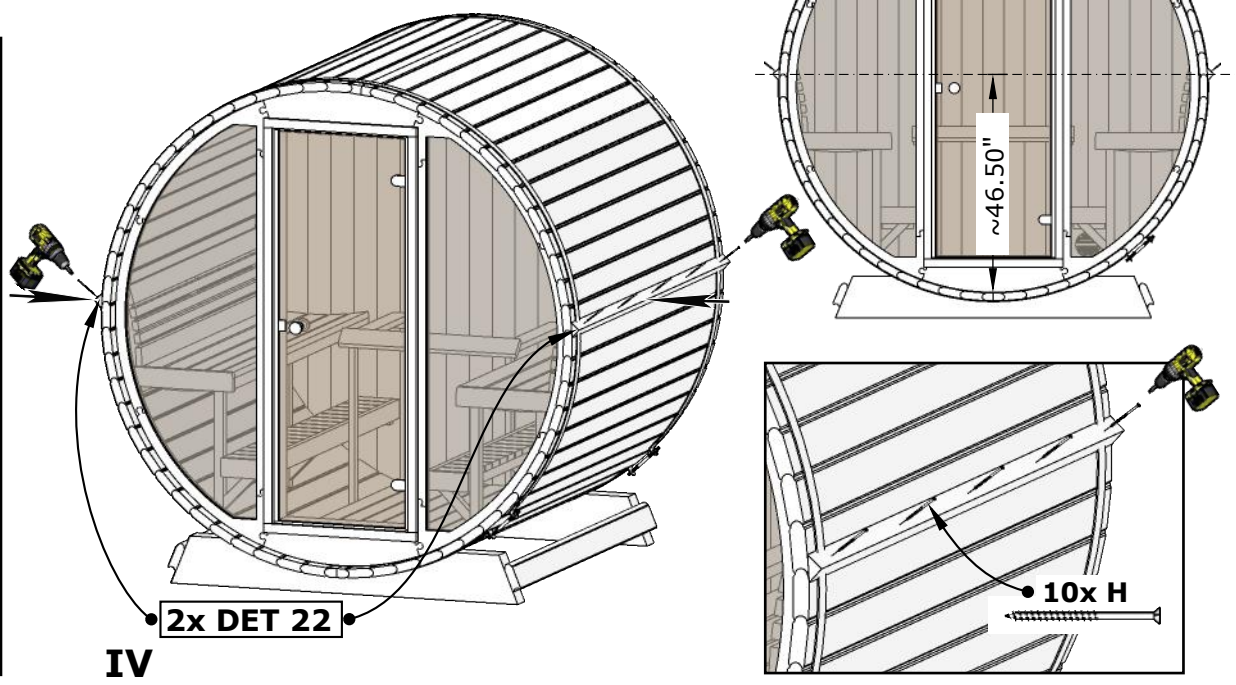
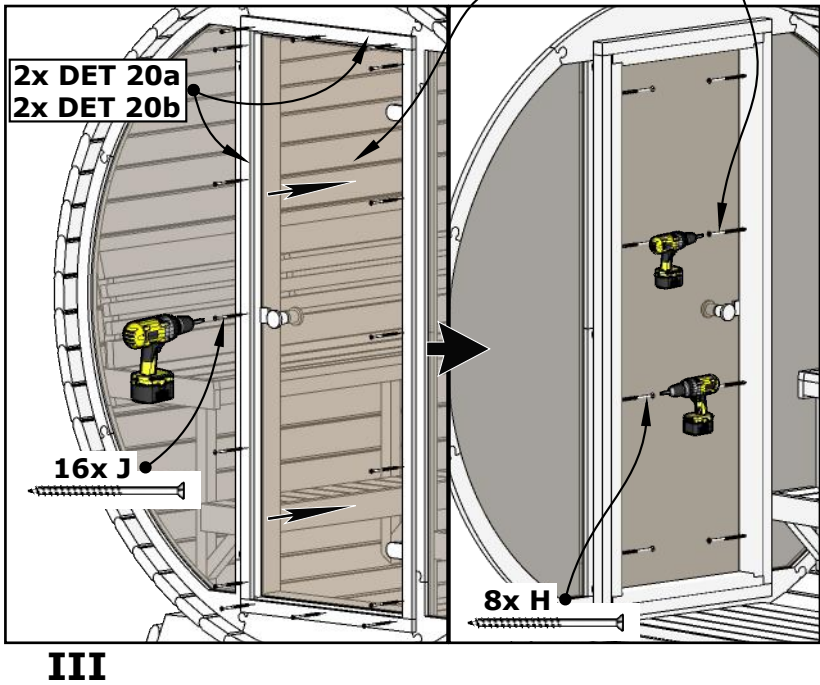
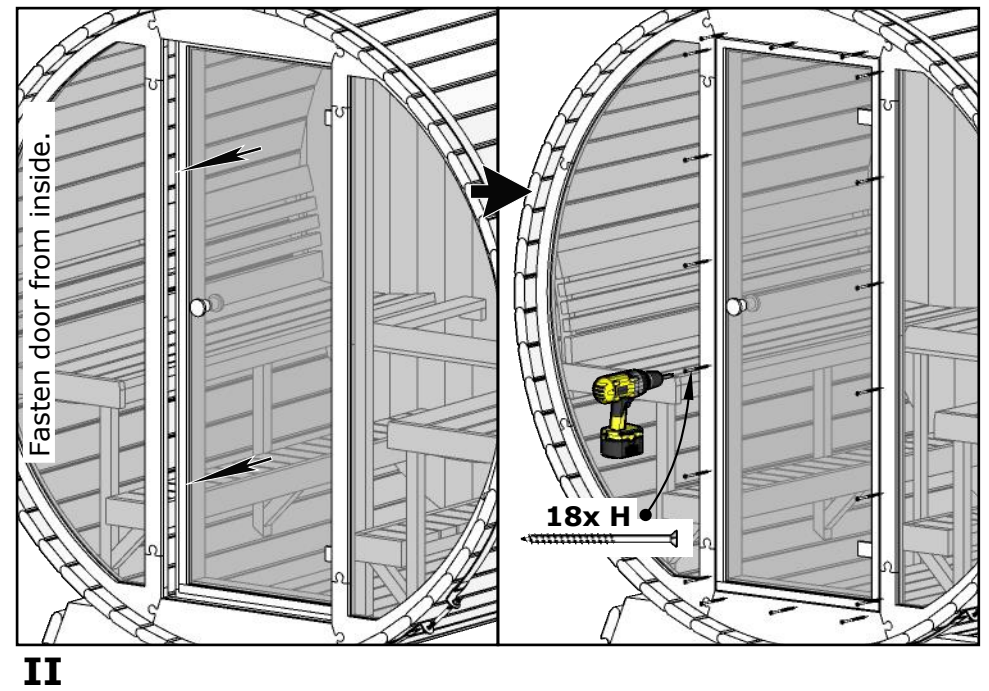
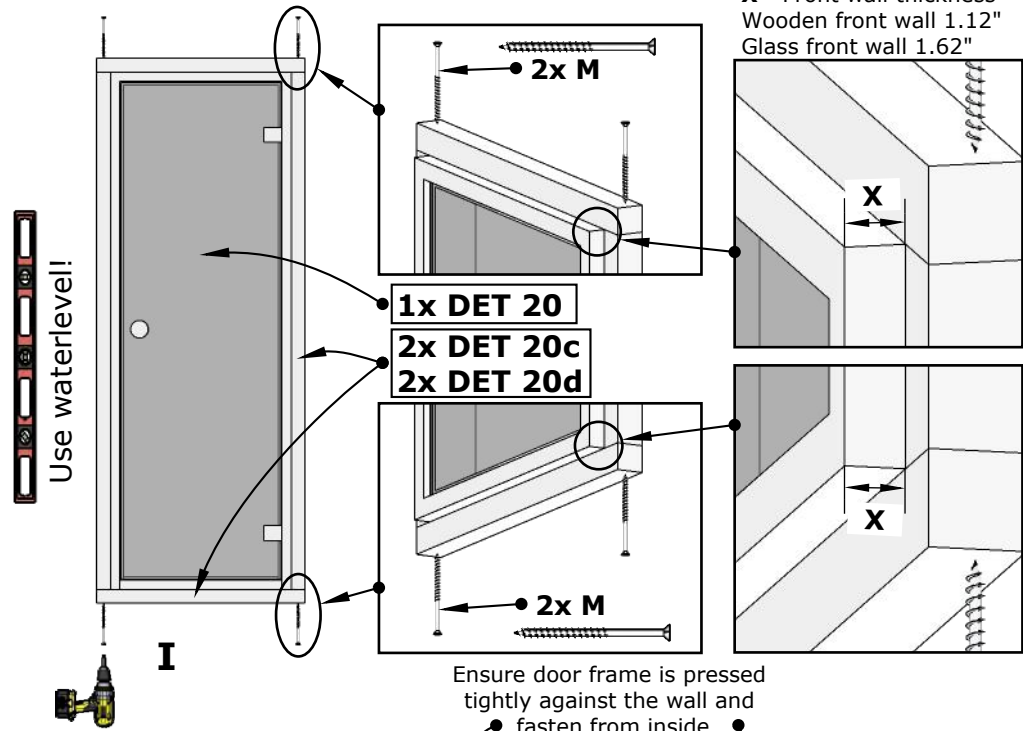


III

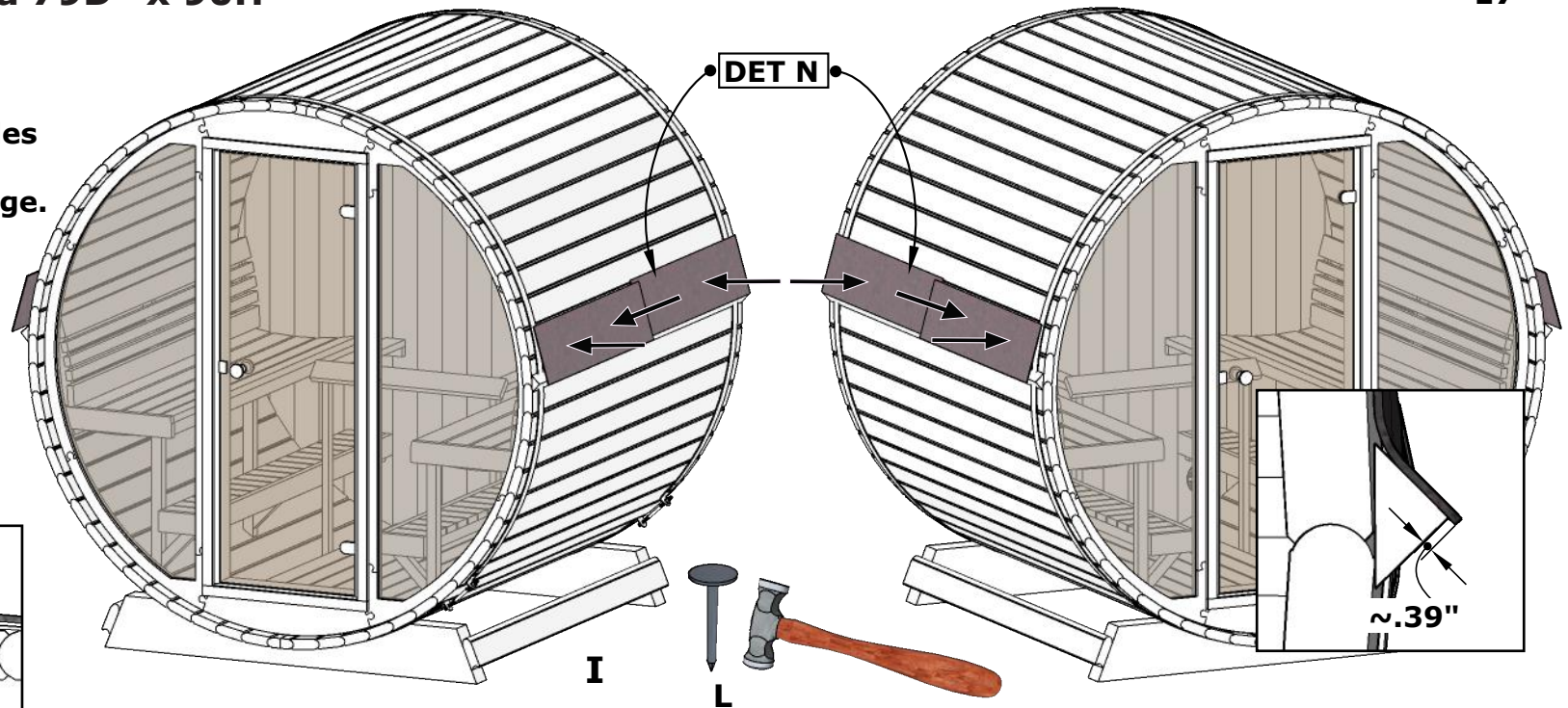


EE8G Barrel Sauna 79D" x 90H"

X= Front wall thickness
 Wooden front wall 1.12"
 Glass front wall 1.62"



NB! Check also shingles installation manual inside shingles package.



Check also roof shingles installation manual inside package.

