

Wood burning heater Harvia 36 Duo steel

WK360SLUX

The Harvia 36 Duo sauna stove is a unique 2-in-1 solution that combines a wood-heated STOVE AND A FIREPLACE. Heating up the stove lets you enjoy the atmosphere in two rooms. Heat up your sauna to bathing temperature and enjoy the pleasant atmosphere of the fireplace at the same time. The wood-heated stove creates a traditional sauna atmosphere and gives off great steam. After the sauna, you can enjoy the afterheat in the fireplace room, cook sausages and enjoy refreshments... and then hit the sauna again. The outer casing of the durable and impressive Duo stove is made of high-quality stainless steel. The stove features a large and stylish steel-framed glass door. The product is of guaranteed Harvia quality.



Features

Main material : Steel

H x W x D : 810.0 x 510.0 x 790.0 mm

Net weight (kg) : 78.1

Stone amount (kg) : 60.0

ID	GTIN	Power	Sauna room size min - max m3
WK360SLUX	6417659001144	31 kW	14.0-36.0

Spare parts

Product	ID	Pcs
Stainless steel frame for Duo-stoves	WX044	1
Furnace grate	ZKIP-10	1

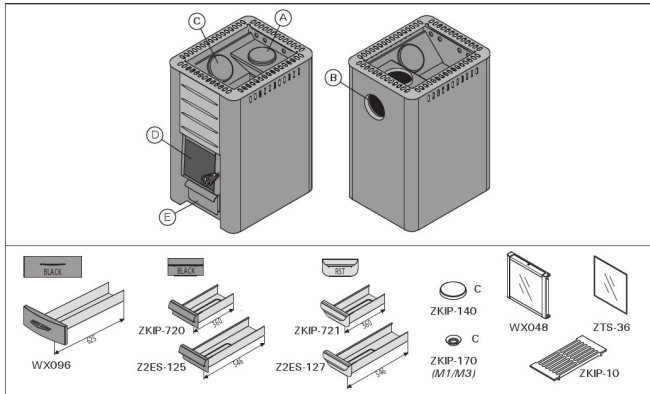
Technical details

Technical data	Type / attribute	WK360SLUX
	Color	Black
	Power output	31 kW
	Stone sizes	10-15 cm
	Stone amount (kg)	60
Dimensions	Product width (mm)	510
	Product height (mm)	810
	Product depth (mm)	790
	Net weight (kg)	78.1
	Gross weight	80.5
	Package width	800
	Package height	985
	Package depth	605
Connections	Flue connection locations	Top
	Chimney connection diameter	115
Safety and installation dimensions	Safety distance front (non-combustible materials)	500
	Safety distance front (combustible materials)	500
	Safety distance right side (combustible materials)	500
	Safety distance right side non-combustible materials	100
	Safety distance left side (combustible materials)	500
	Safety distance left side non-combustible materials	100
	Safety distance behind (non-combustible materials)	100
	Safety distance behind (combustible materials)	500
	Safety distance (Ceiling) (depends on connections and therefore from output, star/delta)	1250
Room min. height (depends on connections and therefore from output, star/delta)	2060	

Technical images

1.1. Stove Parts

- A. Upper connection opening
- B. Rear connection opening
- C. Soot opening
- D. Stove door
- E. Ash box



Stove parts. Note! Only use replacement parts recommended by the manufacturer. Unauthorised modification of the stove is prohibited.

	A min.	B min.	C min.	D min.
M1, M2, M3-SL, Classic 140	1200	250	300	300
20 Pro, 20 SL Duo, 20 ES Pro, 20 SL Duo, 20 SL Boiler, Premium VS, Classic 220 Duo, 20 RS/LS Pro	1300	300	300	300
26 Pro, Classic 280	1280	375	375	375
36, 36 Duo	1250	500	500	500
Linear 16, 16	1300	300	350	400
Linear 22, 22 S, Linear 22 RS/LS ES, 22 RS/LS ES S	1265	400	380	500
Linear 28	1380	400	400	500

Safety distances (all dimensions in millimeters)

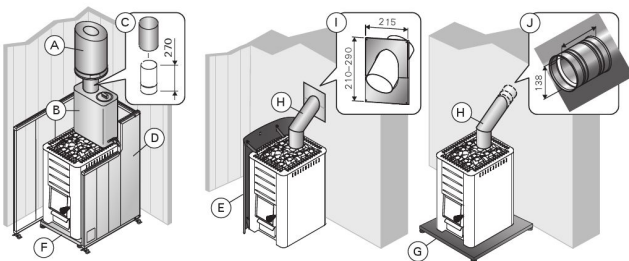
WX017	B min.
M1, M2, M3-SL, 20 Pro, 20 SL Duo, 20 ES Pro-S, 20 Boiler, 20 SL Boiler, Premium, Classic 140-SL, Classic 220 Duo	300
26 Pro, Classic 280	375
Linear 16, 16	300
Linear 22/28, Linear 22 ES, 22 ES S, 22 S	400

WL400/WL450	M1, M2, M3-SL	B min.	C min.	D min.	F
20 Pro-SL Duo	50	50	300	30	
WL500/WL550	20 Pro-SL Duo	62	62	422	30
20 Boiler, 20 SL Boiler					
WL600/WL650	20 ES Pro-S	73	73	526	30
WL700/WL750	26 Pro	90	90	700	30
WL800/WL850	36, 36 Duo	62	62	422	30
WL500/WL590	20 RS/LS Pro	30	30	400	32
WL425/WL475	Linear 16, 16				
WL525/WL575	Linear 22, 22 S				
WL525/WL585	Linear 22 RS/LS, 22 RS/LS S	70	70	500	40
WL530/WL580	Linear 22 ES, 22 ES S				
WL725/WL775	Linear 28				

Safety distances with protective sheaths (all dimensions in millimeters)

3.4. Accessories

- A. Harvia steel chimney WHP1500.
- B. Water heater VL221. Installed on the top of the upper connection opening. When a protective sheath or other protection is used that is not large enough to protect the inflammable materials around the stove from the heat radiation of the pipe between the water heater and smoke flue, you must install a radiation cover around the pipe.
- C. Radiation cover WZ020130. Installed around the smoke pipe.
- D. Harvia protective sheath WX017.
- E. Harvia protective sheath WL400-WL775.
- F. Harvia protective bedding WX018, WL100. (not for models 20 RS/LS Pro, 36, 36 Duo, Premium VS, Linear 22 RS/LS, 22 RS/LS S).
- G. Harvia protective bedding WL110 (not for models 20 ES Pro/S, Linear 22 ES, 22 ES S).
- H. Angle smoke pipe. Different models.
- I. Lead-through flange for smoke pipe WZ020115. Covers the edges of the flue opening and the sealing in the wall. Made of stainless steel. Consists of two parts to make it useable with differently inclined smoke pipes.
- J. Masonry connector WZ011115. Connected to the flue opening, does not require other seals. The inner side already has a seal.



Accessories (all dimensions in millimeters)