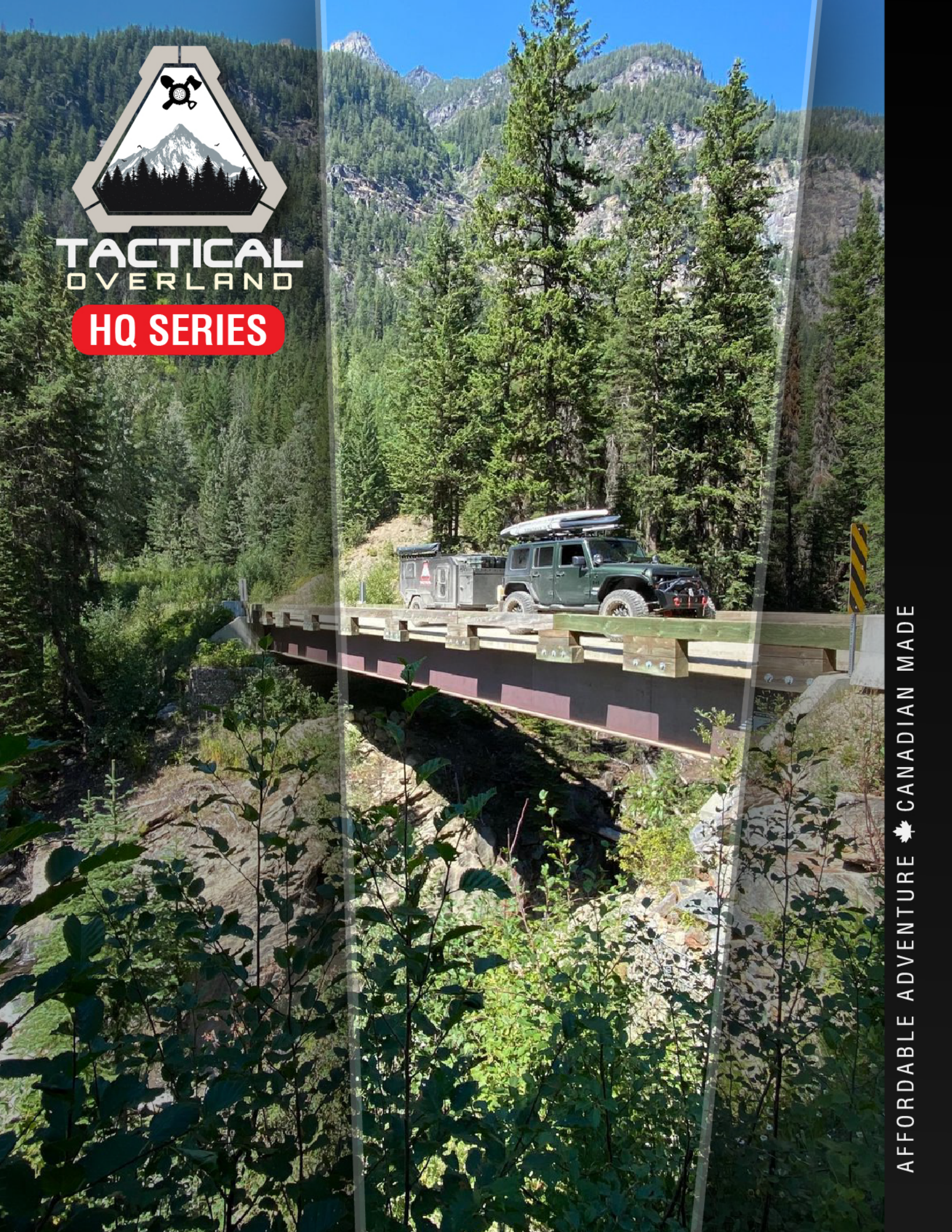




**TACTICAL  
OVERLAND**

**HQ SERIES**



AFFORDABLE ADVENTURE \* CANADIAN MADE



TACTICAL  
OVERLAND

# HQ

SERIES



## ALL COMPOSITE COMPONENTS, NO WOOD



With aluminum and composite material construction, the trailer is ready to be part of your next adventure. With an independent suspension, the HQ is durable enough to handle rough roads, yet light enough that a small SUV can pull it.

HQ Series rugged off-road trailer has all the baseline luxuries you need without sacrificing the camping experience you seek.



FOLLOW US ON IG  
[@tacticaloverland.ca](https://www.instagram.com/tacticaloverland.ca)



# AFFORDABLE ADVENTURE!



One of the most affordable overland trailers on the market and light enough to pull behind even the smallest of vehicles - with no compromise to quality and functionality.

Our goal is to provide a camper that is always ready to go so that you can spend more time camping, and less time packing. Trailers with very short setup time that can carry all your gear for a weekend adventure or an entire year long expedition.



## STANDARD HQ FEATURES INCLUDE:

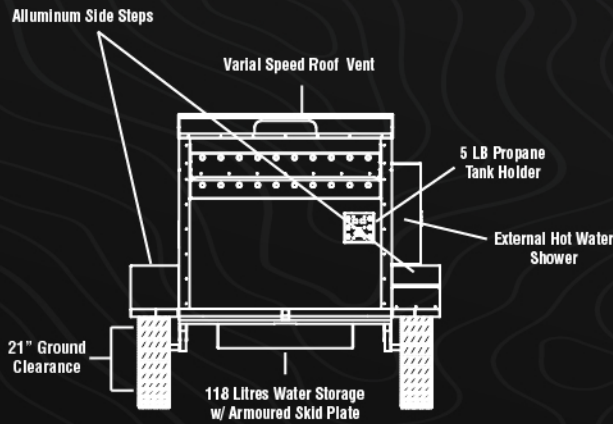


Engineered Steel Frame - Timbren 3500HD Axle Less Suspension - 6 on 5.5 Hubs including electric brakes - Aluminum Construction Sleeping Area - Front Storage Rack - 3 Speed RV Vent/Fan - LED Lighting System Inside and Out - Custom Cell Phone Shelf/Charging Station - Custom Pull Out Stainless Steel Kitchen with running hot/cold water - Dometic Dual Burner Propane Stove - 72 Liter Fresh Water Tank - Electric Water Pump - Hot Water On Demand Unit - External Shower - 50L Alpicool T50 Dual Zone Portable Fridge with custom fridge pullout tray - Break Away Trailer Activation Switch - 7 Pin Trailer Connection - 5 T-bolt Style Roof Rack to support RRT - 2 USB Charging Ports - Solar Ready - 10LB Propane Tank Holder - Shore Line Cconnection - 54"x75"x4" Memory Foam Mattress

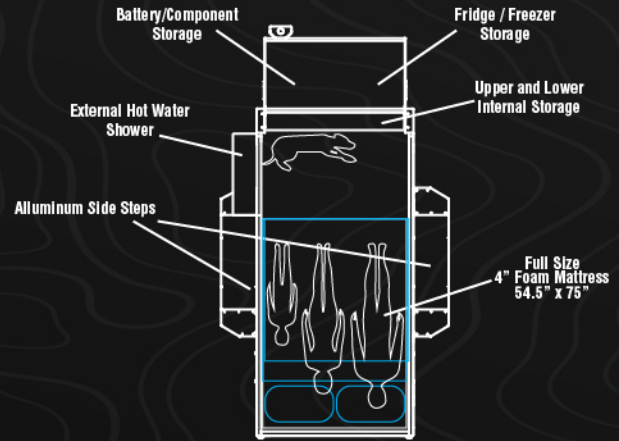


# THE HQ OVERLANDING TRAILER

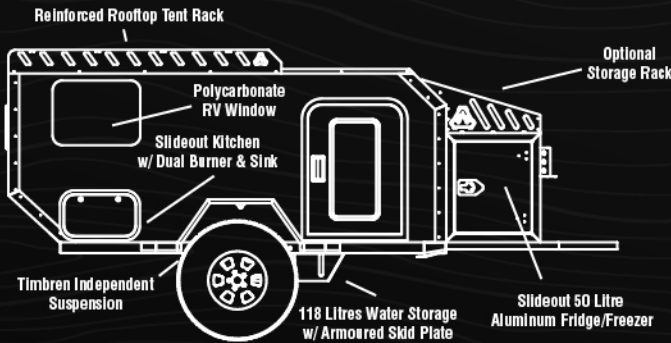
**FRONT VIEW**



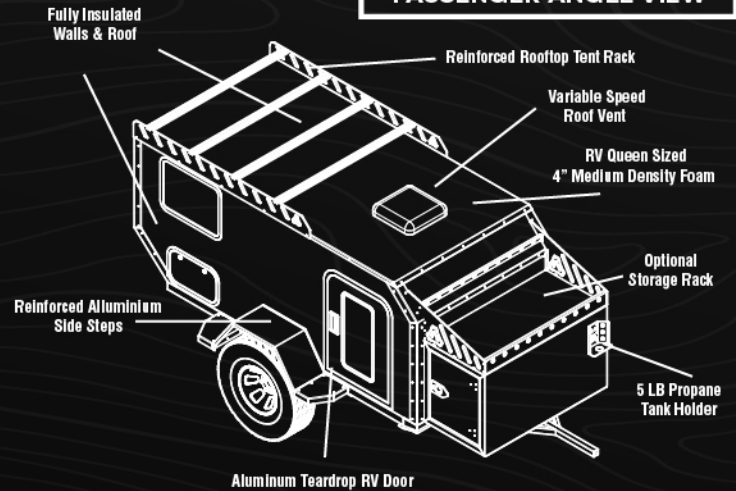
**TOP VIEW**



**PASSENGER SIDE VIEW**



**PASSENGER ANGLE VIEW**



**Dry Weight:** 1,850 LBS  
**Tongue Weight:** 10-15% GVW  
**Max GVW:** 3,500 LBS  
**Overall Width:** 84.75"  
**Overall Length:** 177.5"  
**Overall Height:** 79"  
**Wheel Base:** 107"  
**Track Width:** 71"  
**Departure Angle:** 45°

**Ground Clearance:** 15"  
**Interior Head Room:** 45.75"  
**Interior Length:** 117"  
**Interior Width:** 54.5"  
**Fresh Water Capacity:** 72 Litres  
**Mattress Size:** (54"x 75")  
**Interior cabinets:** C1 - 10D x 16H x 54W  
 C2 - 10D x 10H x 54W  
**Under Bed Storage:** 12.25H x 18.5L x 38W  
 12.25H x 18.5L x 54.5W

EST. 2021



TACTICALOVERLAND.CA