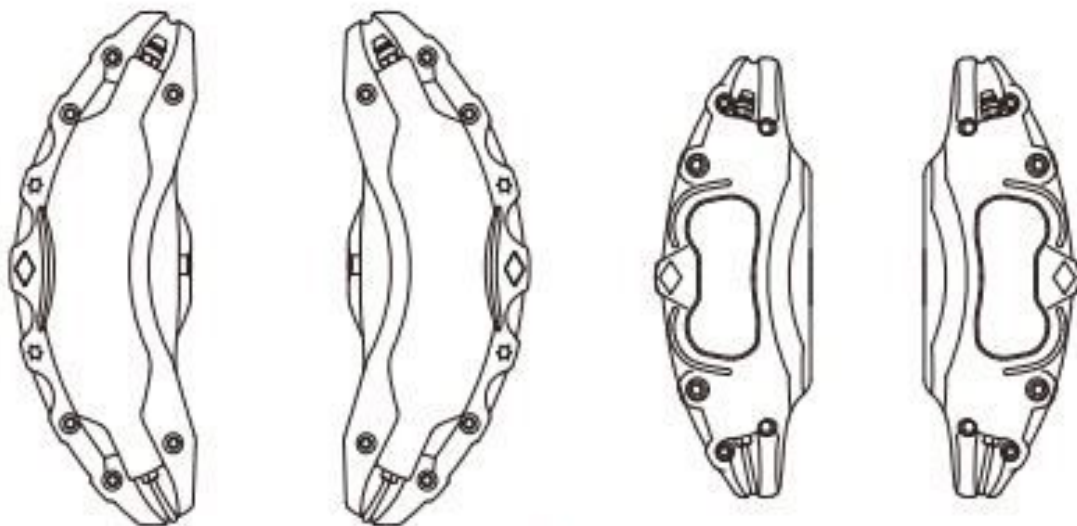
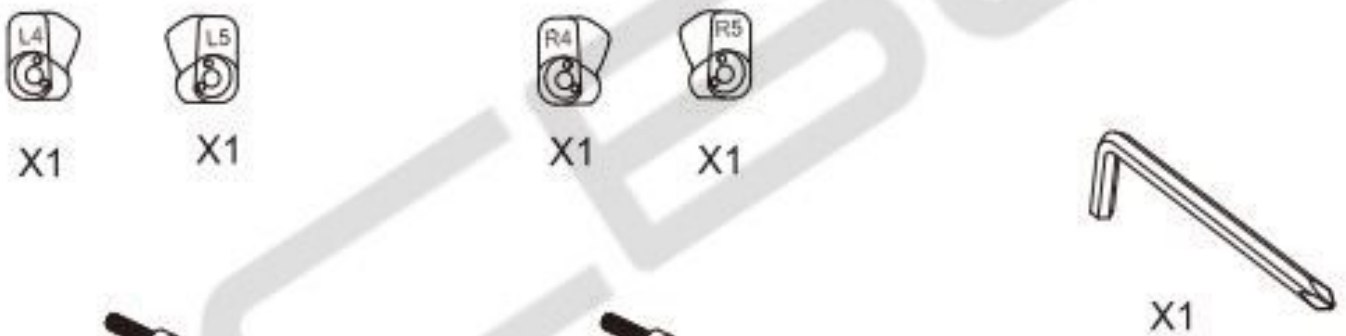
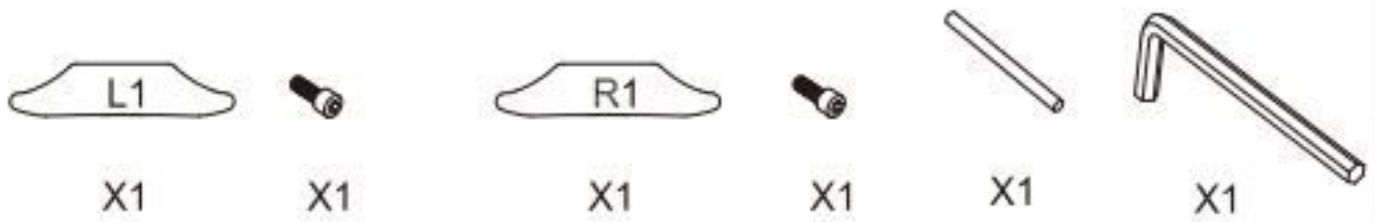




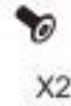
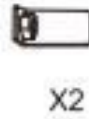
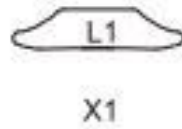
Caliper Cover Installation Manual

Model Y

Please check all parts are included in the package before installation. Contact us if anything is missing.

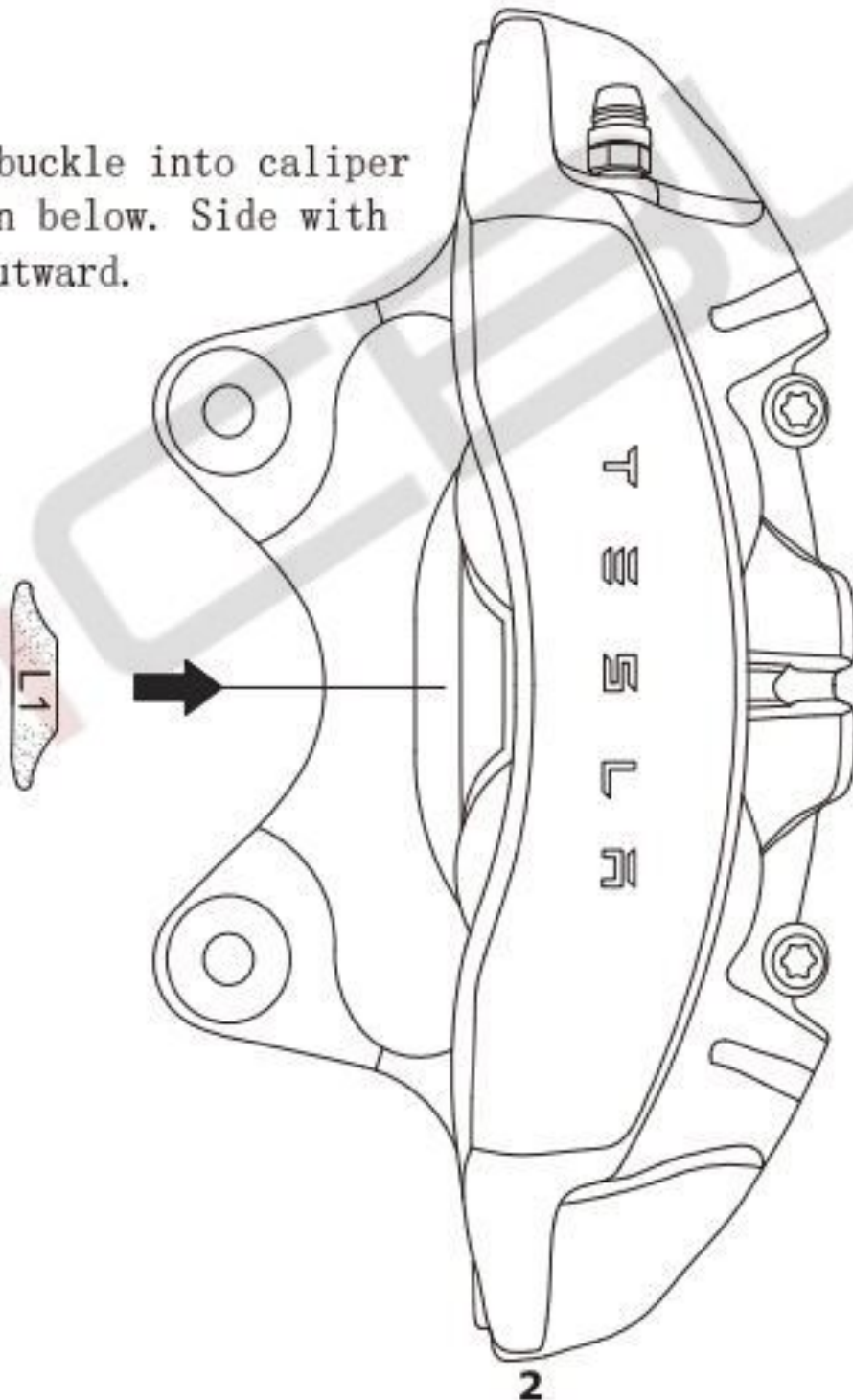


Front Left Caliper Cover Installation

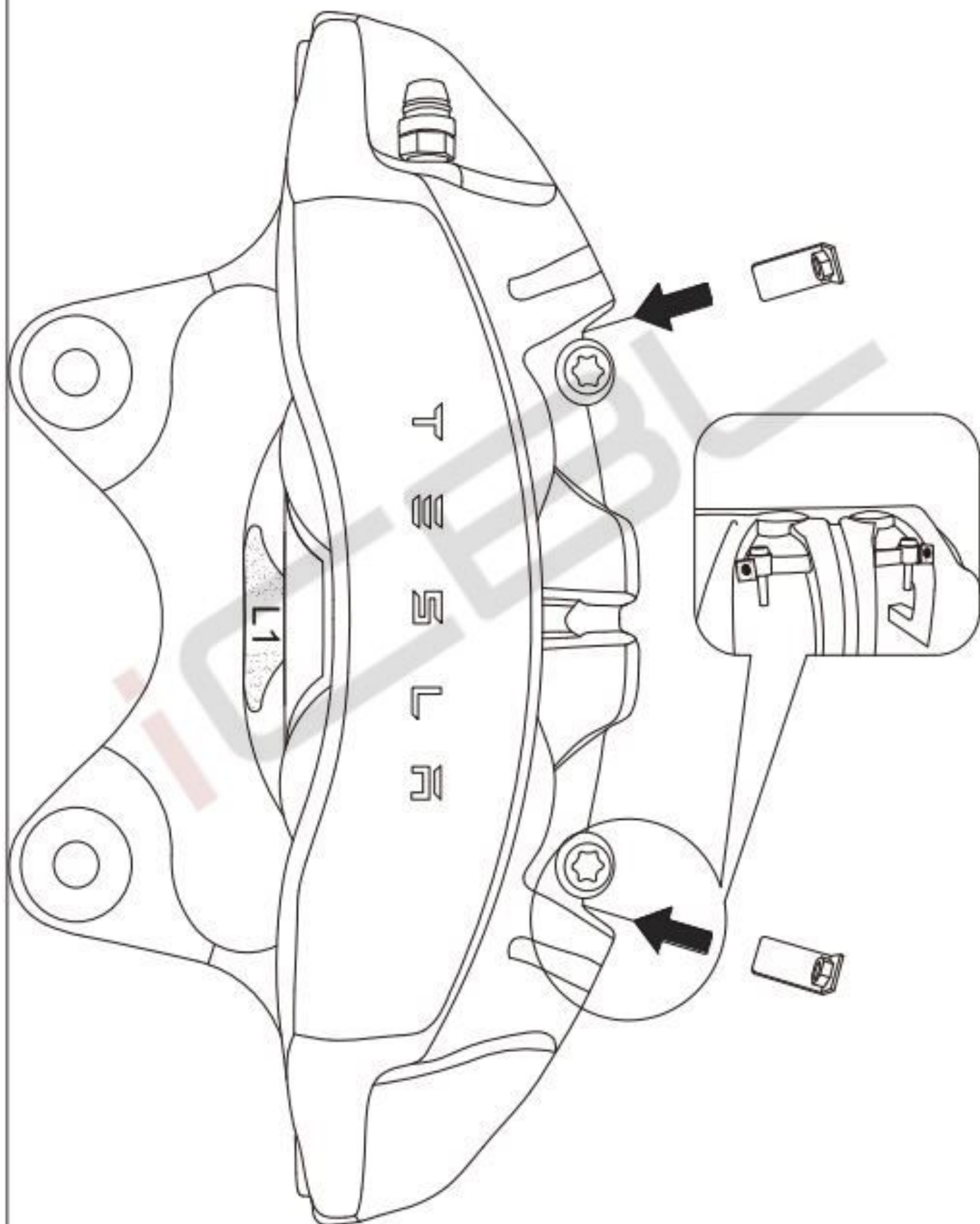


Step 1

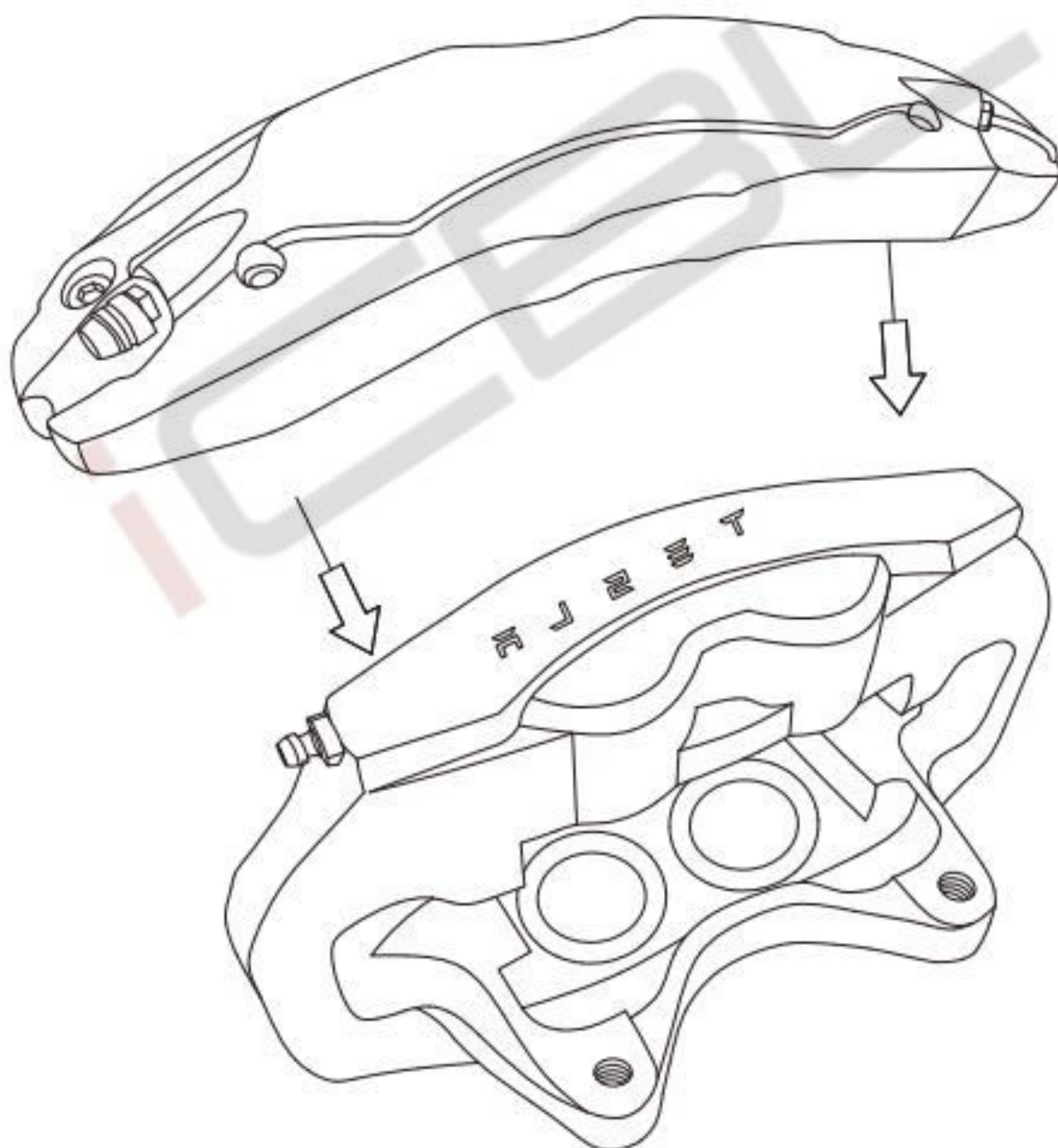
Put L1 buckle into caliper as shown below. Side with 'L1' outward.



Step 2 Put screw cap on caliper and align with screw hole on the caliper cover

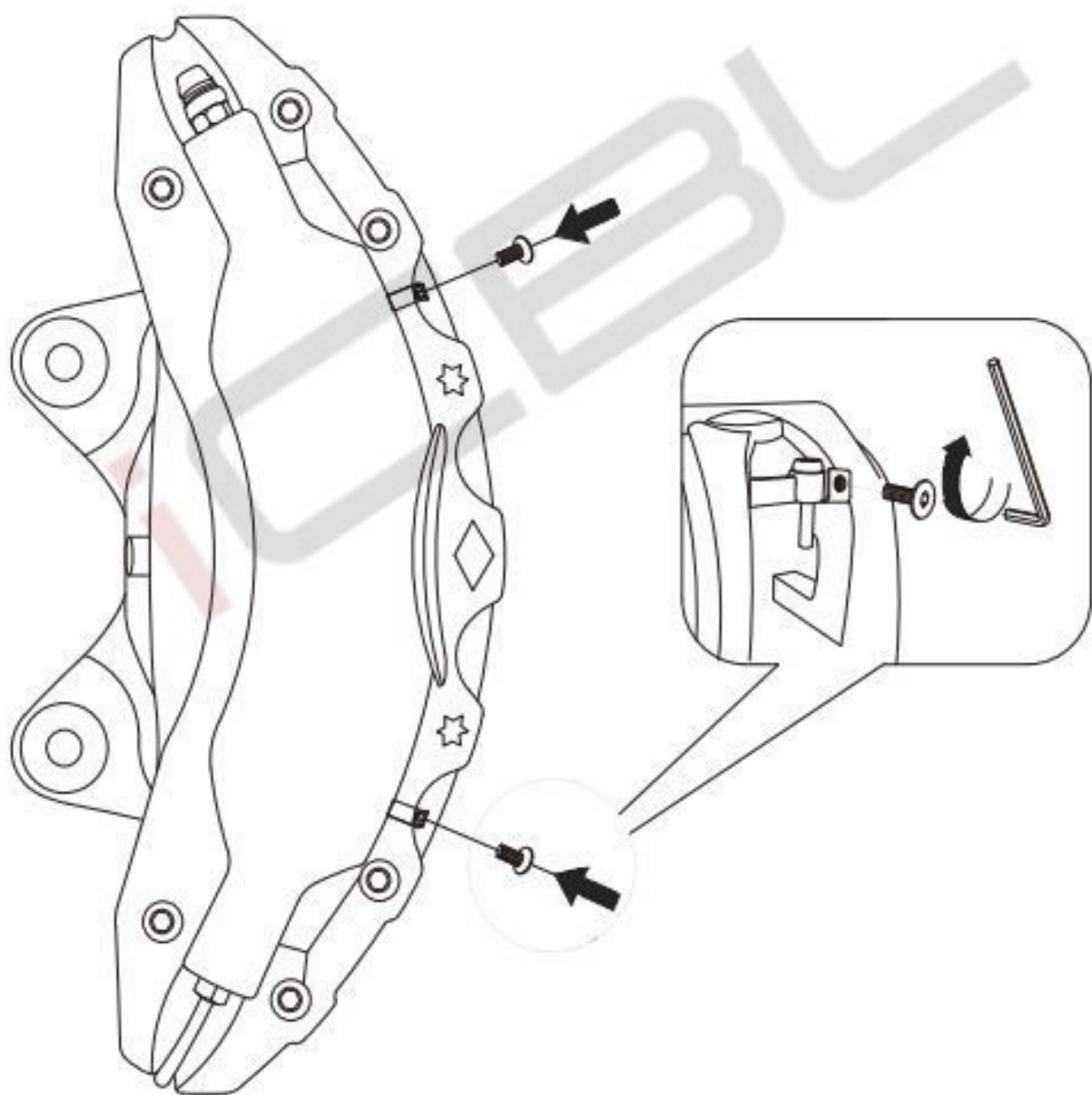


Step 3 Put caliper cover over the caliper.



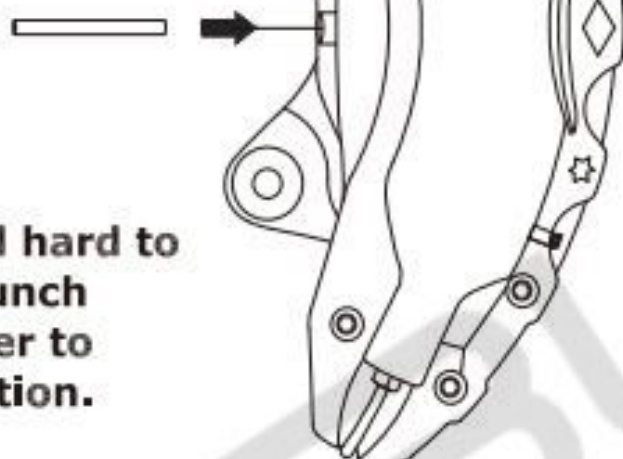
Step 4

Turning the screw



Step 5

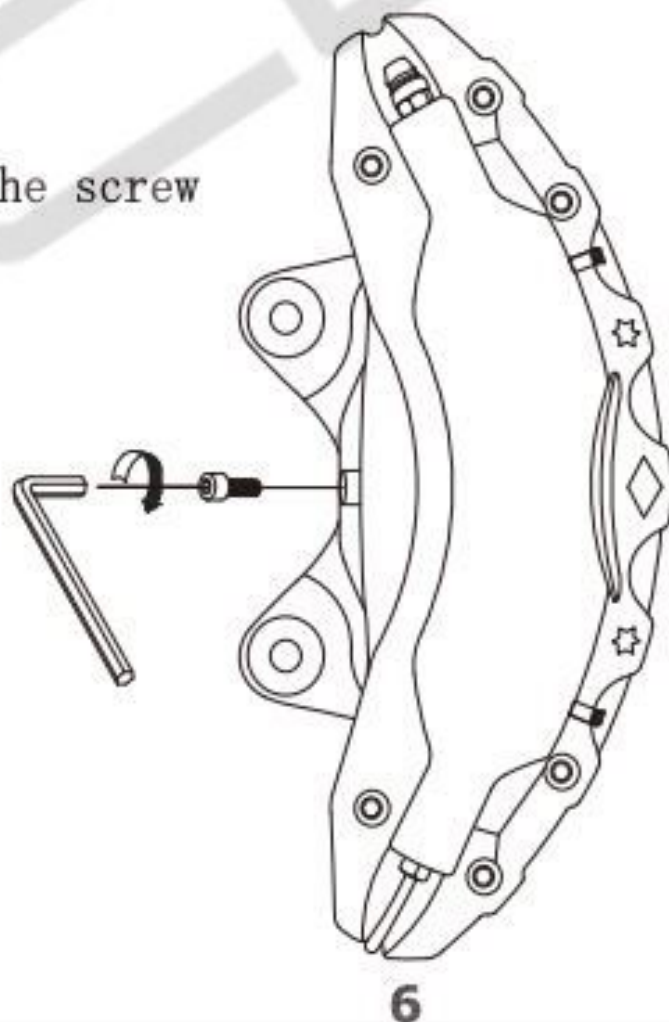
Insert circular column into screw hole to adjust L1 buckle aligning with screw hole of caliper cover.



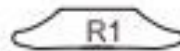
Tips: if you find hard to align, lightly punch the caliper cover to adjust the position.

Step 6

Turning the screw



Front Right Caliper Cover Installation



X1



X1



X1



X1



X2

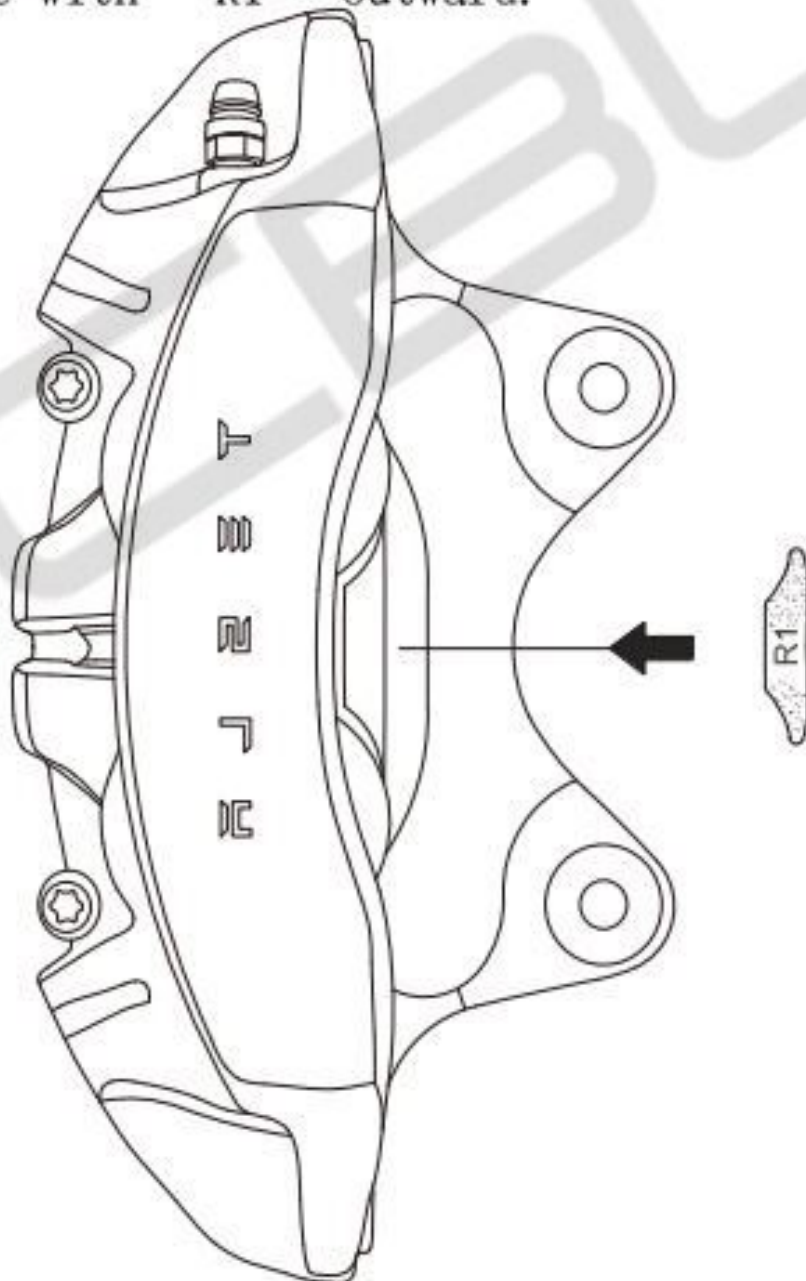


X2



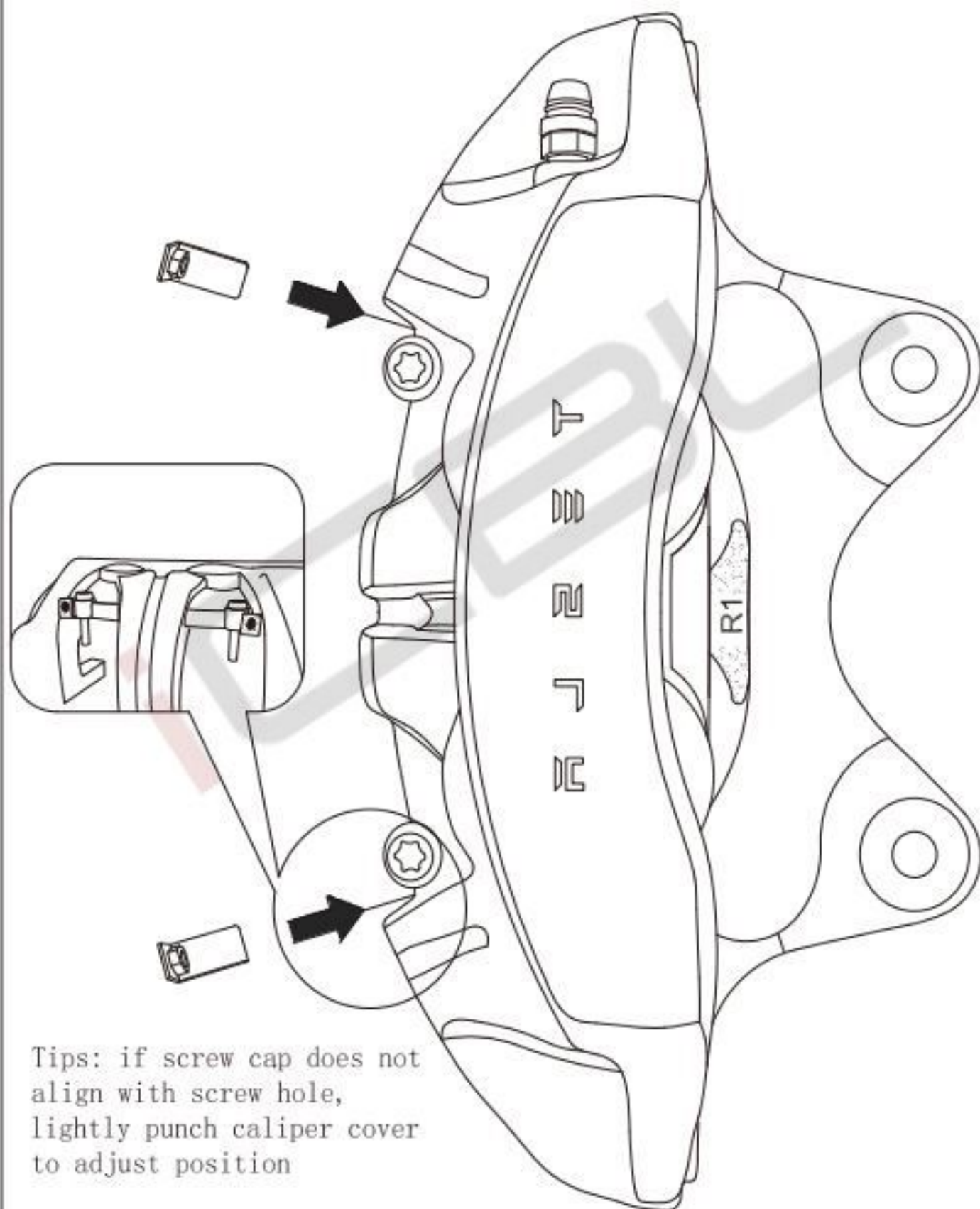
X1

Step 1 Put R1 buckle into caliper show as below,
Side with 'R1' outward.



Step 2

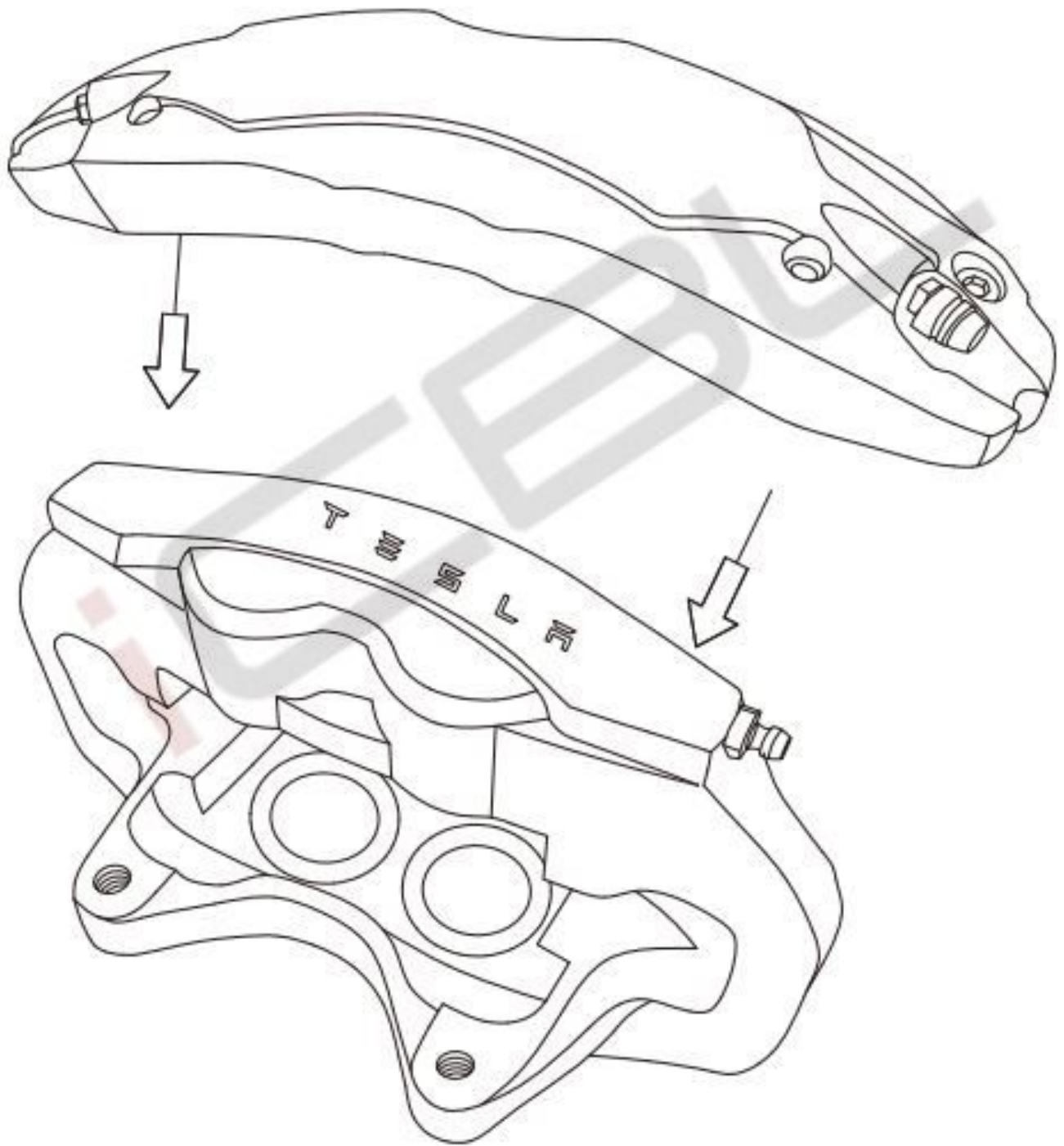
Put screw cap on caliper and align with screw hole on caliper cover



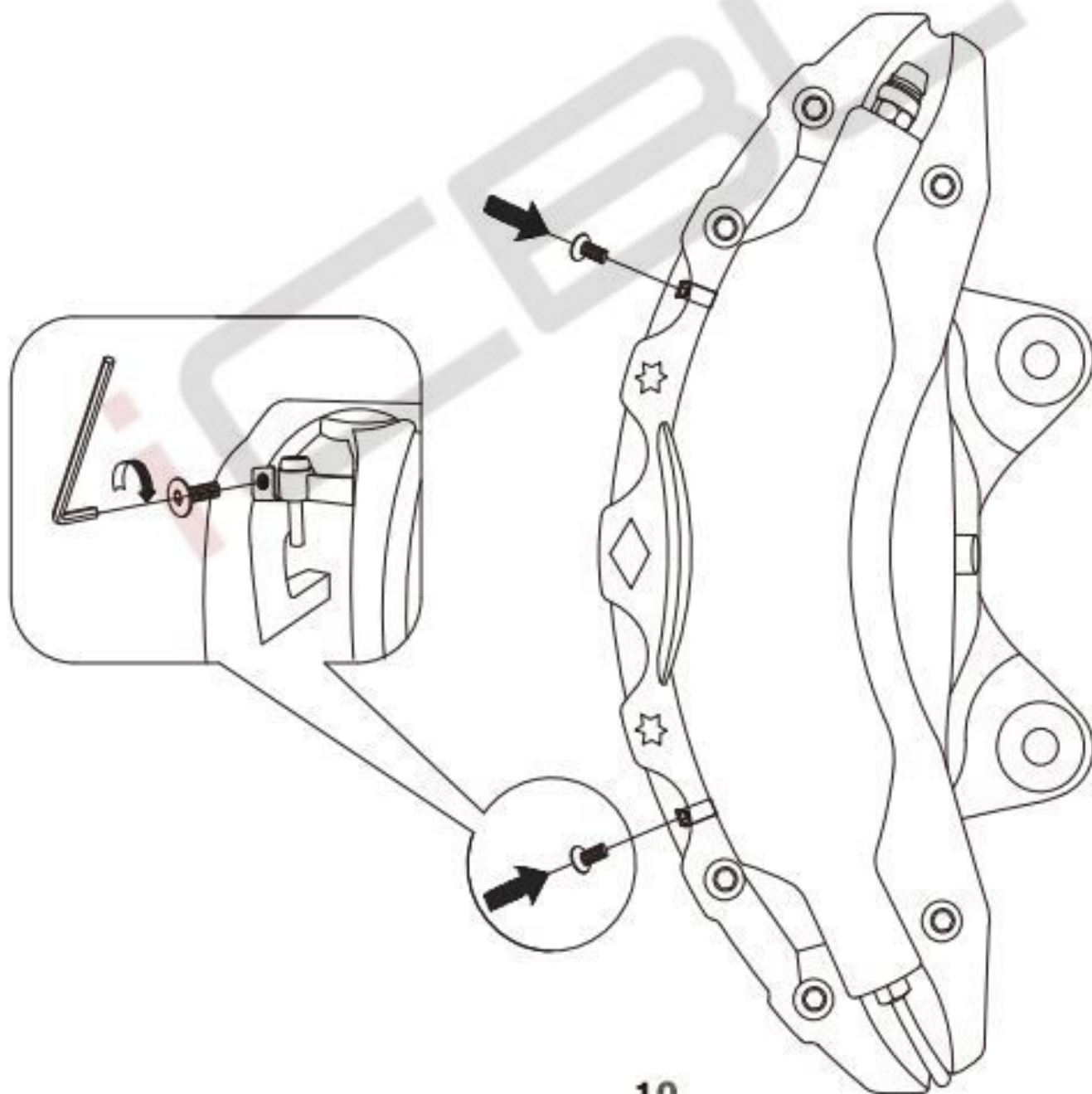
Tips: if screw cap does not align with screw hole, lightly punch caliper cover to adjust position

Step 3

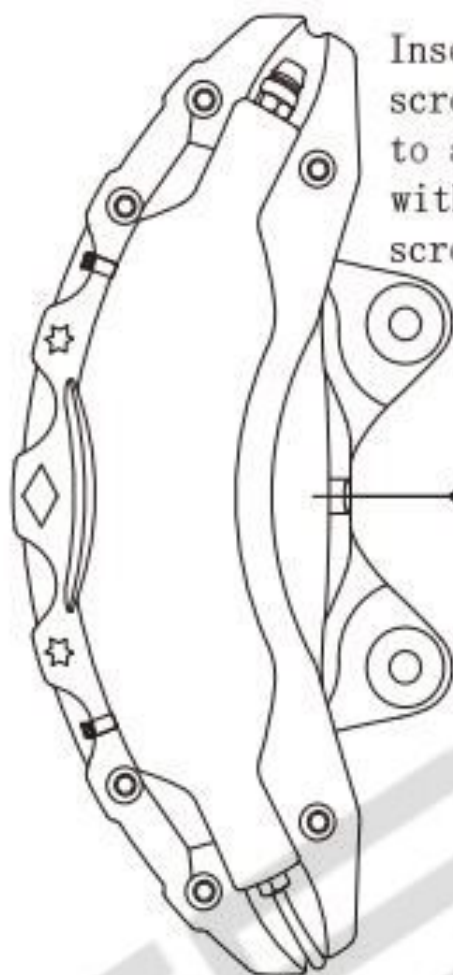
Put caliper cover over the caliper



Step 4 Turning the screw



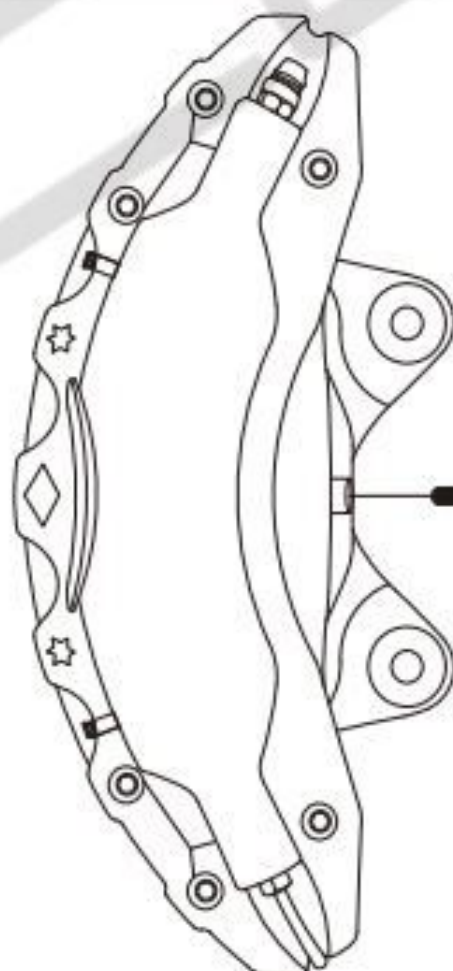
Step 5



Insert circular column into
screw hole
to adjust R1 buckle aligning
with
screw hole of caliper cover

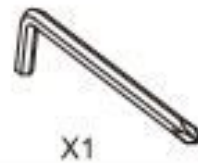
**Tips: if you find hard
to align, lightly punch
the caliper cover to
adjust the position**

Step 6



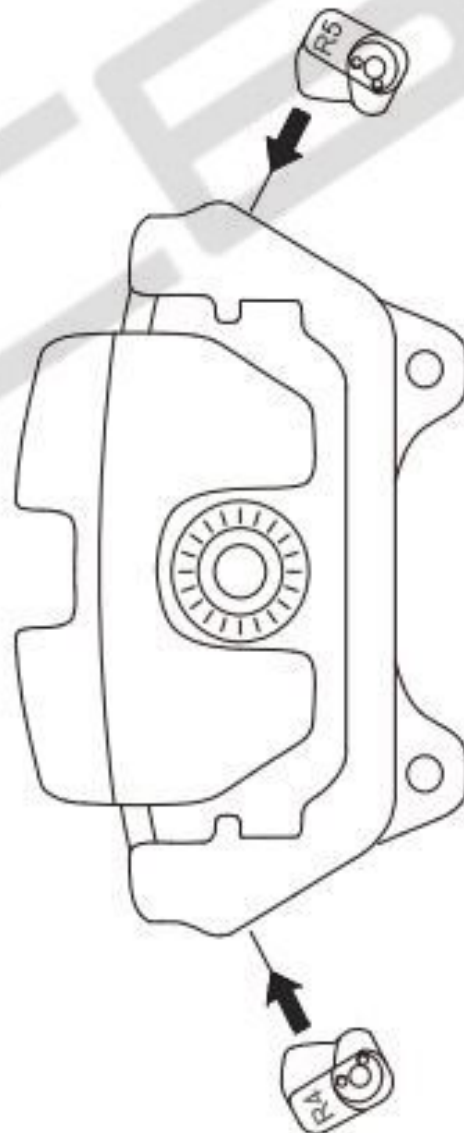
Turing the screw

Rare Right Caliper Cover Installtion



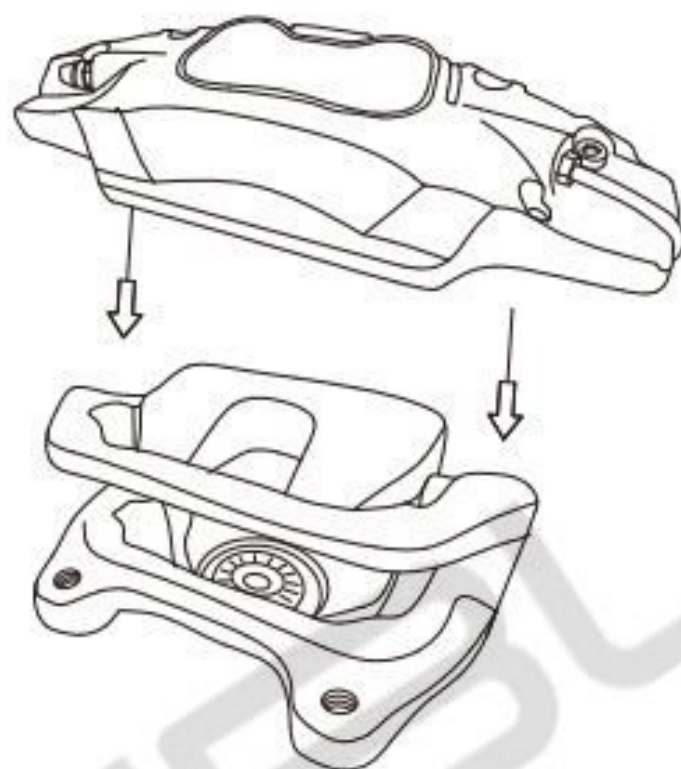
Step 1

Put R5, R4 buckles on the caliper shown as below, R5 is on the top, R4 is on the bottom of the caliper.



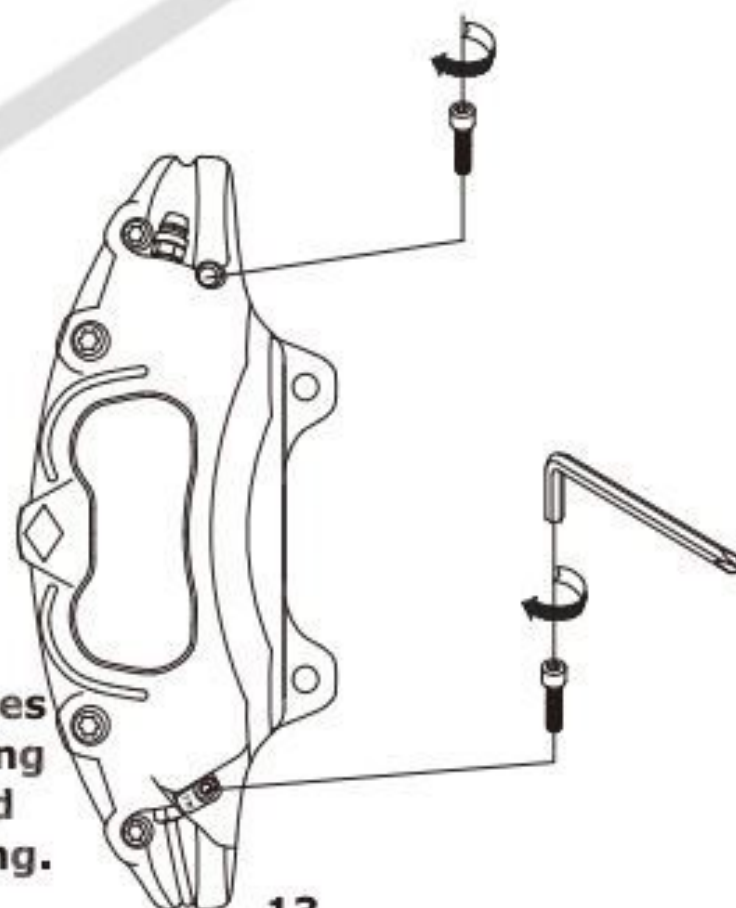
Step 2

Put caliper cover over the caliper



Step 3

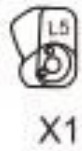
Insert screw into holes shown as below, aligning R5, R4 buckles and then turning the screw



Tips: fasten buckles firmly when turning the screw to avoid rotating and sliding.

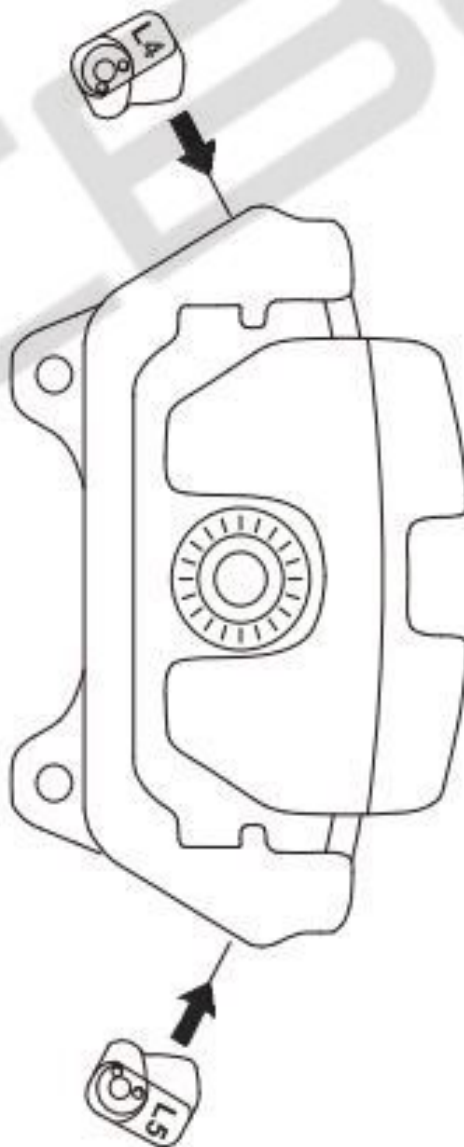
13

Rare Left Caliper Cover Installtion

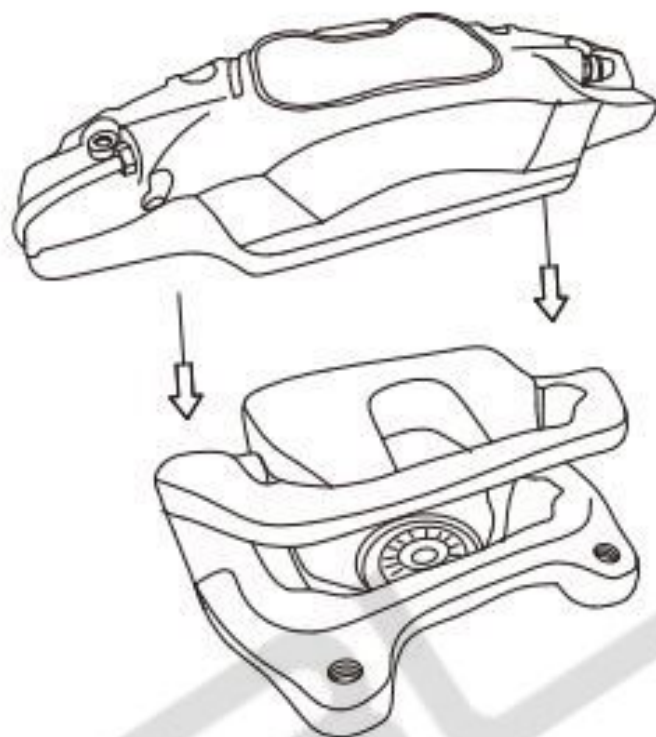


Step 1

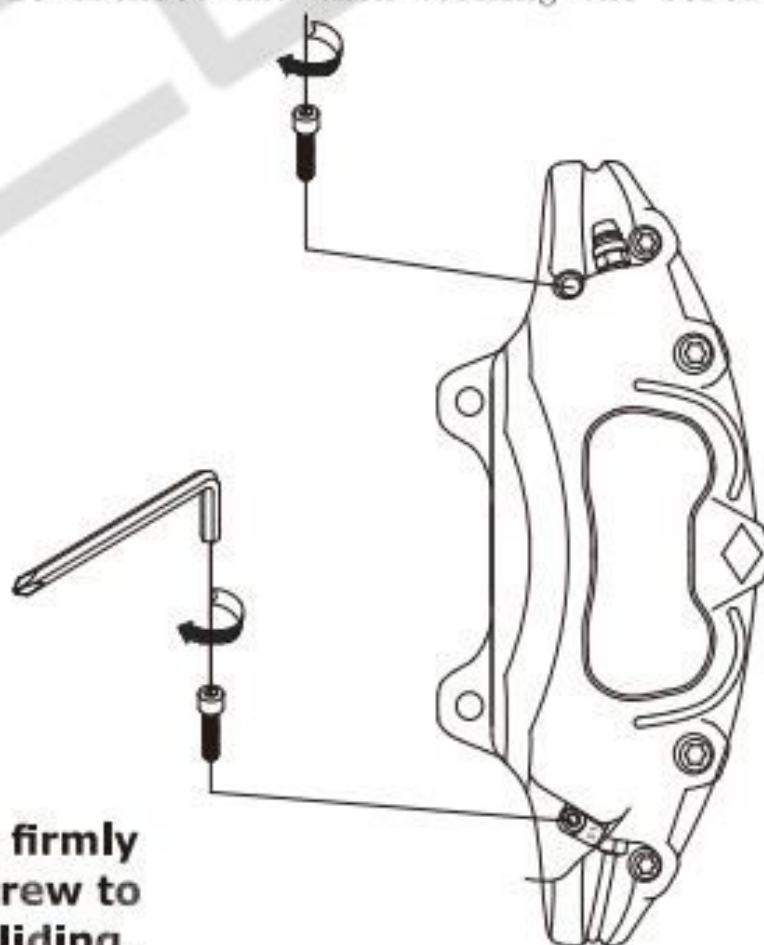
Put L4, L5 buckles on the caliper shown as below, L4 is on the top, L5 is on the bottom of the caliper.



Step 2 Put caliper cover over the caliper



Step 3 Insert screw into holes show as below, aligning L4, L5 buckles and then turning the screw.



Tips: fasten buckles firmly when turning the screw to avoid rotating and sliding.