



## Caliper Cover Installation Manual

# Model S/X

Please Check All Items Listed Below are included in the package.  
Contact us if anything is missing.



X1



X1



X4



X4



X2

①



X1



X1



X1



X1



X1



X1

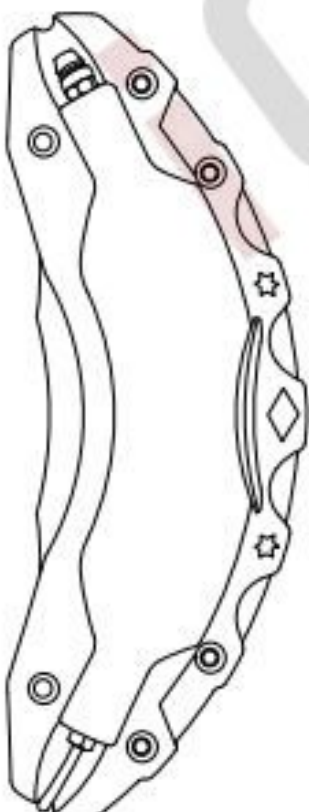


X4

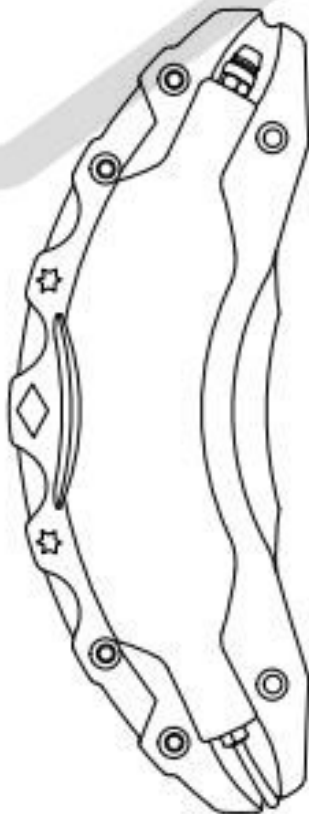
②



X1

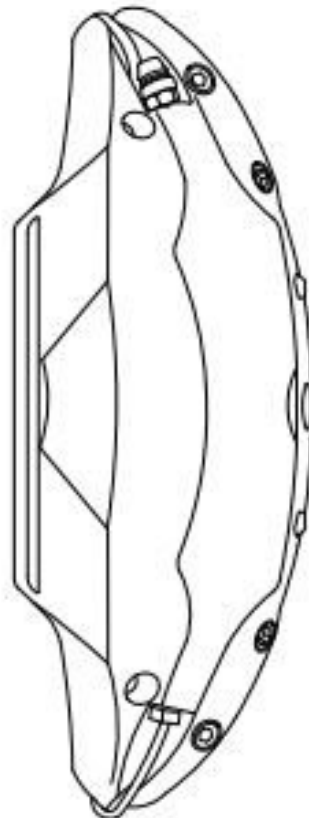


X1

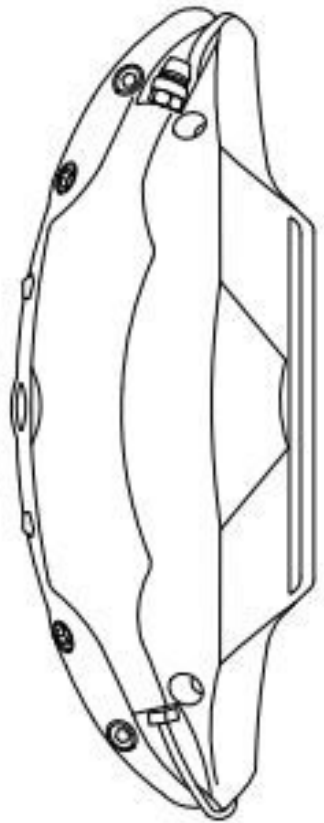


X1

1



X1



X1

## Model S/X Front Left Caliper Cover Installation



X1



X1



X2



X2



X2



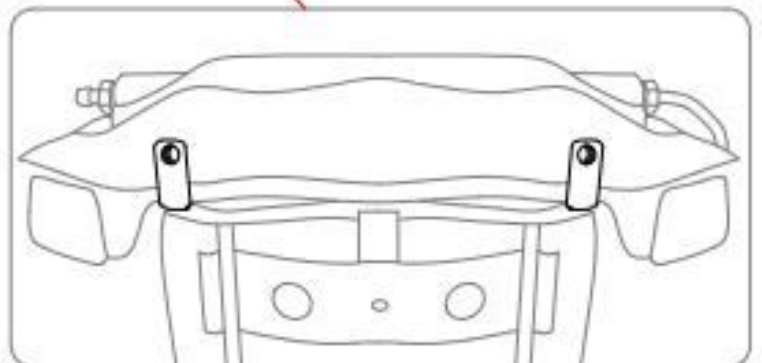
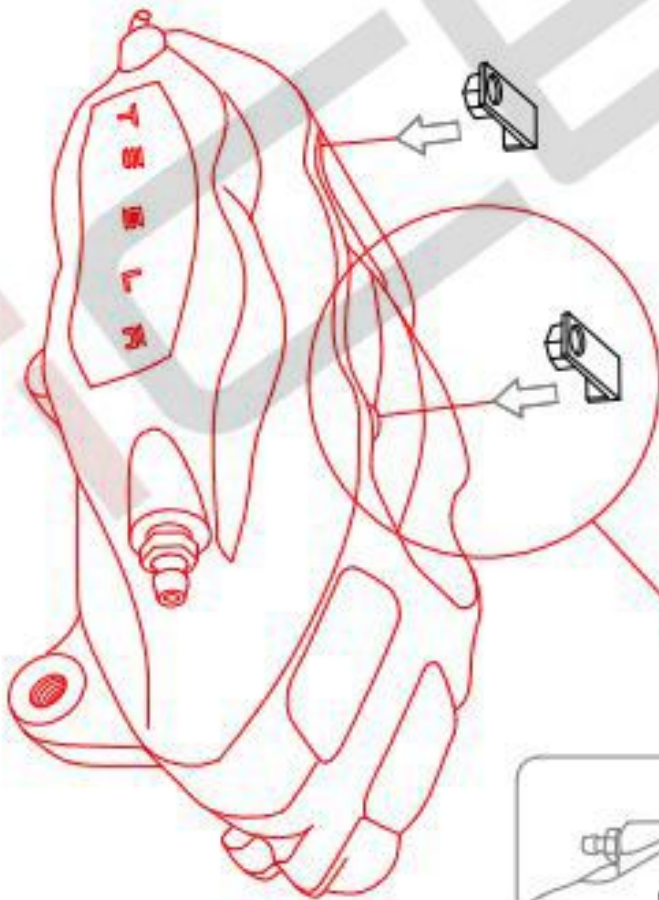
X1



X1

### Step 1

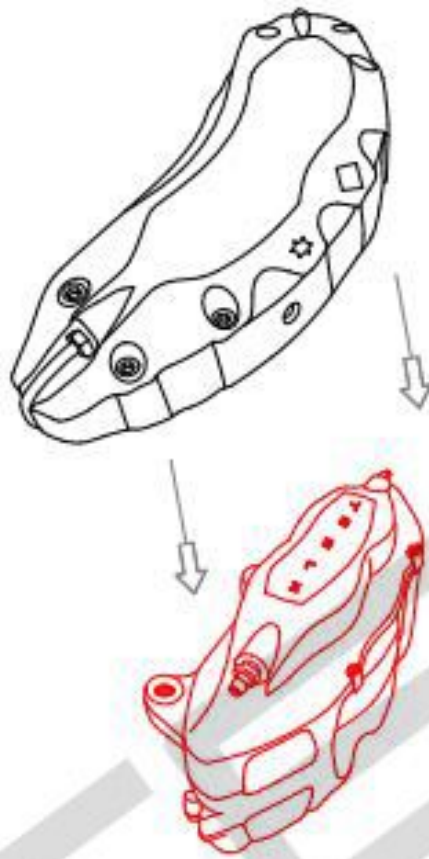
Place two screw cap on the caliper as the picture showing



2

## Step 2

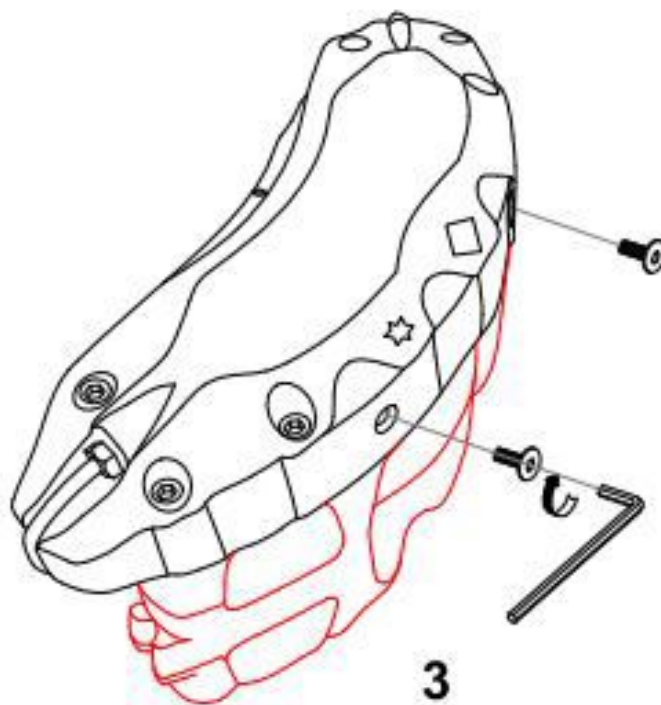
Put Caliper Cover on Caliper



---

## Step 3

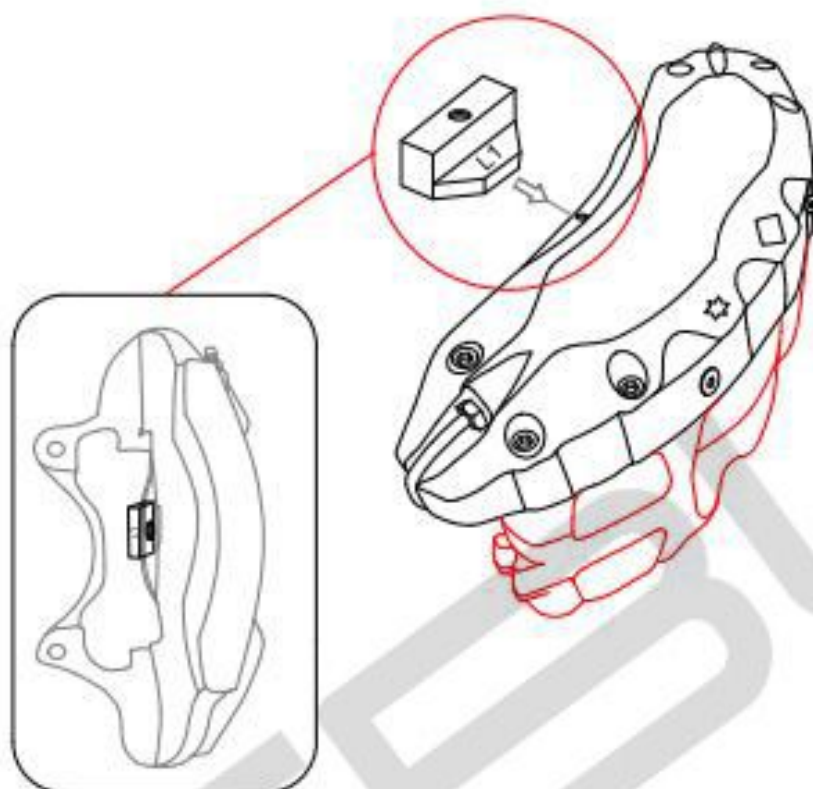
Insert the screw to align with the cap and turning the screw with spanner





## Step 4

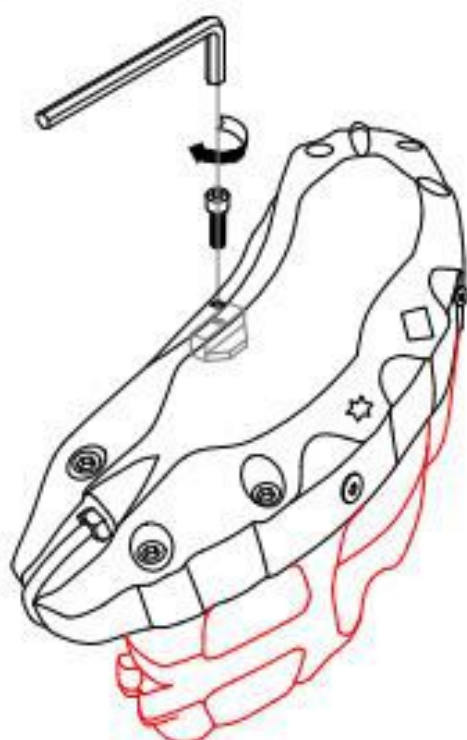
Insert L1 Buckle into the hole as picture showing



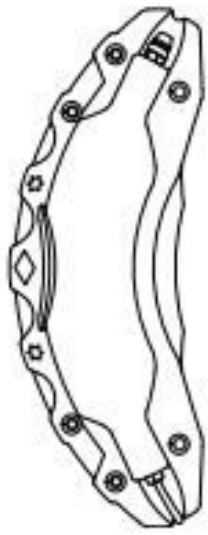
---

## Step 5

Insert show screw align with L1 buckle and turning screw firmly



## Model S/X Front Right Caliper Cover Installation



X1



X1



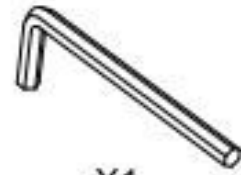
X2



X1



X2



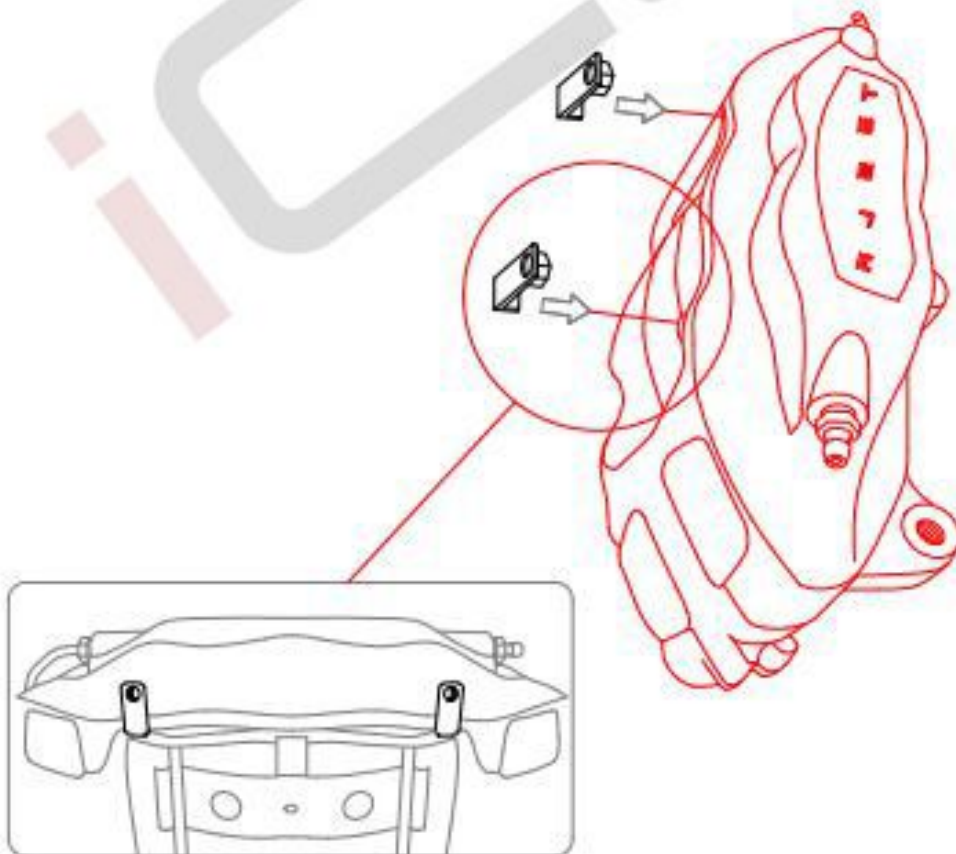
X1



X1

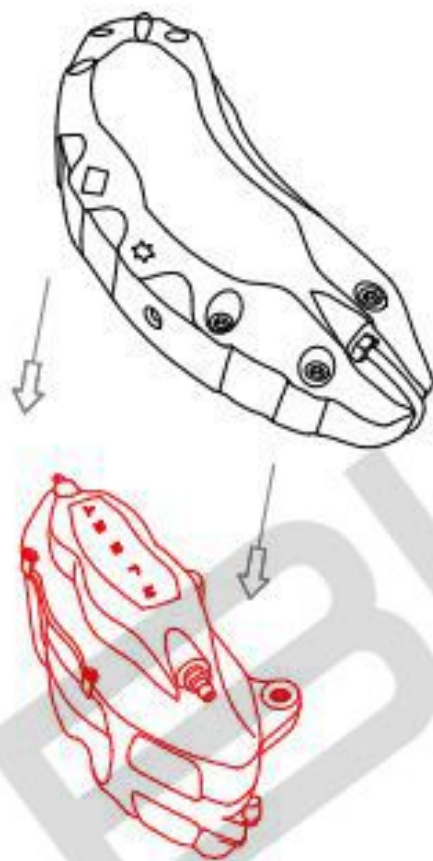
### Step 1

Place two screw cap on the caliper as the picture showing



## Step 2

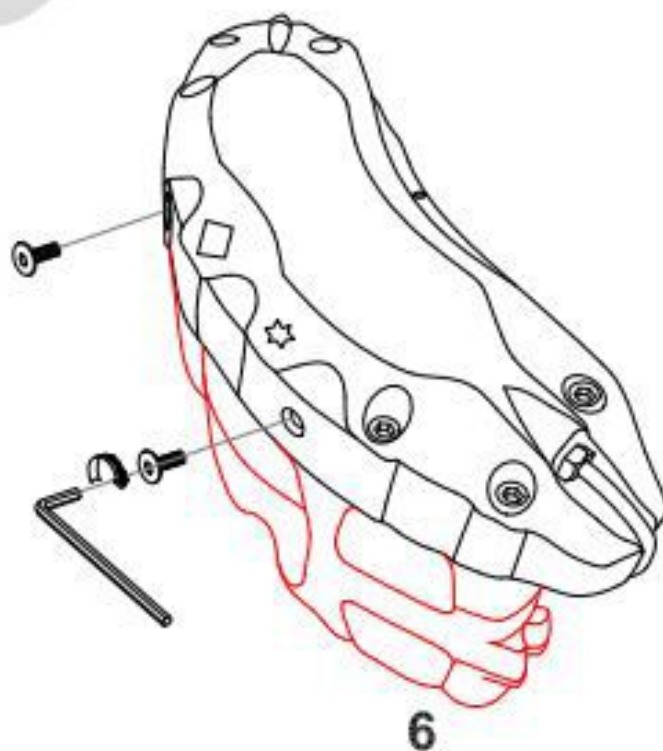
Put Caliper Cover on Caliper



---

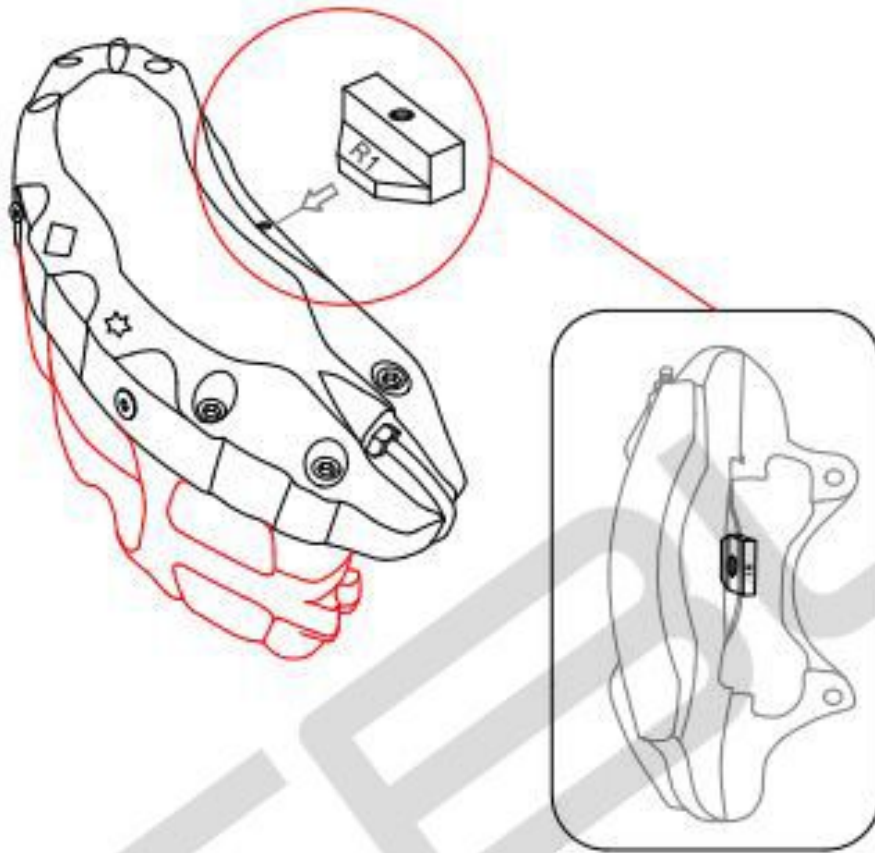
## Step 3

Insert the screw to align with the cap and turning the screw with spanner



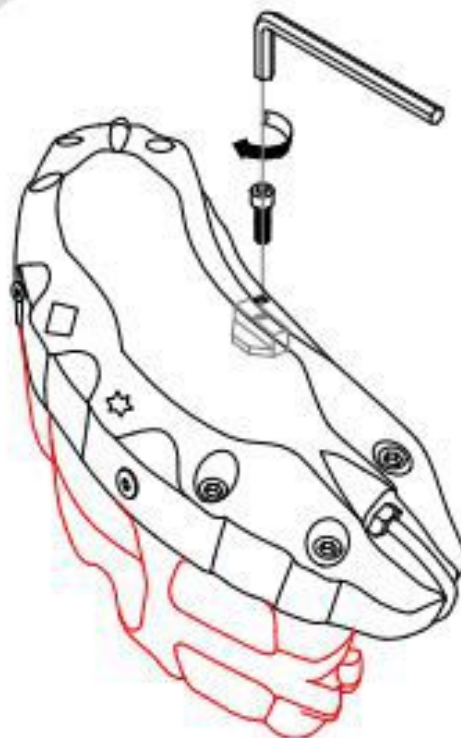
## Step 4

Insert R1 Buckle into the hole as picture showing



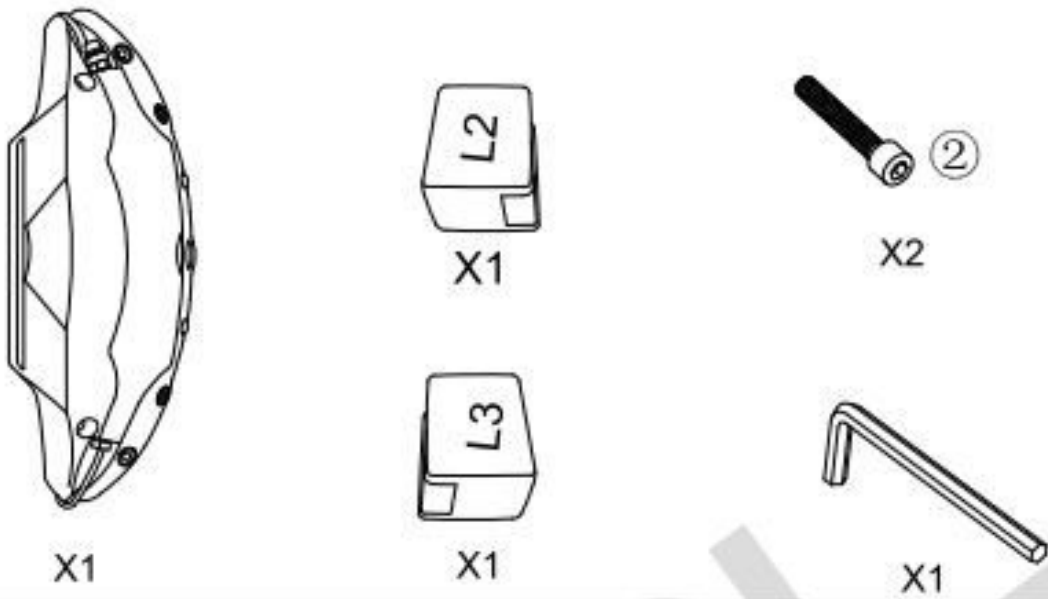
## Step 5

Insert show screw align with R1 buckle and turning screw firmly



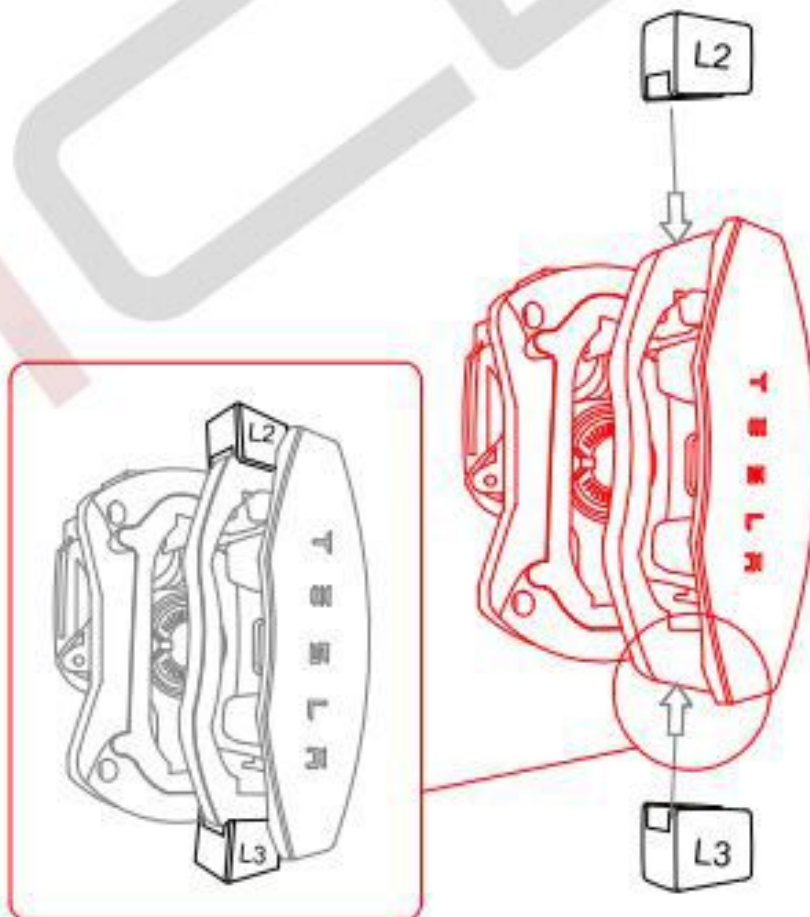


## Model S/X Rear Left Caliper Cover Installation



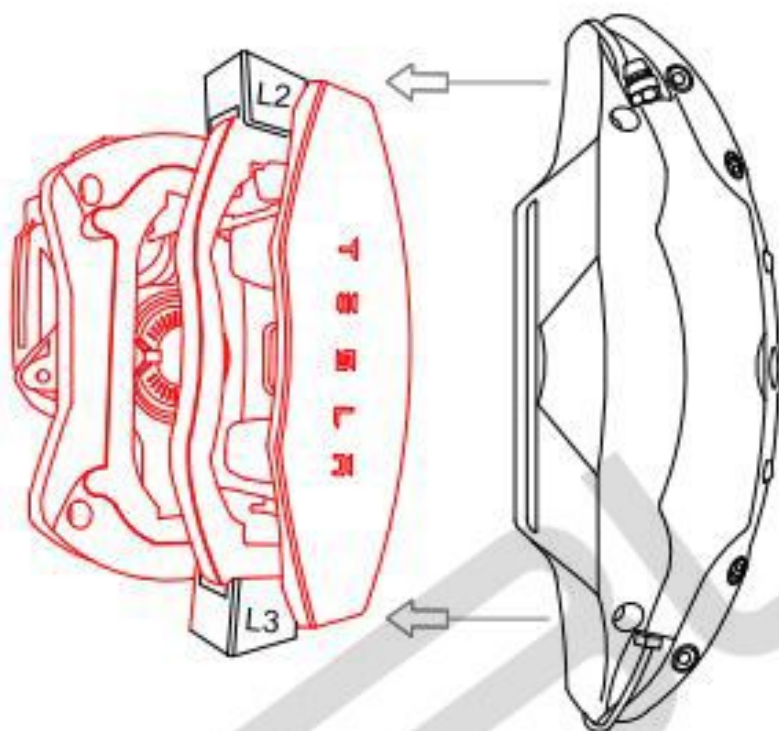
### Step 1

Put L2 buckle on the top of caliper. L3 buckle on the bottom of caliper



## Step 2

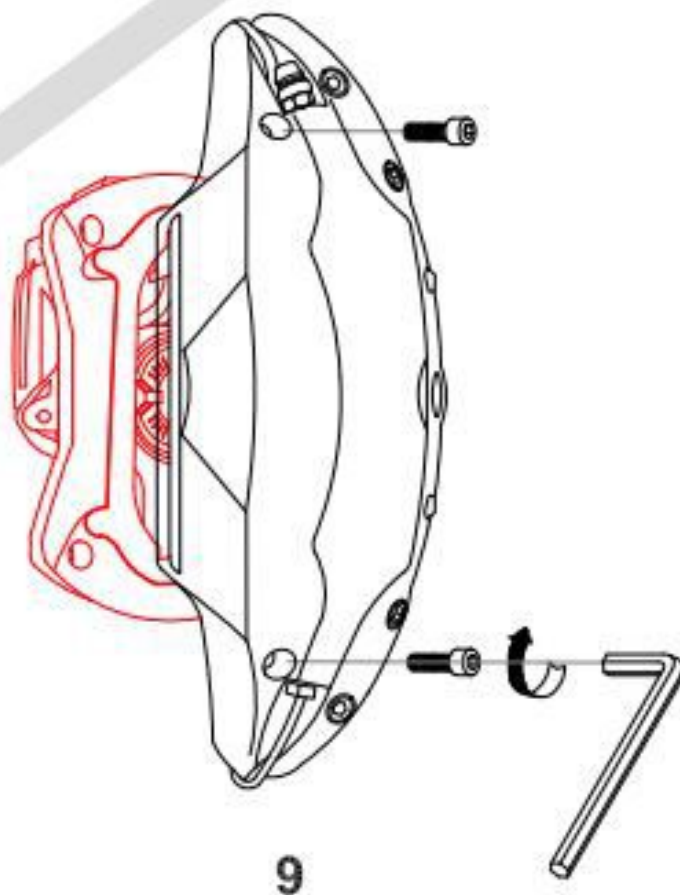
Put caliper cover on the caliper



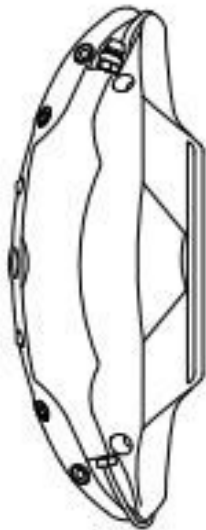
---

## Step 3

Insert long screw align with L2 L3 buckles and turning the screw firmly with spanner



## Model S/X Rear Right Caliper Cover Installation



X1



X1



X1



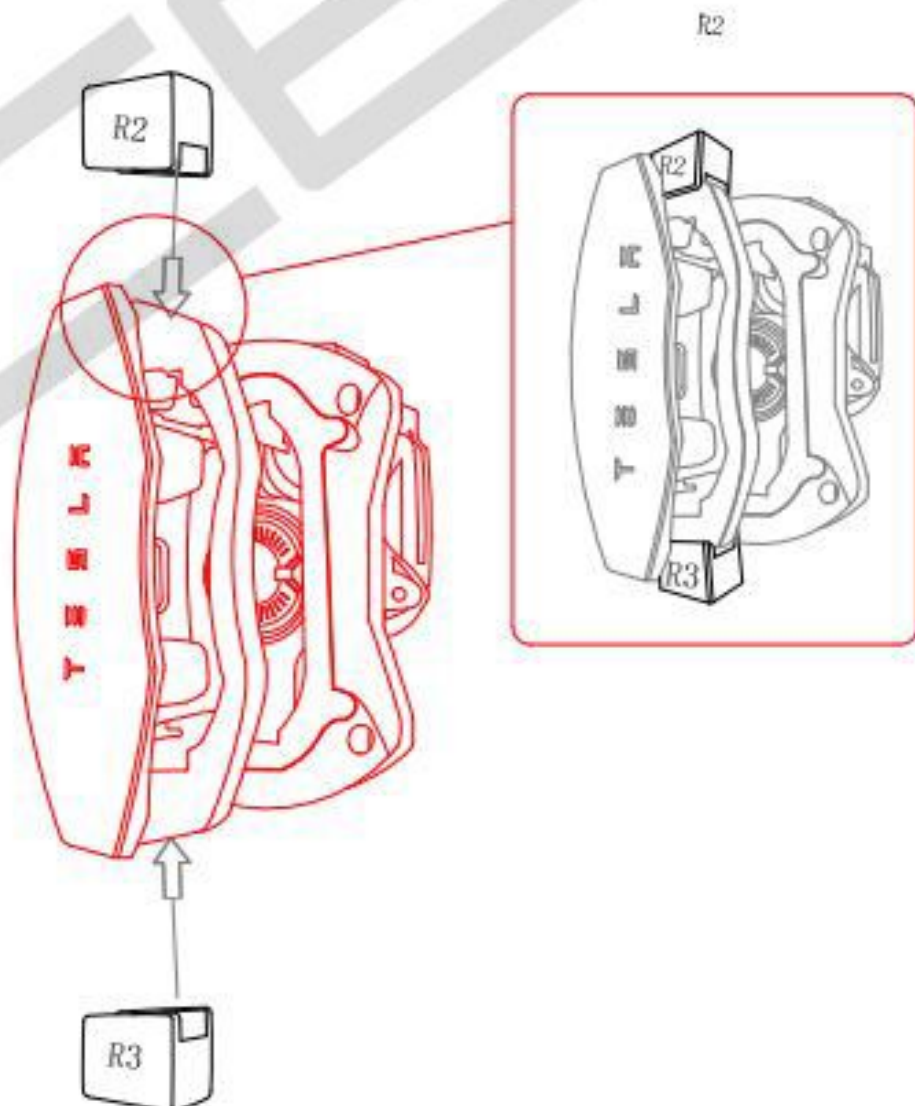
X2



X1

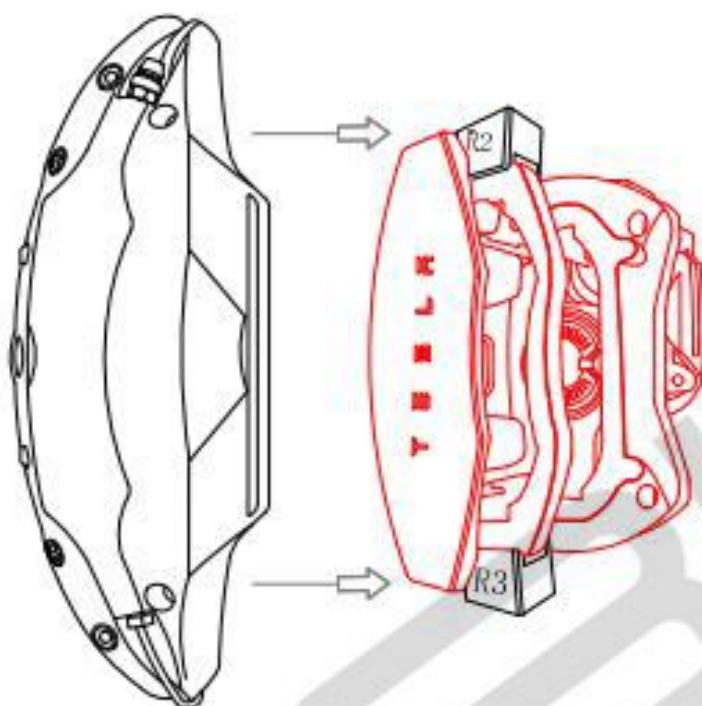
### Step 1

Put R2 buckle on the top of caliper, R3 buckle on the bottom of caliper



## Step 2

Put caliper cover on the caliper



---

## Step 3

Insert long screw align with R2 R3 buckles  
and turning the screw firmly with spanner

